



US00D766710S

(12) **United States Design Patent** (10) **Patent No.:** **US D766,710 S**
Cox (45) **Date of Patent:** **** Sep. 20, 2016**

(54) **FENCE HANGER**
(71) Applicant: **Garrie Stephen Cox**, Eureka, CA (US)
(72) Inventor: **Garrie Stephen Cox**, Eureka, CA (US)
(**) Term: **15 Years**
(21) Appl. No.: **29/529,705**
(22) Filed: **Jun. 10, 2015**
(51) **LOC (10) Cl.** **08-08**
(52) **U.S. Cl.**
USPC **D8/387; D8/373**
(58) **Field of Classification Search**
USPC D8/71, 349, 354, 367, 373, 380, 382,
D8/384, 387, 388, 499
CPC A47G 7/00; A47G 7/02; A47G 7/044;
A47G 7/045; A47G 7/047; F16M 13/02
See application file for complete search history.

D251,579 S 4/1979 Calgaro
D258,330 S 2/1981 Bosley
D271,258 S 11/1983 Gyebnar
D271,831 S 12/1983 McGain
5,009,380 A * 4/1991 Fee F16M 13/022
248/214
D348,215 S * 6/1994 Melhorn D22/108
5,649,682 A 7/1997 Martin
D392,487 S 3/1998 Cambron
D406,978 S 3/1999 Cox
D536,598 S * 2/2007 Livacich D8/349
D538,629 S * 3/2007 Livacich D8/349
D611,803 S * 3/2010 Lien D8/370
2014/0231606 A1* 8/2014 Sobb A47F 5/0823
248/224.8

* cited by examiner

Primary Examiner — Ian Simmons
Assistant Examiner — Ieisha Price
(74) *Attorney, Agent, or Firm* — Pierson IP, PLLC

(57) **CLAIM**
The ornamental design for a fence hanger, as shown and described.

(56) **References Cited**

U.S. PATENT DOCUMENTS

102,945 A * 5/1870 Judd A47G 25/0607
248/547
288,058 A * 11/1883 Hollister A47G 7/044
211/87.01
D57,135 S * 2/1921 Klicpera D8/387
1,922,935 A 8/1933 Hilyer
2,136,279 A * 11/1938 De Vilbiss A47G 7/041
248/153
3,018,898 A * 1/1962 Frazelle A47B 96/1425
211/107
3,127,144 A * 3/1964 Warner A47G 7/044
248/218.2
D227,393 S * 6/1973 Bickham D34/35

DESCRIPTION

FIG. 1 is a top perspective view of a fence hanger showing our new design thereof;
FIG. 2 is a side view of the fence hanger shown in FIG. 1; and,
FIG. 3 is side view of the fence hanger, with environmental structures, shown in FIG. 1.
The broken lines shown in FIG. 3 represents the environment of the claimed design and forms no part thereof.

1 Claim, 2 Drawing Sheets

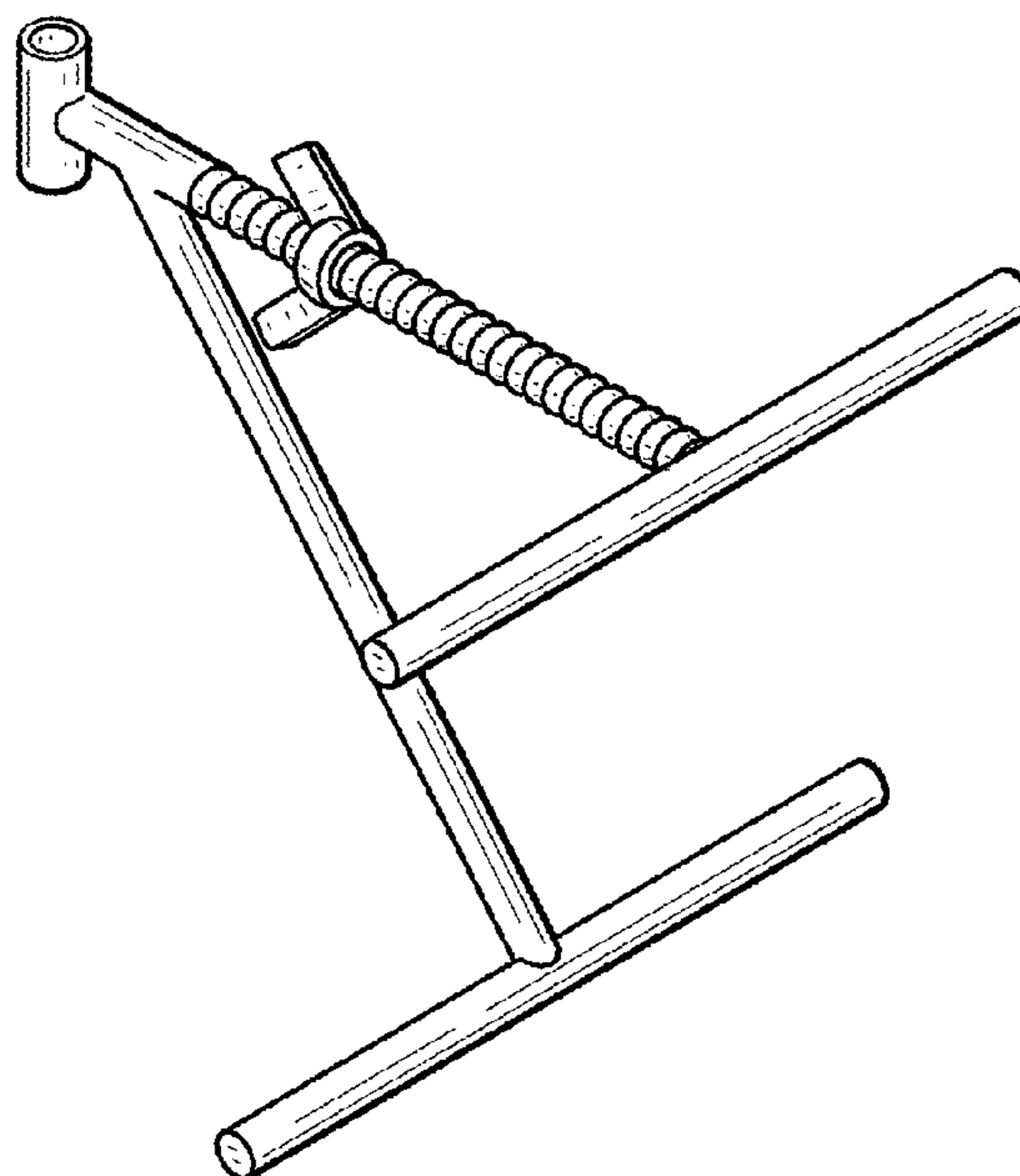


FIG. 1

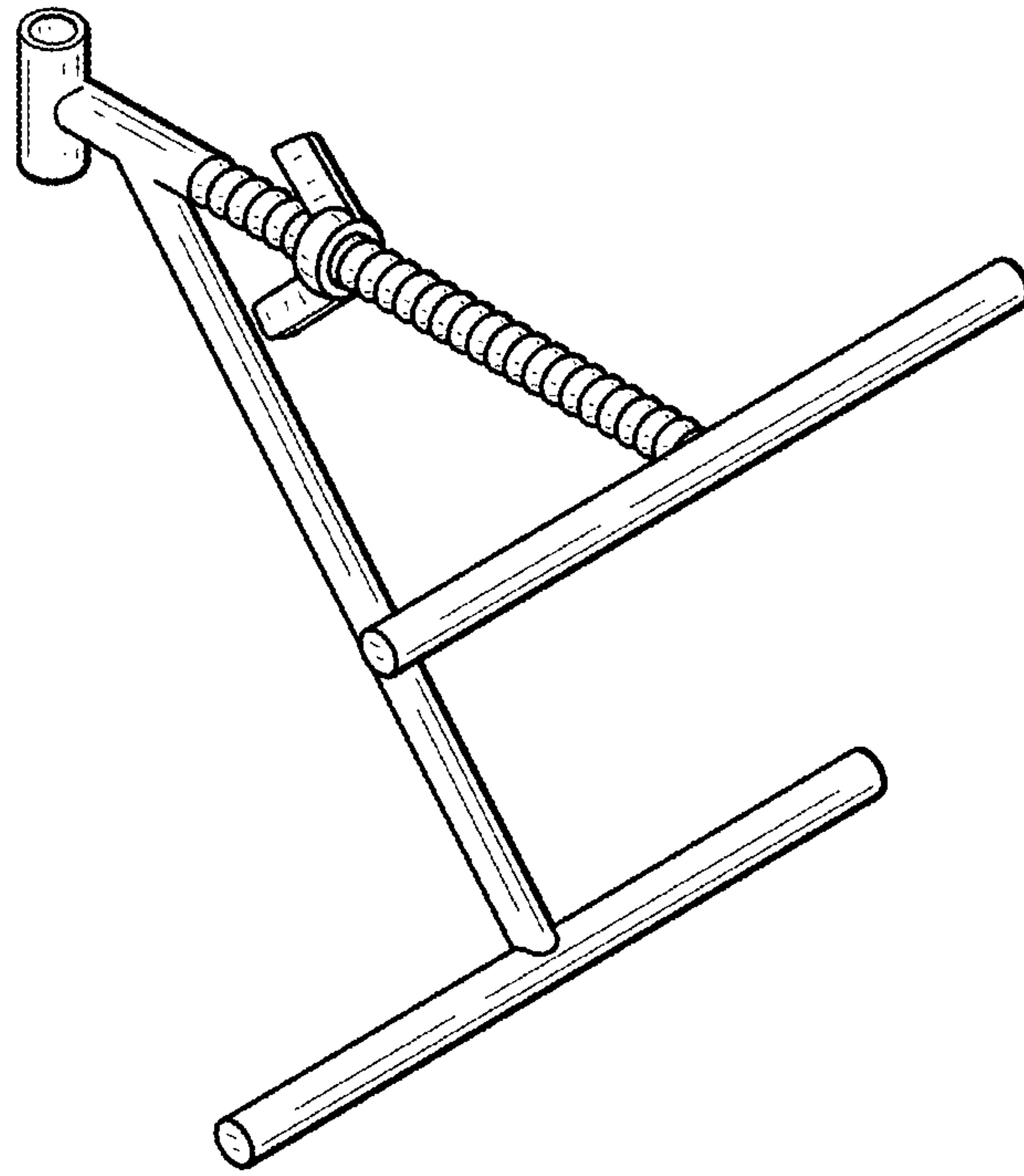


FIG. 2

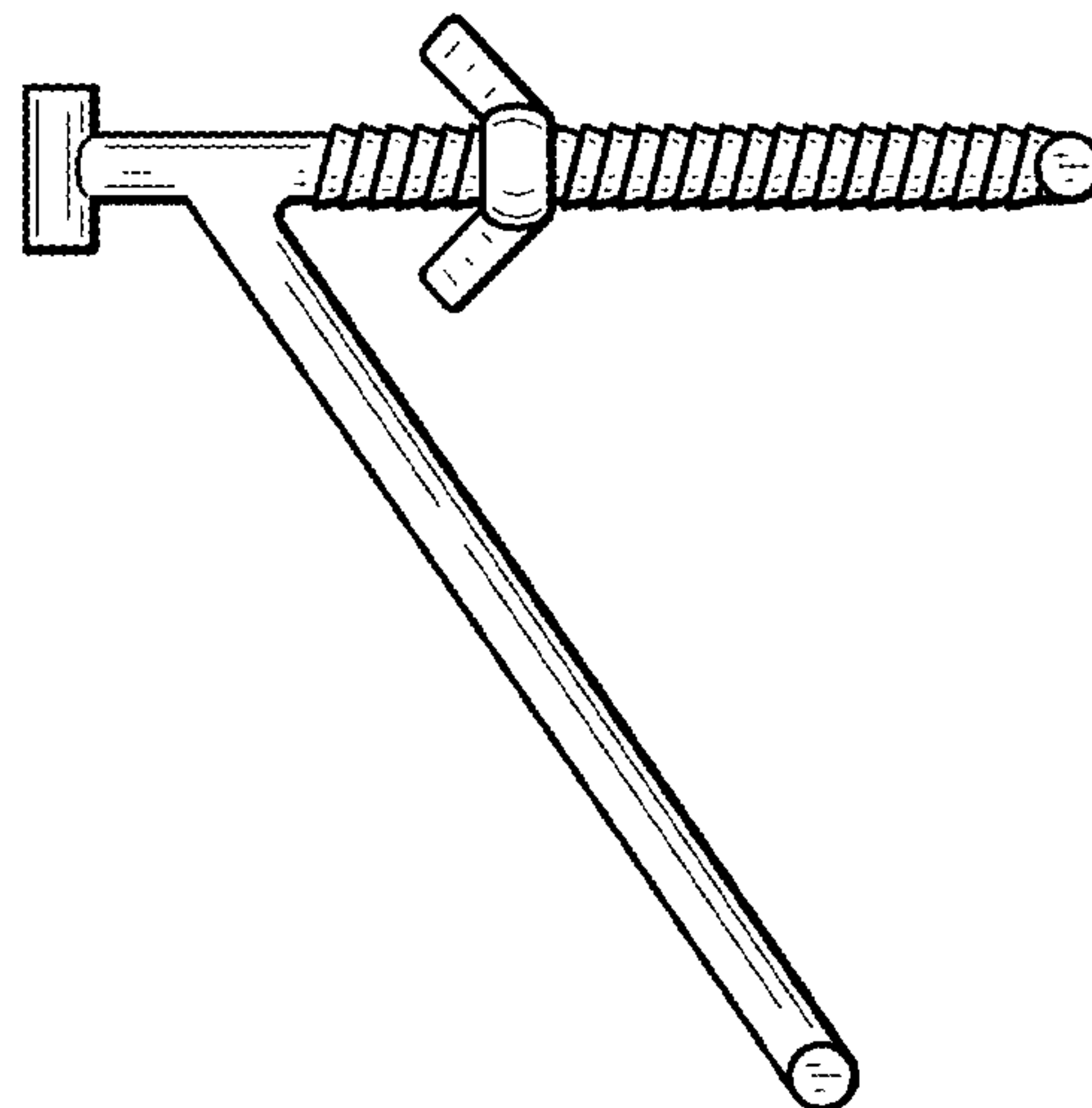


FIG. 3

