

US00D766707S

(12) **United States Design Patent**  
**Greenleaf**

(10) **Patent No.:** **US D766,707 S**

(45) **Date of Patent:** **\*\* Sep. 20, 2016**

(54) **TRIGGER RELEASE LOCKING HANDLINE HOOK**

(71) Applicant: **Alan R. Greenleaf**, Cleveland, OH (US)

(72) Inventor: **Alan R. Greenleaf**, Cleveland, OH (US)

(\*\*) Term: **14 Years**

(21) Appl. No.: **29/469,518**

(22) Filed: **Oct. 10, 2013**

(51) **LOC (10) Cl.** ..... **08-05**

(52) **U.S. Cl.**  
USPC ..... **D8/367**

(58) **Field of Classification Search**  
USPC ..... D8/367, 356, 371, 373, 354, 355, 349;  
D6/323; D3/24; 248/215, 301, 339,  
248/349.1; 160/349.2; 24/265 H, 265 R,  
24/599.1, 599.8, 113 R, 573.5; 294/82.18;  
29/525.1, 45.3; 223/106; D14/432,  
D14/140, 217  
CPC ..... A45F 3/00; A63B 27/00  
See application file for complete search history.

(56) **References Cited**

U.S. PATENT DOCUMENTS

1,007,843	A *	11/1911	Botsford	.....	248/218.4
1,251,226	A *	12/1917	Hales	.....	24/26
2,100,526	A *	11/1937	Still et al.	.....	24/26
5,014,473	A *	5/1991	Kelly et al.	.....	52/125.5
5,170,536	A *	12/1992	McBroom	.....	242/388.2
5,575,446	A *	11/1996	Swenson et al.	.....	248/304
5,630,257	A *	5/1997	Brody et al.	.....	24/300
D408,764	S *	4/1999	Graber	.....	D12/115
D432,001	S *	10/2000	Taylor	.....	D8/356

D524,636	S *	7/2006	Burnett	.....	D8/370
D560,924	S *	2/2008	Walker	.....	D6/673
D569,071	S *	5/2008	Scott et al.	.....	D34/35
7,475,859	B2 *	1/2009	Selders	.....	248/304
D600,102	S *	9/2009	Larkin	.....	D8/370
D628,873	S *	12/2010	Kelleghan	.....	D8/356
D631,333	S *	1/2011	Bauer et al.	.....	D8/367
D642,896	S *	8/2011	Buras et al.	.....	D8/356
D648,208	S *	11/2011	Platt	.....	D8/367
D652,710	S *	1/2012	Yokota et al.	.....	D8/356
D657,658	S *	4/2012	Jones	.....	D8/354
D658,485	S *	5/2012	Wall	.....	D8/354
D665,709	S *	8/2012	Longfellow et al.	.....	D12/115
D694,613	S *	12/2013	Miles	.....	D8/367
D700,042	S *	2/2014	Cobianco	.....	D8/367
D714,626	S *	10/2014	Trifari, Jr.	.....	D8/382
D721,264	S *	1/2015	Babicki	.....	D8/367
D724,413	S *	3/2015	Hamilton	.....	D8/356

\* cited by examiner

*Primary Examiner* — Cynthia Underwood

(74) *Attorney, Agent, or Firm* — John D Gugliotta

(57) **CLAIM**

The ornamental design for a trigger release locking handline hook, as shown and described.

**DESCRIPTION**

FIG. 1 is a side perspective view of a trigger release locking handline hook showing my new design.

FIG. 2 is a lower front perspective view thereof shown in an alternate position of use;

FIG. 3 is a rear elevational view thereof;

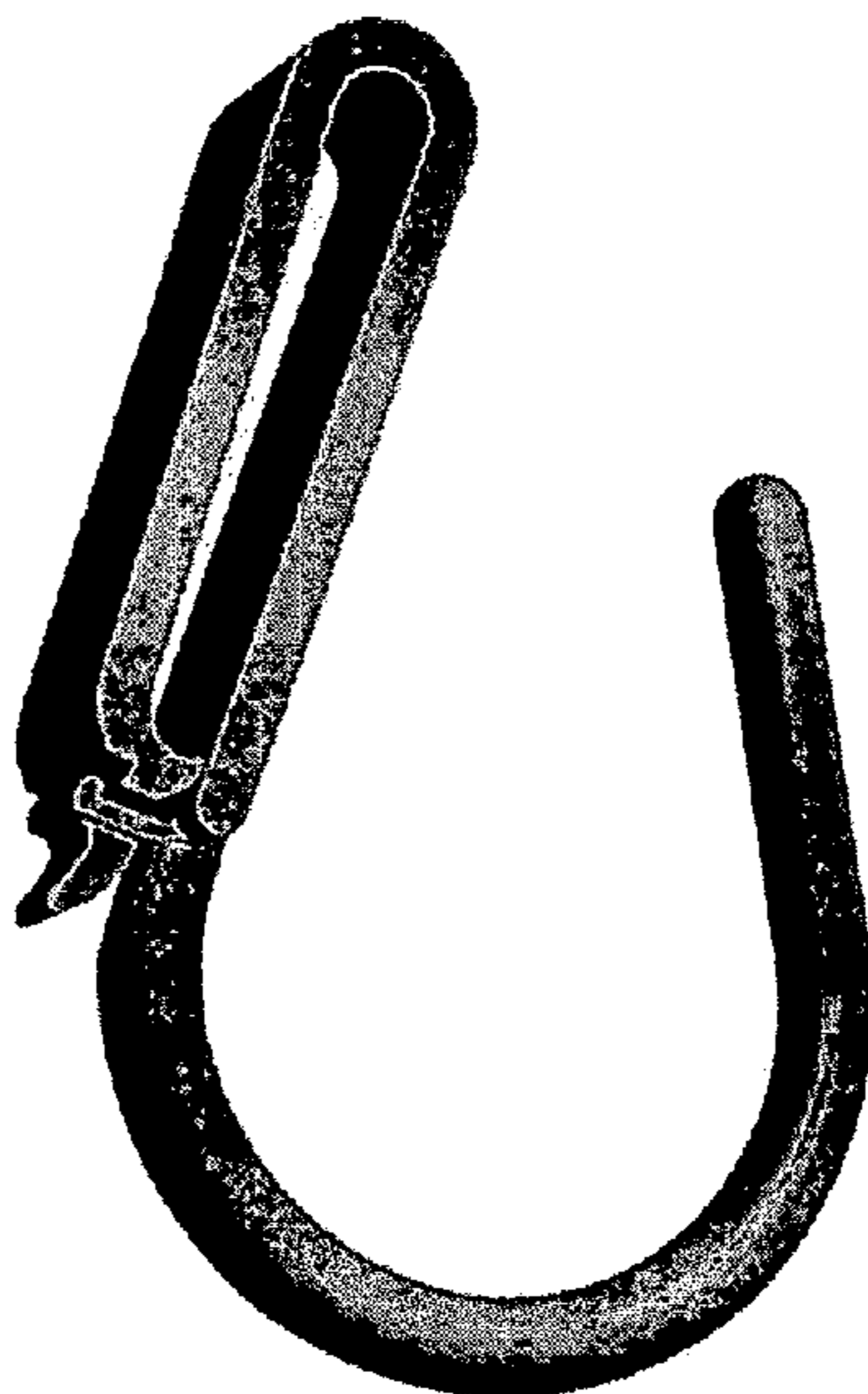
FIG. 4 is a left side elevational view thereof, the opposite side being a mirror image;

FIG. 5 is a front elevational view thereof;

FIG. 6 is a bottom plan view; and,

FIG. 7 is a top plan view thereof.

**1 Claim, 4 Drawing Sheets**



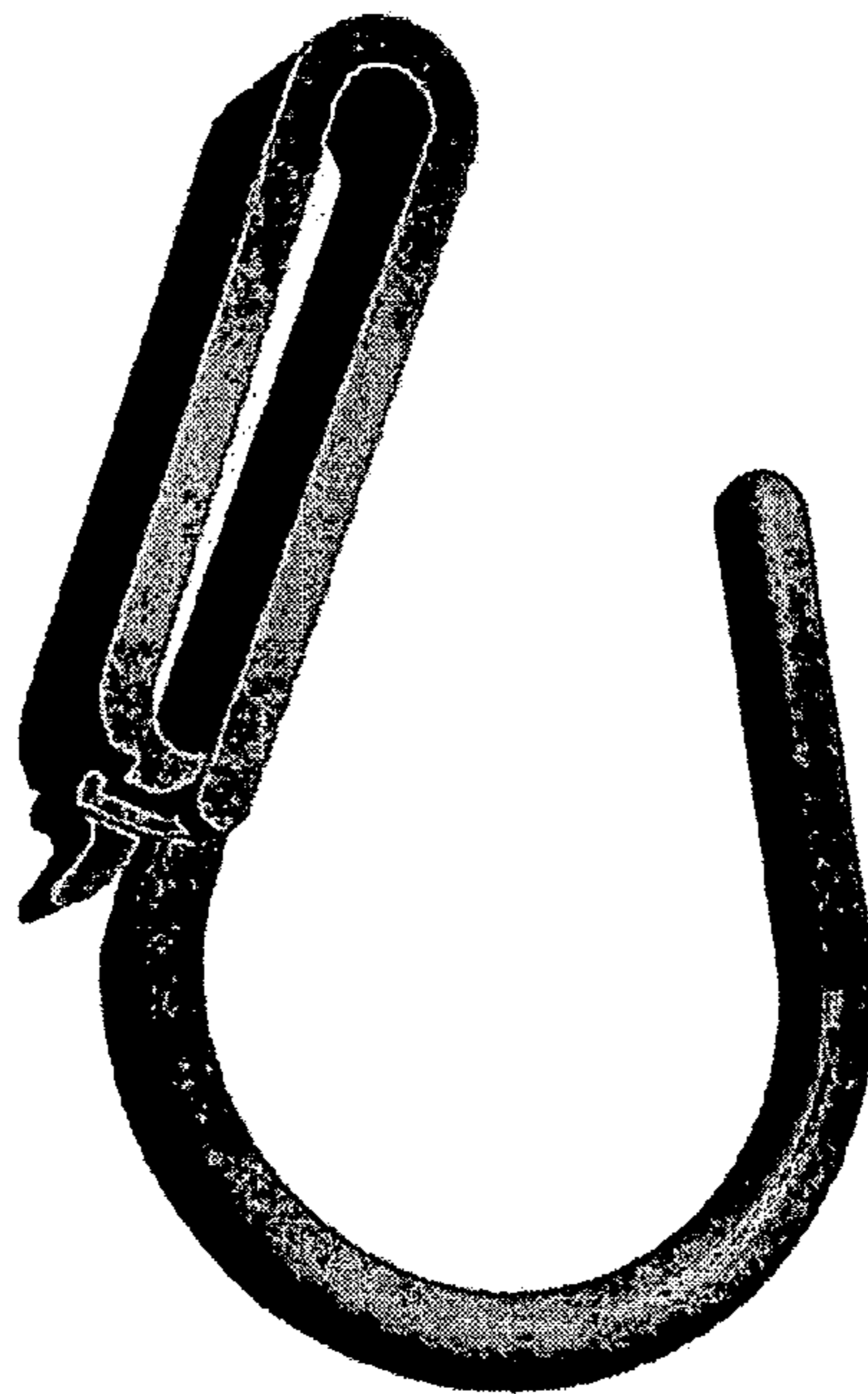


FIGURE 1

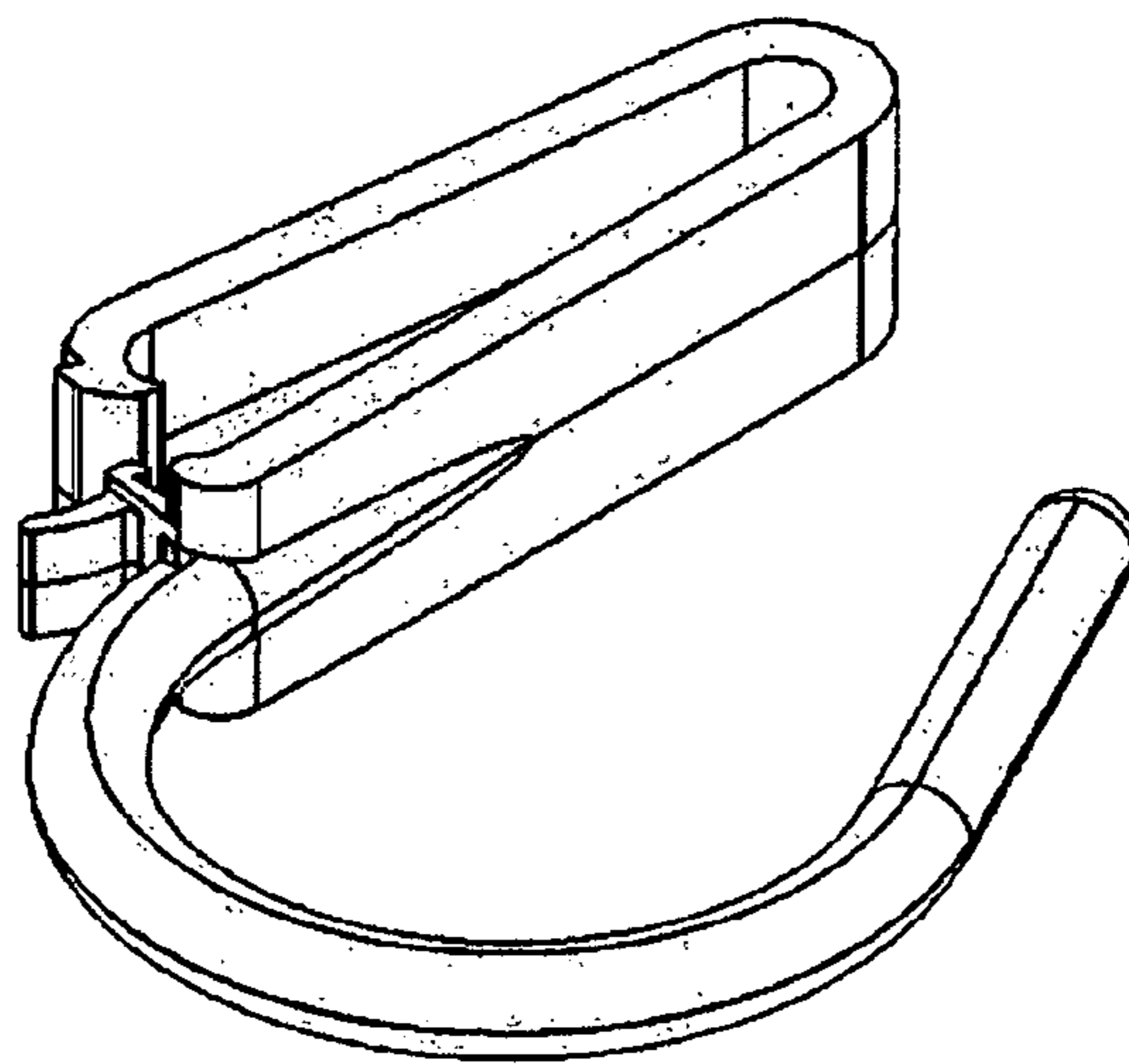


FIGURE 2

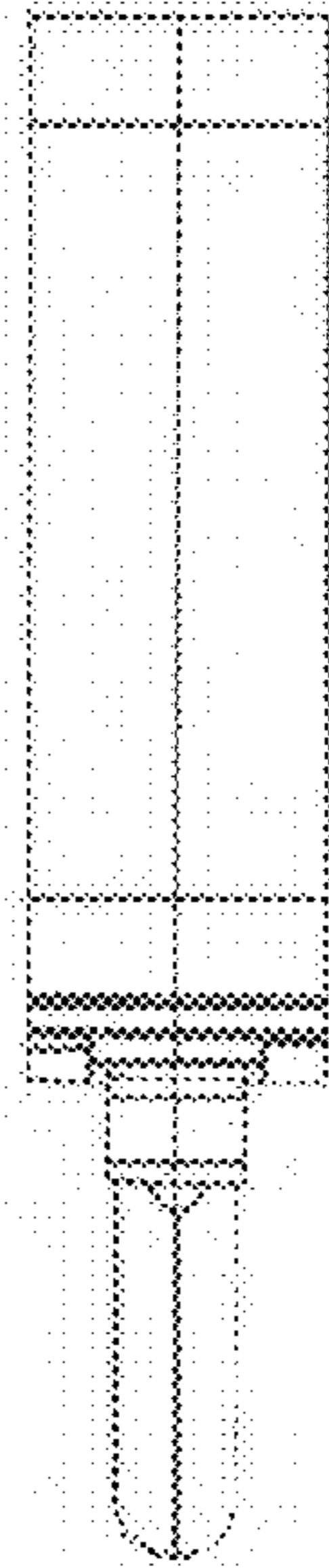


FIGURE 3

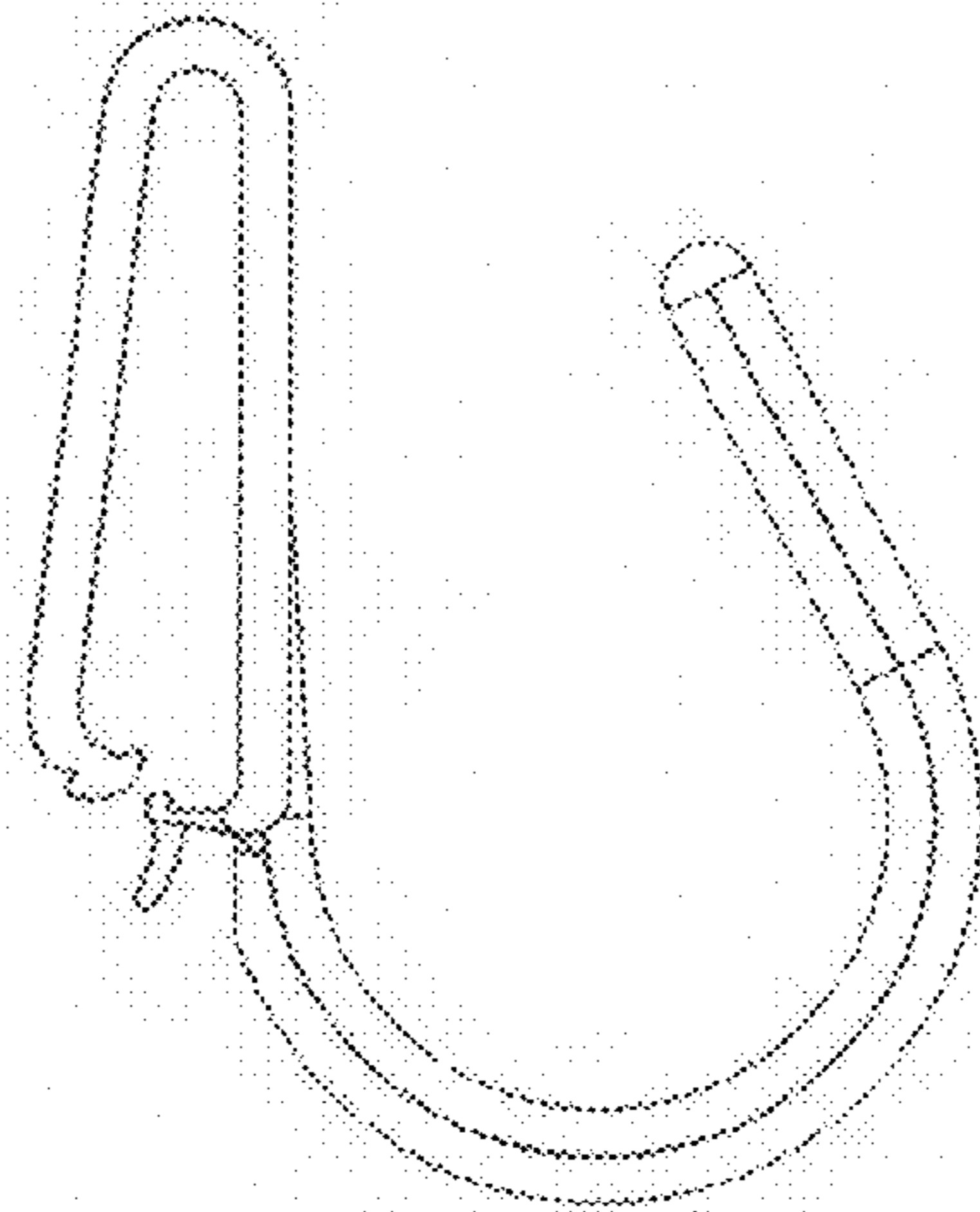


FIGURE 4

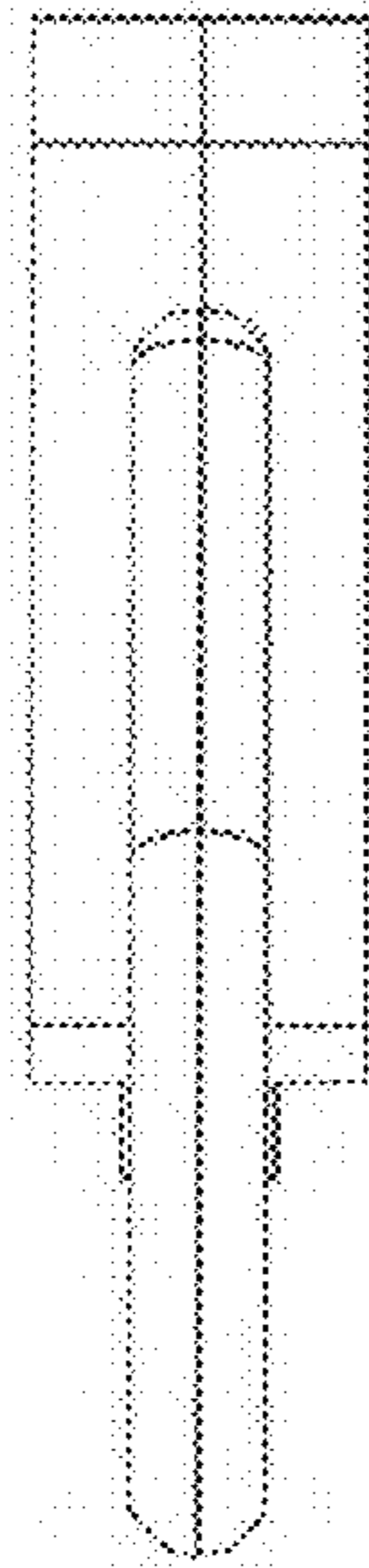


FIGURE 5

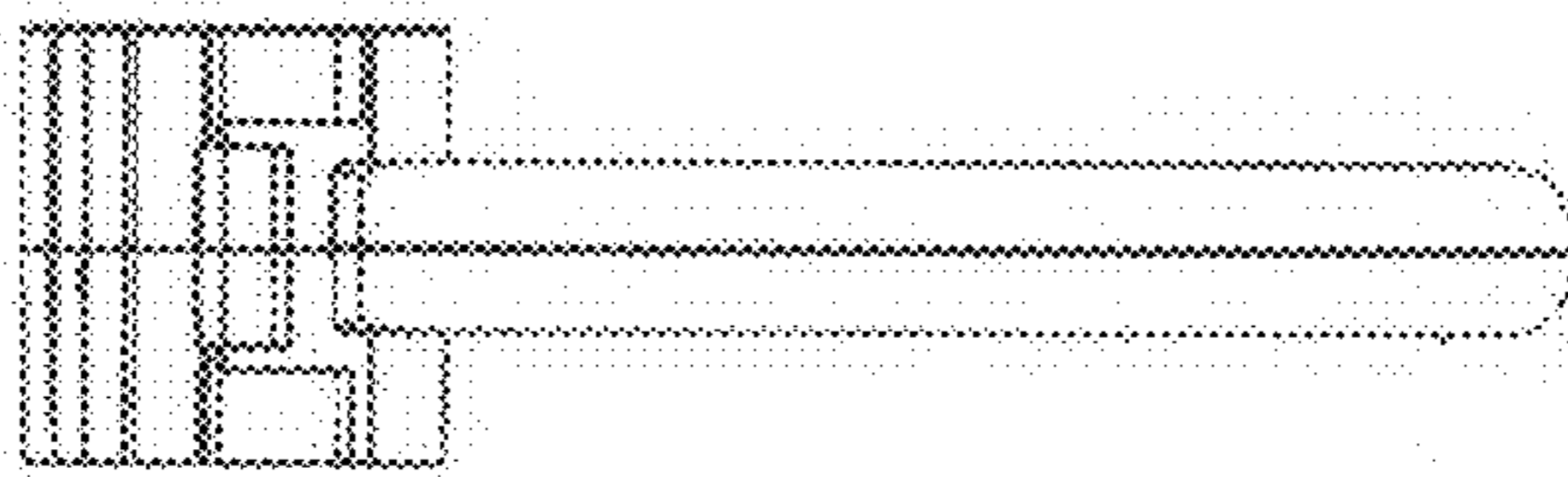


FIGURE 6

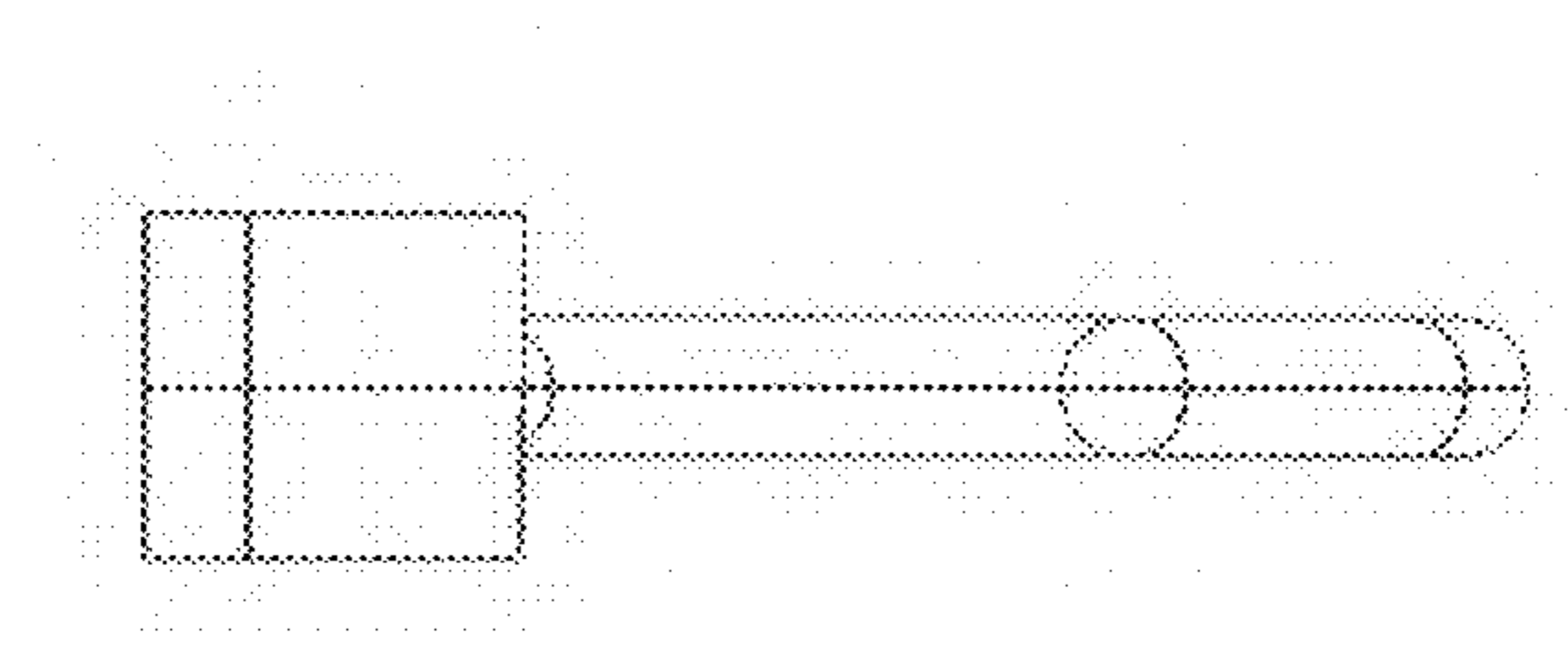


FIGURE 7