



US00D766706S

(12) **United States Design Patent**
Waszczynski

(10) **Patent No.:** **US D766,706 S**

(45) **Date of Patent:** **** Sep. 20, 2016**

(54) **HANGER**

(71) Applicant: **Carlos Henrique Simões de Oliveira Waszczynski**, Curitiba (BR)

(72) Inventor: **Carlos Henrique Simões de Oliveira Waszczynski**, Curitiba (BR)

(**) Term: **14 Years**

(21) Appl. No.: **29/445,443**

(22) Filed: **Feb. 12, 2013**

(30) **Foreign Application Priority Data**

Aug. 17, 2012 (BR) 3020120042488

(51) **LOC (10) Cl.** **08-05**

(52) **U.S. Cl.**
USPC **D8/367**

(58) **Field of Classification Search**
USPC D20/11; D8/367, 354, 349
CPC G09F 1/00
See application file for complete search history.

(56) **References Cited**

U.S. PATENT DOCUMENTS

D563,693 S * 3/2008 Calleja D6/466
D565,980 S * 4/2008 Reeson et al. D10/74

D584,597 S * 1/2009 Menard D8/354
D666,083 S * 8/2012 Mackay D8/367
D666,484 S * 9/2012 Heindl D8/382
D700,825 S * 3/2014 Furling et al. D8/354
D700,829 S * 3/2014 Nanbu et al. D8/367
D714,626 S * 10/2014 Trifari, Jr. D8/382
D753,987 S * 4/2016 Bernstein D8/367

* cited by examiner

Primary Examiner — Cynthia Underwood

(74) *Attorney, Agent, or Firm* — Brian J. Pangrle

(57) **CLAIM**

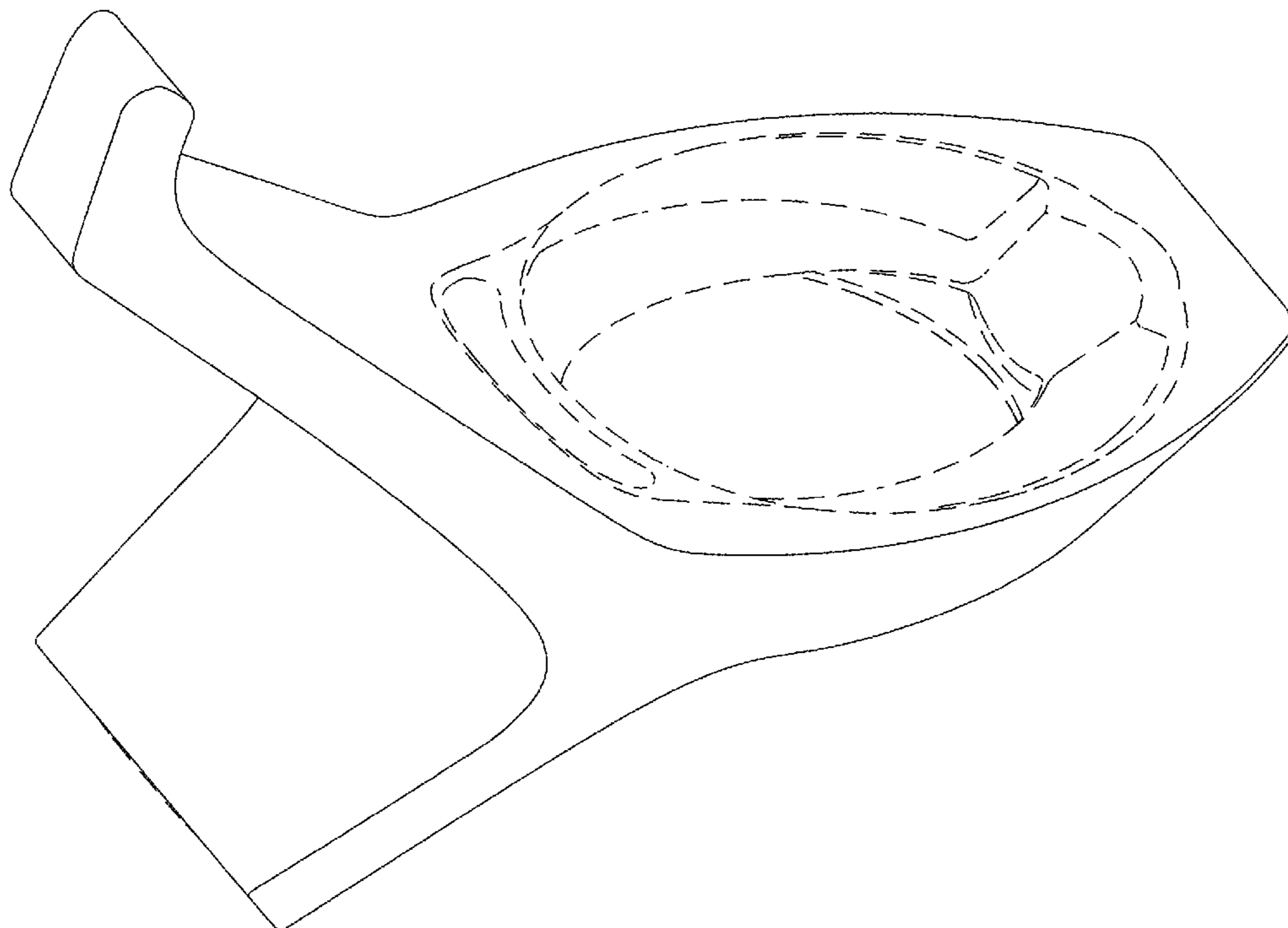
I claim the ornamental design for a hanger, as shown and described.

DESCRIPTION

FIG. 1 is a perspective view of a hanger showing my design; FIG. 2 is a superior view thereof; FIG. 3 is a bottom view thereof; and, FIG. 4 is a side view thereof.

Broken lines in the drawings illustrate portions of the hanger or environment, and form no part of the claimed design.

1 Claim, 4 Drawing Sheets



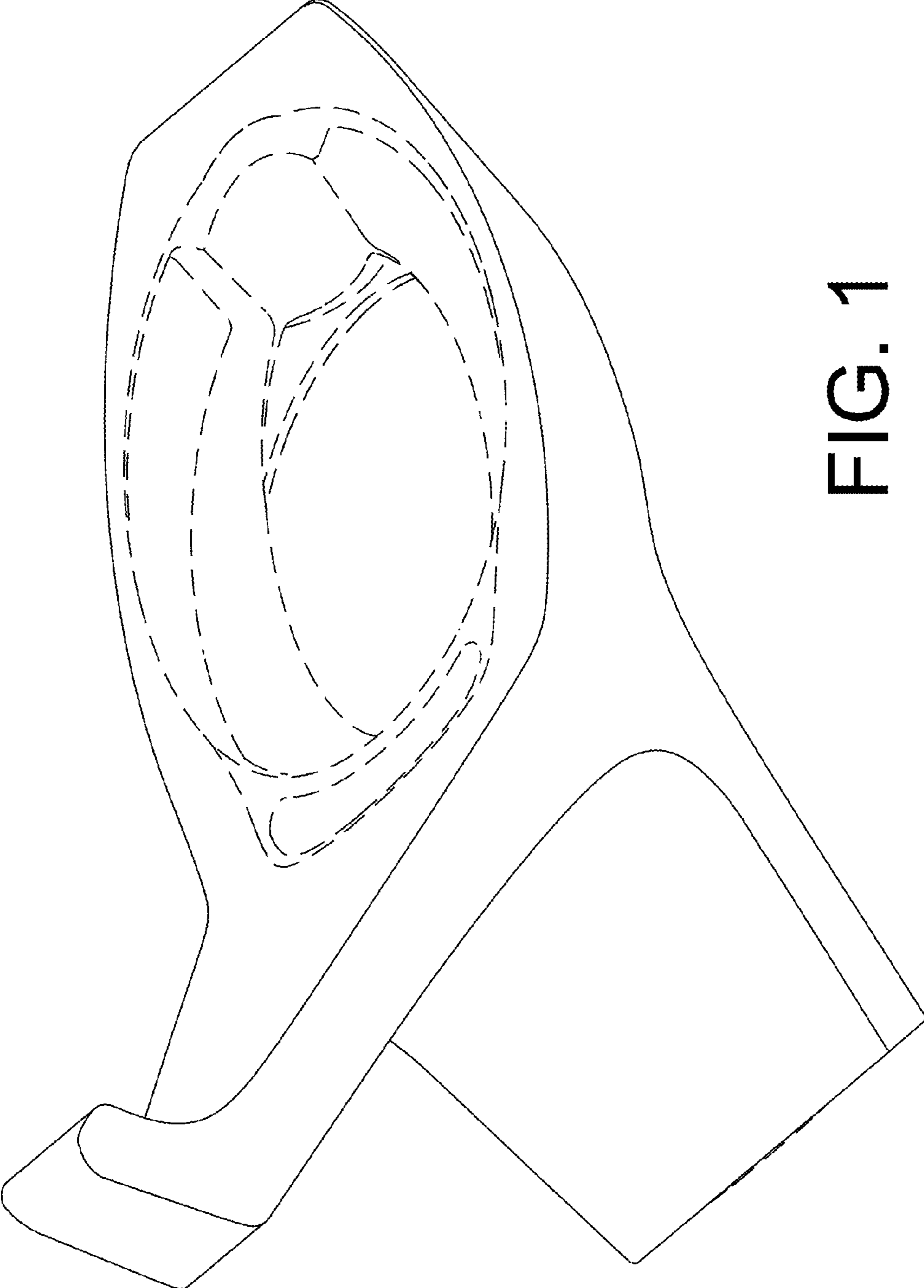


FIG. 1

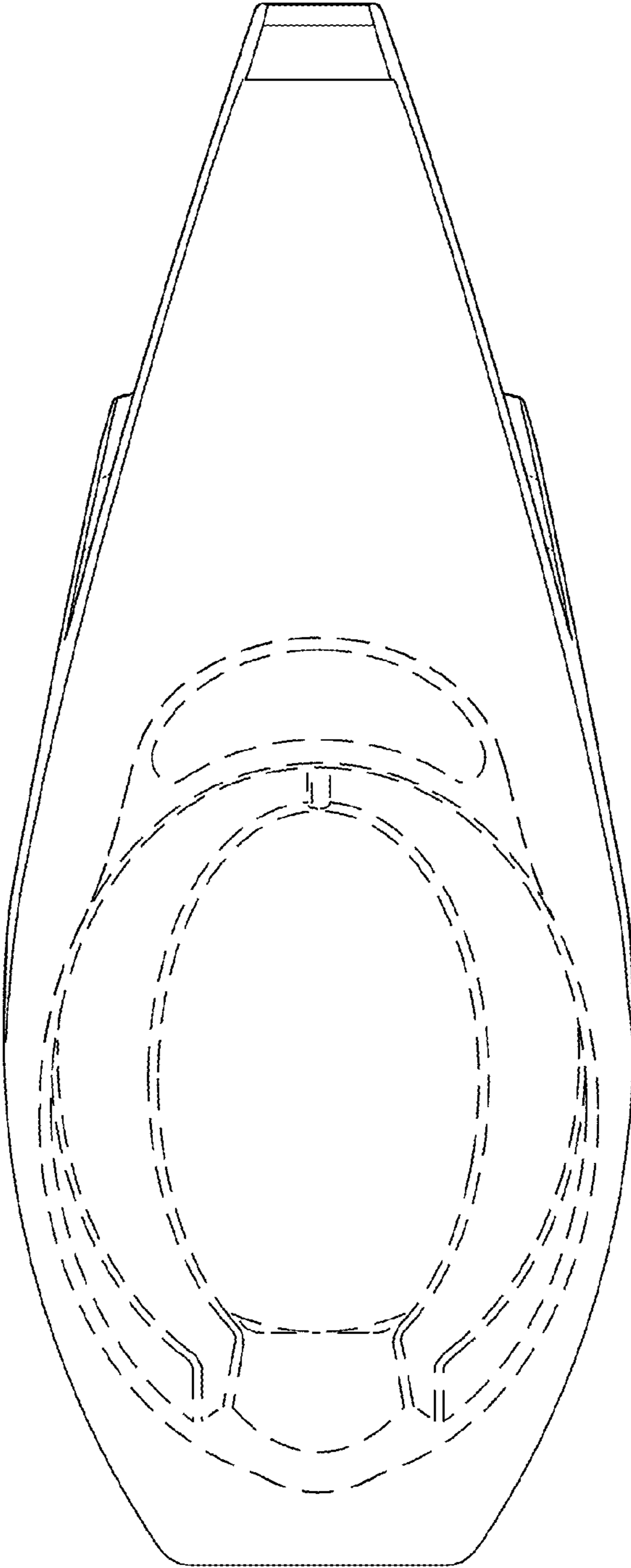


FIG. 2

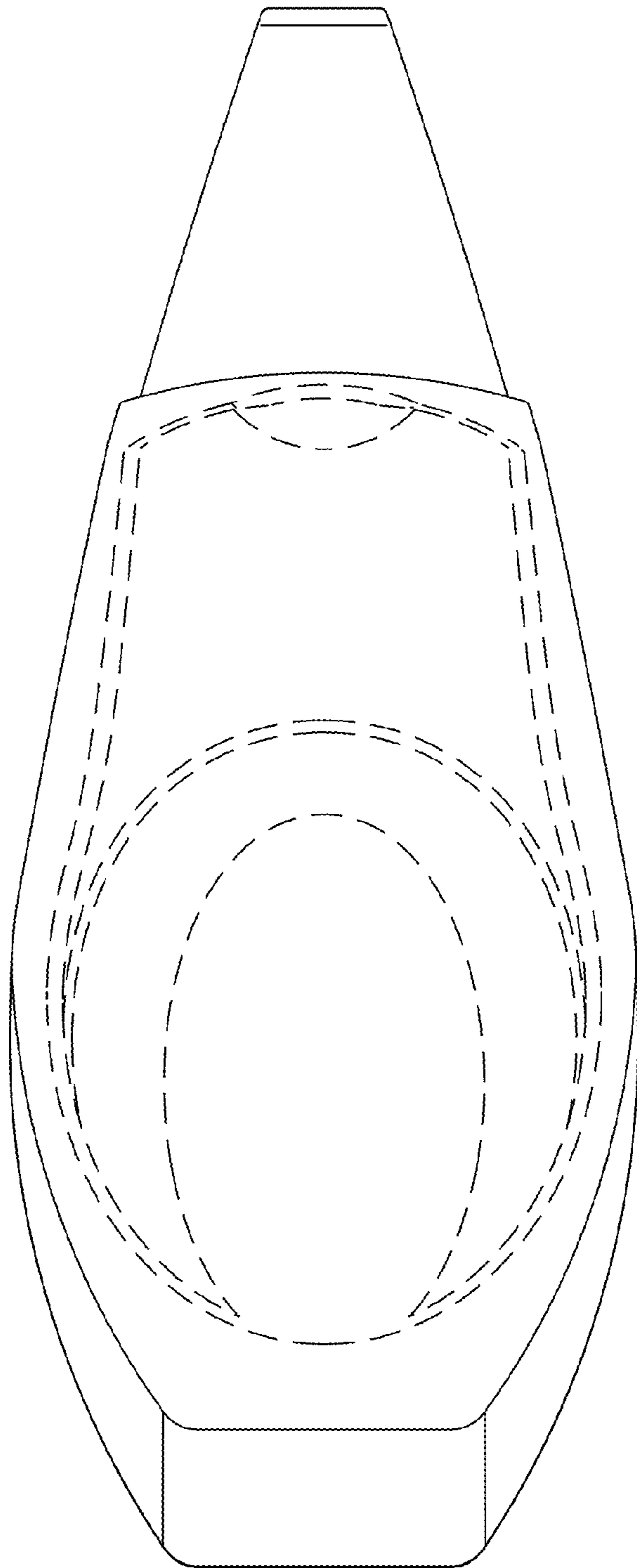


FIG. 3

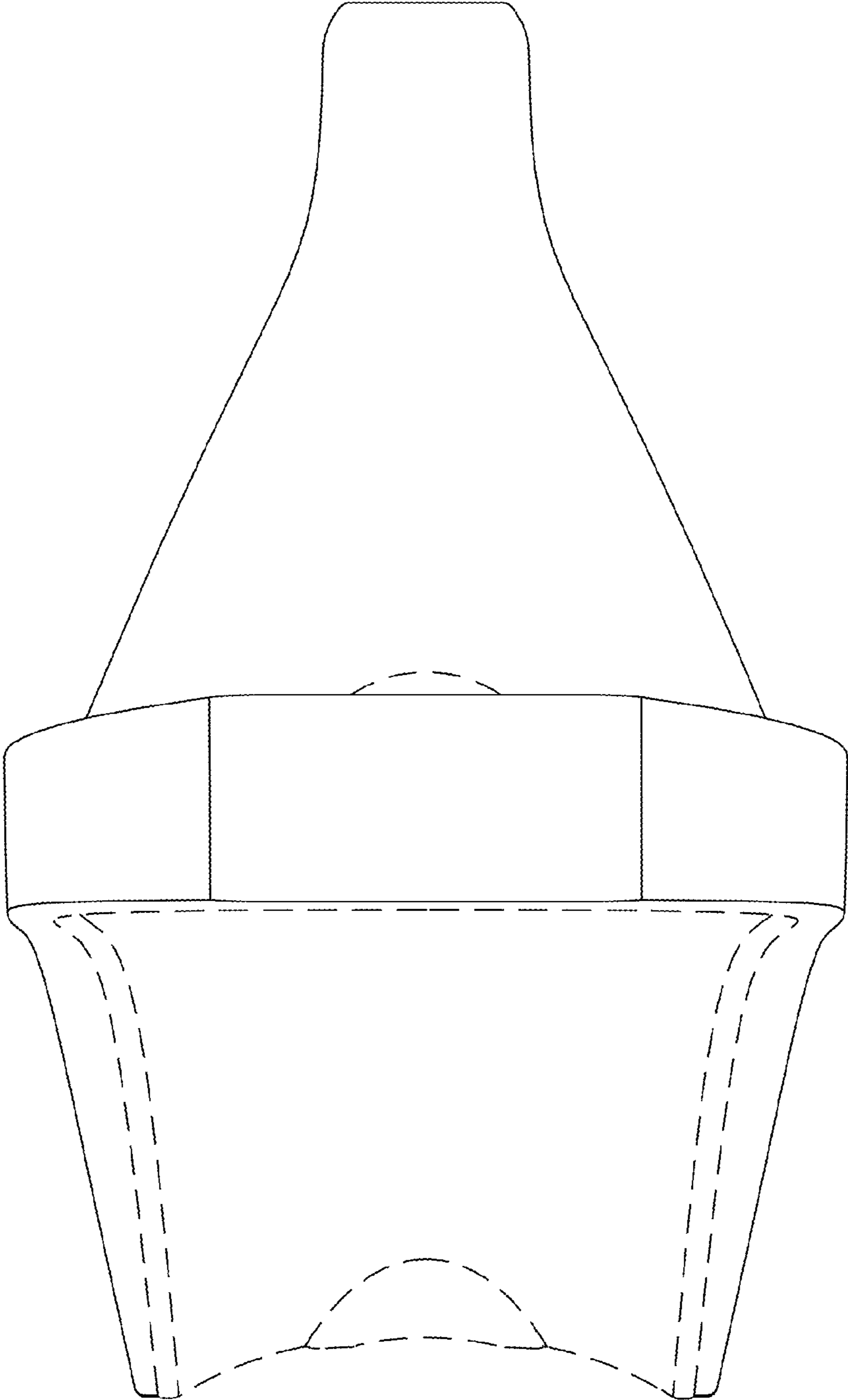


FIG. 4