



US00D766705S

(12) **United States Design Patent** (10) **Patent No.:** **US D766,705 S**  
**Duarte** (45) **Date of Patent:** **\*\* Sep. 20, 2016**

(54) **MAGNETIC ORGANIZER** 6,736,669 B1 \* 5/2004 Martin ..... H02G 3/32  
439/527  
(71) Applicant: **Griffin Technology, Inc.**, Nashville, TN D649,864 S \* 12/2011 Symons ..... D8/356  
(US) D688,976 S \* 9/2013 Dunn ..... D11/184  
D717,157 S \* 11/2014 Widdows ..... D8/356  
(72) Inventor: **Eugene J. Duarte**, Mount Juliet, TN D719,013 S \* 12/2014 St. John ..... D8/356  
(US) 2010/0200273 A1 \* 8/2010 Seil ..... H02G 3/32  
174/135

(73) Assignee: **Griffin Technology, Inc.**, Nashville, TN  
(US)

(\*\*) Term: **14 Years**

(21) Appl. No.: **29/518,814**

(22) Filed: **Feb. 27, 2015**

(51) **LOC (10) Cl.** ..... **08-05**

(52) **U.S. Cl.**  
USPC ..... **D8/356**

(58) **Field of Classification Search**  
USPC ..... D8/71, 356, 367, 354, 349, 394, 373;  
D24/455; 248/62, 63, 65, 74.1, 74.2,  
248/75, 313, 316.1, 229.26; D11/218;  
410/97  
CPC ..... H02G 3/22  
See application file for complete search history.

(56) **References Cited**

**U.S. PATENT DOCUMENTS**

D293,766 S \* 1/1988 Lamb ..... 296/98  
D376,530 S \* 12/1996 Hawthorne ..... D8/358

\* cited by examiner

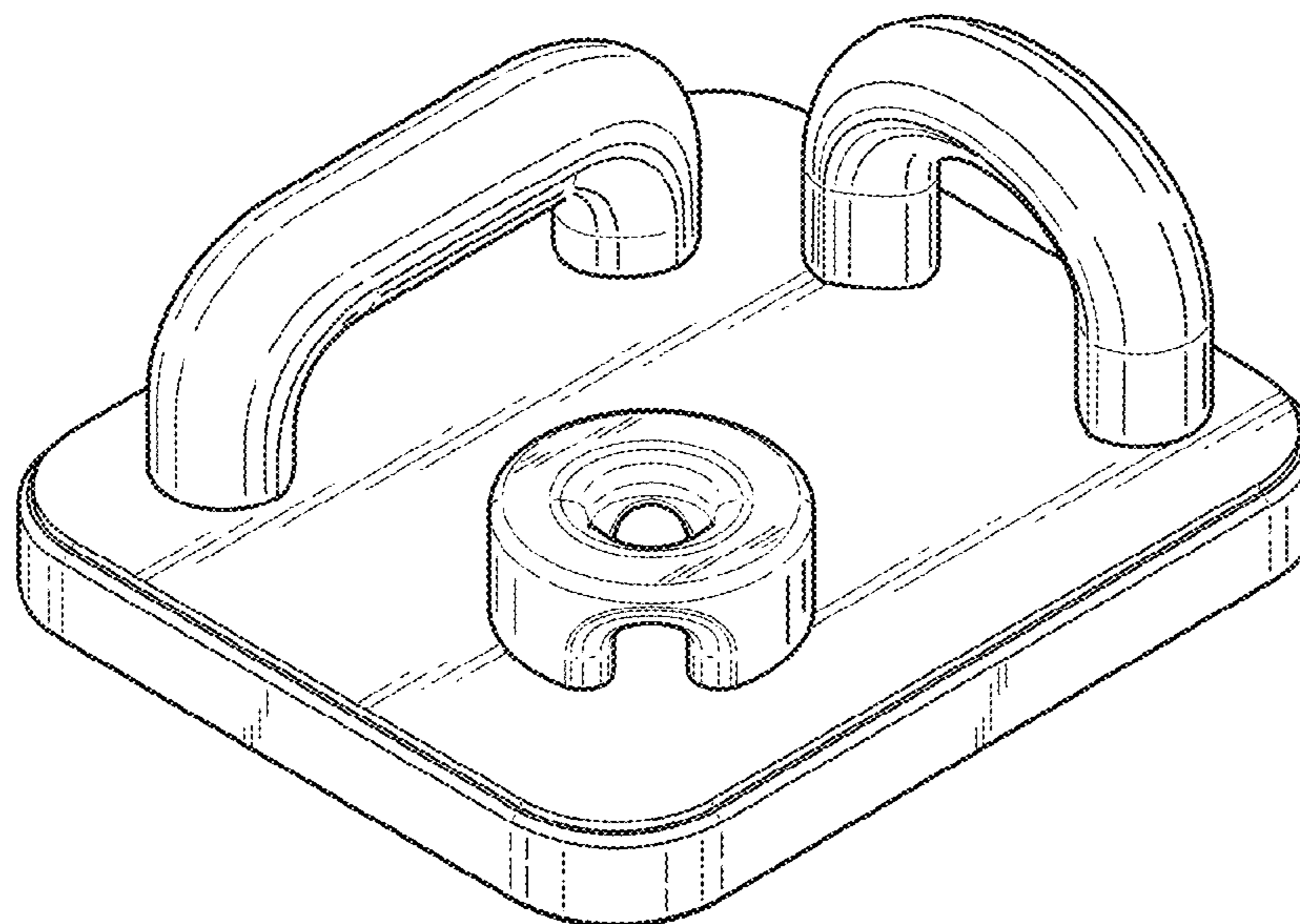
*Primary Examiner* — Lakiya Rogers  
*Assistant Examiner* — Harold Blackwell, II  
(74) *Attorney, Agent, or Firm* — Hornkohl Intellectual  
Property Law, PLLC; Jason L. Hornkohl

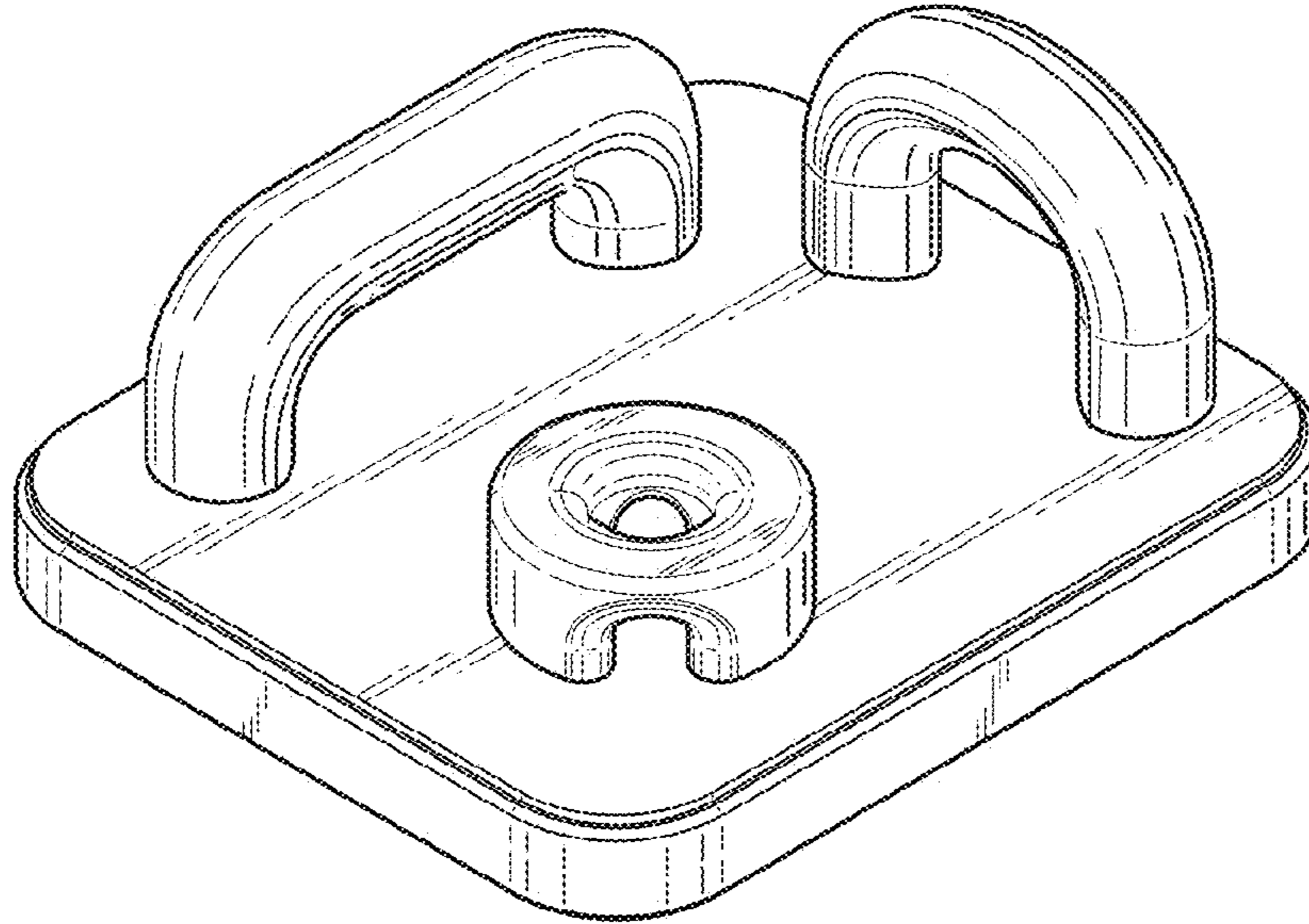
(57) **CLAIM**  
The ornamental design for a magnetic organizer, as shown  
and described.

**DESCRIPTION**

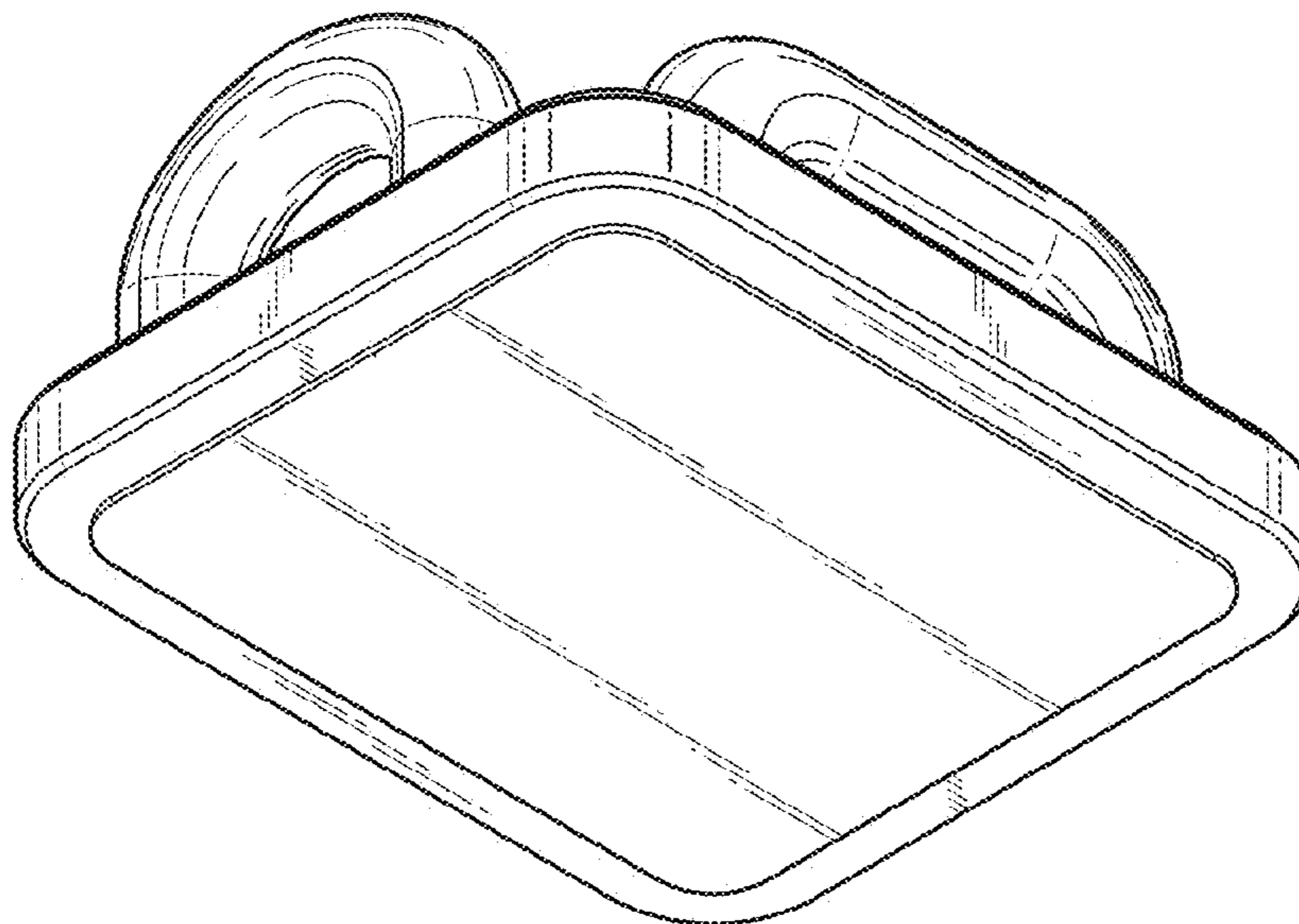
FIG. 1 is an isometric top view of the new design for a  
magnetic organizer;  
FIG. 2 is an isometric bottom view of the new design for a  
magnetic organizer;  
FIG. 3 is a left side view of the magnetic organizer;  
FIG. 4 is a front view of the magnetic organizer;  
FIG. 5 is a right side of the magnetic organizer;  
FIG. 6 is a back view of the magnetic organizer;  
FIG. 7 is a top view of the magnetic organizer; and,  
FIG. 8 is a bottom view of the magnetic organizer.

**1 Claim, 3 Drawing Sheets**

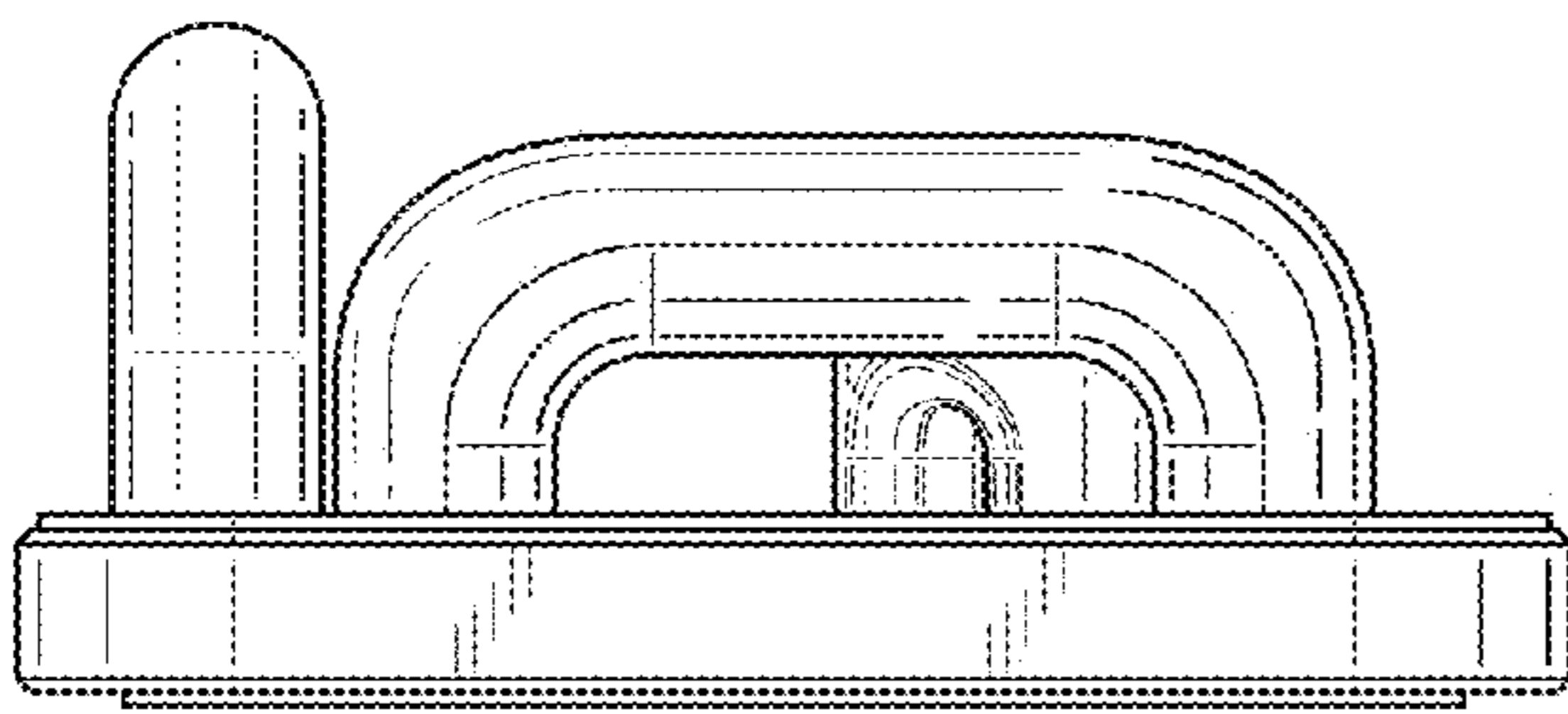




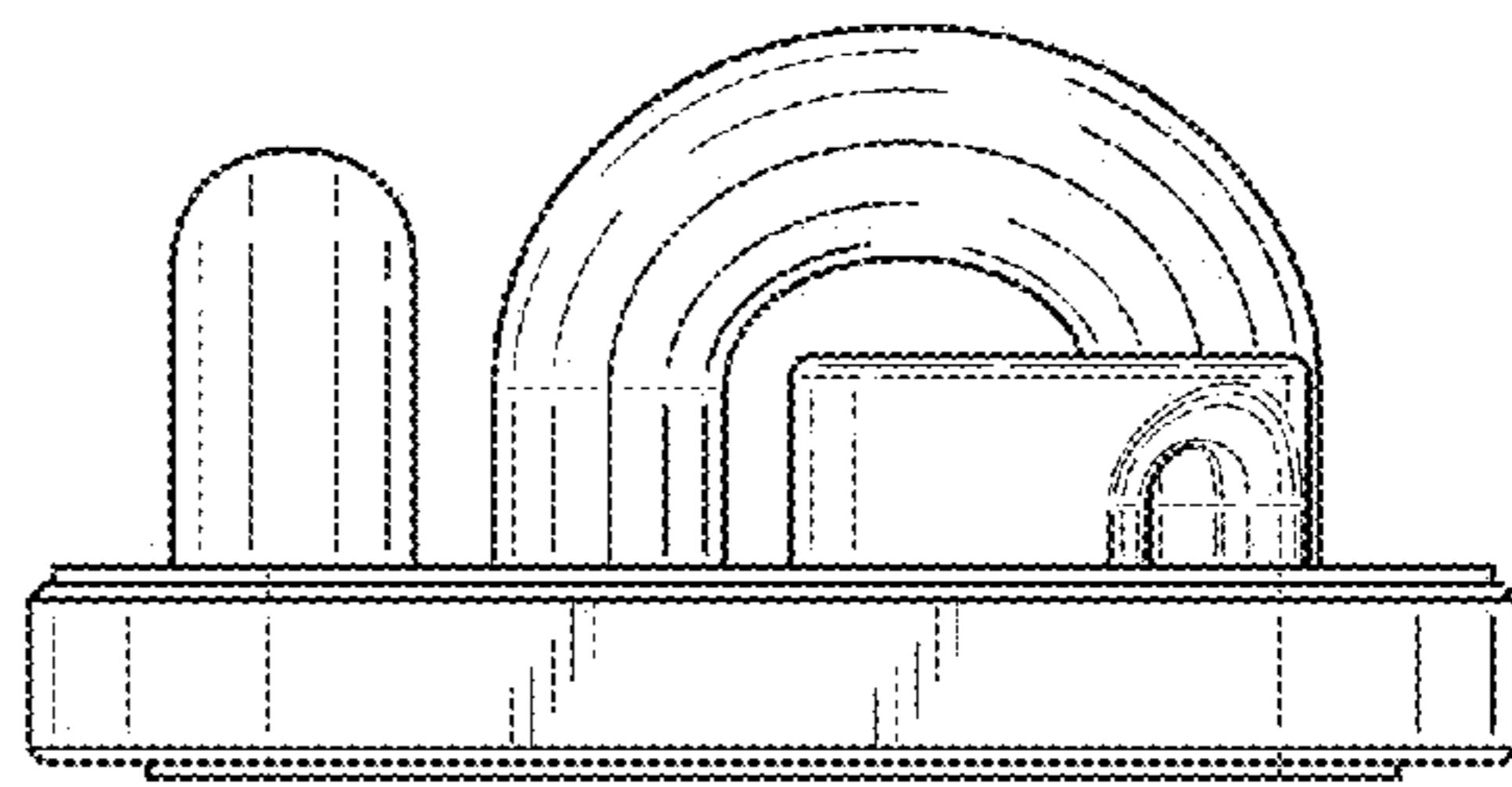
*FIG. 1*



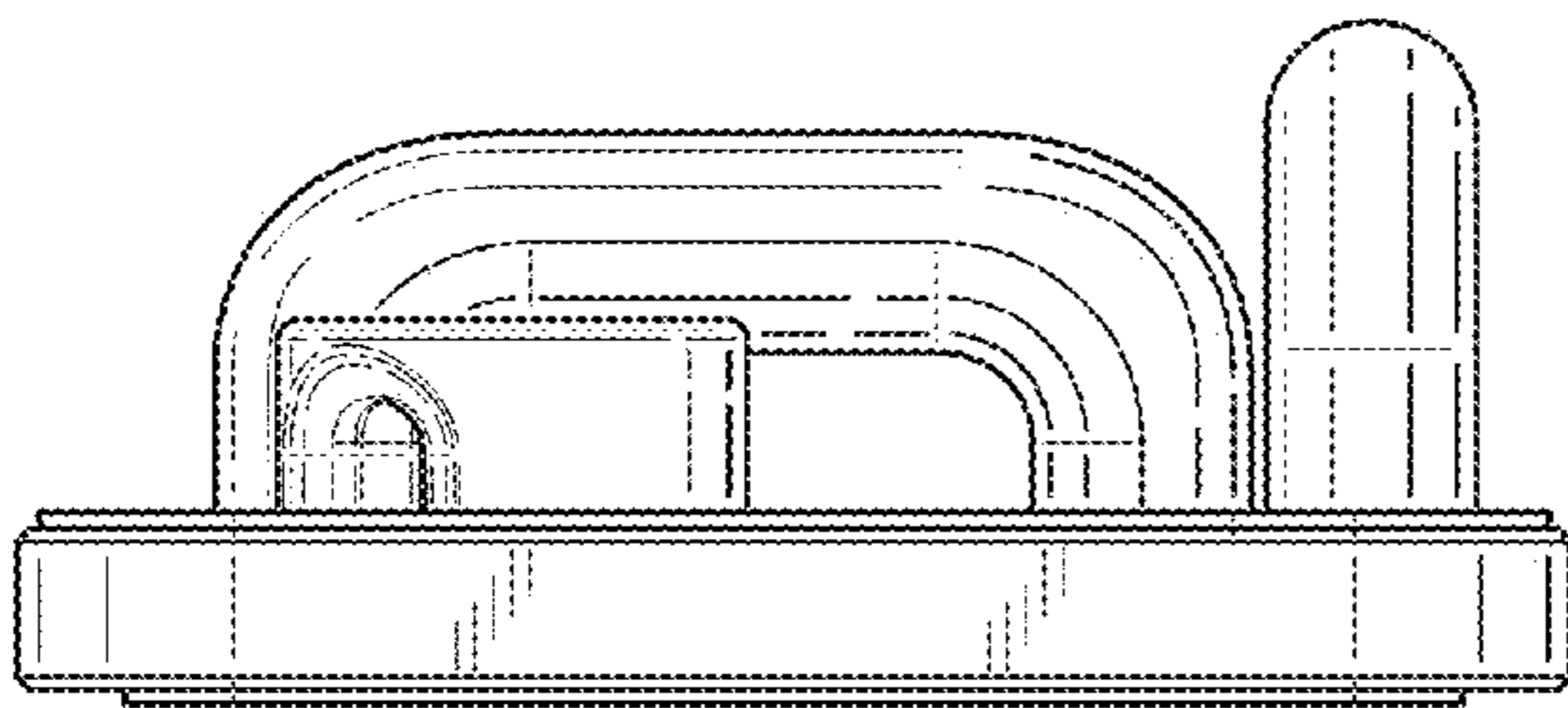
*FIG. 2*



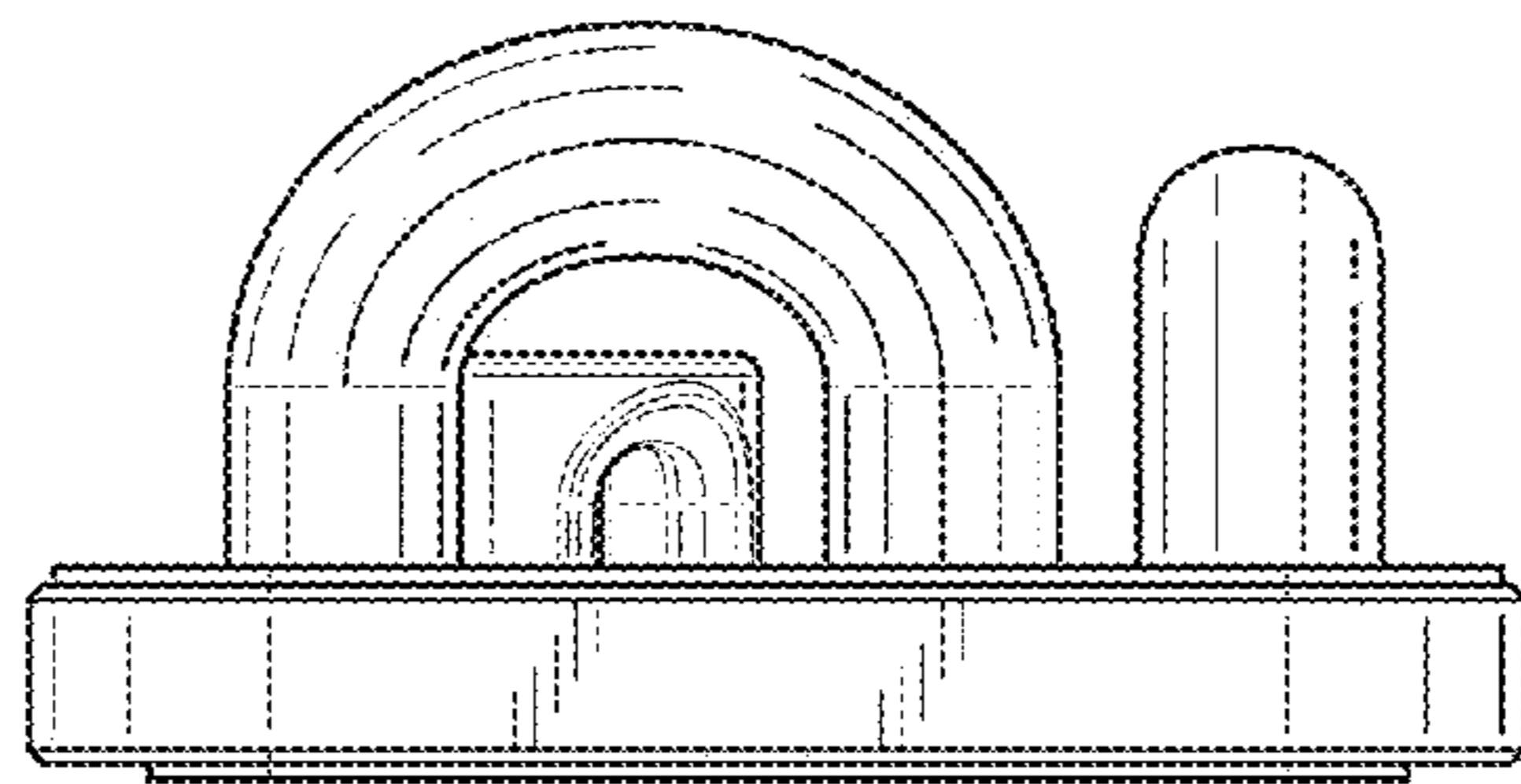
*FIG. 3*



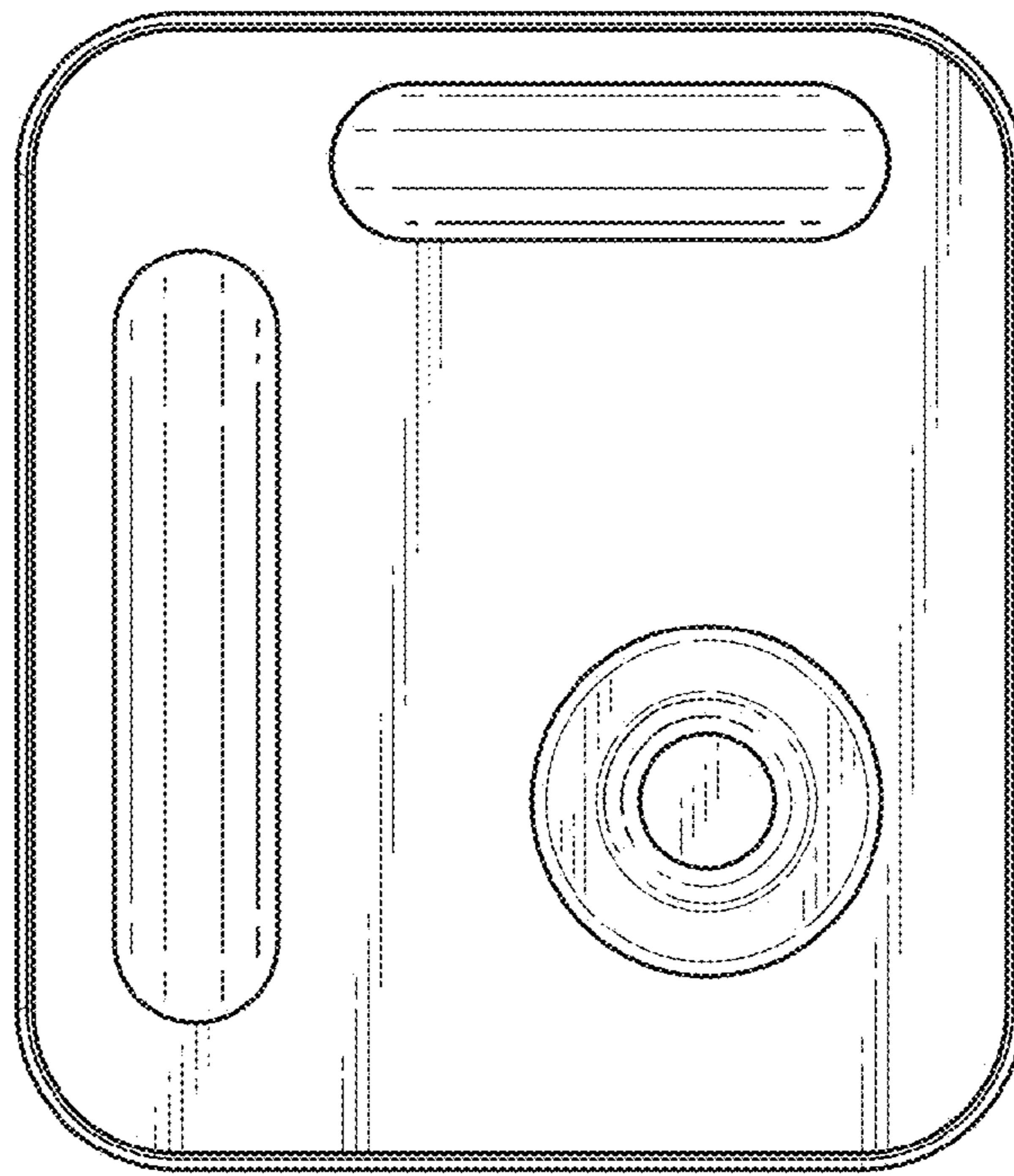
*FIG. 4*



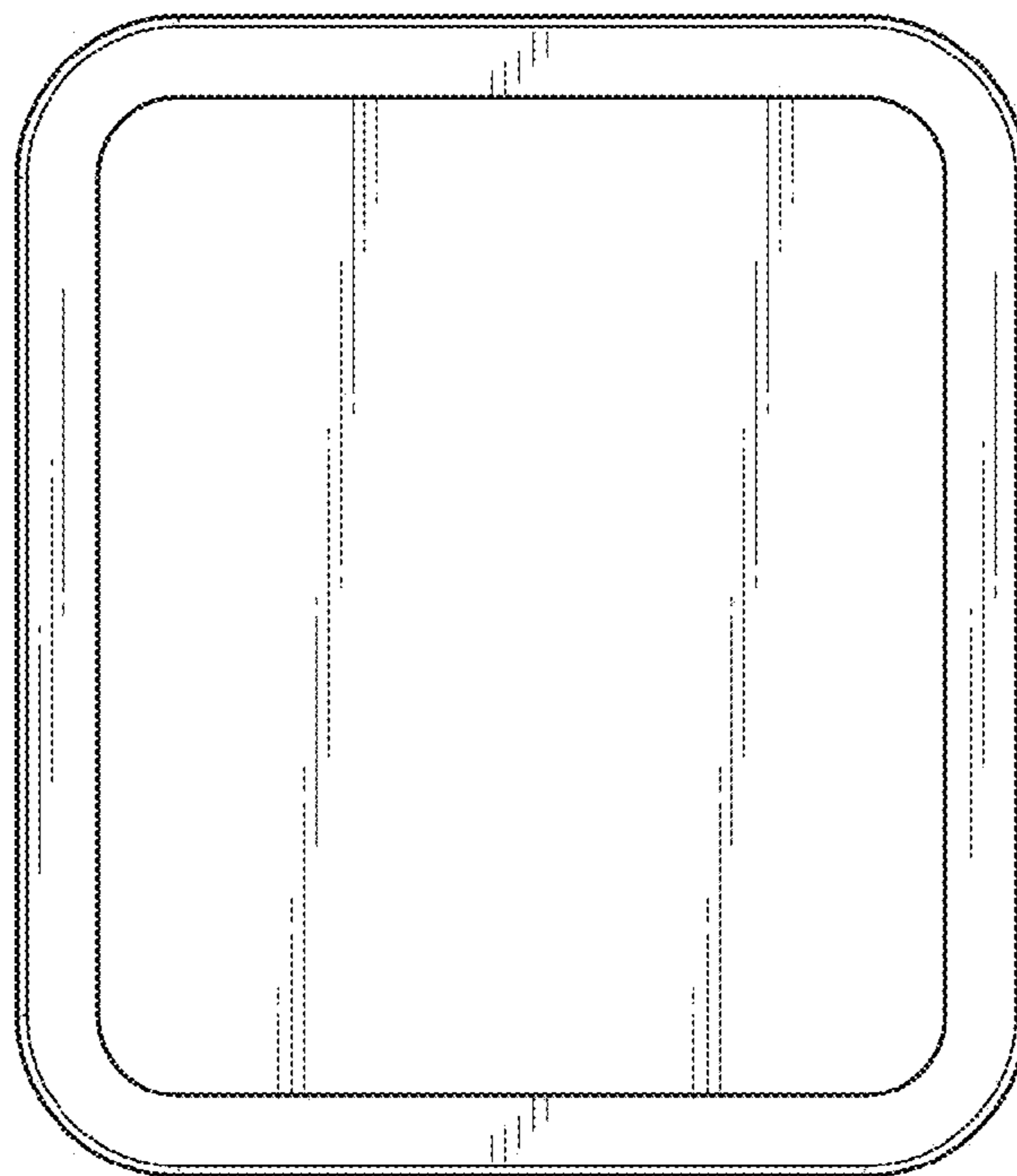
*FIG. 5*



*FIG. 6*



*FIG. 7*



*FIG. 8*