

US00D766704S

(12) **United States Design Patent** (10) **Patent No.:** **US D766,704 S**
Hill (45) **Date of Patent:** **** Sep. 20, 2016**

- (54) **SHIMLESS SPACER**
- (71) Applicant: **Jonathan A. Hill**, Clintonville, WI (US)
- (72) Inventor: **Jonathan A. Hill**, Clintonville, WI (US)
- (73) Assignee: **STEEL KING INDUSTRIES, INC.**, Stevens Point, WI (US)

- D372,192 S 7/1996 Pigott et al.
- 5,599,264 A 2/1997 Hashimoto et al.
- D380,959 S 7/1997 Mitchell
- D445,077 S * 7/2001 Lovitt, Jr. D12/207
- D462,256 S * 9/2002 Jaynes D12/160
- D474,362 S * 5/2003 Callamari D6/552
- D633,872 S 3/2011 Shen et al.
- D634,248 S * 3/2011 Chen D12/177
- D658,973 S 5/2012 Drake
- D658,978 S 5/2012 Linares
- 8,579,572 B1 11/2013 Psimas

(Continued)

(**) Term: **15 Years**

(21) Appl. No.: **29/505,786**

(22) Filed: **Feb. 9, 2016**

Related U.S. Application Data

- (62) Division of application No. 29/463,135, filed on Aug. 12, 2013, now Pat. No. Des. 750,467.
- (51) **LOC (10) Cl.** **08-08**
- (52) **U.S. Cl.**
USPC **D8/354**
- (58) **Field of Classification Search**
USPC D8/349, 354, 394-399, 499, 382;
D13/155, 173; D23/259, 269; D12/159
CPC F16B 1/00; F16B 39/24; F16B 43/00;
F16C 11/06; B65H 49/32; B65H 54/00;
G01M 1/00
See application file for complete search history.

(56) **References Cited**

U.S. PATENT DOCUMENTS

- 1,792,122 A 6/1928 Rafter
- D198,713 S 7/1964 Curtiss
- 3,309,117 A * 3/1967 Gottschald F16C 11/06
403/135
- 4,008,598 A 2/1977 Purcupile et al.
- 5,060,498 A 10/1991 Seto et al.
- 5,175,999 A 1/1993 Hara et al.
- D347,567 S 6/1994 Duffy
- 5,327,762 A 7/1994 Nagamine et al.

OTHER PUBLICATIONS

Sparco Wheel Spacers, dated Jul. 8, 2012, [online], [site visited Jun. 20, 2016]. Available from Internet, <URL: <http://www.sparcoua.com/product/wheel-spacers>>.*

Robinson race cars, dated Jan. 7, 2007, [online], [site visited Jun. 20, 2016]. Available from Internet, <URL: <http://www.robinson-race-cars.co.uk/Stainless%20Components.htm>>.*

Primary Examiner — Thomas Johannes

Assistant Examiner — Shawn T Gringrich

(74) *Attorney, Agent, or Firm* — Richard O. Bartz

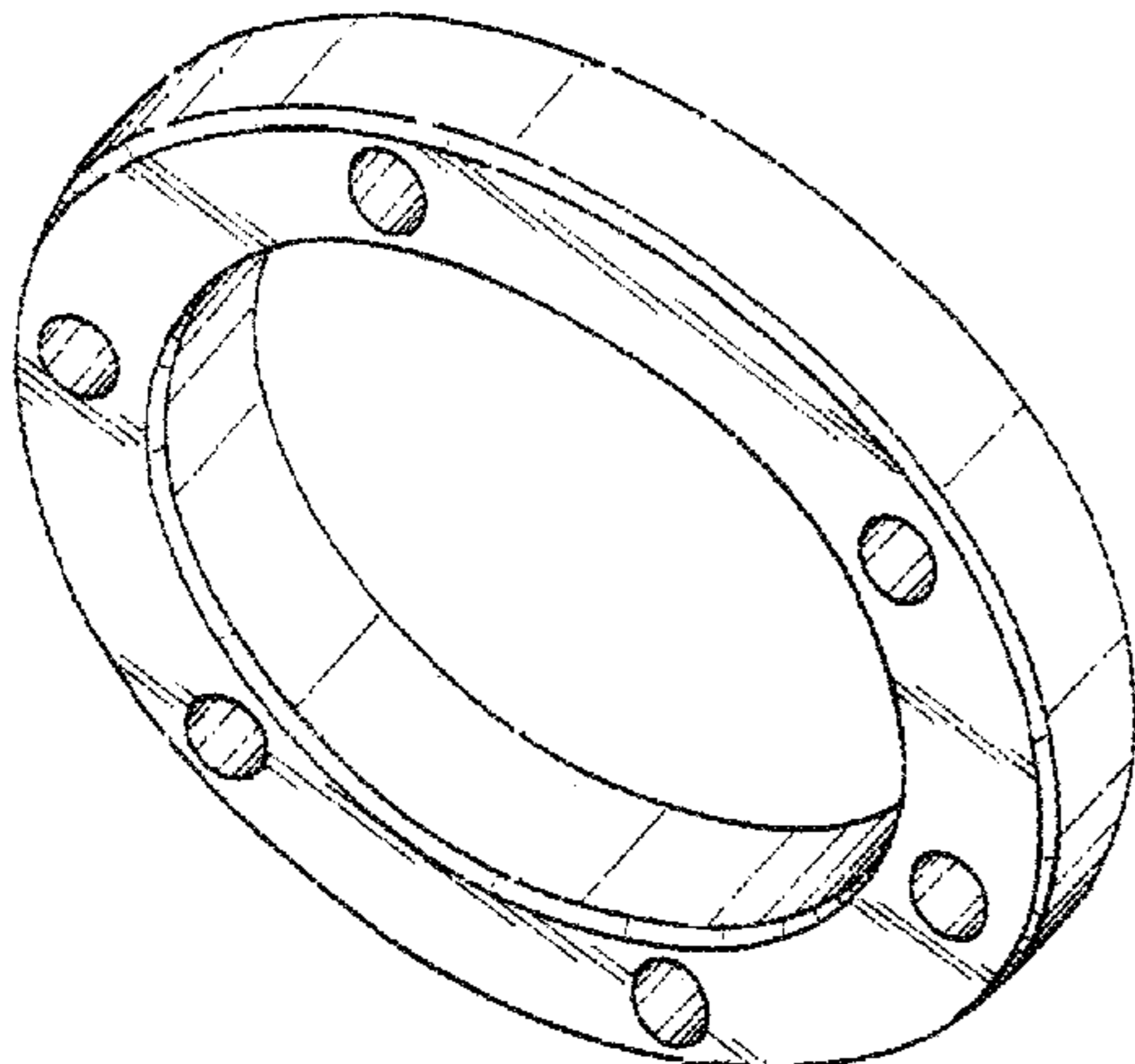
(57) **CLAIM**

The ornamental design for a shimless spacer, as shown and described.

DESCRIPTION

FIG. 1 is a perspective view of a shimless spacer of my new design;
 FIG. 2 is a front elevational view thereof;
 FIG. 3 is a rear elevational view thereof;
 FIG. 4 is a top plan view thereof;
 FIG. 5 is a bottom plan view thereof;
 FIG. 6 is a left side elevational view thereof;
 FIG. 7 is a right side elevational view thereof;
 FIG. 8 is a sectional view taken along line 8-8 of FIG. 2;
 FIG. 9 is a sectional view taken along line 9-9 of FIG. 2; and
 FIG. 10 is a sectional view taken along line 10-10 of FIG. 2.

1 Claim, 4 Drawing Sheets



(56)

References Cited

U.S. PATENT DOCUMENTS

D695,591 S 12/2013 Ackerman et al.
D700,501 S 3/2014 Ackerman et al.
D721,101 S * 1/2015 Swanson D15/5
D736,129 S * 8/2015 Fretz D12/207
D738,473 S * 9/2015 Young D23/269
D750,467 S * 3/2016 Hill D8/349

2011/0211934 A1* 9/2011 Walther F16B 25/0015
411/387.1
2013/0322797 A1* 12/2013 Barth F16C 17/04
384/420
2015/0008722 A1* 1/2015 Bride B60B 11/02
301/13.2
2015/0226249 A1* 8/2015 Otto F16B 31/028
29/525.02

* cited by examiner

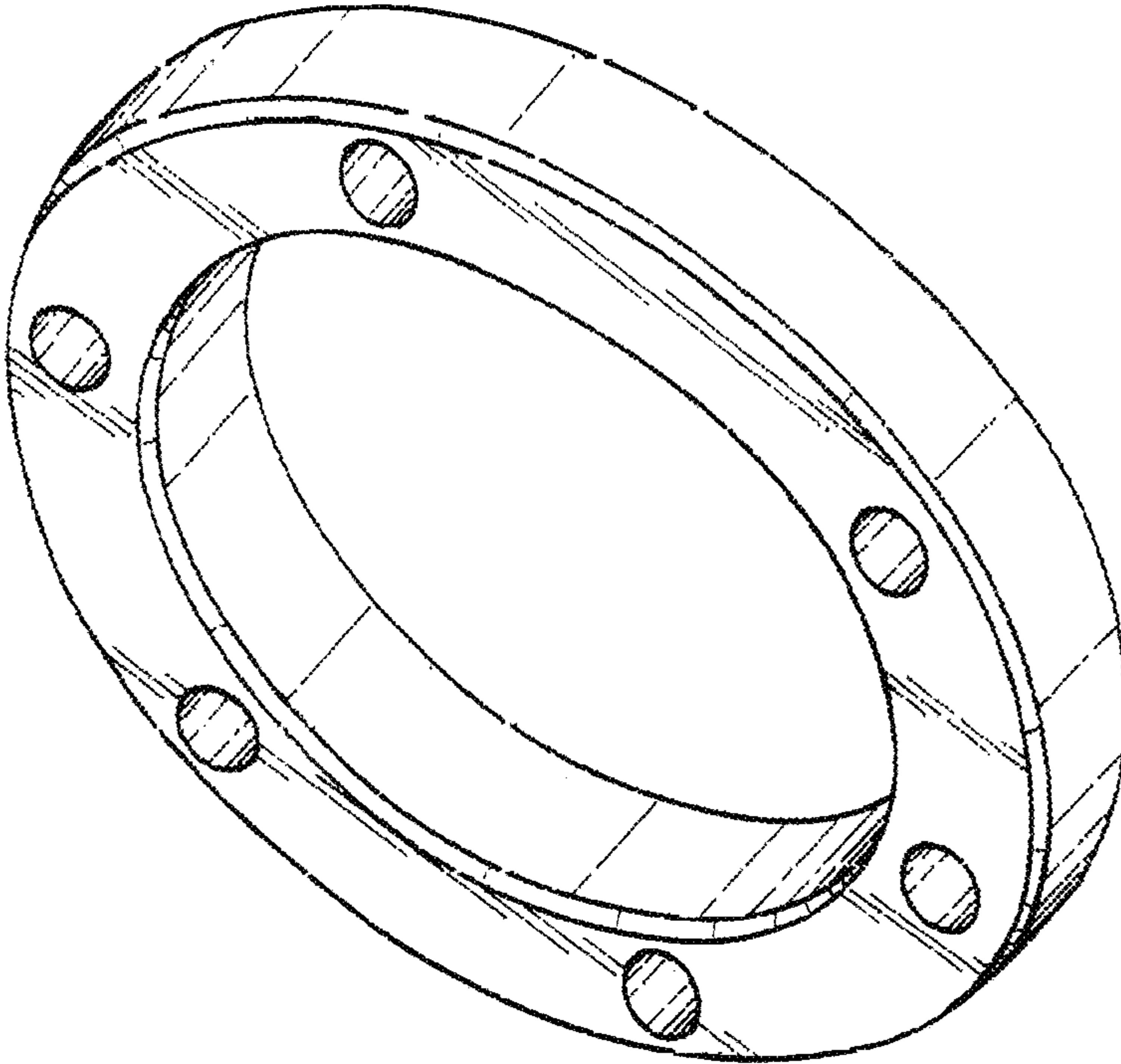


FIG. 1

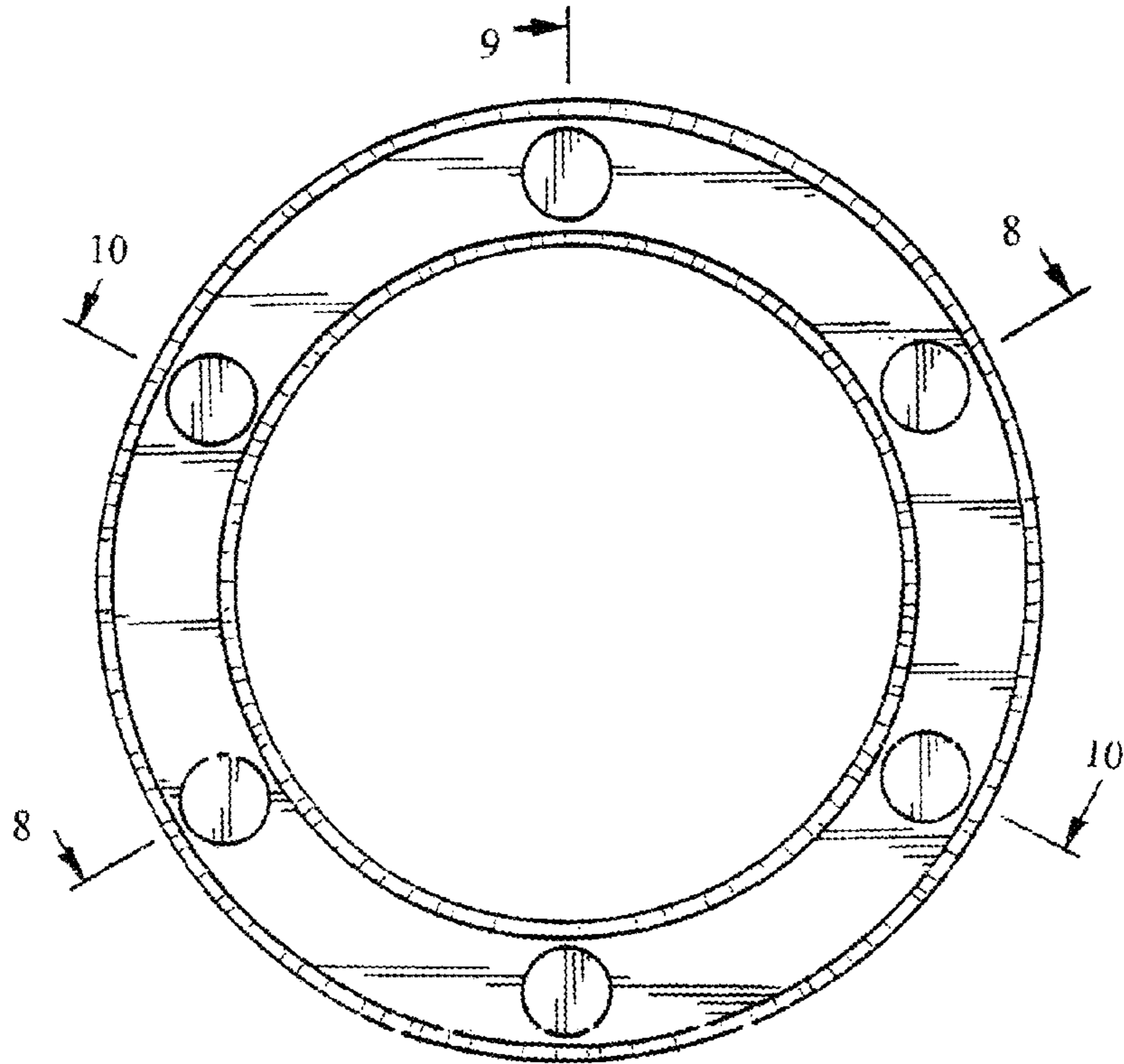


FIG. 2

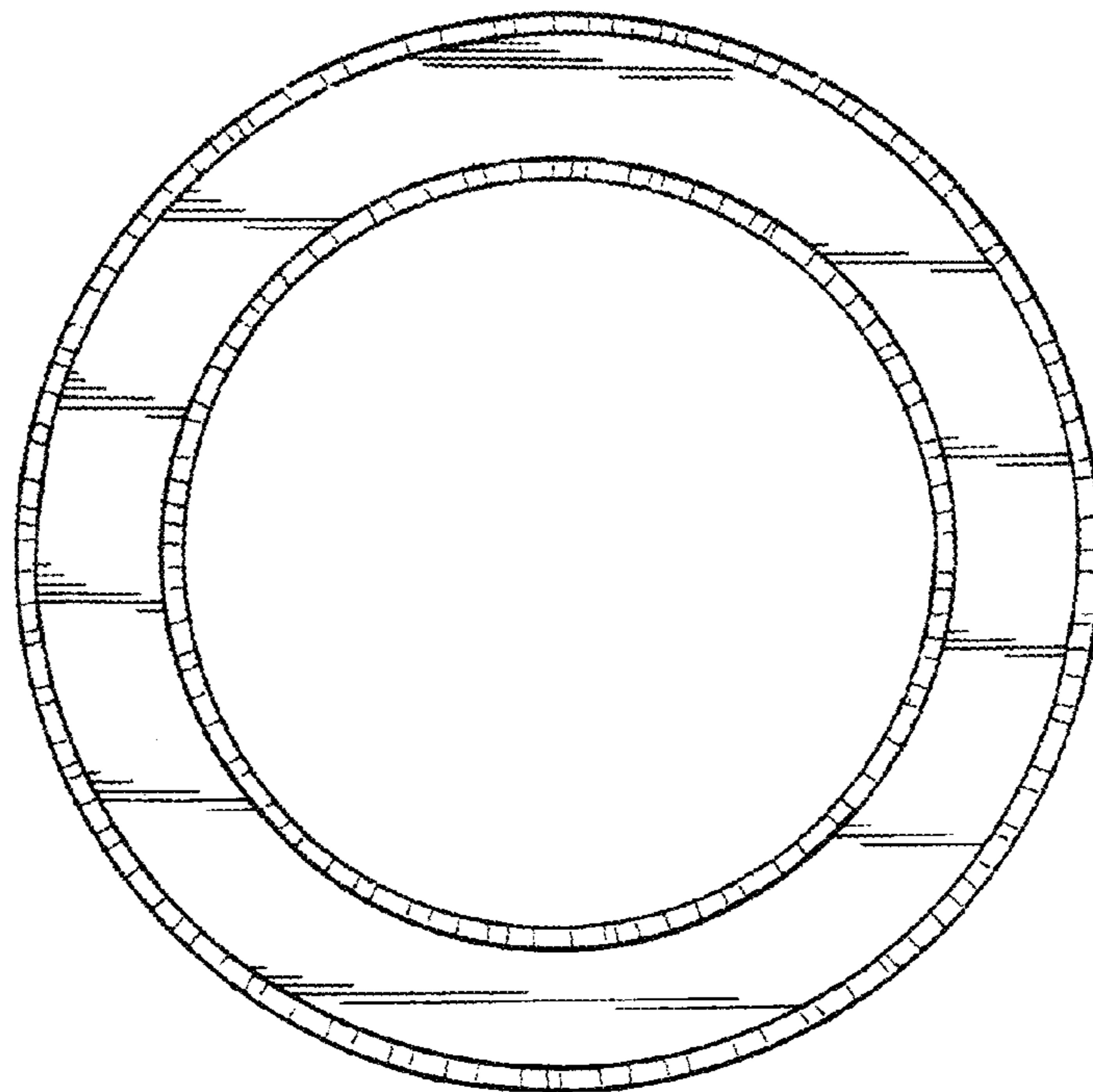


FIG. 3

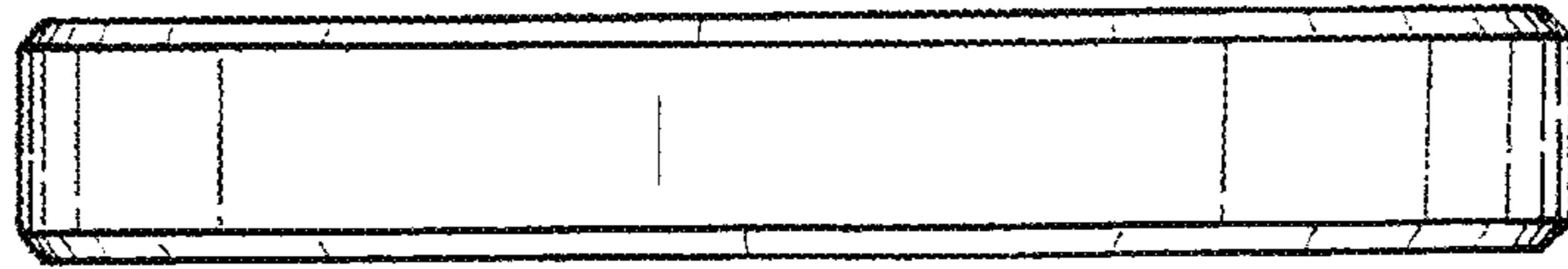


FIG. 4

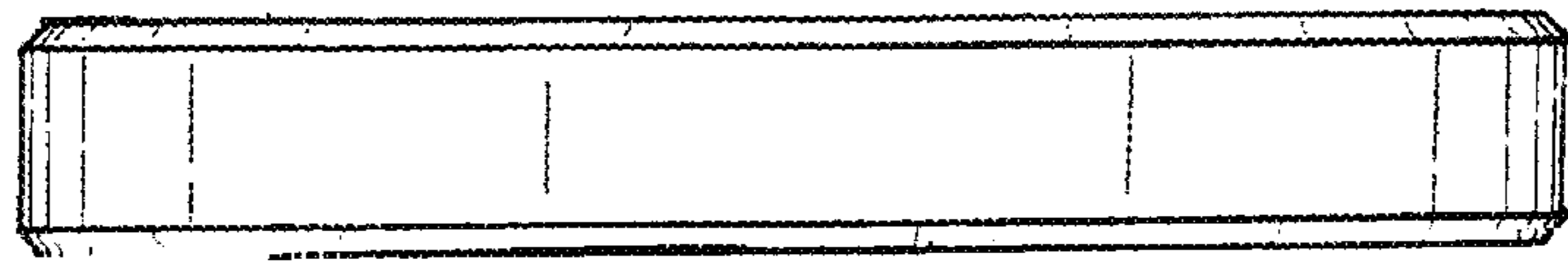


FIG. 5

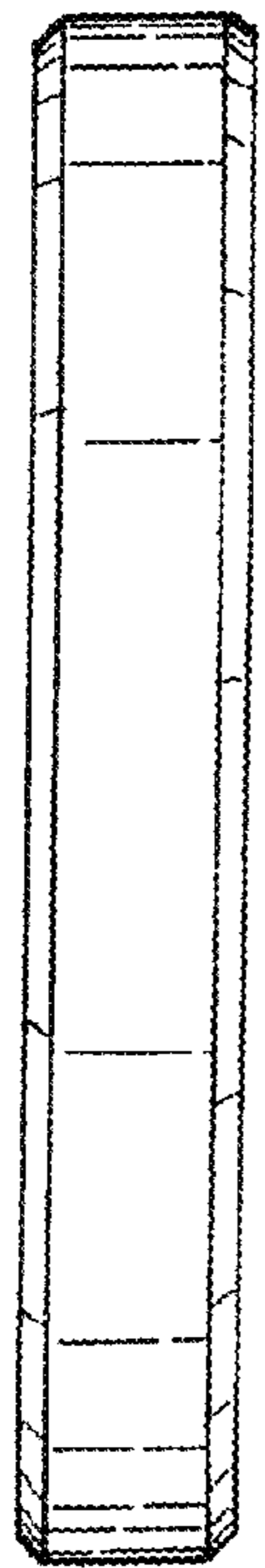


FIG. 6



FIG. 7

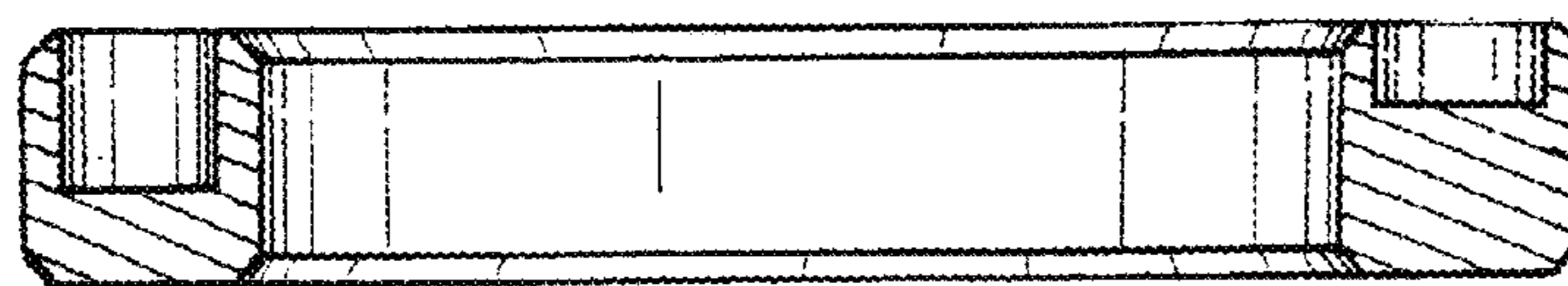


FIG. 8

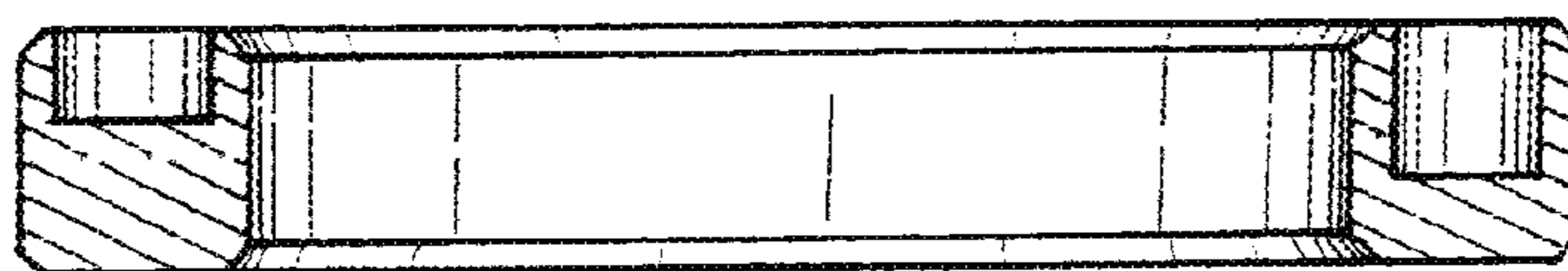


FIG. 9

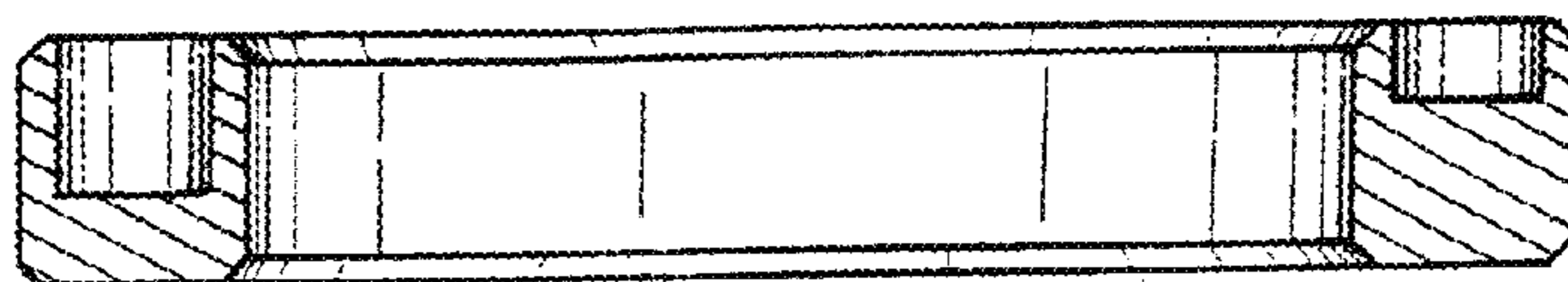


FIG. 10