



US00D766703S

(12) **United States Design Patent** (10) **Patent No.:** **US D766,703 S**
Hill (45) **Date of Patent:** **** Sep. 20, 2016**

- (54) **SHIMLESS SPACER**
- (71) Applicant: **Jonathan A. Hill**, Clintonville, WI (US)
- (72) Inventor: **Jonathan A. Hill**, Clintonville, WI (US)
- (73) Assignee: **STEEL KING INDUSTRIES, INC.**, Stevens Point, WI (US)
- (**) Term: **15 Years**
- (21) Appl. No.: **29/505,704**
- (22) Filed: **Jan. 12, 2016**

D445,077	S *	7/2001	Lovitt, Jr.	D12/207
D633,872	S	3/2011	Shen et al.	
D654,348	S *	2/2012	Musselman	D8/349
D658,973	S	5/2012	Drake	
D658,978	S	5/2012	Linares	
8,206,072	B2 *	6/2012	Wagner	F16B 37/0821 24/132 AA
8,579,572	B1	11/2013	Psimas	
D695,591	S	12/2013	Ackerman et al.	
D700,501	S	3/2014	Ackerman et al.	
D714,630	S *	10/2014	Irgens	D8/394
D744,821	S *	12/2015	May	D8/397
D750,467	S *	3/2016	Hill	D8/349
2004/0149033	A1 *	8/2004	Hansen	G01M 1/045 73/487
2013/0322797	A1	12/2013	Barth et al.	
2015/0008722	A1 *	1/2015	Bride	B60B 11/02 301/13.2
2015/0176434	A1 *	6/2015	Gerend	F23R 3/002 411/531

Related U.S. Application Data

- (62) Division of application No. 29/463,135, filed on Aug. 12, 2013, now Pat. No. Des. 750,467.
- (51) **LOC (10) Cl.** **08-08**
- (52) **U.S. Cl.**
USPC **D8/354**
- (58) **Field of Classification Search**
USPC D8/349, 354, 394-399, 499, 382;
D13/155, 173; D23/259, 269; D12/159
CPC F16B 1/00; F16B 39/24; F16B 43/00;
F16C 11/06; B65H 49/32; B65H 54/00;
B60B 11/00; G01M 1/00
See application file for complete search history.

References Cited

U.S. PATENT DOCUMENTS

1,792,122	A	6/1928	Rafter
D198,713	S	7/1964	Curtiss
3,309,117	A	3/1967	Gottschald
4,008,598	A	2/1977	Purcupile et al.
5,060,498	A	10/1991	Seto et al.
5,175,999	A	1/1993	Hara et al.
D347,567	S	6/1994	Duffy
5,327,762	A	7/1994	Nagamine et al.
D372,192	S	7/1996	Pigott et al.
5,599,264	A	2/1997	Hashimoto et al.
D380,959	S	7/1997	Mitchell

OTHER PUBLICATIONS

Sparco Wheel Spacer, dated Jul. 8, 2012, [online], [site visited Jun. 29, 2016]. Available from Internet, <URL: <http://www.sparcousa.com/product/wheel-spacers>>.*

* cited by examiner

Primary Examiner — Thomas Johannes
Assistant Examiner — Shawn T Gingrich
(74) *Attorney, Agent, or Firm* — Richard John Bartz

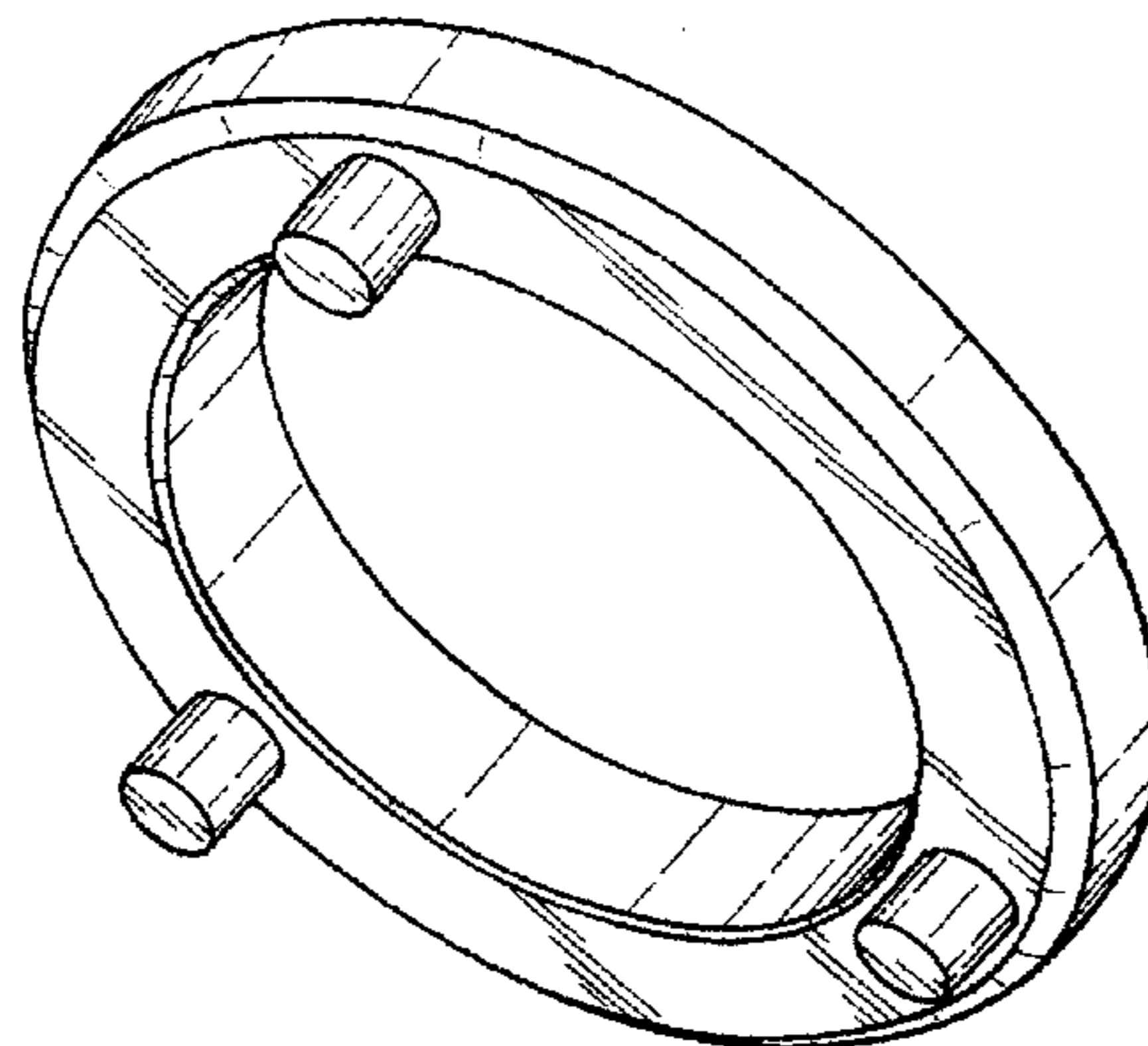
(57) **CLAIM**

The ornamental design for a shimless spacer, as shown and described.

DESCRIPTION

FIG. 1 is a perspective view of a shimless spacer of my new design;
FIG. 2 is a front elevational view thereof;
FIG. 3 is a rear elevational view thereof;
FIG. 4 is a top plan view thereof;
FIG. 5 is a bottom plan view thereof;
FIG. 6 is a side elevational view of the left side thereof; and,
FIG. 7 is a side elevational view of the right side thereof.

1 Claim, 3 Drawing Sheets



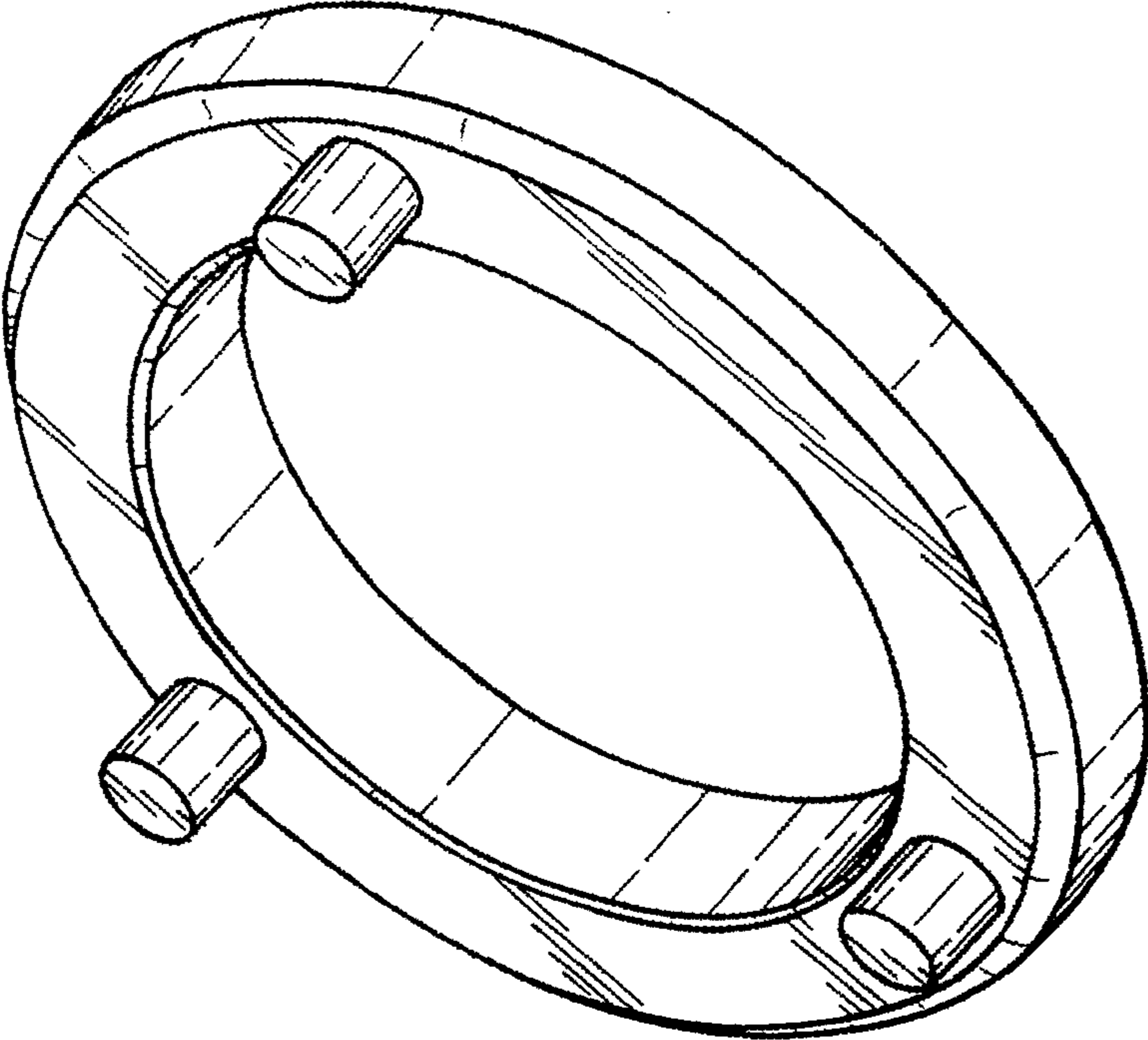


FIG. 1

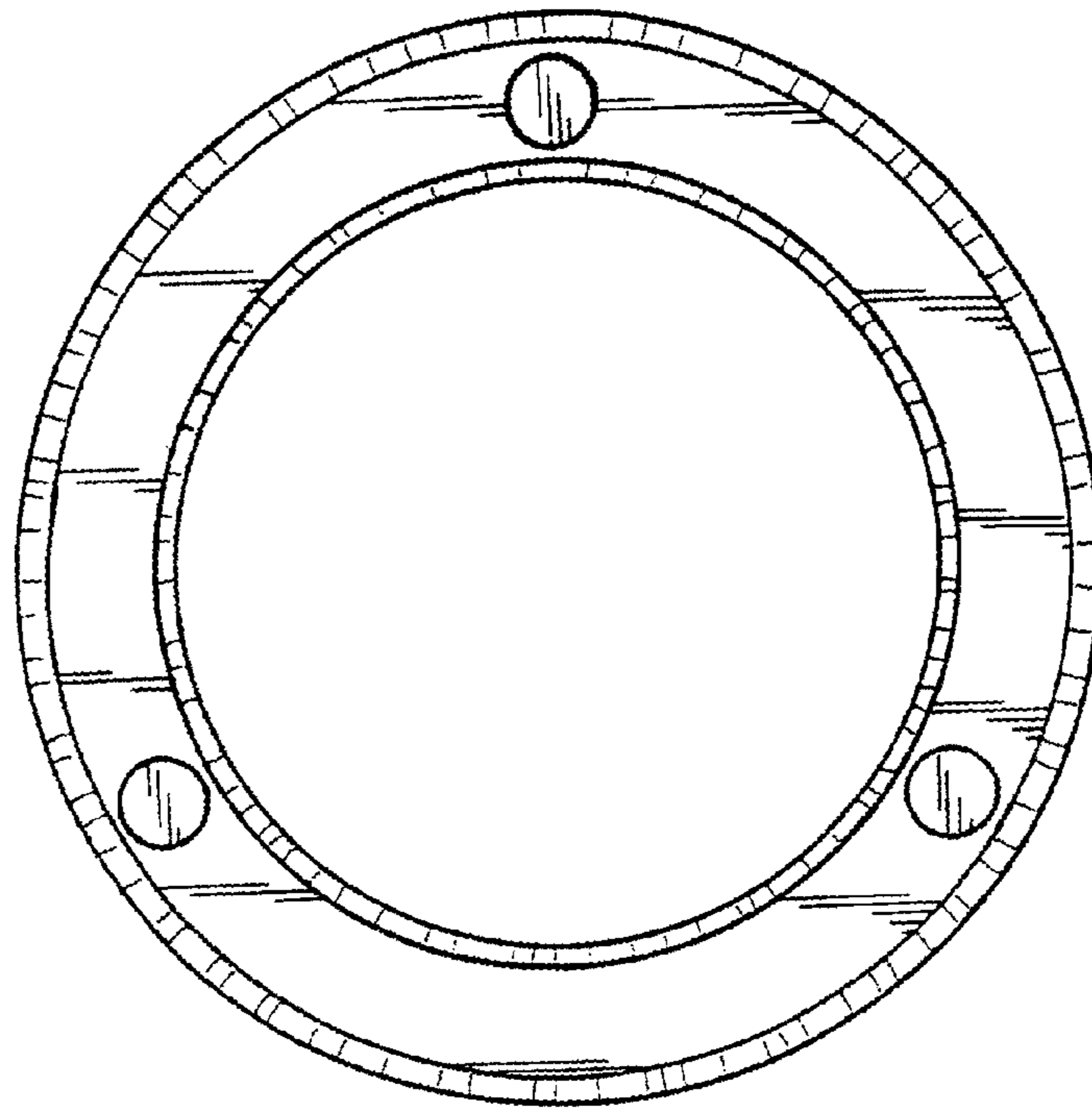


FIG. 2

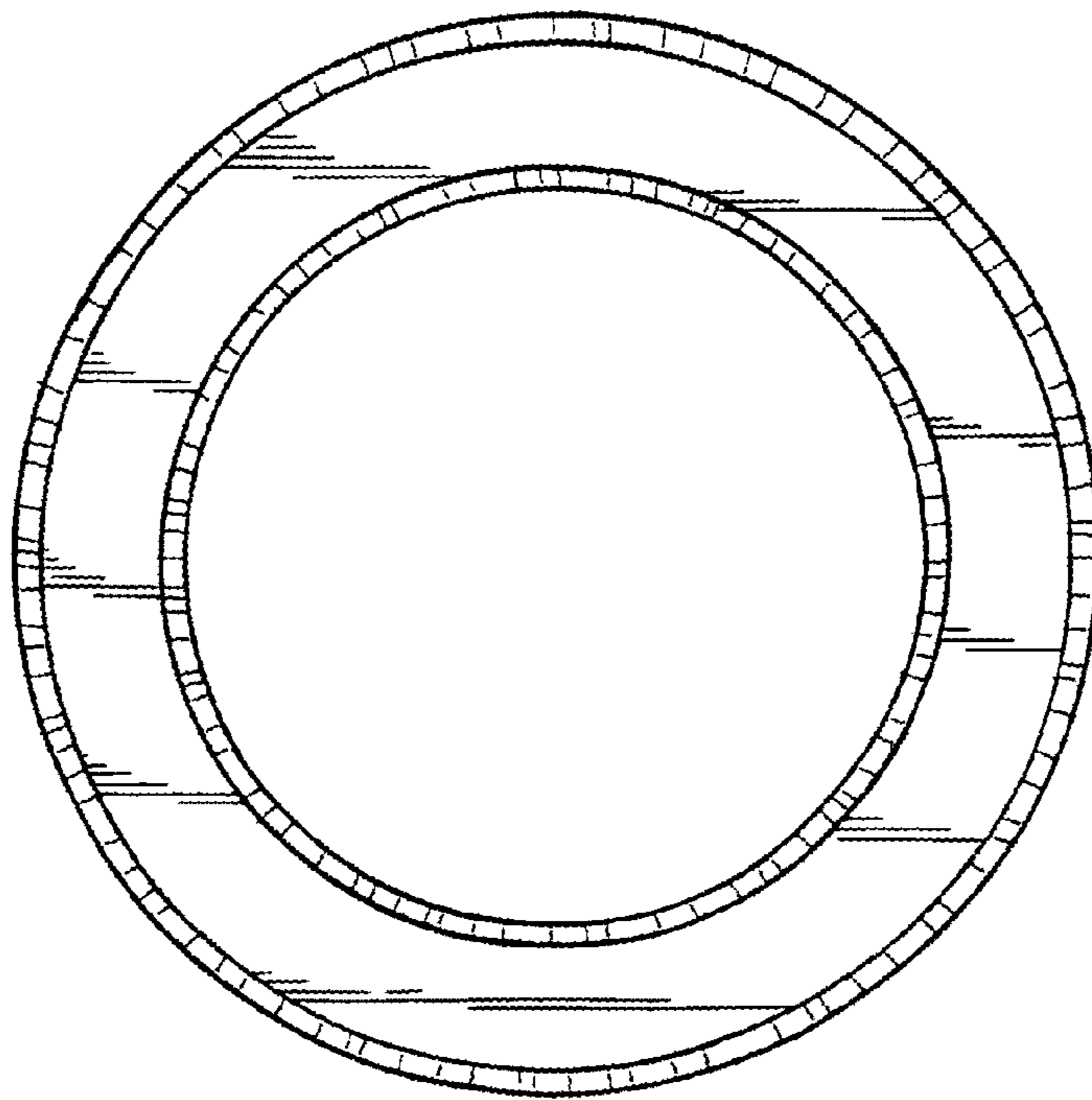


FIG. 3

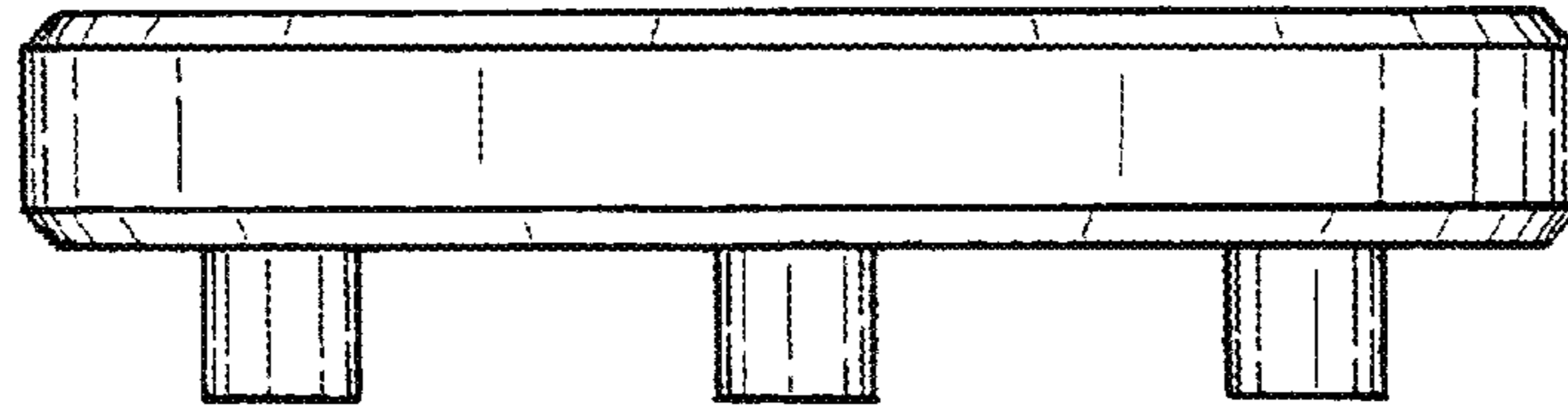


FIG. 4

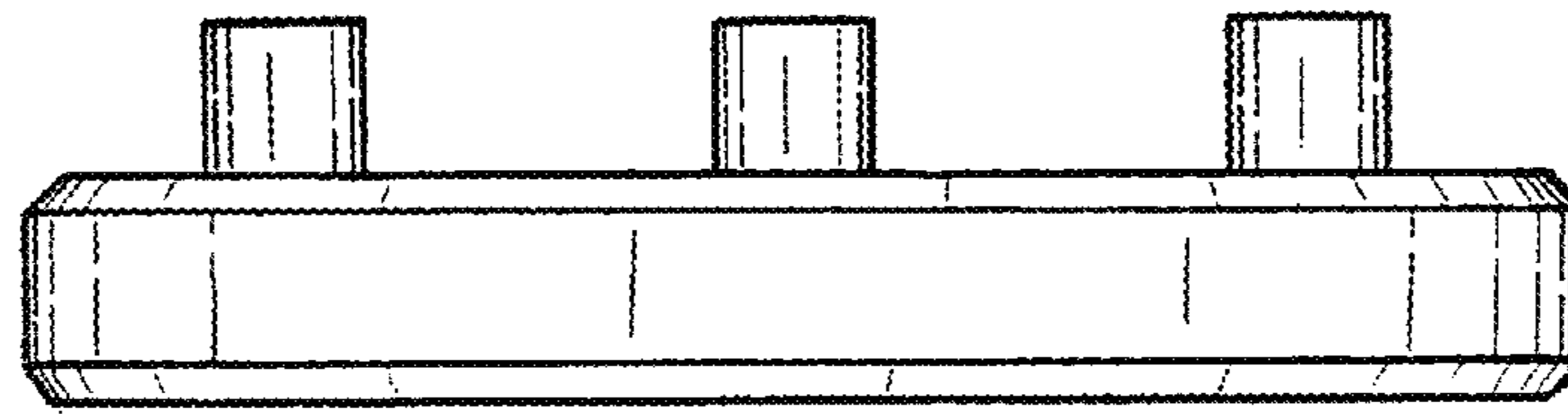


FIG. 5

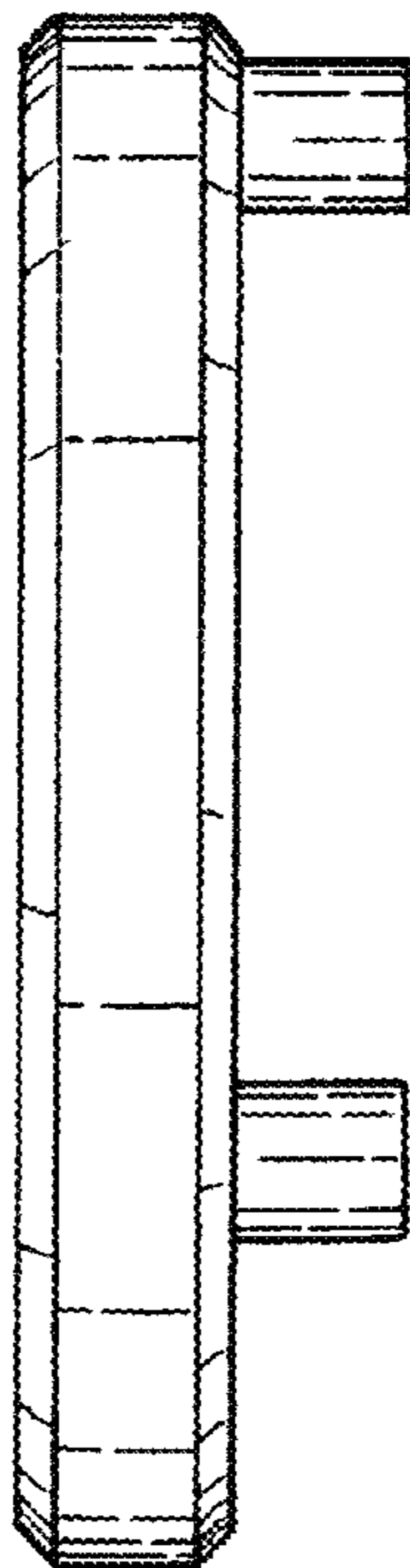


FIG. 6

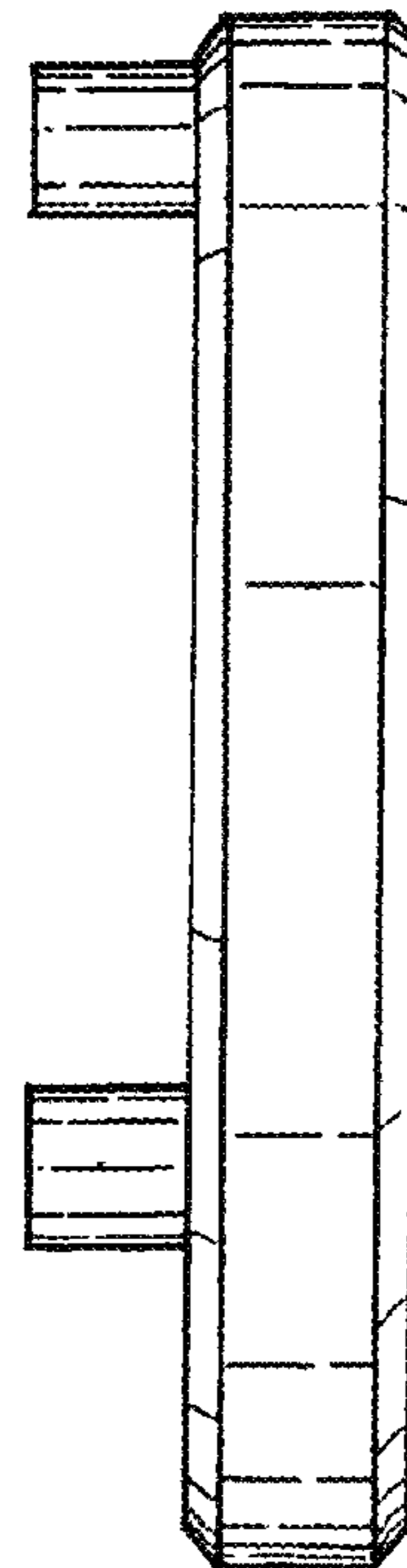


FIG. 7