



US00D766702S

(12) **United States Design Patent**
Hope

(10) **Patent No.:** **US D766,702 S**

(45) **Date of Patent:** **** Sep. 20, 2016**

(54) **CORE CHUCK**

(71) Applicant: **Harry Hope**, Rochester, NH (US)

(72) Inventor: **Harry Hope**, Rochester, NH (US)

(**) Term: **14 Years**

(21) Appl. No.: **29/473,518**

(22) Filed: **Nov. 22, 2013**

(51) **LOC (10) Cl.** **08-05**

(52) **U.S. Cl.**

USPC **D8/354**

(58) **Field of Classification Search**

USPC D8/349, 354-355, 380, 382-383, 394;
D13/155, 102, 118, 154, 184, 199;
D25/119, 123, 124, 125; D21/484,
D21/500, 504

CPC F24J 2/07; F24J 2/14; F24J 2/541;
F24J 2/542; F24J 2/38; Y02E 10/47; Y02E
10/45; Y02E 10/50; Y02E 10/60; E04H
9/022; E04H 9/021; E02D 27/34; E04B
1/98; H01L 35/00; H01L 31/0522; H01L
35/08; H01L 31/052; H01L 31/042; H01L
31/05; H01L 27/1423; H01L 31/048; H01L
31/045; H01L 31/055; B64G 1/443; B64G
1/222; B60G 2202/143; B65H 75/246;
Y10T 279/1074; Y10T 483/17; B23B
31/1612; B23B 31/16125; B23B 31/40

See application file for complete search history.

(56) **References Cited**

U.S. PATENT DOCUMENTS

3,993,317 A * 11/1976 Flagg 279/2.19
5,624,586 A * 4/1997 Sobr et al. 219/121.48
D408,268 S * 4/1999 Dunn D8/354
6,367,733 B1 * 4/2002 McLaughlin 242/575.3
D488,704 S * 4/2004 Mercier D8/354

D489,078 S * 4/2004 Roy D15/140
D517,900 S * 3/2006 Goldenberg et al. D8/354
D657,232 S * 4/2012 Stahl et al. D8/354
D677,730 S * 3/2013 Yu Chen D19/69
D698,624 S * 2/2014 Chou D8/354
D716,638 S * 11/2014 McDonald D8/354
2004/0256518 A1 * 12/2004 Hope 242/571
2013/0292914 A1 * 11/2013 Pienta et al. 279/2.19

OTHER PUBLICATIONS

Double E Company, "DF-2000 Torque Activated Core Chucks", product advertisement retrieved from <http://ee-co.com/products/torque-activated-shaftless-core-chucks> on Apr. 11, 2016, 7 pgs, with attached image.

* cited by examiner

Primary Examiner — Rosemary K Tarcza

Assistant Examiner — Nathaniel D Buckner

(74) *Attorney, Agent, or Firm* — Grossman Tucker Perreault & Pflieger, PLLC

(57) **CLAIM**

The ornamental design for the core chuck, as shown and described.

DESCRIPTION

FIG. 1 is a top perspective view of a core chuck showing my design;

FIG. 2 is a bottom perspective view thereof;

FIG. 3 is a front elevation view thereof;

FIG. 4 is a back elevation view thereof;

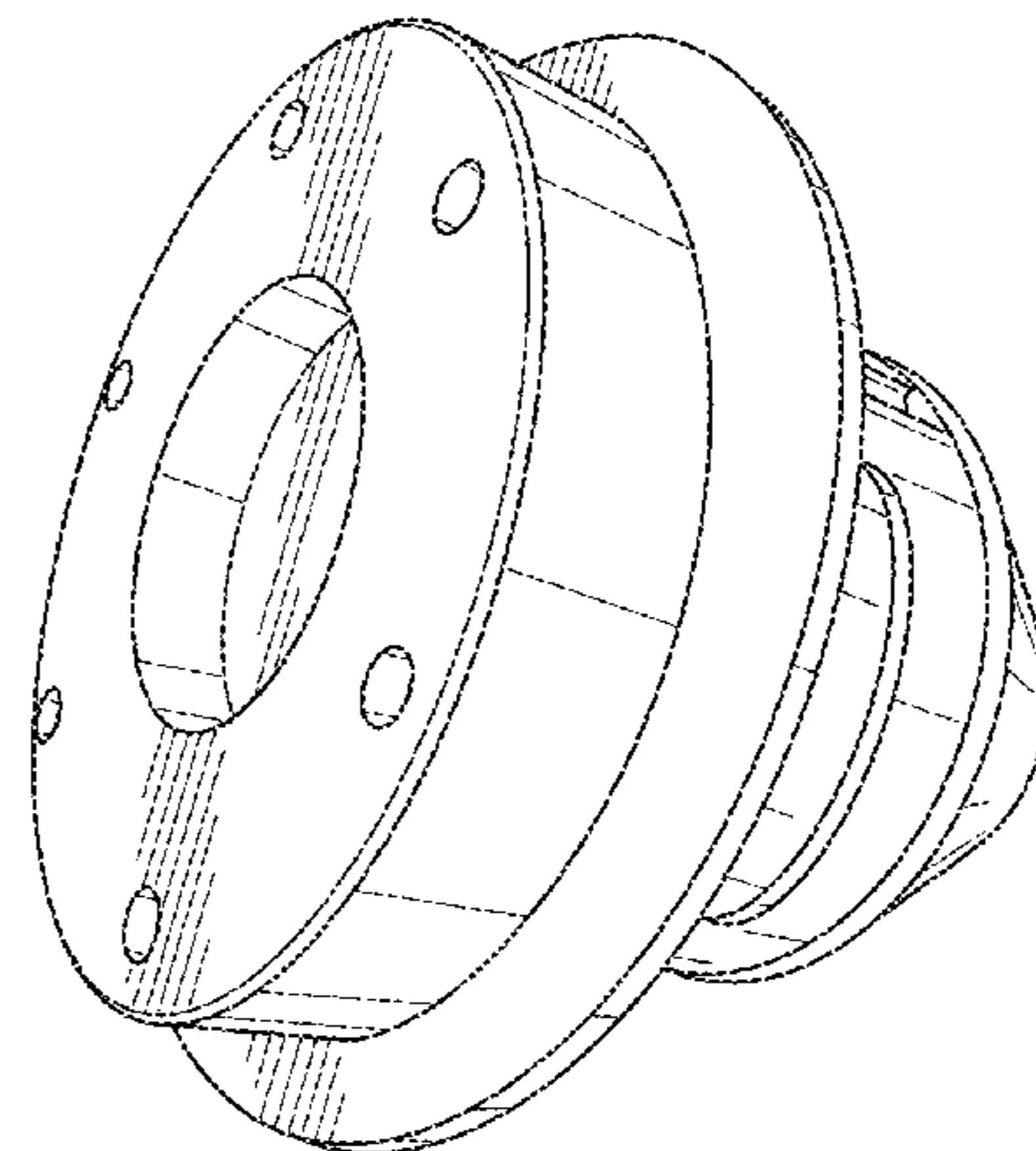
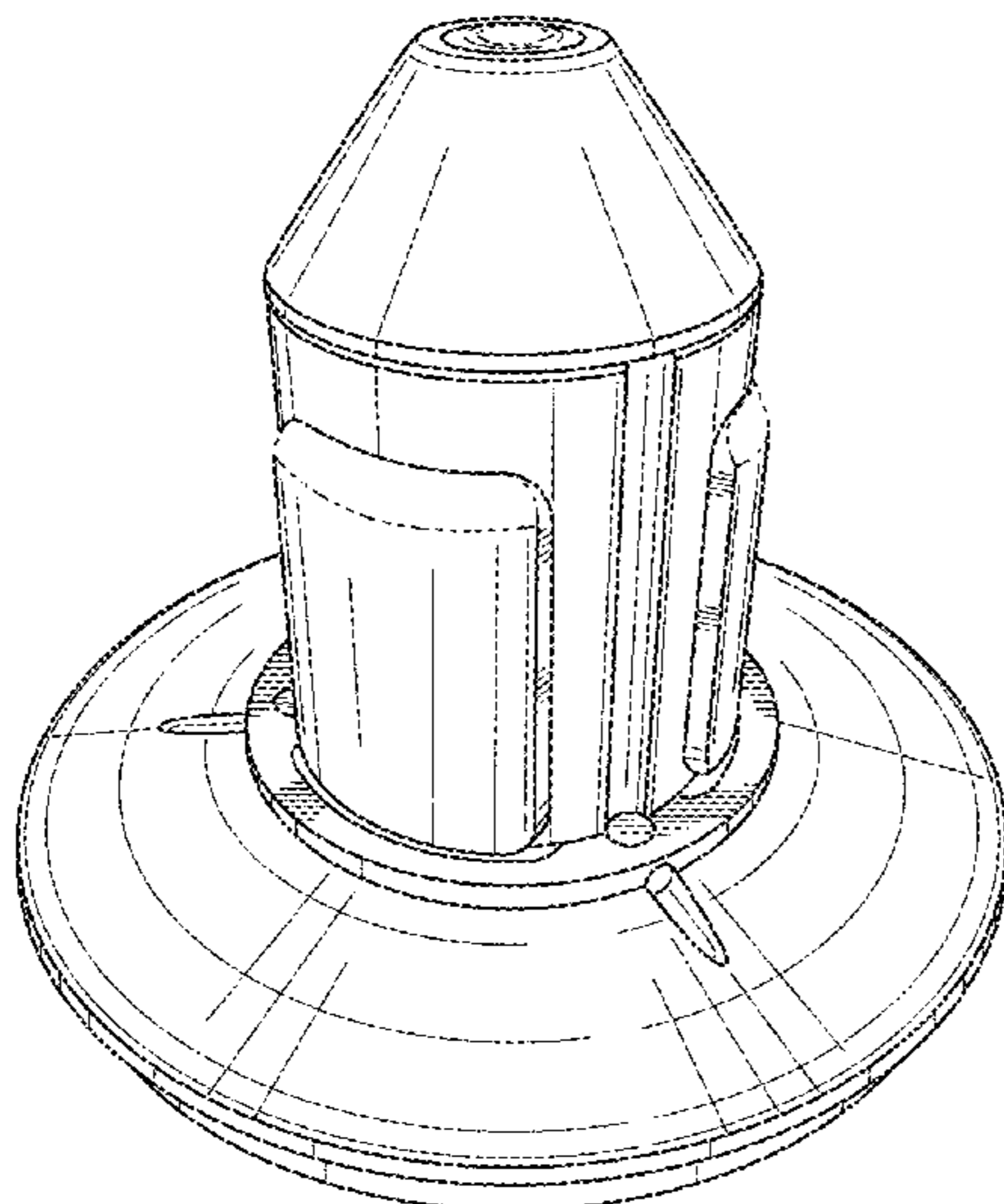
FIG. 5 is a side elevation view thereof, opposite side being a mirror image thereof;

FIG. 6 is a top plan view thereof; and,

FIG. 7 is a bottom plan view thereof.

The broken lines present in the figures are included for the purpose of illustrating portions of the article that form no part of the claimed design.

1 Claim, 5 Drawing Sheets



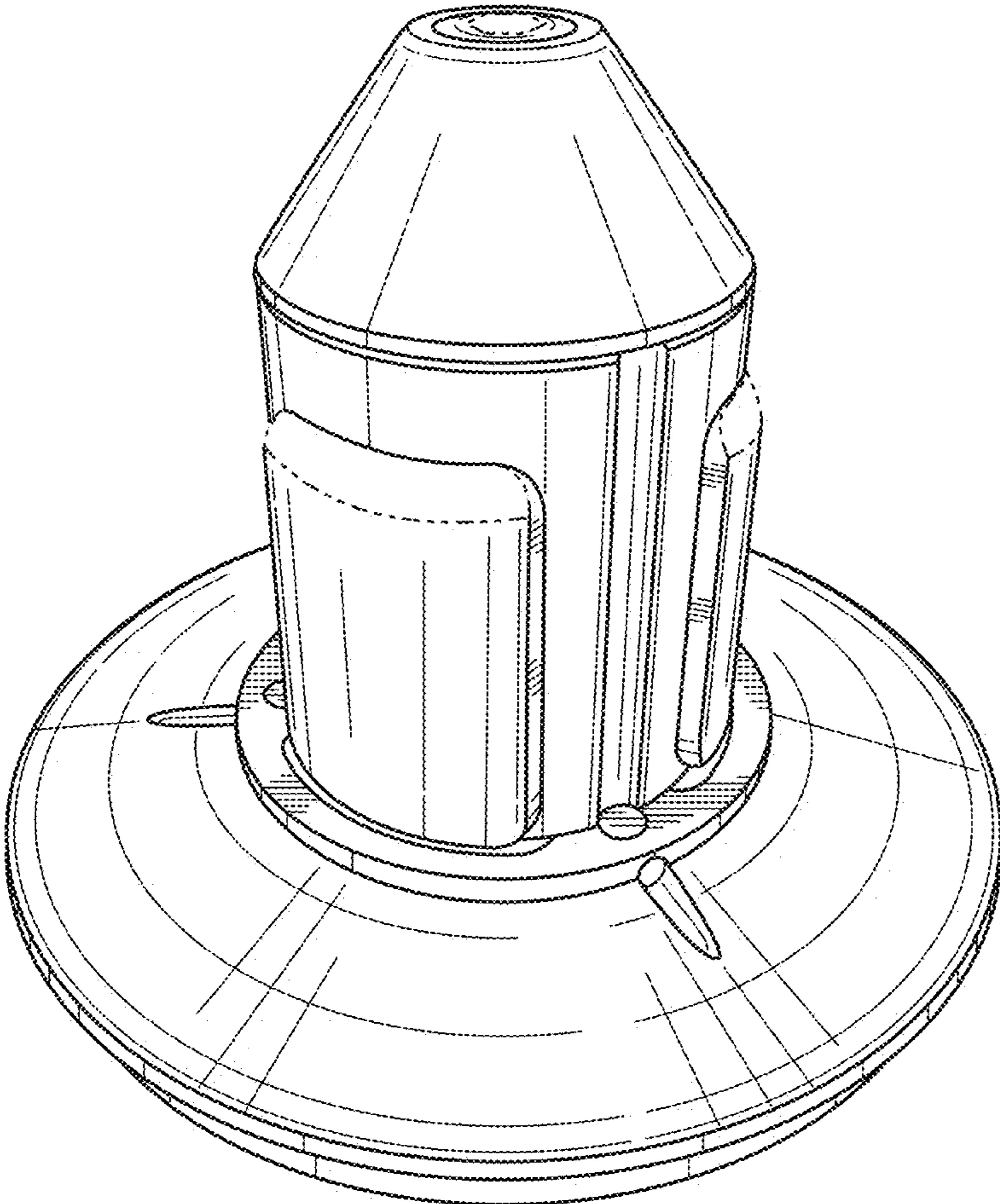


FIG. 1

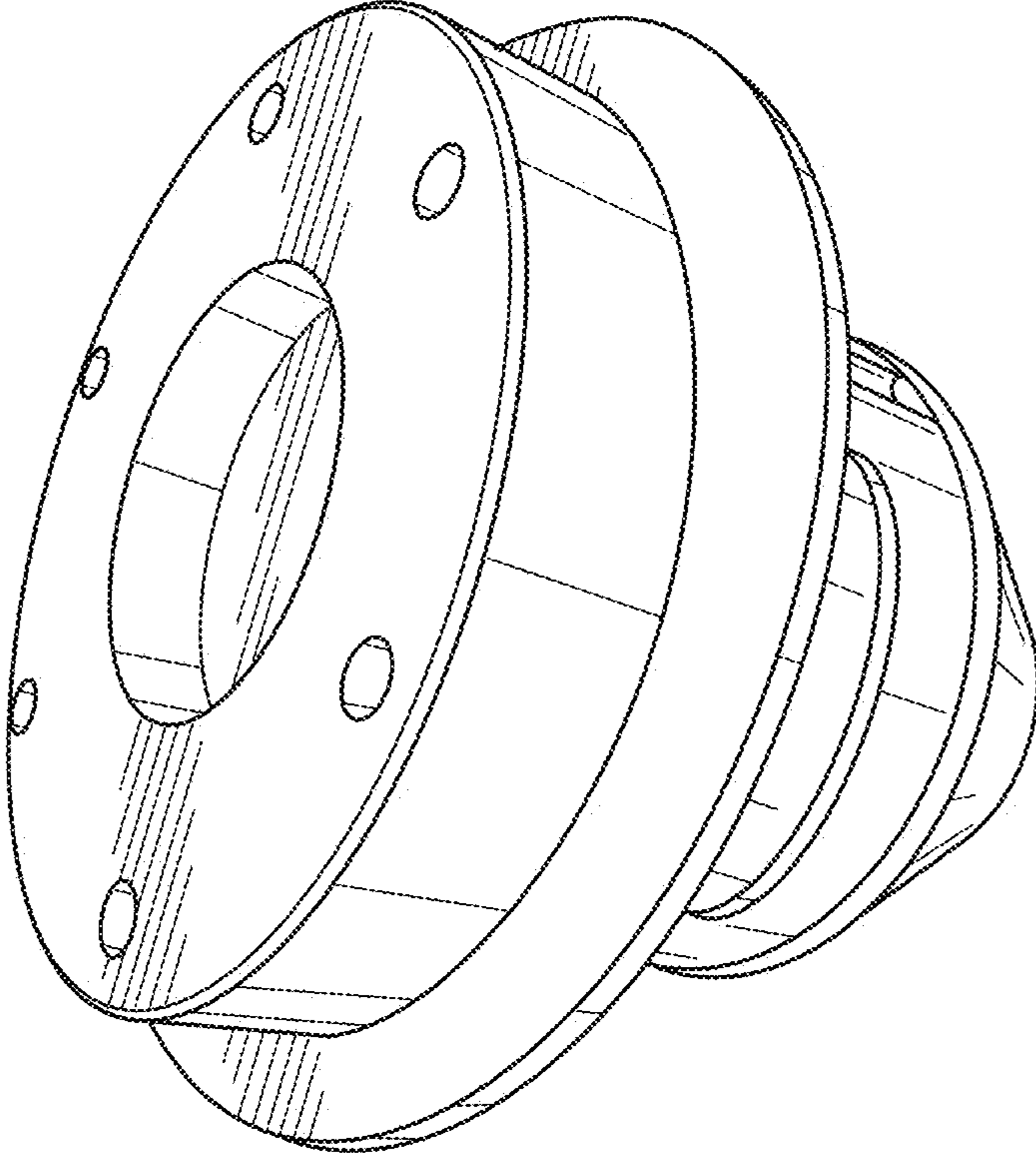


FIG. 2

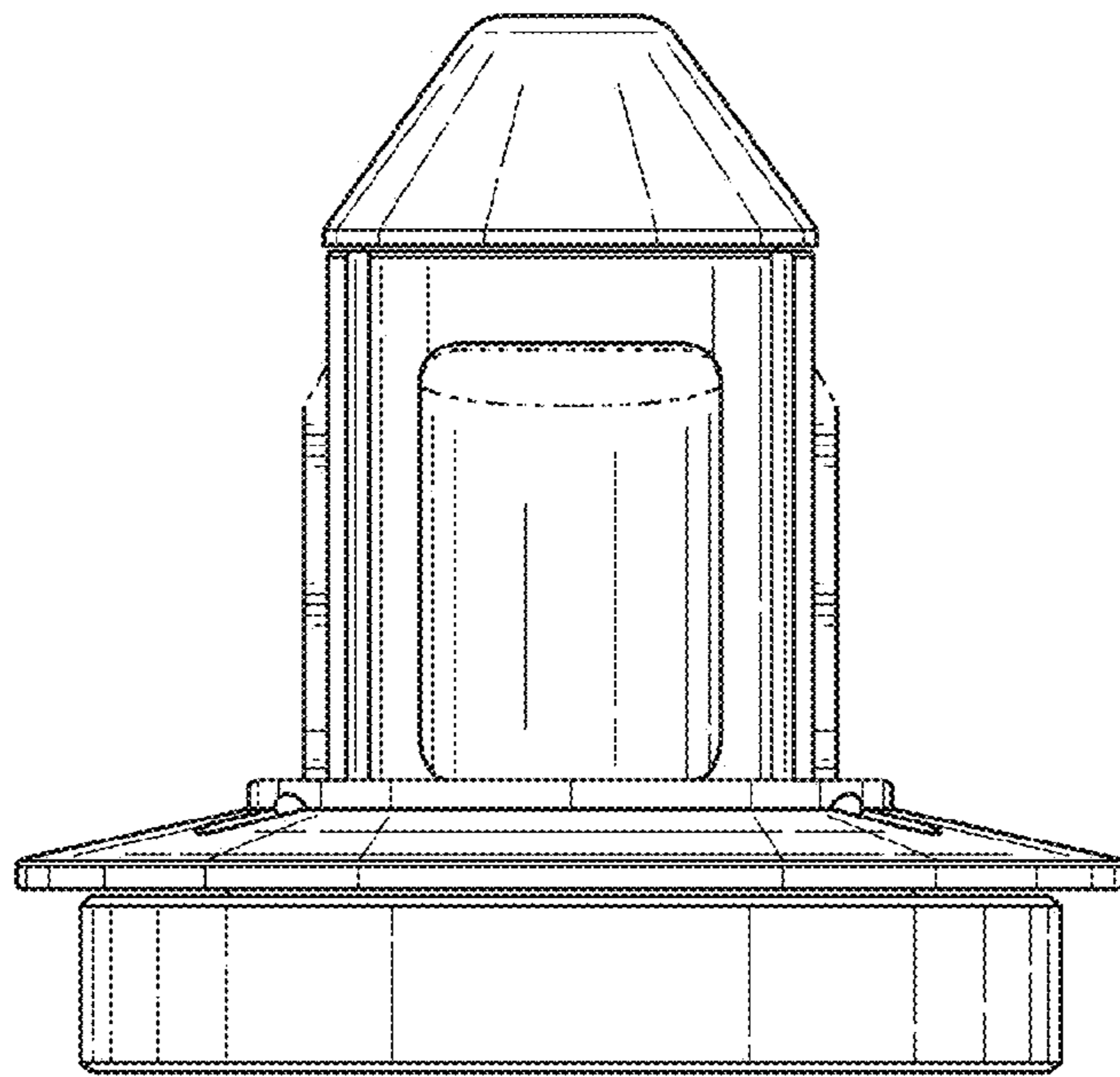


FIG. 3

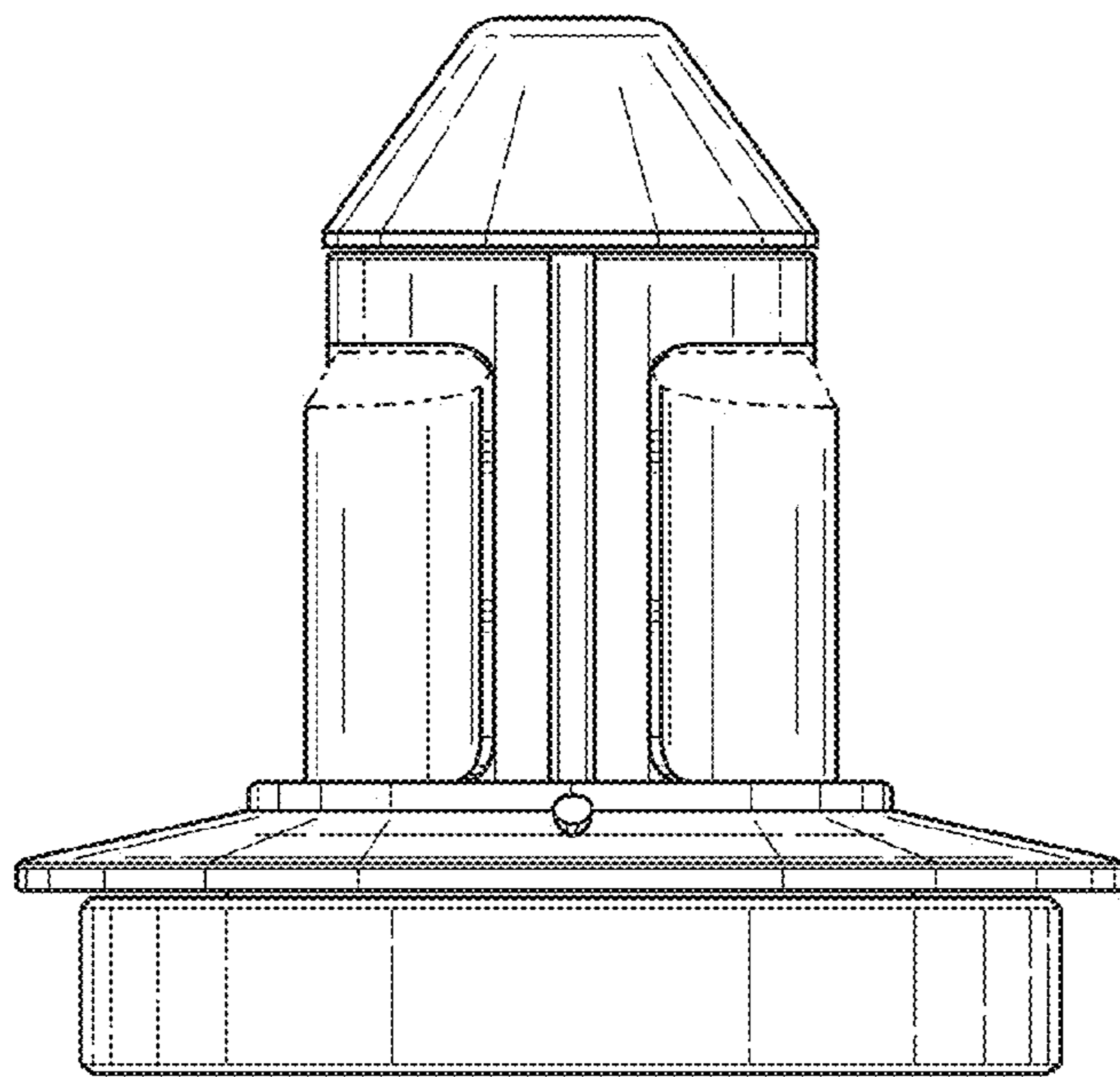


FIG. 4

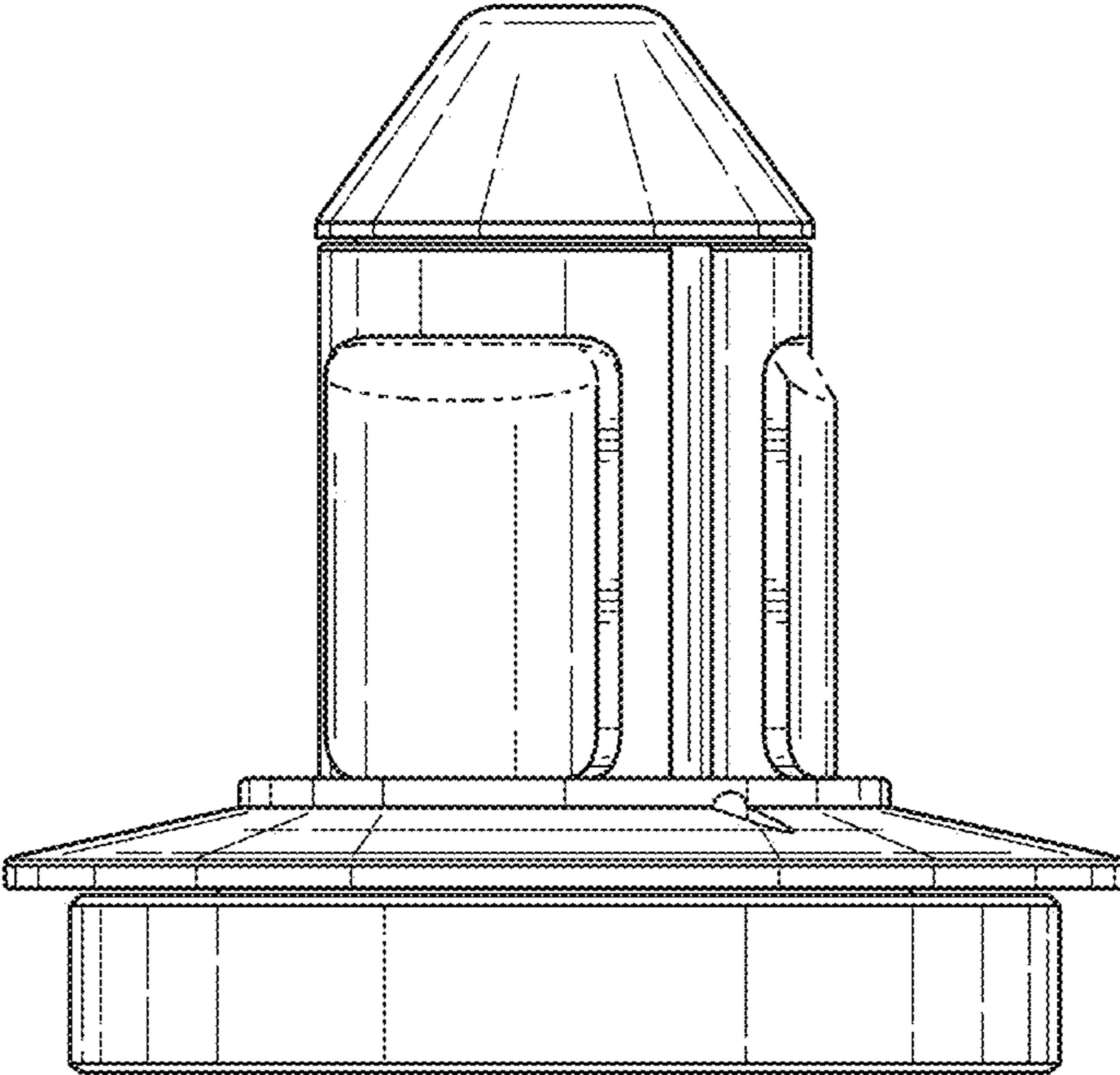


FIG. 5

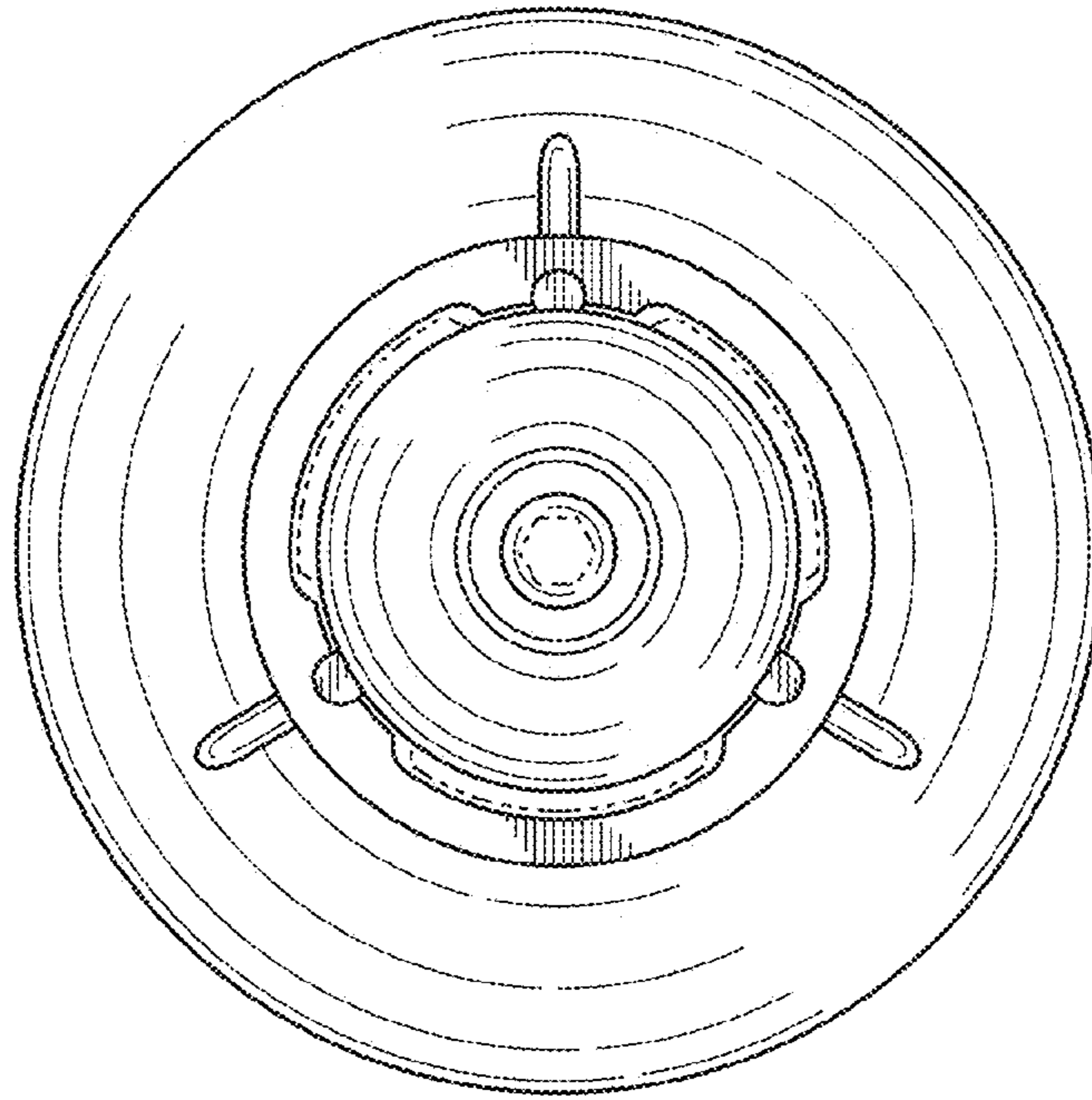


FIG. 6

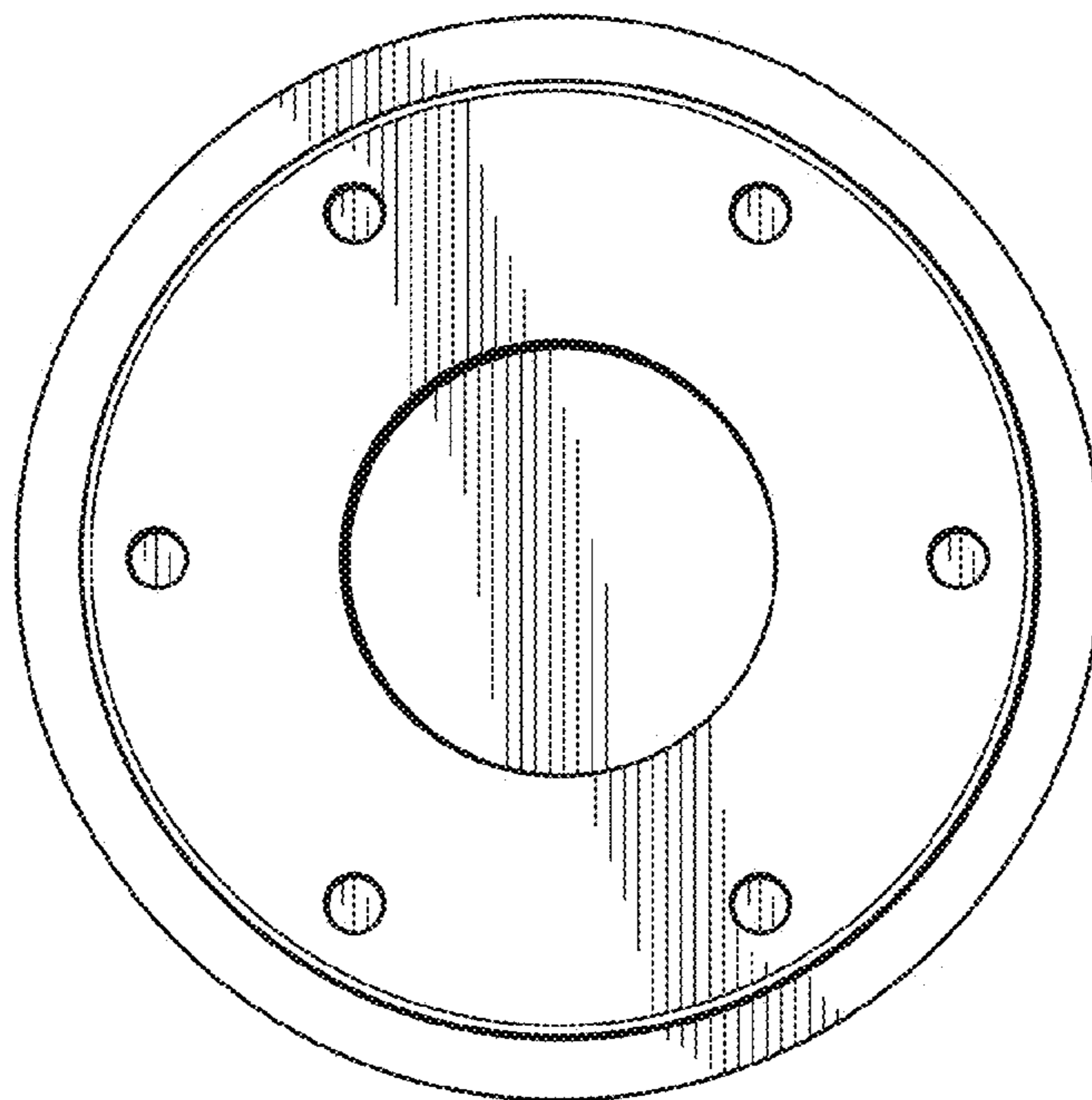


FIG. 7