



US00D766701S

(12) **United States Design Patent** (10) **Patent No.:** **US D766,701 S**  
**Snell** (45) **Date of Patent:** **\*\* Sep. 20, 2016**

(54) **GABLE LADDER BRACKET**

(71) Applicant: **Jim Snell**, Okotoks (CA)

(72) Inventor: **Jim Snell**, Okotoks (CA)

(\*\*) Term: **15 Years**

(21) Appl. No.: **29/530,760**

(22) Filed: **Jun. 19, 2015**

(51) **LOC (10) Cl.** ..... **08-08**

(52) **U.S. Cl.**  
USPC ..... **D8/349**

(58) **Field of Classification Search**  
USPC ..... D8/349, 354, 363, 366, 371, 373, 380,  
D8/381, 382, 384; 52/707, 712, 715, 98,  
52/100, 696, 697, 188, 191, 702, 745.06,  
52/189, 506.5, 586.1; 248/48.1, 519, 300,  
248/237, 309.1, 238; D25/137, 133;  
256/11; 174/45 R, 46, 40 R, 45 TD,  
174/40 CCC, 43, 493; 220/251, 284;  
362/431; 411/402  
CPC ..... E04H 17/14; E04H 17/24; E04H 17/00;  
E04H 17/10; E04H 17/02; E04C 3/02;  
E04C 3/42; E04C 2003/026; E04B  
2001/2696; E04B 2001/2644; E04B  
2001/405; E04B 1/2612; E04B 1/26; E04B  
1/2608; E04B 1/003; E04B 1/2604  
See application file for complete search history.

(56) **References Cited**

**U.S. PATENT DOCUMENTS**

3,125,785 A \* 3/1964 Conville ..... E04B 2/80  
52/238.1  
D275,264 S \* 8/1984 Wegener, II ..... 248/300

D275,450 S \* 9/1984 Wegener, II ..... D8/373  
4,594,017 A \* 6/1986 Hills ..... E04B 1/2612  
403/232.1  
D492,889 S \* 7/2004 Craine ..... D8/354  
D534,905 S \* 1/2007 Sergi ..... D14/238  
D538,630 S \* 3/2007 Sergi ..... D8/354  
D566,526 S \* 4/2008 Robbins, III ..... D8/354  
D585,667 S \* 2/2009 Levy ..... D6/682.2  
7,634,889 B1 \* 12/2009 diGirolamo ..... E04B 1/2403  
403/232.1  
D618,085 S \* 6/2010 Lin ..... D8/354  
D660,134 S \* 5/2012 Yoder ..... D8/354  
D665,656 S \* 8/2012 Anzelmo ..... D8/380  
D701,108 S \* 3/2014 Rodgers ..... D8/354  
D729,042 S \* 5/2015 Guzzoni ..... D8/349

\* cited by examiner

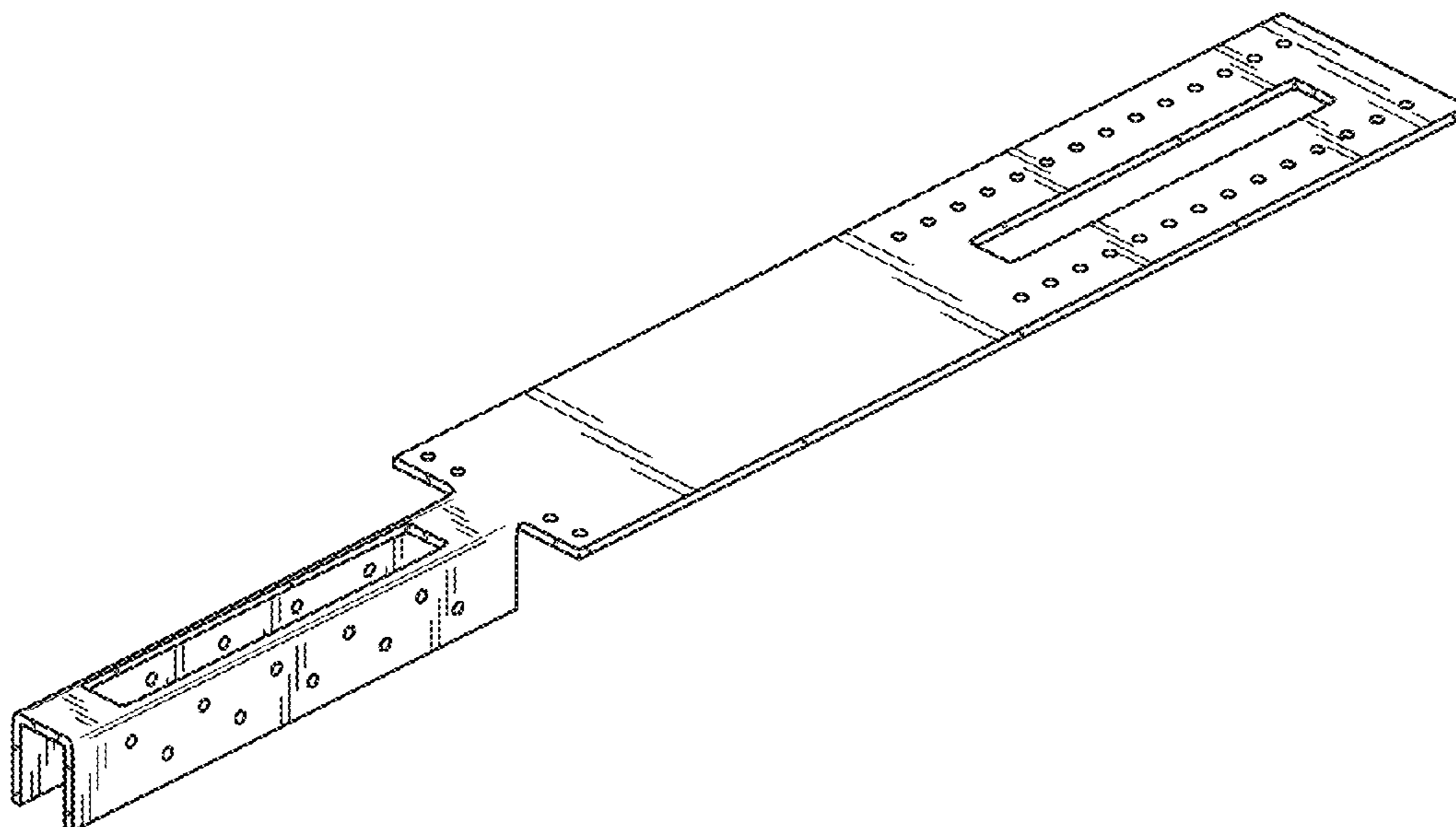
*Primary Examiner* — Mark Goodwin  
(74) *Attorney, Agent, or Firm* — Robert C. Montgomery;  
Montgomery Patent & Design

(57) **CLAIM**  
The ornamental design for a gable ladder bracket, as shown  
and described.

**DESCRIPTION**

FIG. 1 is a perspective front side view of the gable ladder  
bracket, showing my new design;  
FIG. 2 is a front side view thereof;  
FIG. 3 is a back side view thereof;  
FIG. 4 is a left side view with the right side view being a  
mirror image thereof;  
FIG. 5 is a top plan view thereof; and,  
FIG. 6 is a bottom plan view thereof.

**1 Claim, 4 Drawing Sheets**



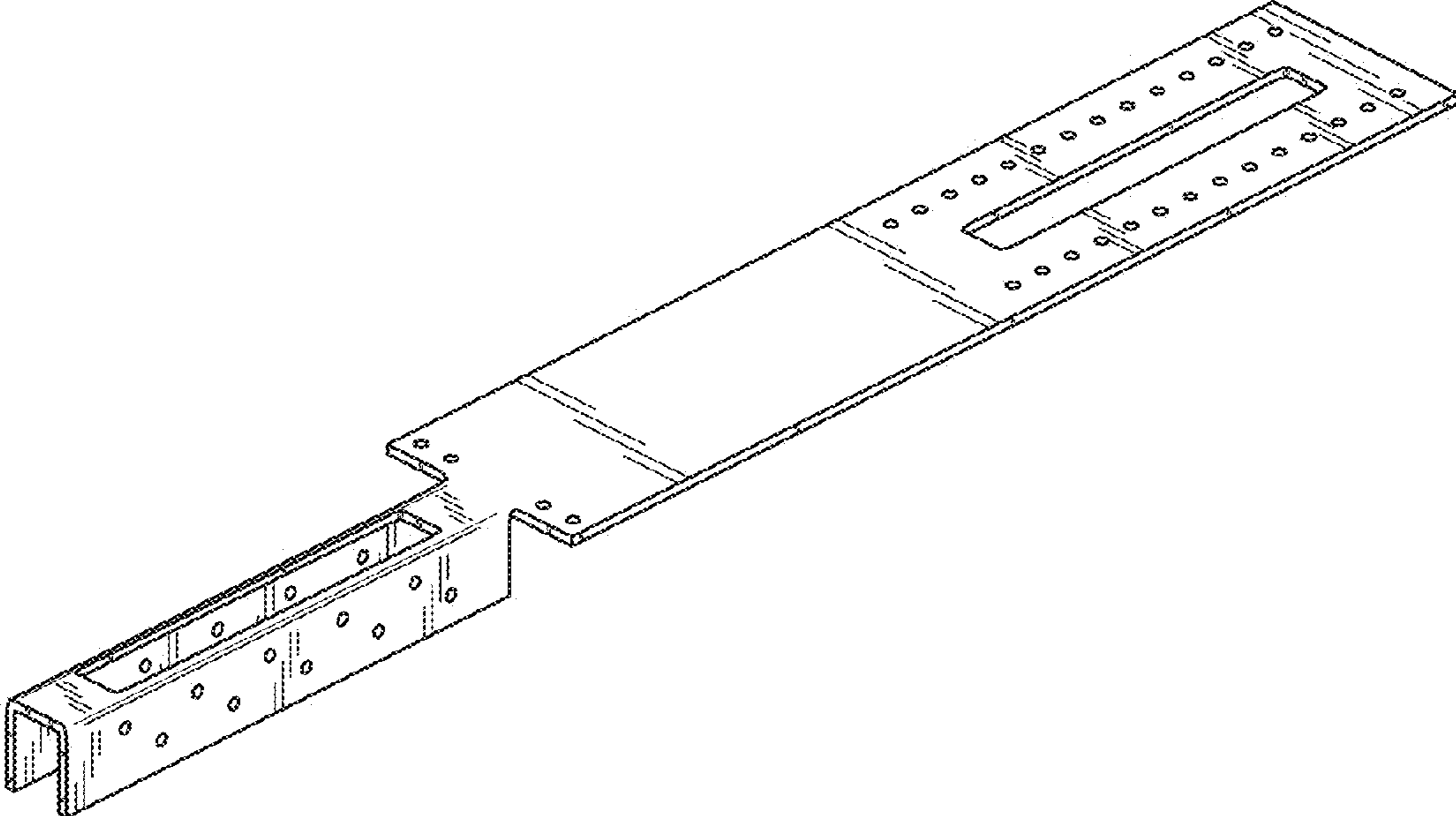


Fig. 1

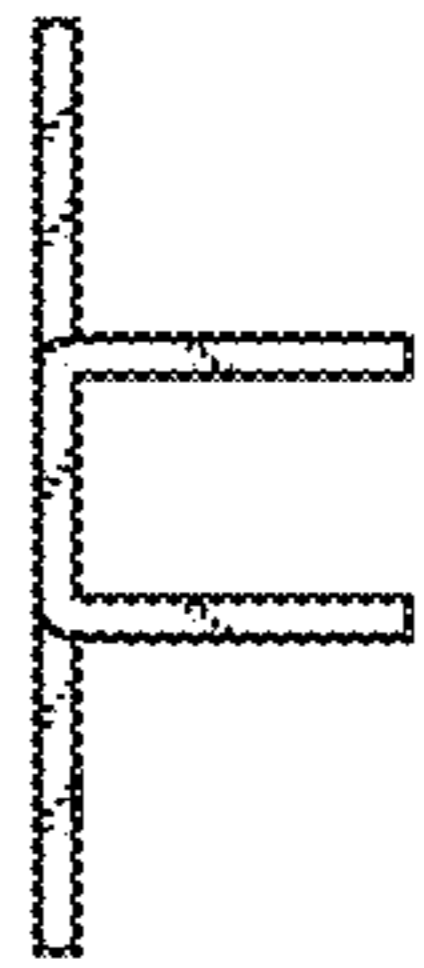


Fig. 2

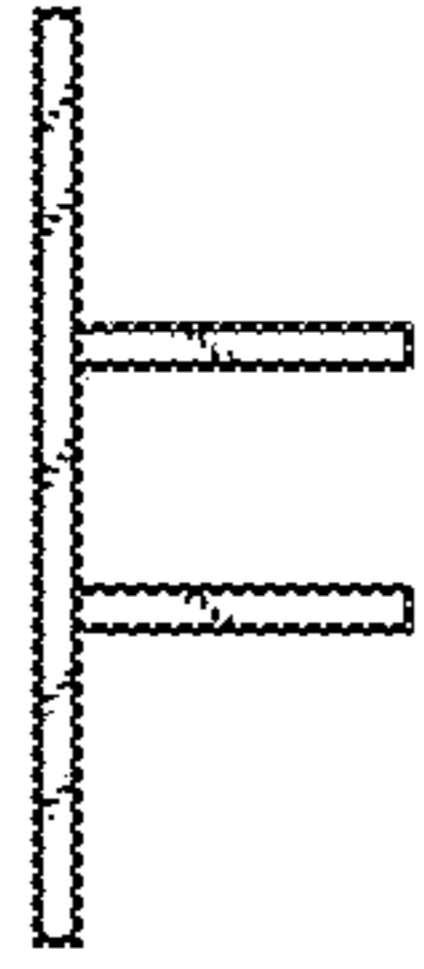


Fig. 3

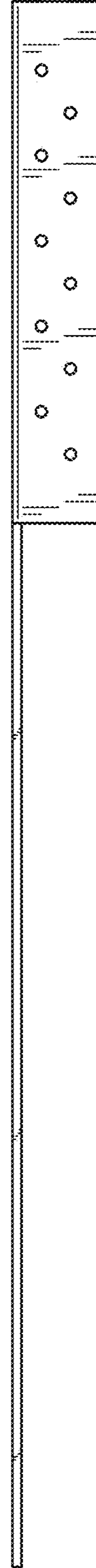


Fig. 4



Fig. 5

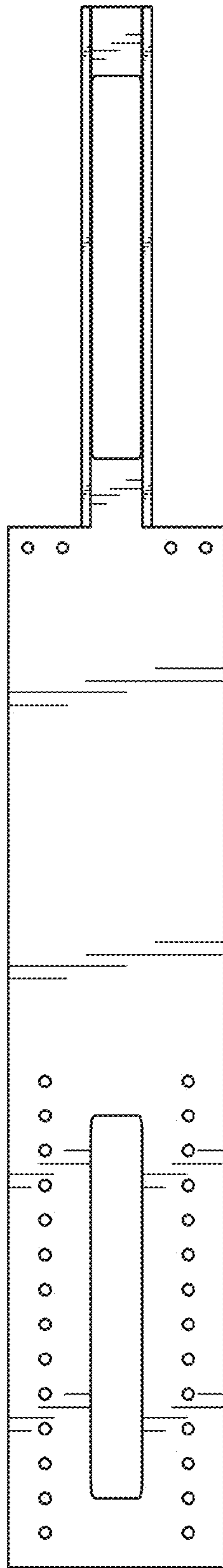


Fig. 6