



US00D766700S

(12) **United States Design Patent**
Iacobucci

(10) **Patent No.:** **US D766,700 S**

(45) **Date of Patent:** **** Sep. 20, 2016**

- (54) **CLOSURE**
- (71) Applicant: **IACOBUCCI HF AEROSPACE S.P.A.**, Ferentino (IT)
- (72) Inventor: **Lucio Iacobucci**, Ferentino (IT)
- (73) Assignee: **IACOBUCCI HF AEROSPACES S.P.A.**, Ferentino (IT)
- (**) Term: **15 Years**
- (21) Appl. No.: **29/533,369**
- (22) Filed: **Jul. 16, 2015**

4,858,973 A *	8/1989	Ogasawara	E05B 85/12 292/347
4,922,487 A *	5/1990	Eilenberger	H04L 12/64 370/411
D383,664 S *	9/1997	Bennett	D8/306
D465,400 S *	11/2002	Moore	D8/331
7,052,053 B2 *	5/2006	Hall	E05C 3/162 292/126
7,572,694 B2 *	8/2009	Choi	H04L 21/76808 257/E21.252
D644,500 S *	9/2011	Baldwin	D8/331
D653,098 S *	1/2012	Mickelson	D8/331
D701,742 S *	4/2014	Rechberg	D8/331
9,085,929 B2 *	7/2015	Johnson	E06B 9/24
D739,205 S *	9/2015	Le	D8/331

* cited by examiner

(30) **Foreign Application Priority Data**

Feb. 15, 2015 (EM) 002627786-0002

(51) **LOC (10) Cl.** **08-07**

(52) **U.S. Cl.**
USPC **D8/331**

(58) **Field of Classification Search**
USPC D8/330, 331, 335, 339, 302, 343;
70/141, 208; 292/336.3, 169, 358, 359,
292/170, 175, 165, 224, 140-145, 240-242,
292/DIG. 14, DIG. 30, DIG. 31, DIG. 4
CPC E05C 1/12; E05C 1/02; E05C 3/12;
E05C 3/08; E05C 19/00; E05B 3/00
See application file for complete search history.

(56) **References Cited**

U.S. PATENT DOCUMENTS

3,046,043 A *	7/1962	Matteson	E05C 1/10 292/1
3,743,336 A *	7/1973	Andrews	E05C 1/145 292/173

Primary Examiner — Prabhakar Deshmukh

(74) *Attorney, Agent, or Firm* — Nixon & Vanderhye P.C.

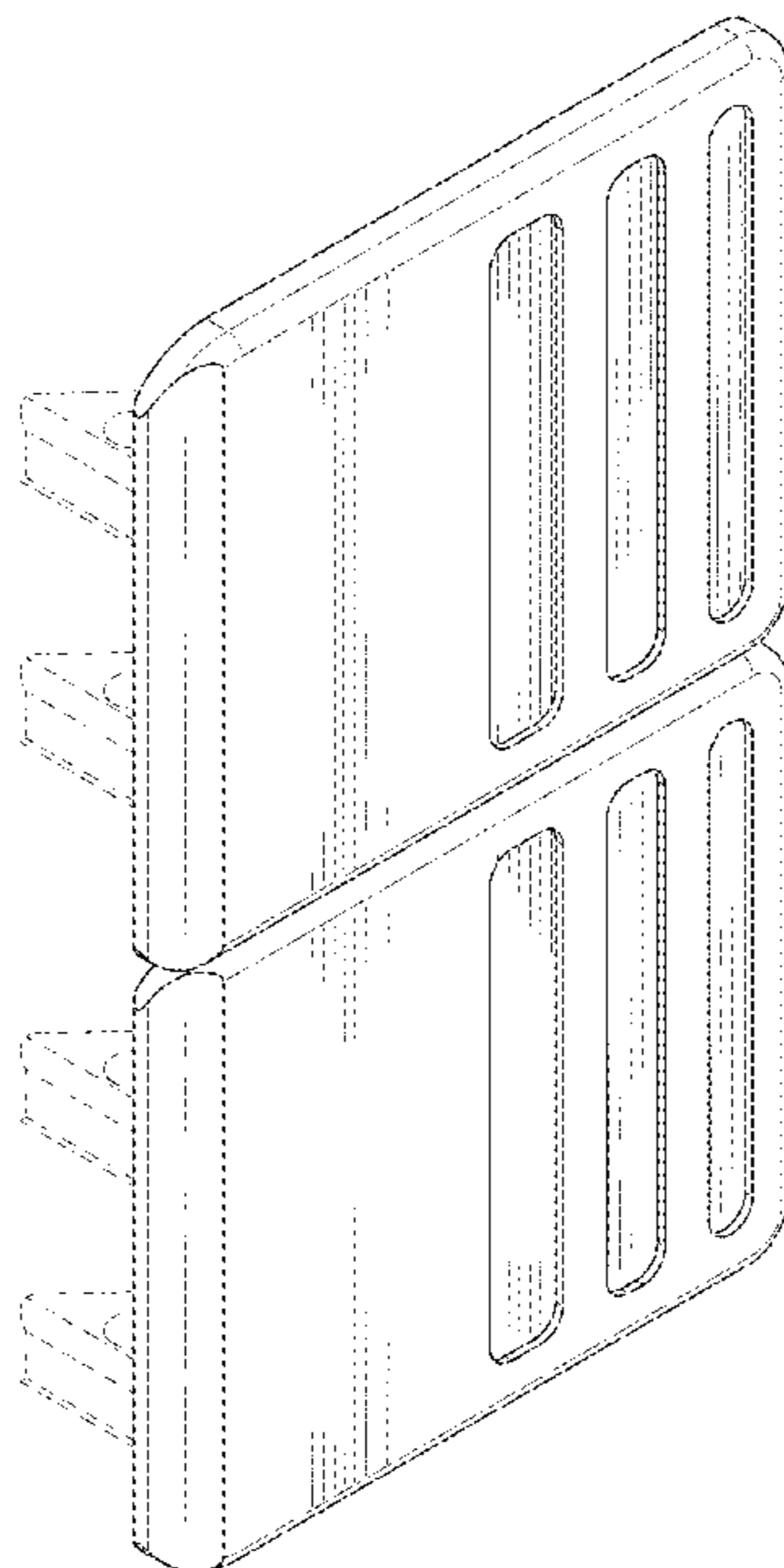
(57) **CLAIM**

The ornamental design for a closure, as shown and described.

DESCRIPTION

FIG. 1 is a front perspective view of a closure showing my new design;
FIG. 2 is a front elevational view thereof;
FIG. 3 is a top plan view thereof;
FIG. 4 is a left side elevational view thereof; and,
FIG. 5 is a rear elevational view thereof.
The broken lines indicate unclaimed portions and form no part of the claimed design.

1 Claim, 4 Drawing Sheets



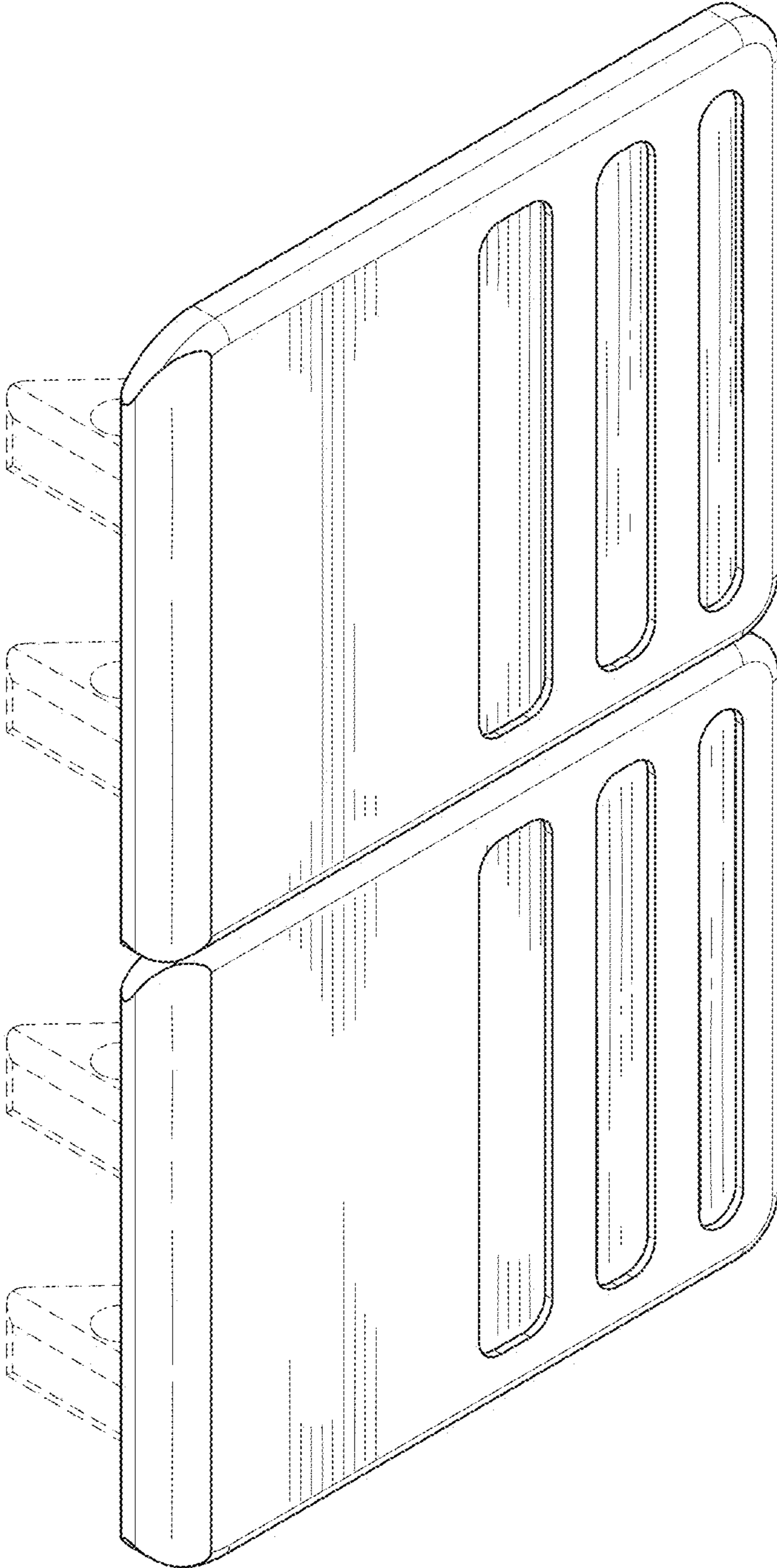


FIG. 1

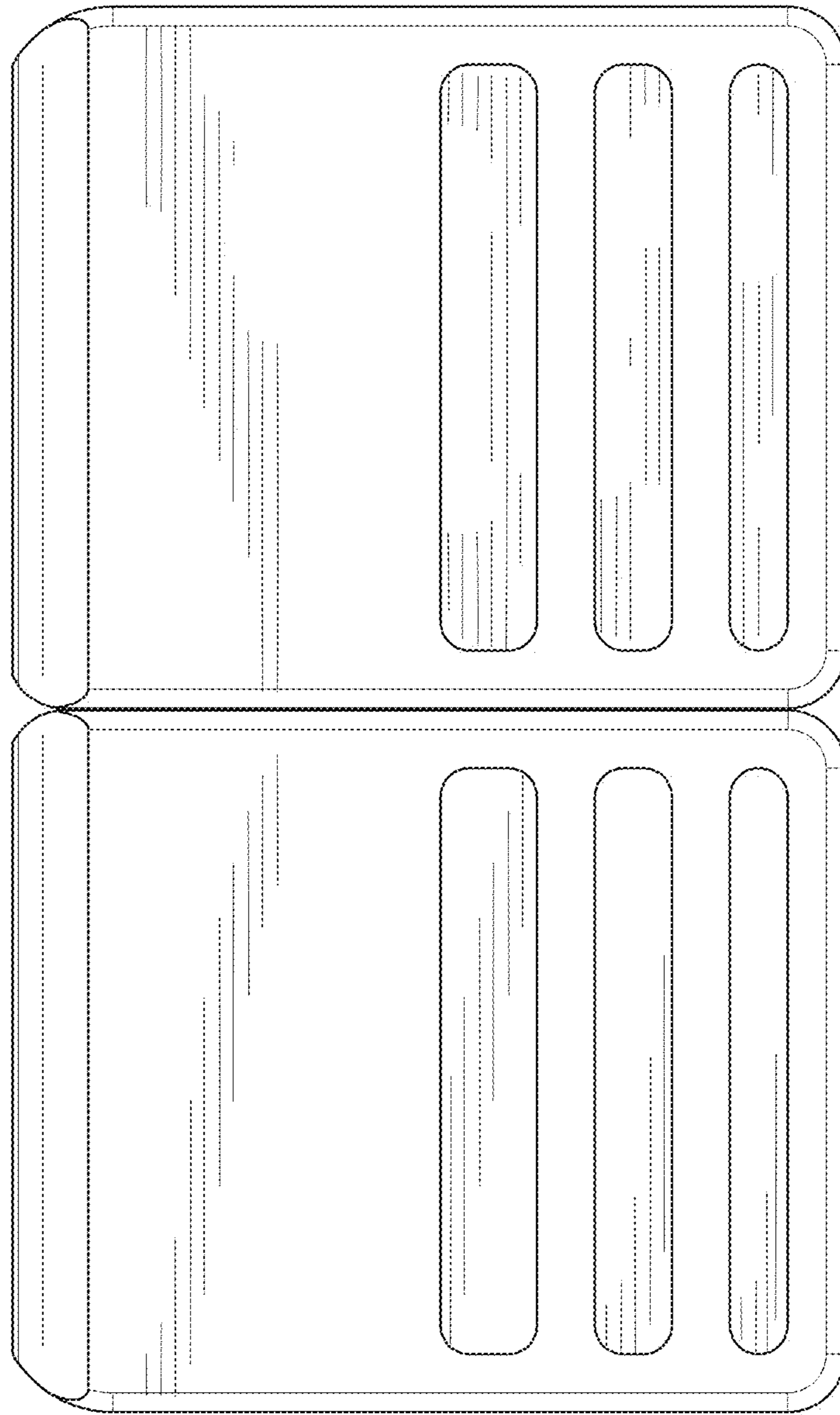


FIG. 2

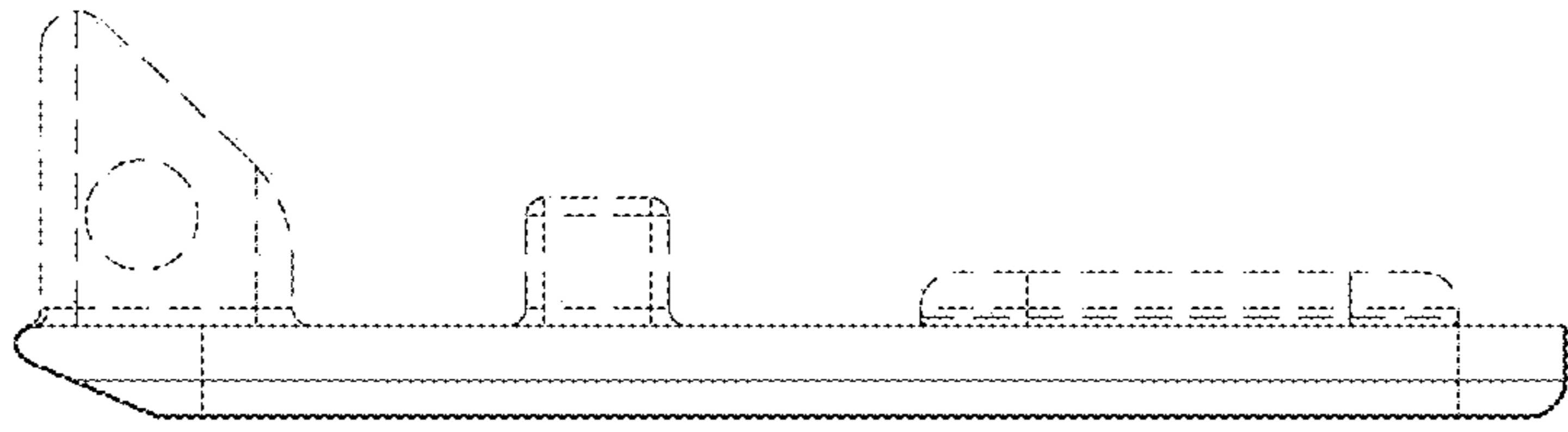


FIG. 3

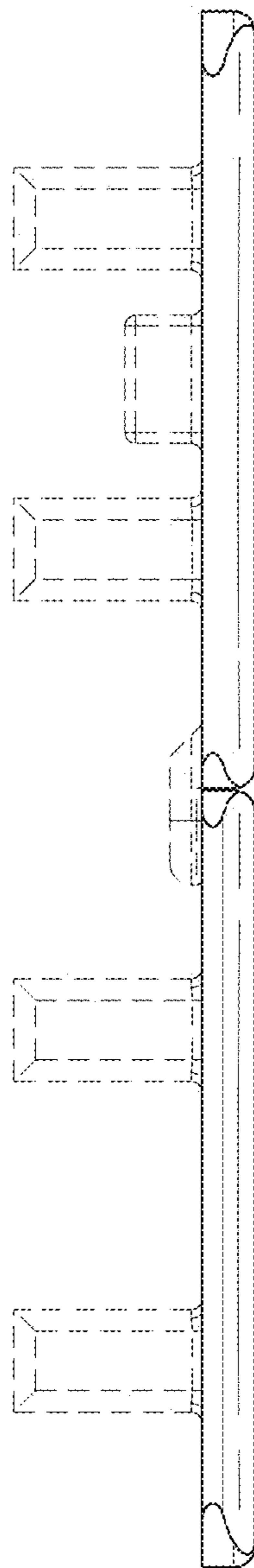


FIG. 4

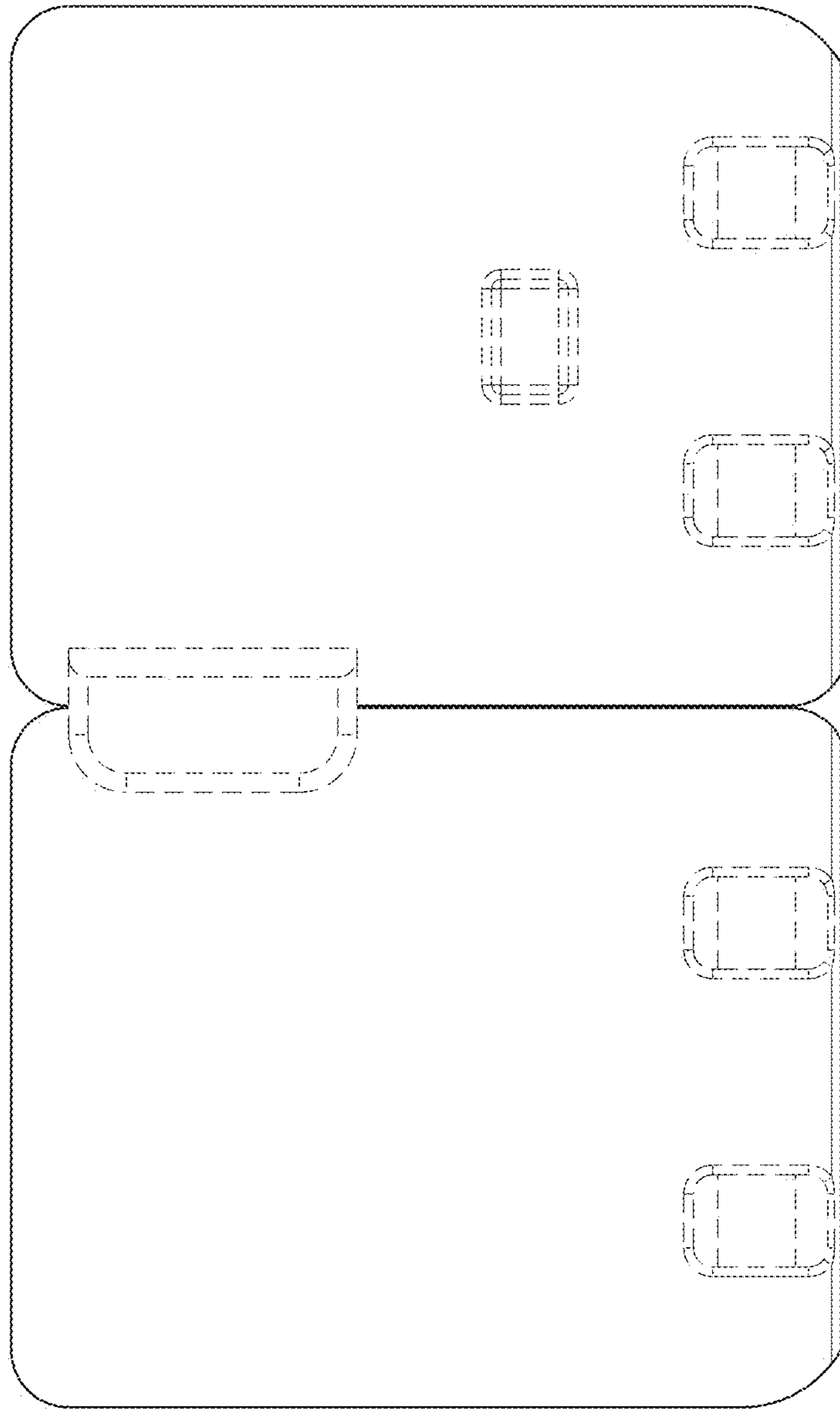


FIG. 5