

US00D766693S

(12) **United States Design Patent** (10) **Patent No.:** **US D766,693 S**  
**Caglar** (45) **Date of Patent:** **\*\* Sep. 20, 2016**

(54) **TOOL HANDLE**

(71) Applicant: **Stanley Black & Decker, Inc.**, New Britain, CT (US)

(72) Inventor: **Tolga Caglar**, Middletown, CT (US)

(73) Assignee: **Stanley Black & Decker, Inc.**, New Britain, CT (US)

D619,078 S *	7/2010	Frankham	.....	D12/404
D623,498 S *	9/2010	Wong	.....	D8/107
D631,322 S *	1/2011	Wong	.....	D8/107
D649,420 S *	11/2011	Cunningham	.....	D8/5
D665,243 S *	8/2012	Yang	.....	D8/107
D696,568 S *	12/2013	Huang	.....	D8/107
D699,526 S *	2/2014	Wang	.....	D8/5
D718,602 S *	12/2014	Musser	.....	D8/107
D718,808 S *	12/2014	Okamura	.....	D17/1
9,027,253 B2 *	5/2015	Huang	.....	B26B 13/26 30/252

(\*\*) Term: **15 Years**

\* cited by examiner

(21) Appl. No.: **29/527,293**

*Primary Examiner* — Phillip S Hyder

(22) Filed: **May 18, 2015**

(74) *Attorney, Agent, or Firm* — Gabriel A. Haboubi

(51) **LOC (10) Cl.** ..... **08-05**

(57) **CLAIM**

(52) **U.S. Cl.**

The ornamental design for a tool handle, as shown and described.

USPC ..... **D8/107**

**DESCRIPTION**

(58) **Field of Classification Search**

USPC ..... D8/14, 51, 52, 57, 98, 107, 5  
CPC ..... B26B 13/12; B26B 13/26; B26B 13/28  
See application file for complete search history.

FIG. 1 is a perspective view of our new design.  
FIG. 2 is a top view thereof.  
FIG. 3 is a bottom view thereof.  
FIG. 4 is a left side view thereof.  
FIG. 5 is a right side view thereof.  
FIG. 6 is a front view thereof; and,  
FIG. 7 is a rear view thereof.

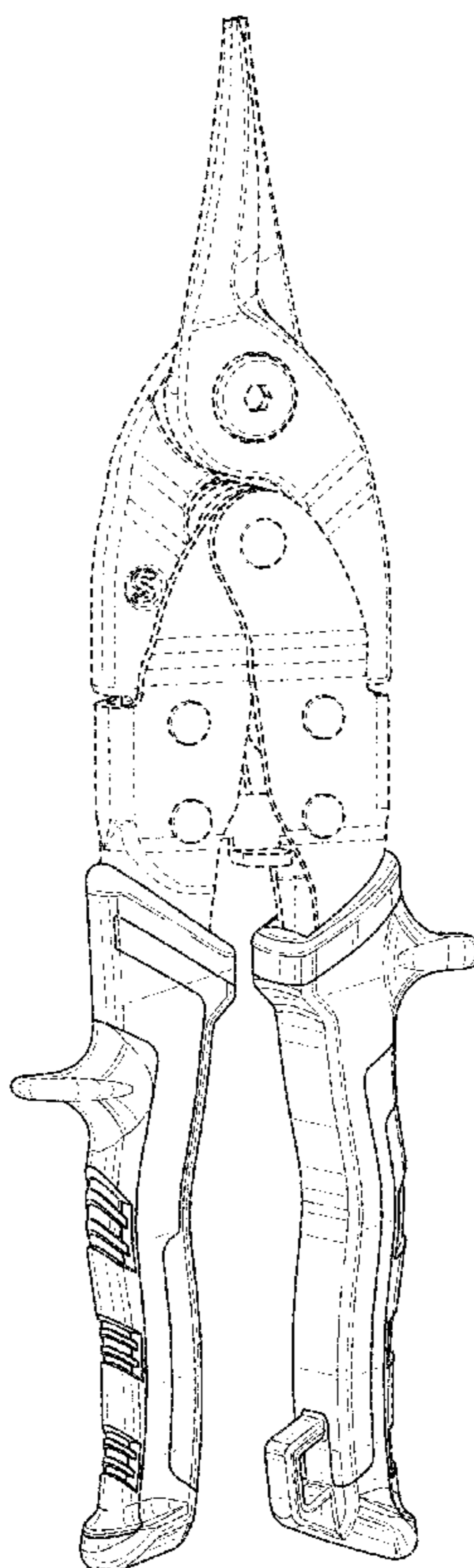
(56) **References Cited**

**U.S. PATENT DOCUMENTS**

6,574,870 B1 *	6/2003	Huang	.....	B23D 29/02 30/252
D503,081 S *	3/2005	Lucas	.....	D8/107
D579,745 S *	11/2008	Huang	.....	D8/107

The broken line showing of the snips are provided for purposes of environment and form no part of the claimed design.

**1 Claim, 6 Drawing Sheets**



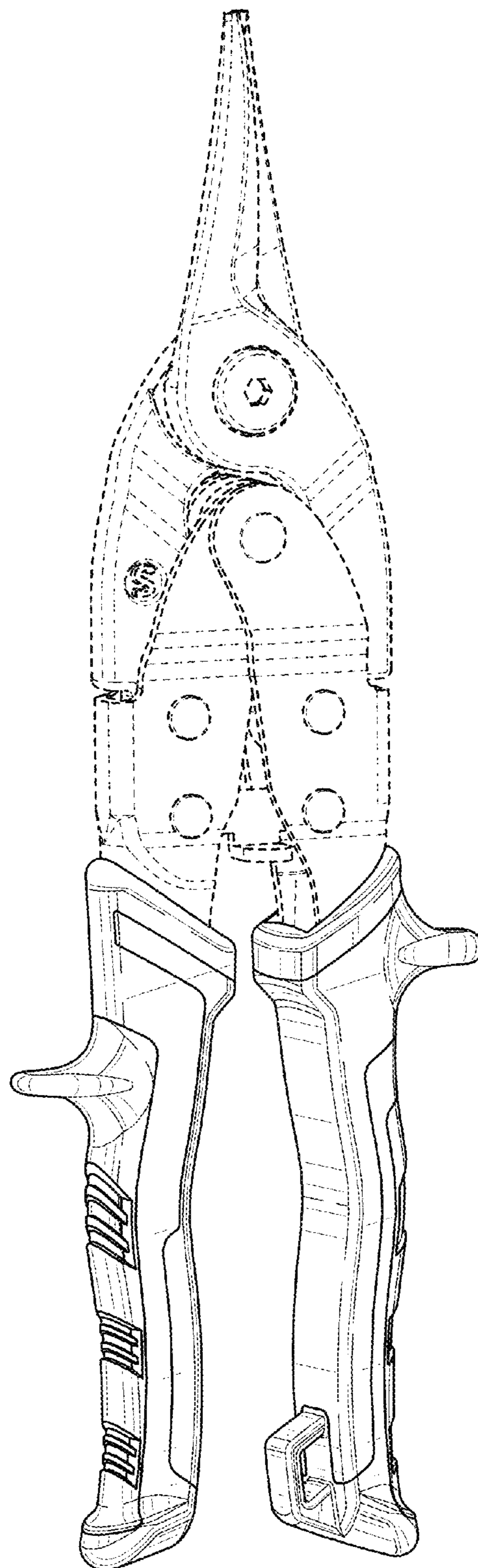


FIG. 1

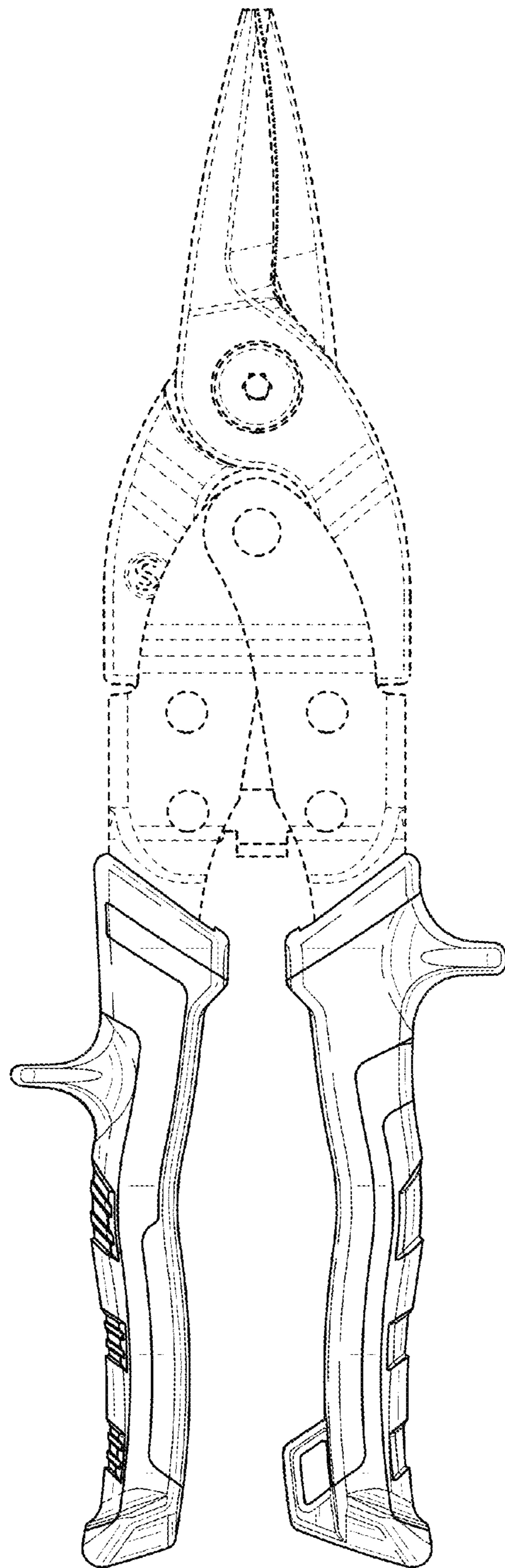


FIG. 2

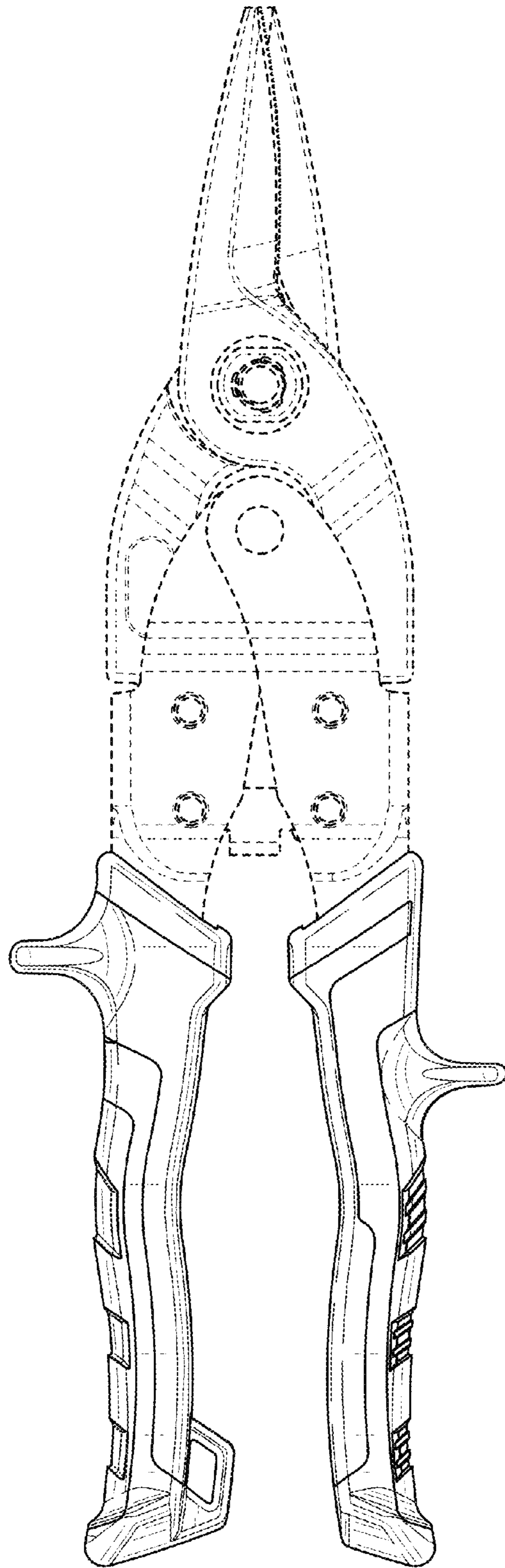


FIG. 3

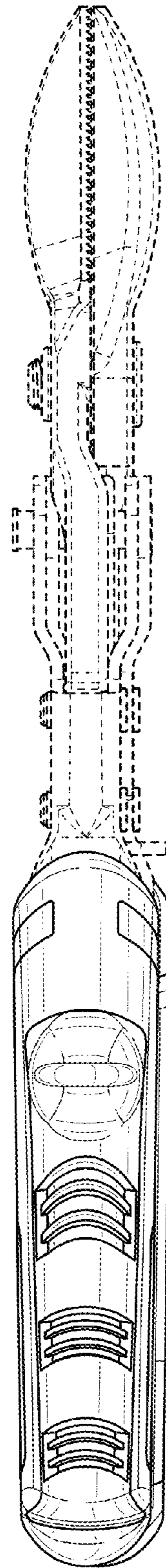


FIG. 4

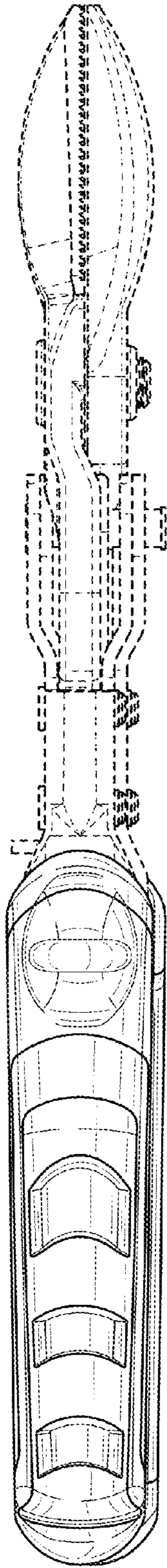


FIG. 5

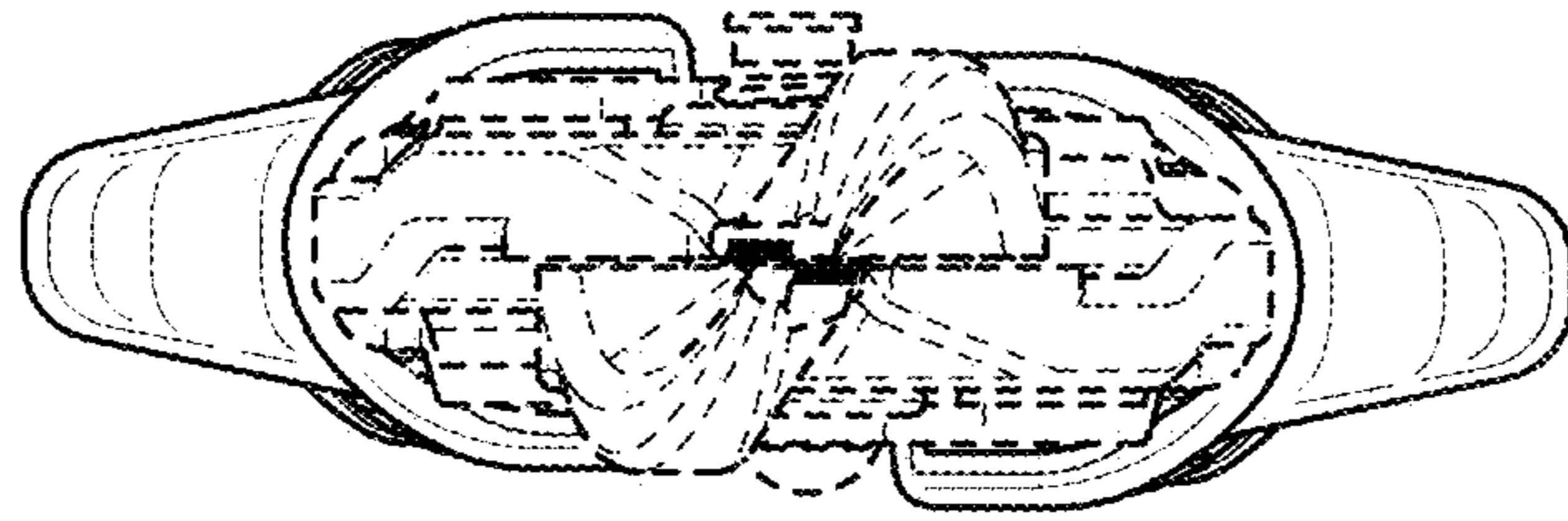


FIG. 6

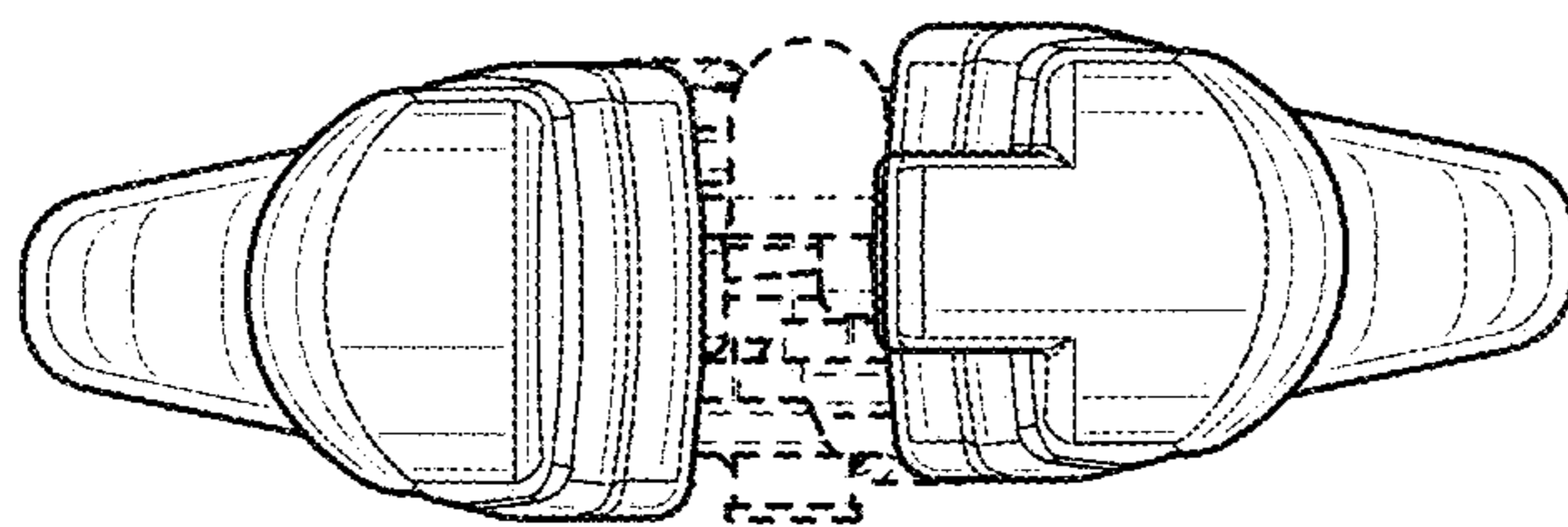


FIG. 7