



US00D766692S

(12) **United States Design Patent**
Moreau et al.

(10) **Patent No.:** **US D766,692 S**

(45) **Date of Patent:** **** Sep. 20, 2016**

- (54) **HAND TOOL SUBASSEMBLY**
- (71) Applicant: **Ty-Flot, Inc.**, Manchester, NH (US)
- (72) Inventors: **Darrell A. Moreau**, Manchester, NH (US); **Andre W. Moreau**, Bedford, NH (US)
- (73) Assignee: **Ty-Flot, Inc.**, Manchester, NH (US)
- (**) Term: **15 Years**
- (21) Appl. No.: **29/532,228**
- (22) Filed: **Jul. 2, 2015**
- (51) **LOC (10) Cl.** **08-04**
- (52) **U.S. Cl.**
USPC **D8/86**
- (58) **Field of Classification Search**
USPC D8/14, 82, 83, 84, 85, 86, 87, 88, 89,
D8/107, 367
CPC B25B 15/00; B25B 15/001; B25B 15/02;
B25B 23/16; F16B 35/06
See application file for complete search history.

- 8,602,705 B2 * 12/2013 Chen F16B 35/06
411/371.2
- 8,622,676 B2 * 1/2014 Chen F16B 35/06
411/371.2
- 2005/0274232 A1 * 12/2005 Wu B25B 15/02
81/177.1

* cited by examiner

Primary Examiner — Phillip S Hyder

(74) *Attorney, Agent, or Firm* — Mesmer & Deleault PLLC

(57) **CLAIM**

We claim the ornamental design for a hand tool subassembly, as shown and described.

DESCRIPTION

FIG. 1 is a first end, top, and side perspective view of a handle tool assembly showing our new design, wherein the D-ring is pivoted to an end position;
 FIG. 2 is a side elevational view thereof;
 FIG. 3 is a top plan view thereof;
 FIG. 4 is a second-end, top, and side perspective view thereof;
 FIG. 5 is a first-end elevational view thereof showing the D-ring pivoted to a top position;
 FIG. 6 is a second-end elevational view thereof with the D-ring pivoted to the top position;
 FIG. 7 is a first-end, top, and side perspective view showing the hand tool subassembly as part of a hand tool and with the D-ring pivoted to the end position; and,
 FIG. 8 is second-end, top, and side perspective view showing the hand tool subassembly as part of the hand tool of FIG. 7.

The broken line showing of the handle in FIGS. 7 and 8 is provided for purposes of environment and forms no part of the claimed design. The tip of the blade is depicted in broken line form because it forms no part of the claimed design.

1 Claim, 2 Drawing Sheets

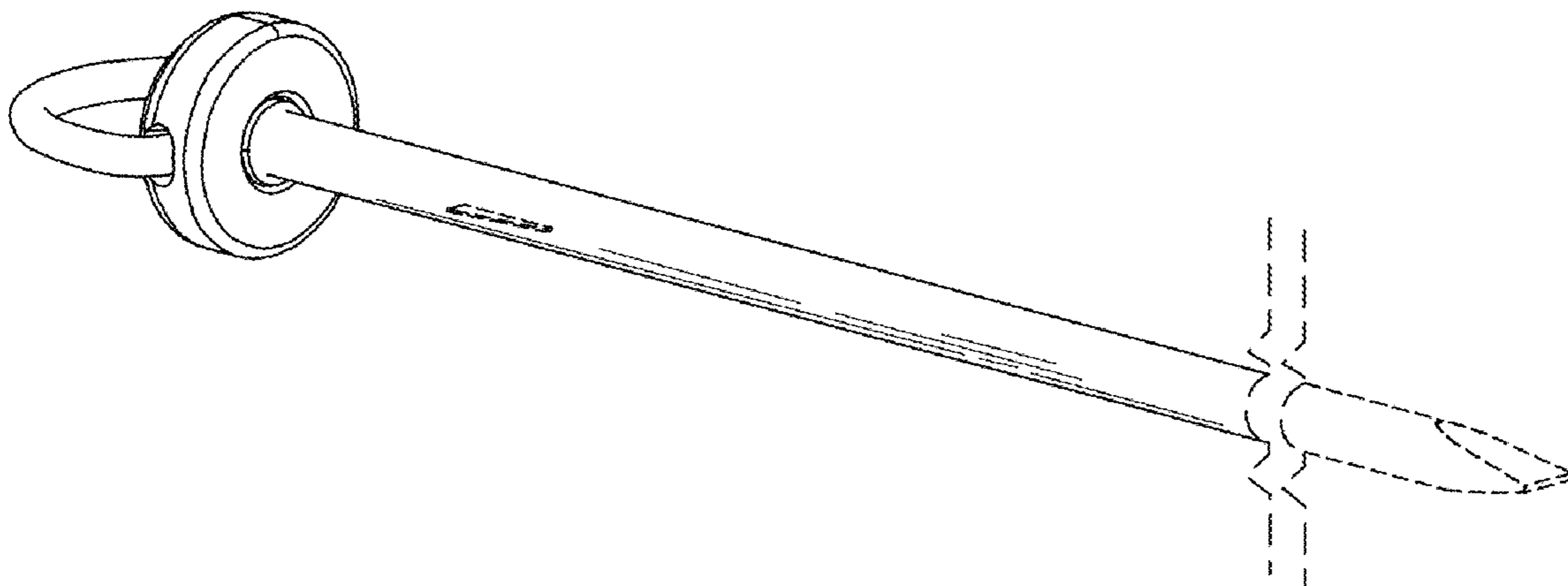


Fig. 1

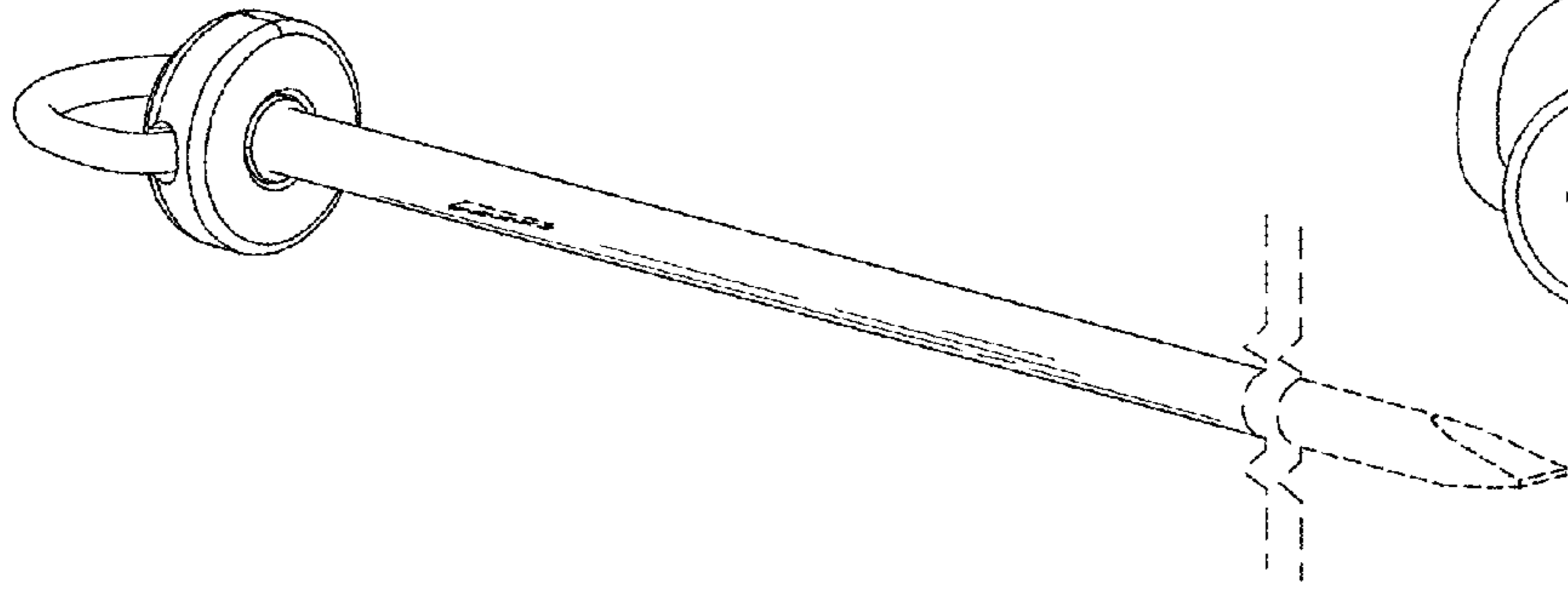


Fig. 5

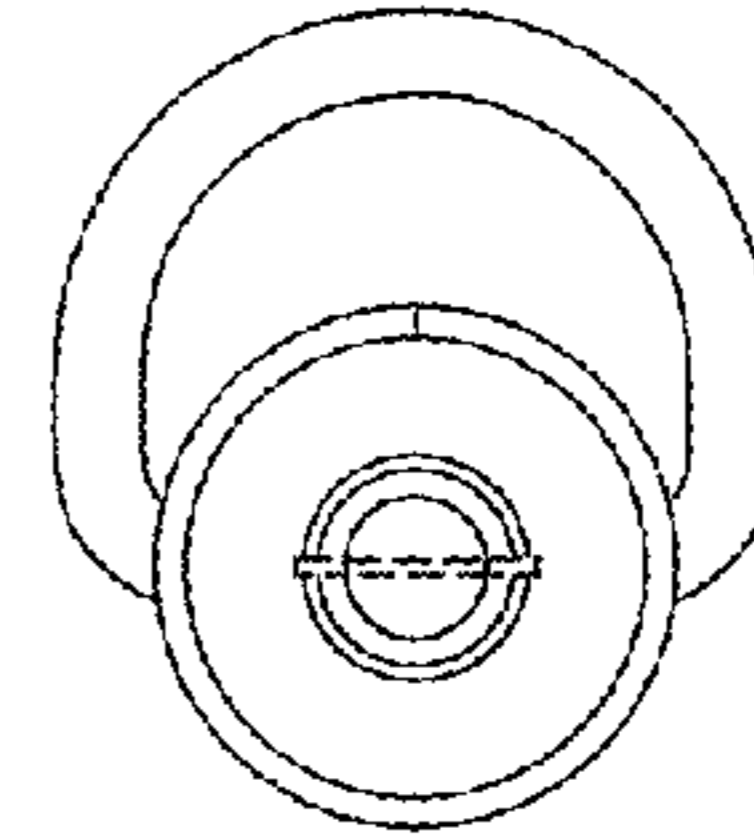


Fig. 2

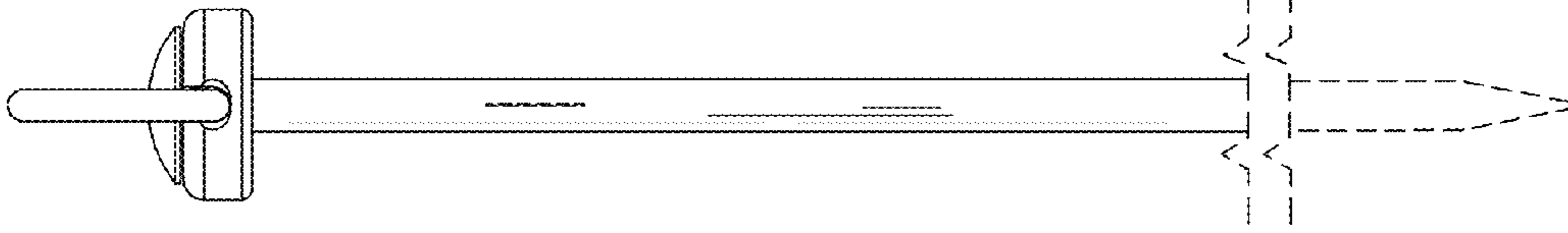


Fig. 3

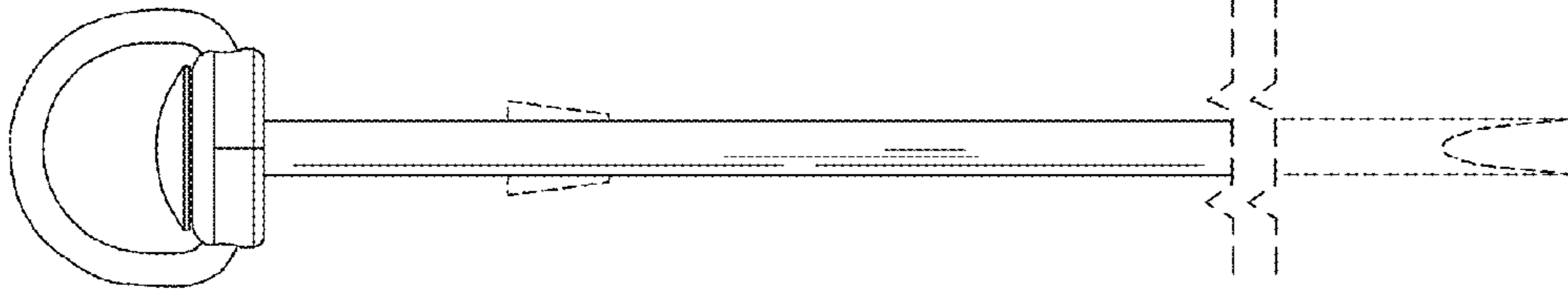


Fig. 4

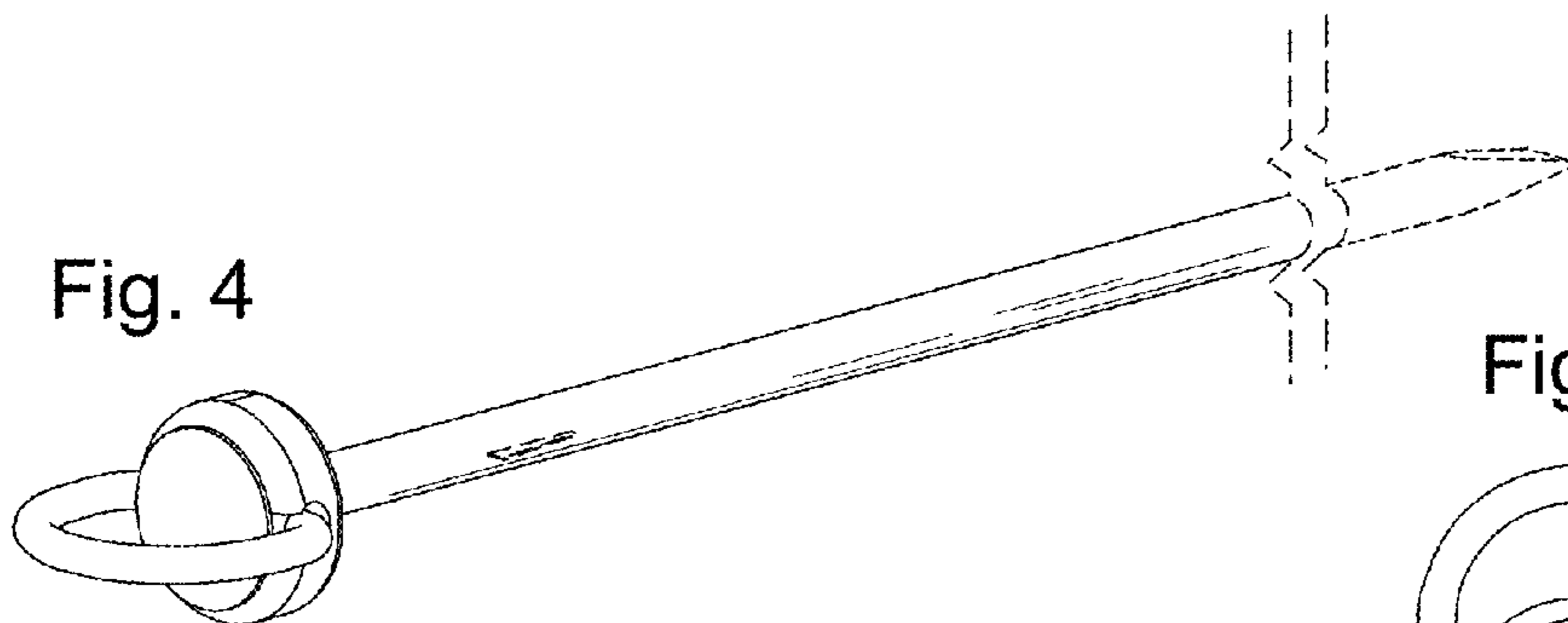


Fig. 6

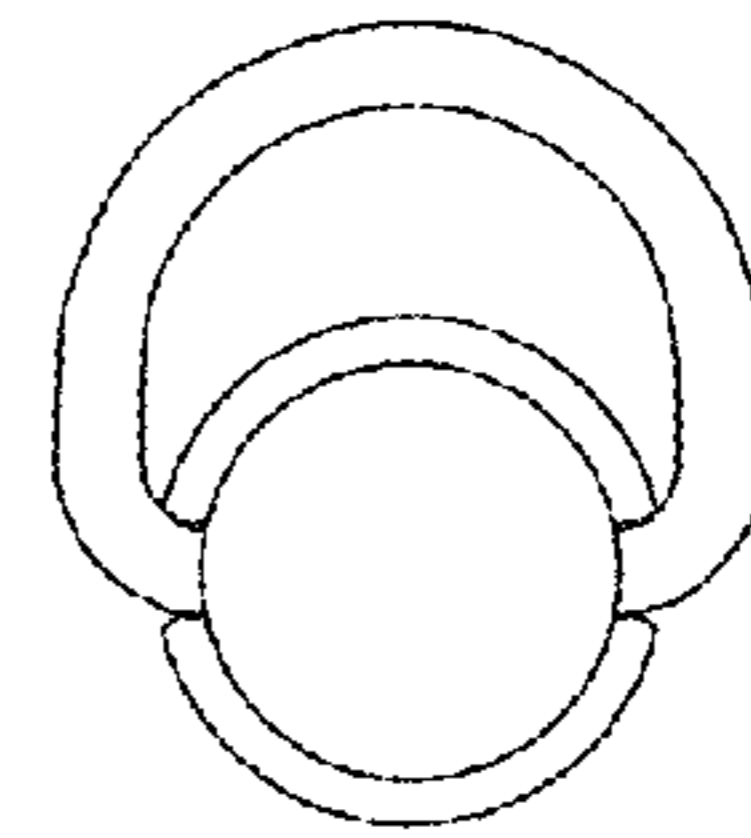


Fig. 7

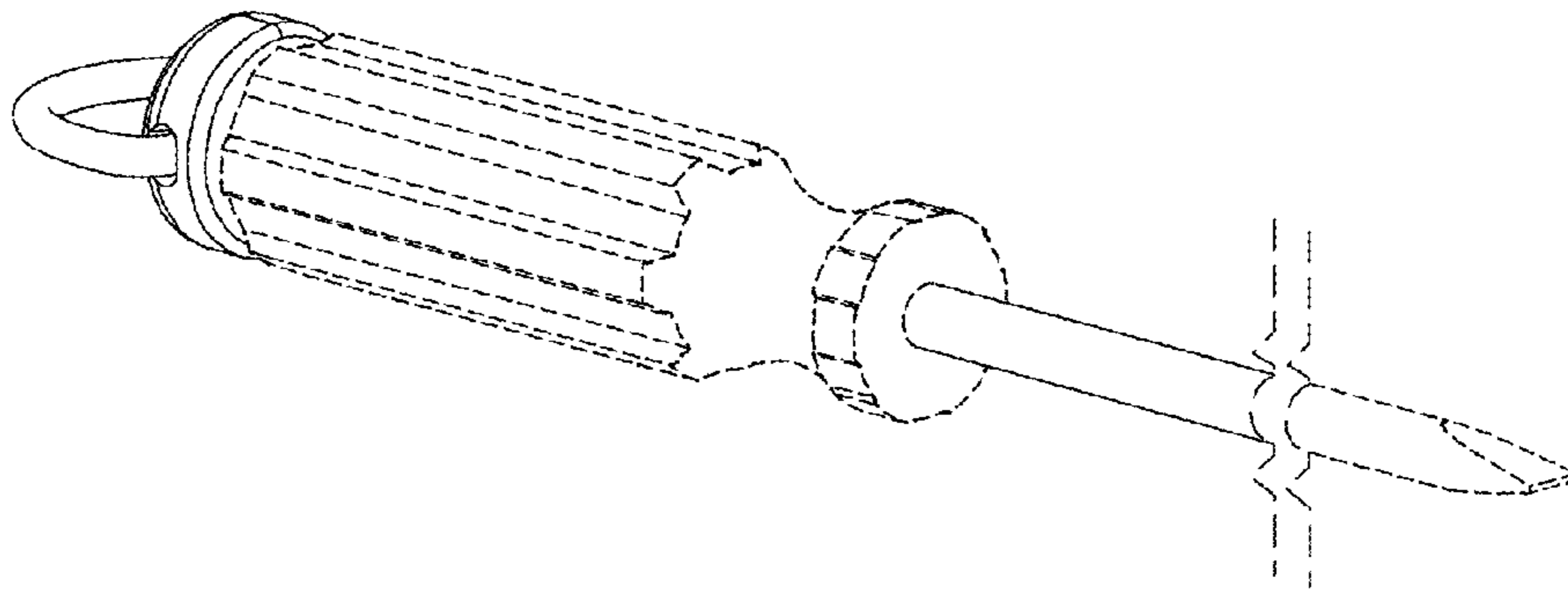


Fig. 8

