



US00D766690S

(12) **United States Design Patent**
Cobb et al.

(10) **Patent No.:** **US D766,690 S**

(45) **Date of Patent:** **** Sep. 20, 2016**

(54) **TUBING CUTTER**

(71) Applicant: **BRASSCRAFT MANUFACTURING COMPANY**, Novi, MI (US)

(72) Inventors: **Ian Cobb**, Wixom, MI (US); **David Thimm**, Plymouth, MI (US); **Curtis James Bailey**, Birmingham, MI (US)

(73) Assignee: **BrassCraft Manufacturing Company**, Novi, MI (US)

(**) Term: **14 Years**

(21) Appl. No.: **29/525,405**

(22) Filed: **Apr. 29, 2015**

(51) **LOC (10) Cl.** **08-03**

(52) **U.S. Cl.**
USPC **D8/60**

(58) **Field of Classification Search**
USPC D8/4, 5, 51-60, 105, 107
CPC B23D 21/08; B23D 21/04; B23D 21/00;
B26D 3/169

See application file for complete search history.

(56) **References Cited**

U.S. PATENT DOCUMENTS

D161,438 S * 1/1951 Franck D8/60
D191,011 S * 8/1961 Noveske D8/60

D367,213 S * 2/1996 Azkona D8/60
D693,662 S * 11/2013 Groten D8/60
D696,915 S * 1/2014 Lee D8/60
D705,623 S * 5/2014 Groten D8/60
D705,624 S * 5/2014 Groten D8/60

* cited by examiner

Primary Examiner — Deanna L Pratt

(74) *Attorney, Agent, or Firm* — Kirk W. Rudolph

(57) **CLAIM**

The ornamental design for a tubing cutter, as shown and described.

DESCRIPTION

FIG. 1 is a perspective view of a tubing cutter showing our design;

FIG. 2 is a perspective view thereof;

FIG. 3 is a bottom view thereof;

FIG. 4 is a top view thereof;

FIG. 5 is a right side view thereof;

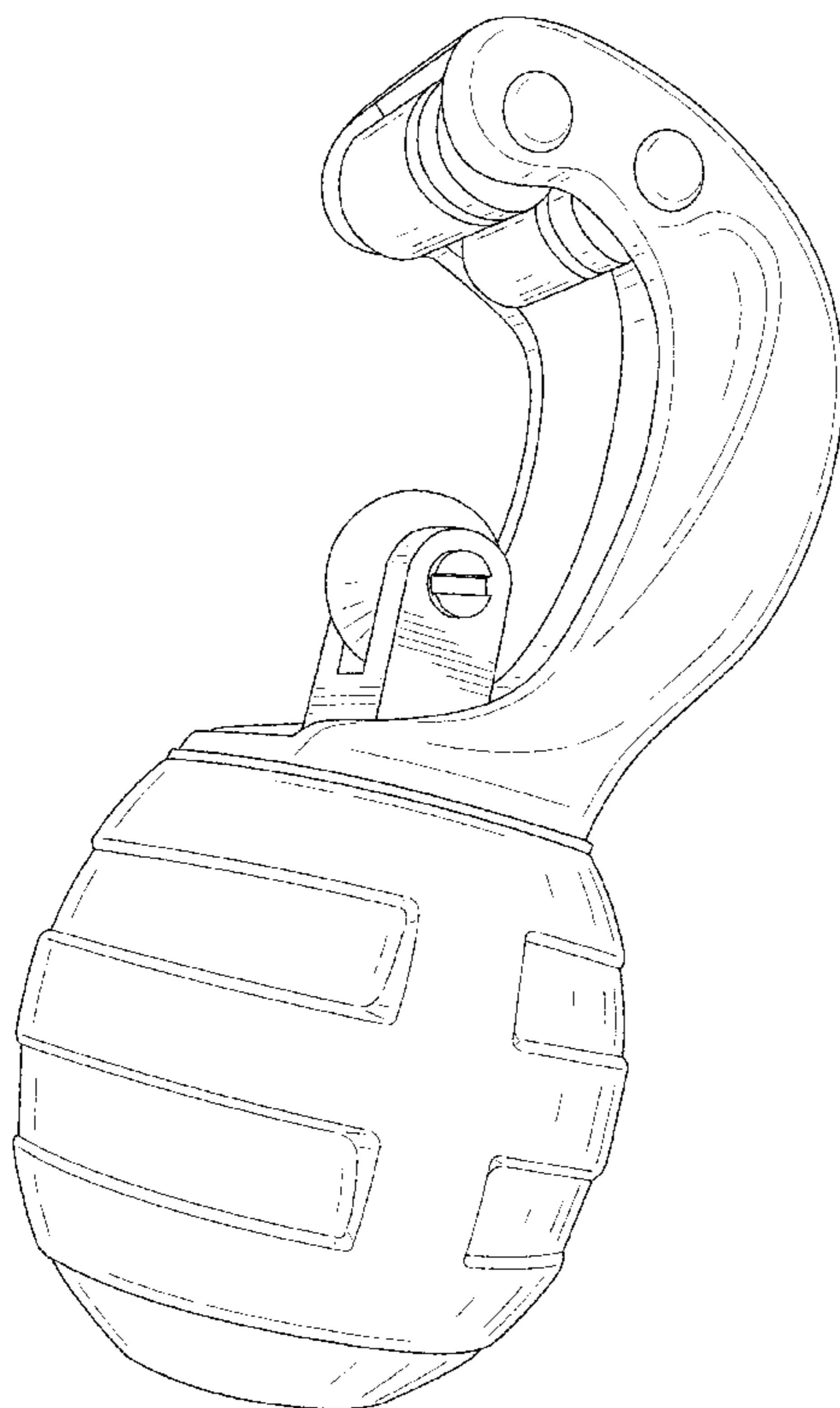
FIG. 6 is a left side view thereof;

FIG. 7 is a front view thereof; and,

FIG. 8 is a rear view thereof.

The broken lines in the drawings illustrate portions of the tubing cutter which form no part of the claimed design.

1 Claim, 7 Drawing Sheets



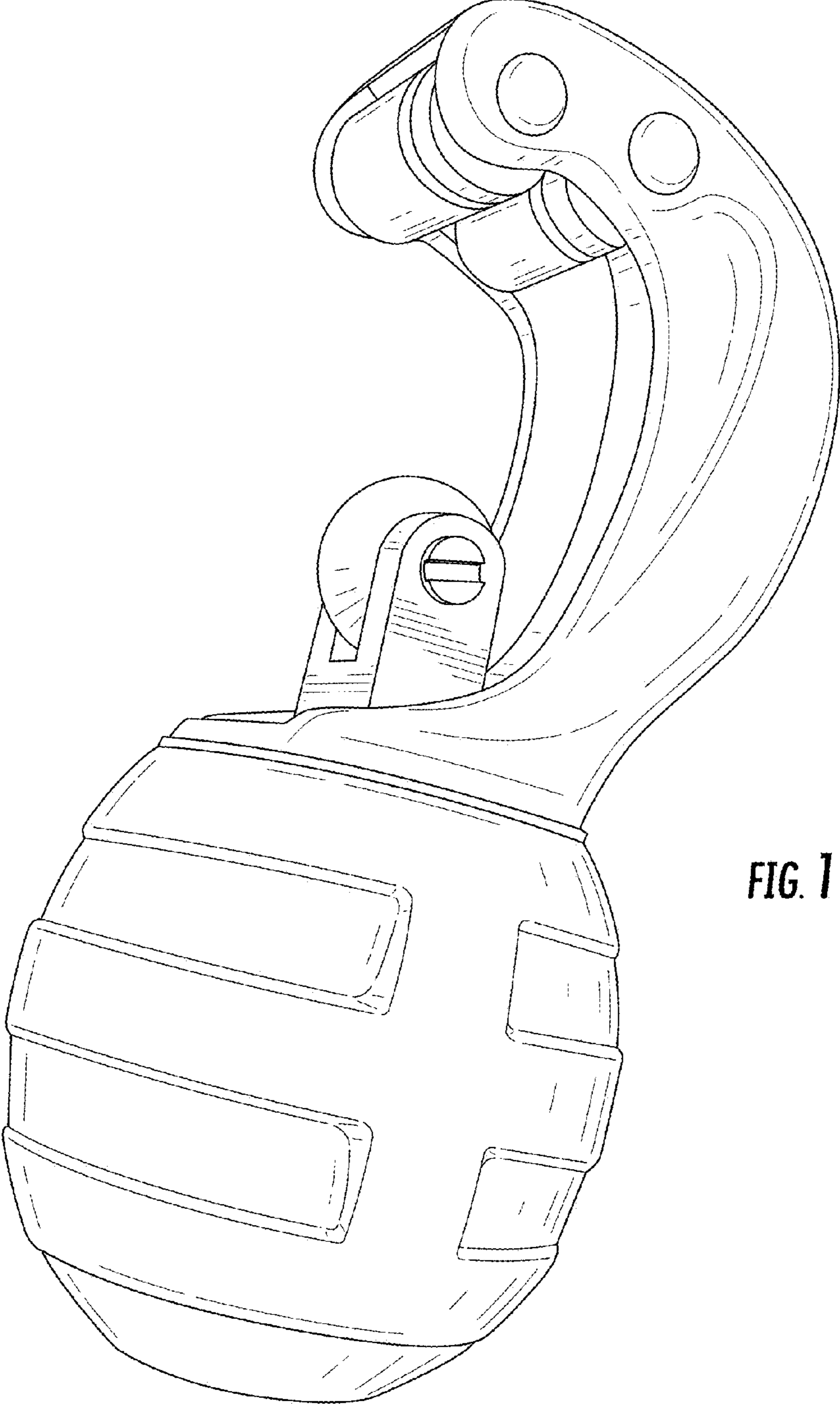


FIG. 1



FIG. 2

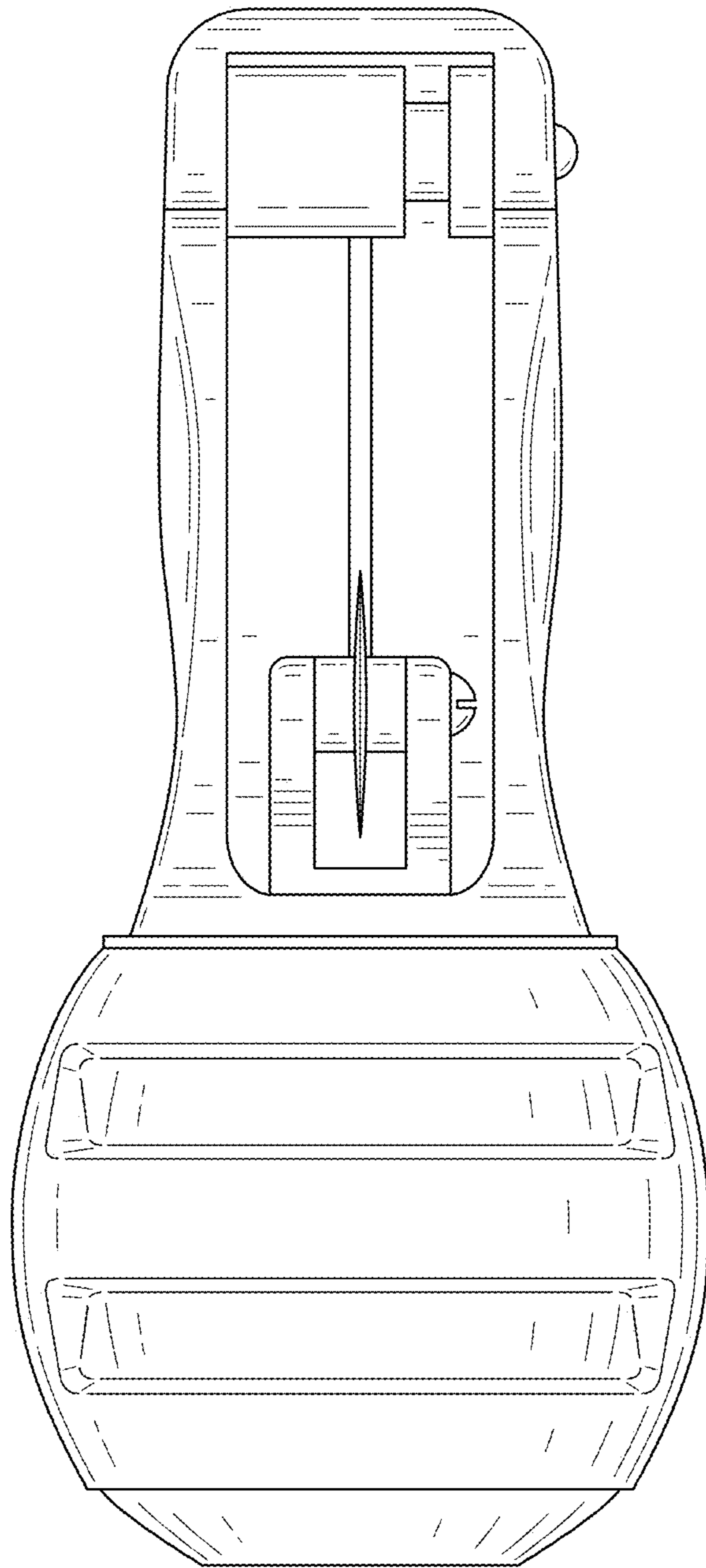


FIG. 3

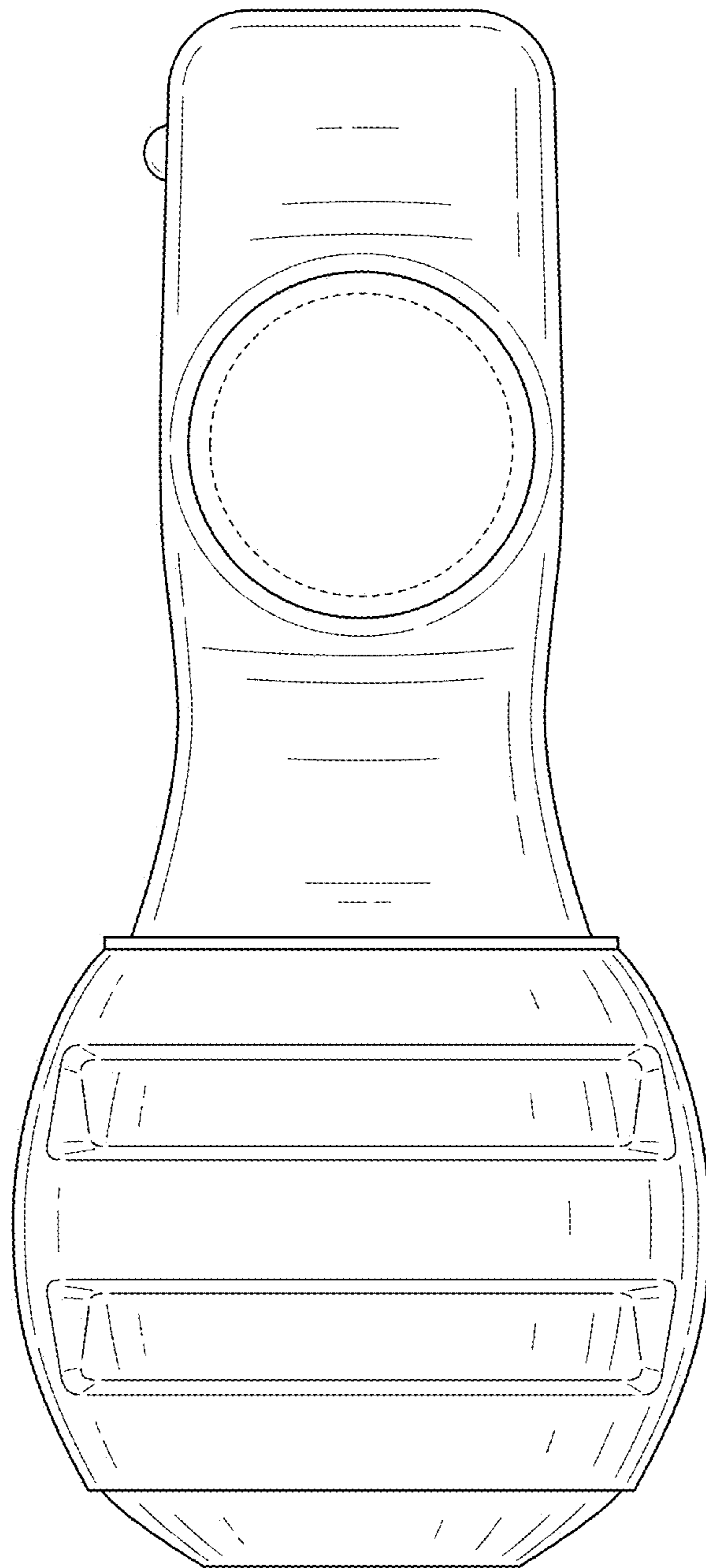


FIG. 4

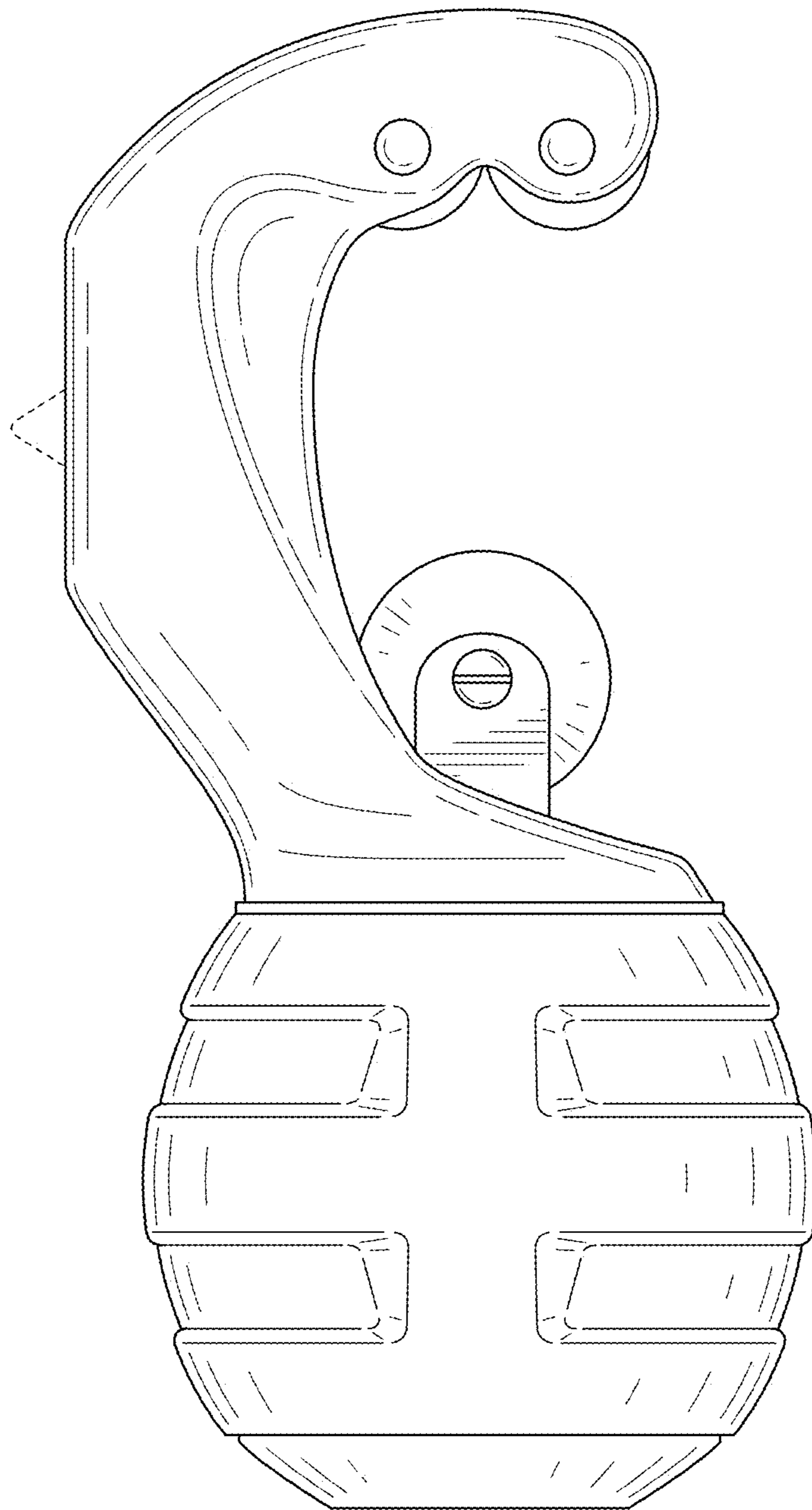


FIG. 5

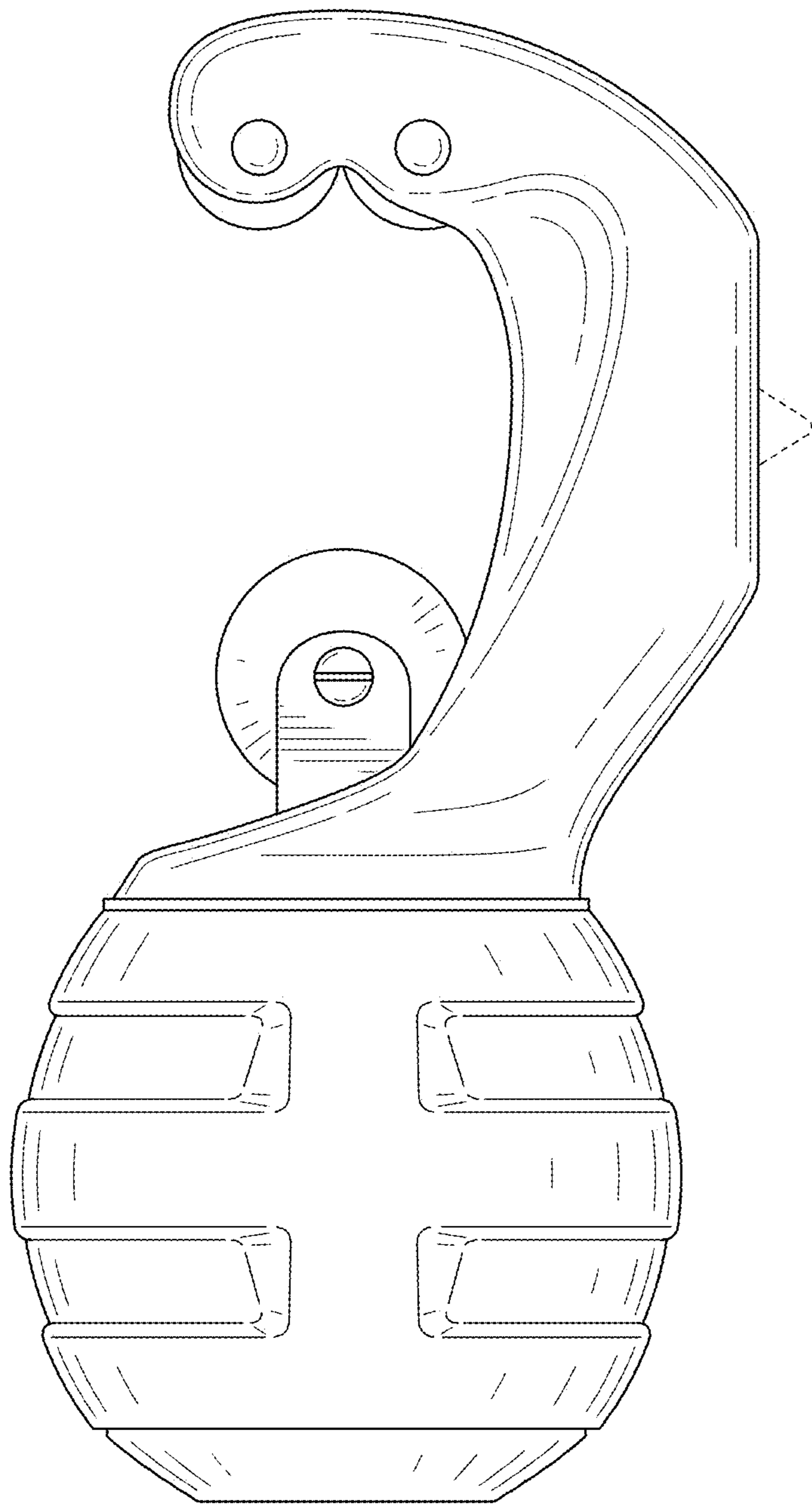


FIG. 6

FIG. 7

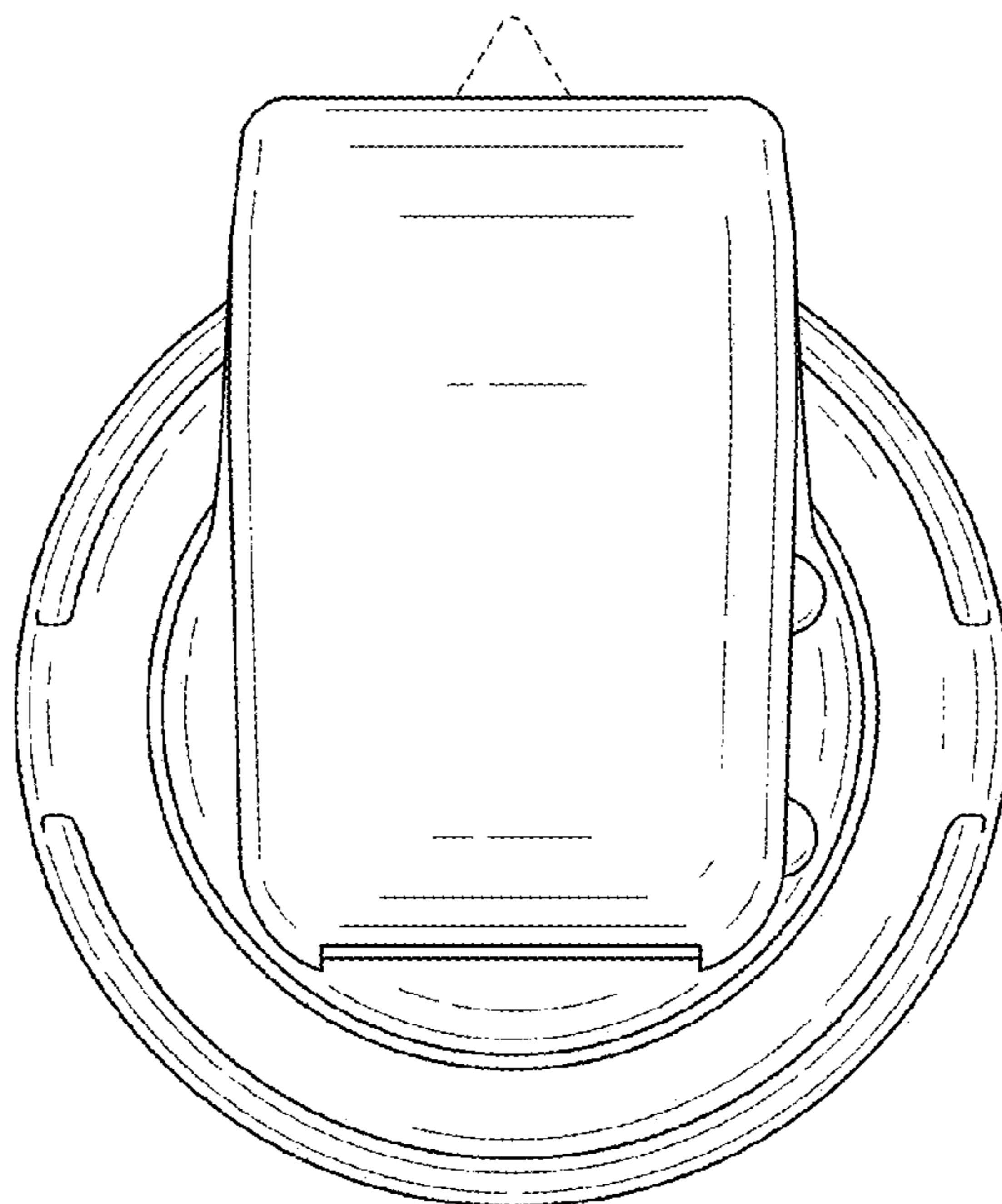


FIG. 8

