



US00D76685S

(12) **United States Design Patent**
Albertson

(10) **Patent No.:** **US D766,685 S**

(45) **Date of Patent:** **** Sep. 20, 2016**

(54) **CUTTING BLADE**

(71) Applicant: **Robert V. Albertson**, Alma, WI (US)

(72) Inventor: **Robert V. Albertson**, Alma, WI (US)

(**) Term: **15 Years**

(21) Appl. No.: **29/505,371**

(22) Filed: **Oct. 1, 2015**

D574,679 S 8/2008 Denby D8/8
D719,415 S 12/2014 Albertson D8/8
D743,220 S * 11/2015 Albertson D8/8

* cited by examiner

Primary Examiner — Sheryl Lane

(74) *Attorney, Agent, or Firm* — Richard John Bartz

(57) **CLAIM**

The ornamental design of the cutting blade, as shown and described.

DESCRIPTION

Related U.S. Application Data

(63) Continuation of application No. 29/474,495, filed on Oct. 9, 2014, now abandoned.

(51) **LOC (10) Cl.** **08-01**

(52) **U.S. Cl.**

USPC **D8/8**

(58) **Field of Classification Search**

USPC D8/7-9; D15/1, 17

CPC A01D 34/416; A01D 34/4166; A01D

34/4167; A01D 34/90; A01D 34/84

See application file for complete search history.

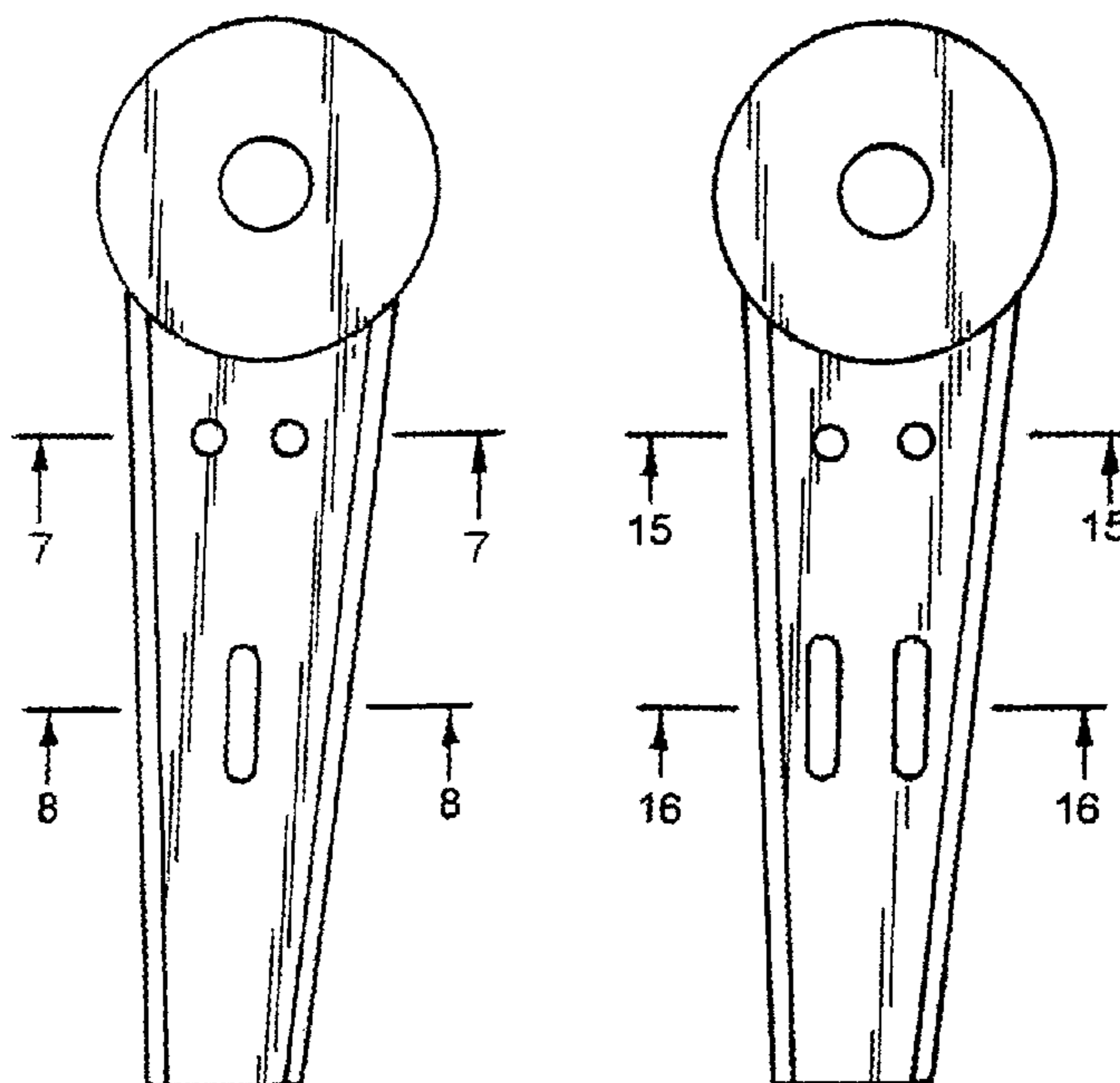
(56) **References Cited**

U.S. PATENT DOCUMENTS

3,474,608 A	10/1969	Friek	
D349,634 S	8/1994	Skinner et al.	D8/8
5,491,962 A	2/1996	Sutliff et al.	
D389,382 S	1/1998	Houle	D8/8
D417,597 S	12/1999	Sutliff et al.	D8/8
6,158,129 A	12/2000	Klein	30/276
D439,118 S	3/2001	Tomita	D8/8
D439,813 S	4/2001	Tomita	D8/8

FIG. 1 is a front elevational view of a first embodiment of the cutting blade of my new design;
FIG. 2 is a top plan view thereof;
FIG. 3 is a bottom plan view thereof;
FIG. 4 is a side elevational view of the right side thereof;
FIG. 5 is a side elevational view of the left side thereof;
FIG. 6 is a back elevational view thereof;
FIG. 7 is a sectional view taken along line 7-7 of FIG. 1;
FIG. 8 is a sectional view taken along line 8-8 of FIG. 1;
FIG. 9 is a front elevational view of a second embodiment of the cutting blade of my new design;
FIG. 10 is a top plan view of FIG. 9;
FIG. 11 is a bottom plan view of FIG. 9;
FIG. 12 is a side elevational view of the right side of FIG. 9;
FIG. 13 is a side elevational view of the left side of FIG. 9;
FIG. 14 is a back elevational view of FIG. 9;
FIG. 15 is a sectional view taken along line 15-15 of FIG. 9; and,
FIG. 16 is a sectional view taken along line 16-16 of FIG. 9.

1 Claim, 2 Drawing Sheets



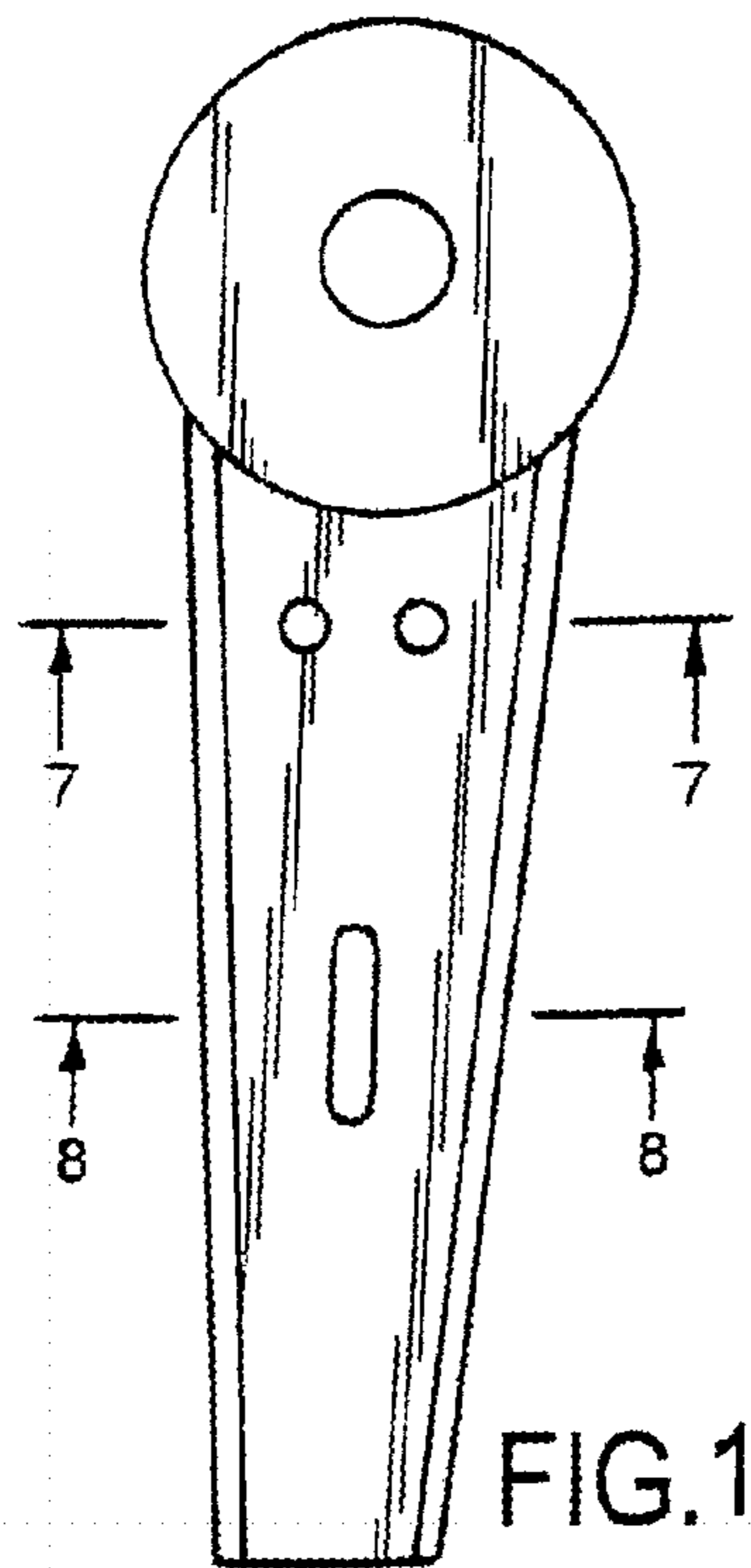


FIG. 2

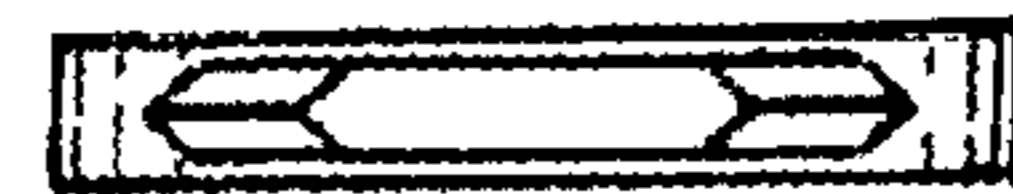


FIG. 3



FIG. 7



FIG. 8



FIG. 4



FIG. 5

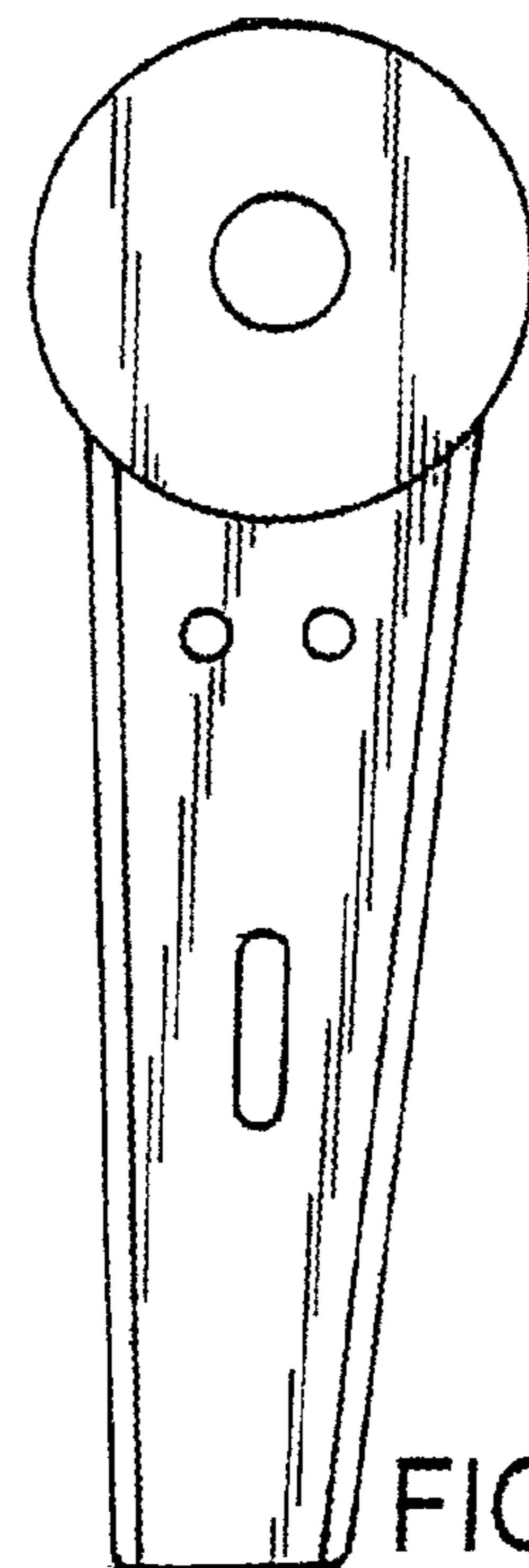


FIG. 6

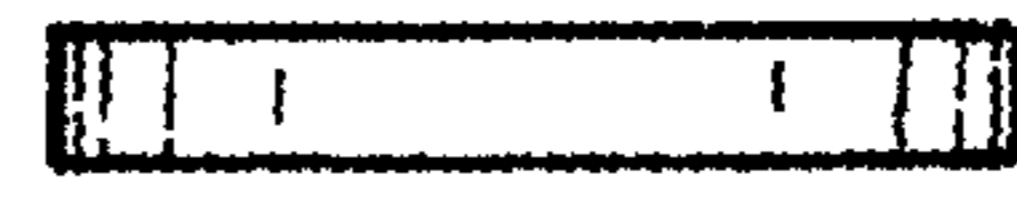
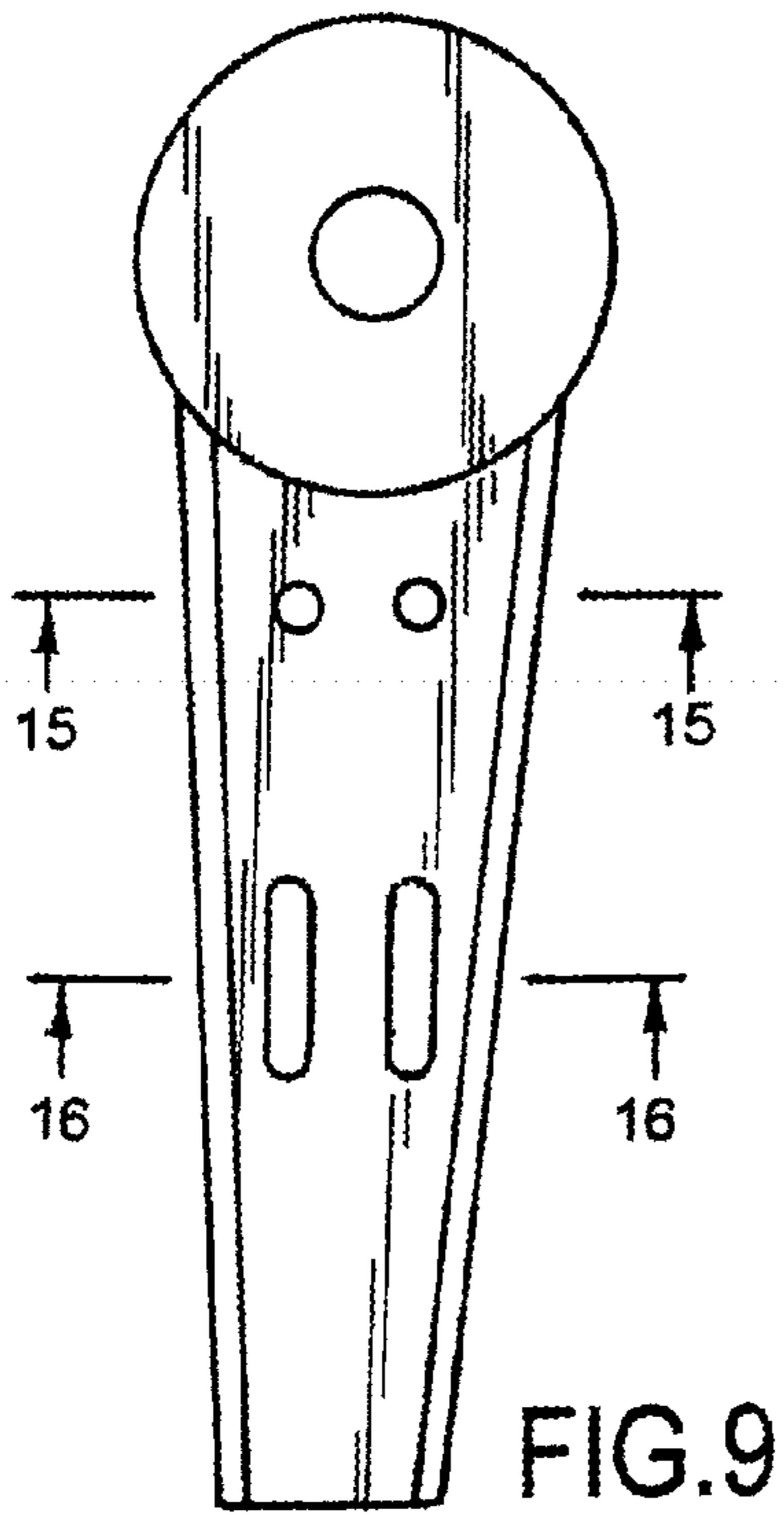


FIG. 10

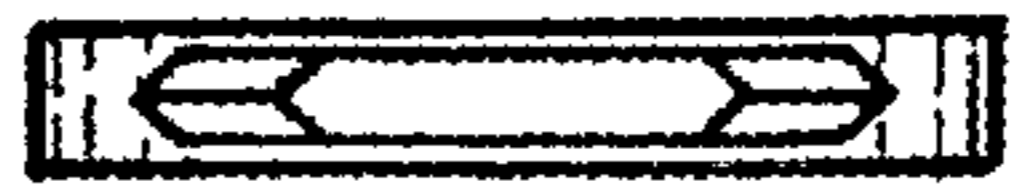


FIG. 11



FIG. 15



FIG. 16

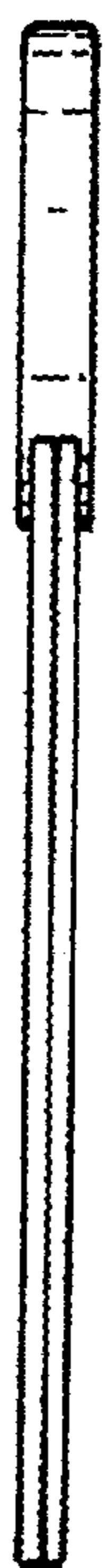


FIG. 12

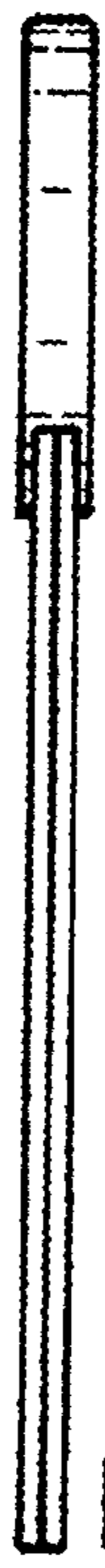


FIG. 13

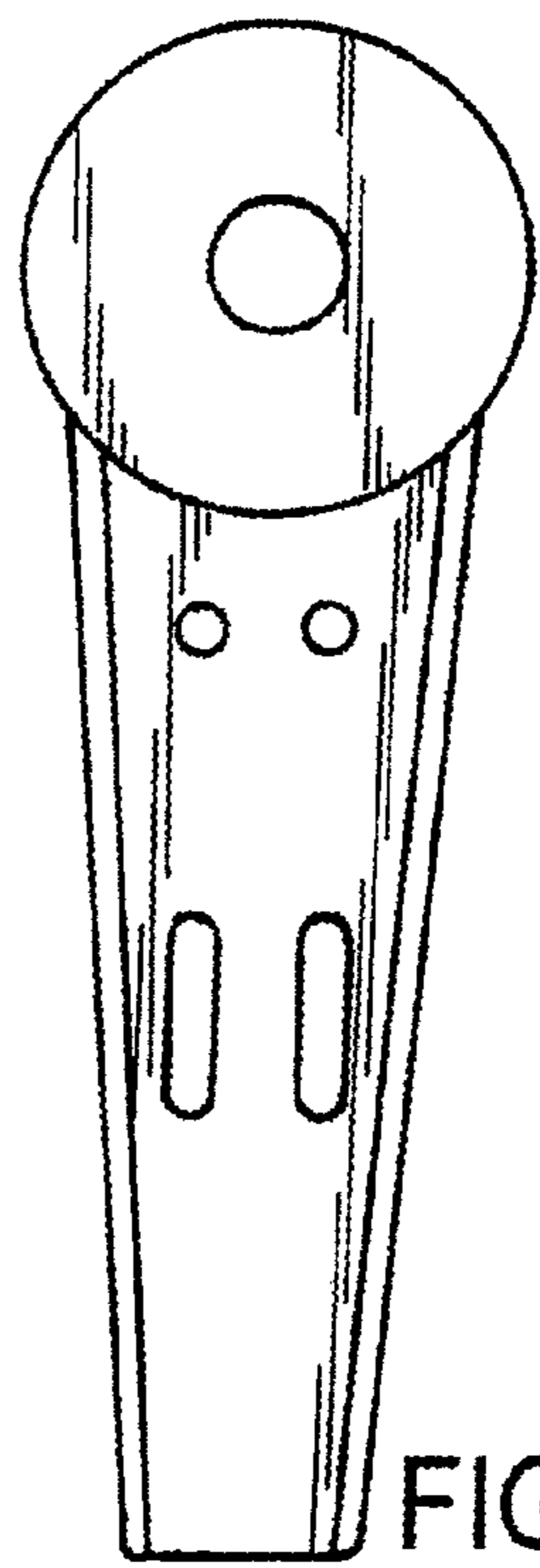


FIG. 14