



US00D766679S

(12) **United States Design Patent**
Ennis

(10) **Patent No.:** **US D766,679 S**
(45) **Date of Patent:** **** Sep. 20, 2016**

(54) **FOOD CUTTER**

(71) Applicant: **Lifetime Brands, Inc.**, Garden City,
NY (US)

(72) Inventor: **John Ennis**, Brooklyn, NY (US)

(73) Assignee: **LIFETIME BRANDS, INC.**, Garden
City, NY (US)

(**) Term: **14 Years**

(21) Appl. No.: **29/514,941**

(22) Filed: **Jan. 19, 2015**

(51) **LOC (10) Cl.** **07-04**

(52) **U.S. Cl.**
USPC **D7/693**

(58) **Field of Classification Search**
USPC D7/693, 672-677
CPC B26B 27/00; B26B 3/04; B26B 9/02
See application file for complete search history.

(56) **References Cited**

U.S. PATENT DOCUMENTS

3,940,842 A * 3/1976 Perrinelle B26B 27/00
30/278
4,972,587 A * 11/1990 Horntrich B26B 27/00
30/1.5

5,067,241 A * 11/1991 Goodman B26B 27/00
30/278
D394,372 S * 5/1998 Chang D7/693
6,018,876 A * 2/2000 Hodges B26B 3/04
30/278
D488,361 S * 4/2004 Bertulis D7/693

* cited by examiner

Primary Examiner — Terry Wallace

(74) *Attorney, Agent, or Firm* — Tutunjian & Bitetto, P.C.

(57) **CLAIM**

The ornamental design for a food cutter, as shown and described.

DESCRIPTION

FIG. 1 is a perspective view of the food cutter showing my new design;

FIG. 2 is a top view thereof;

FIG. 3 is a bottom view thereof;

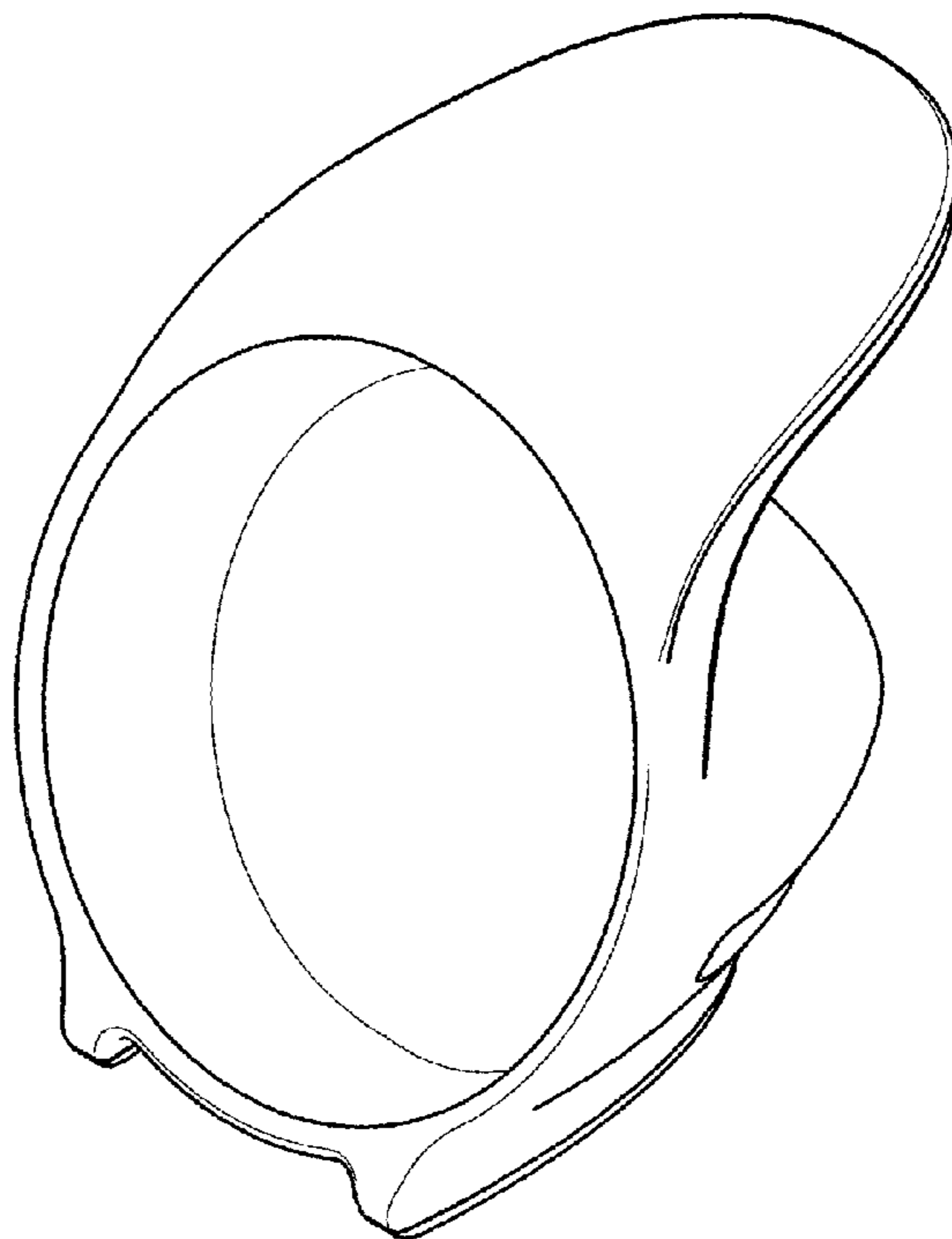
FIG. 4 is front view thereof;

FIG. 5 is a rear view thereof;

FIG. 6 is a right side view thereof; and,

FIG. 7 is a left side view thereof.

1 Claim, 7 Drawing Sheets



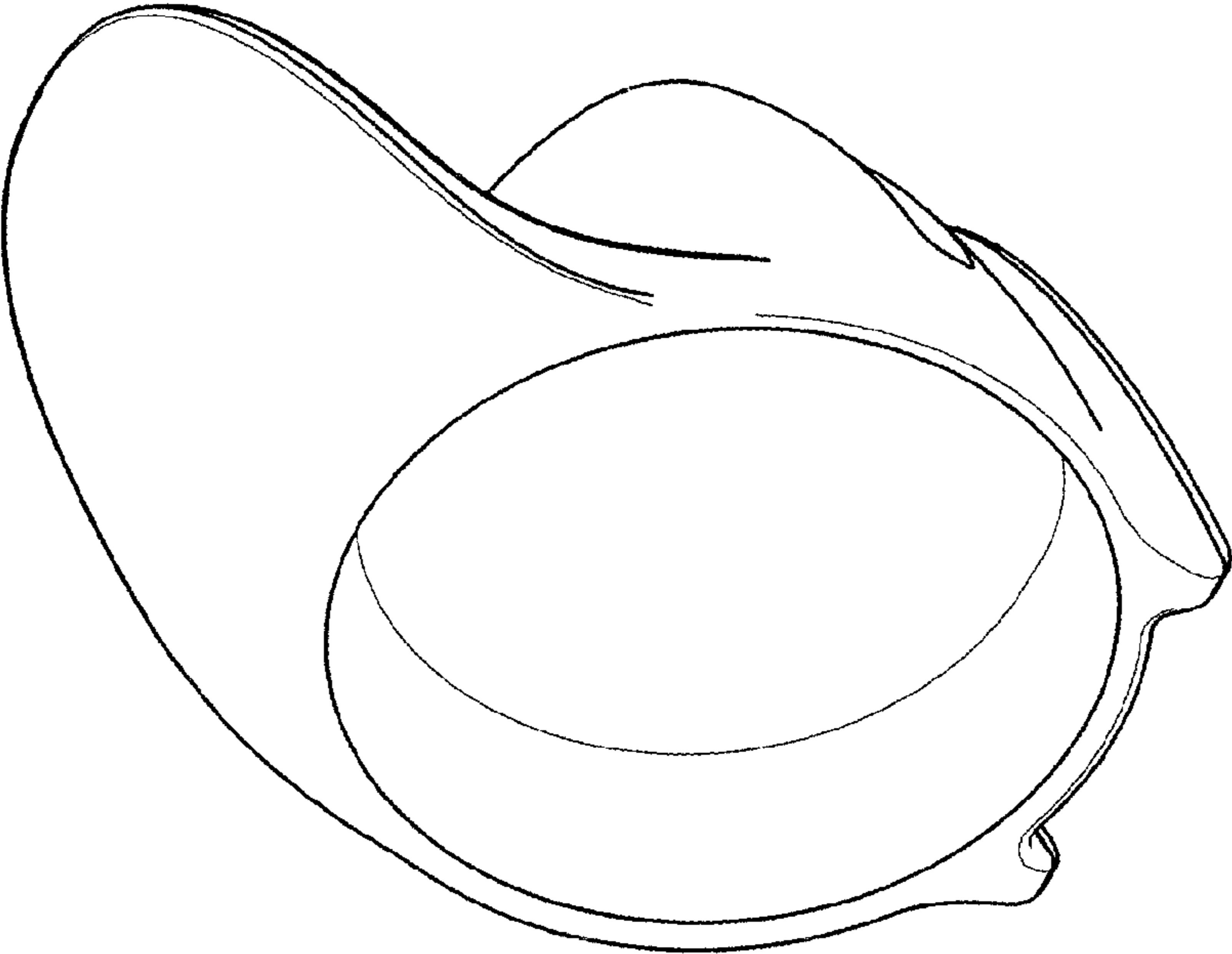


FIG. 1

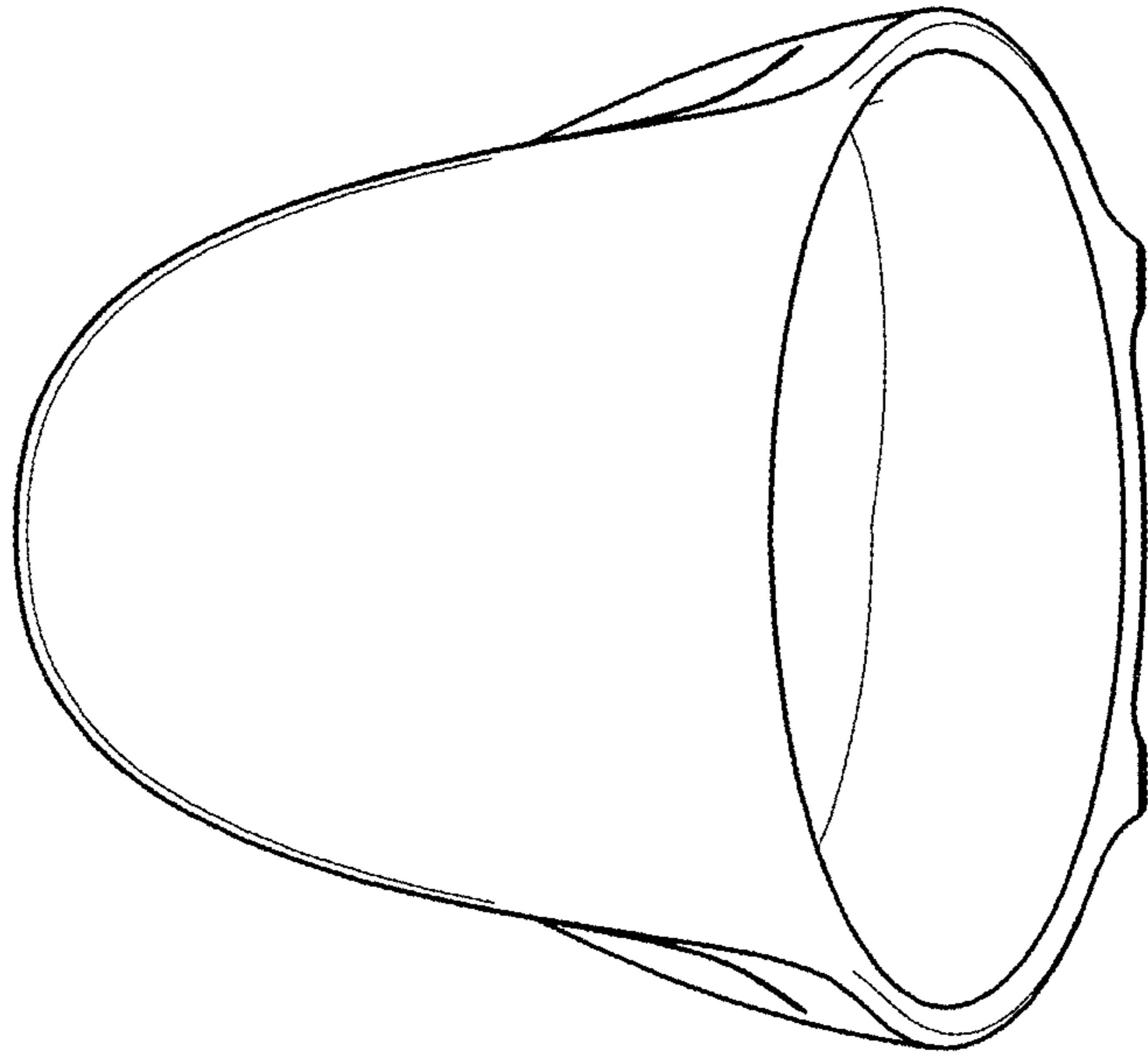


FIG. 2

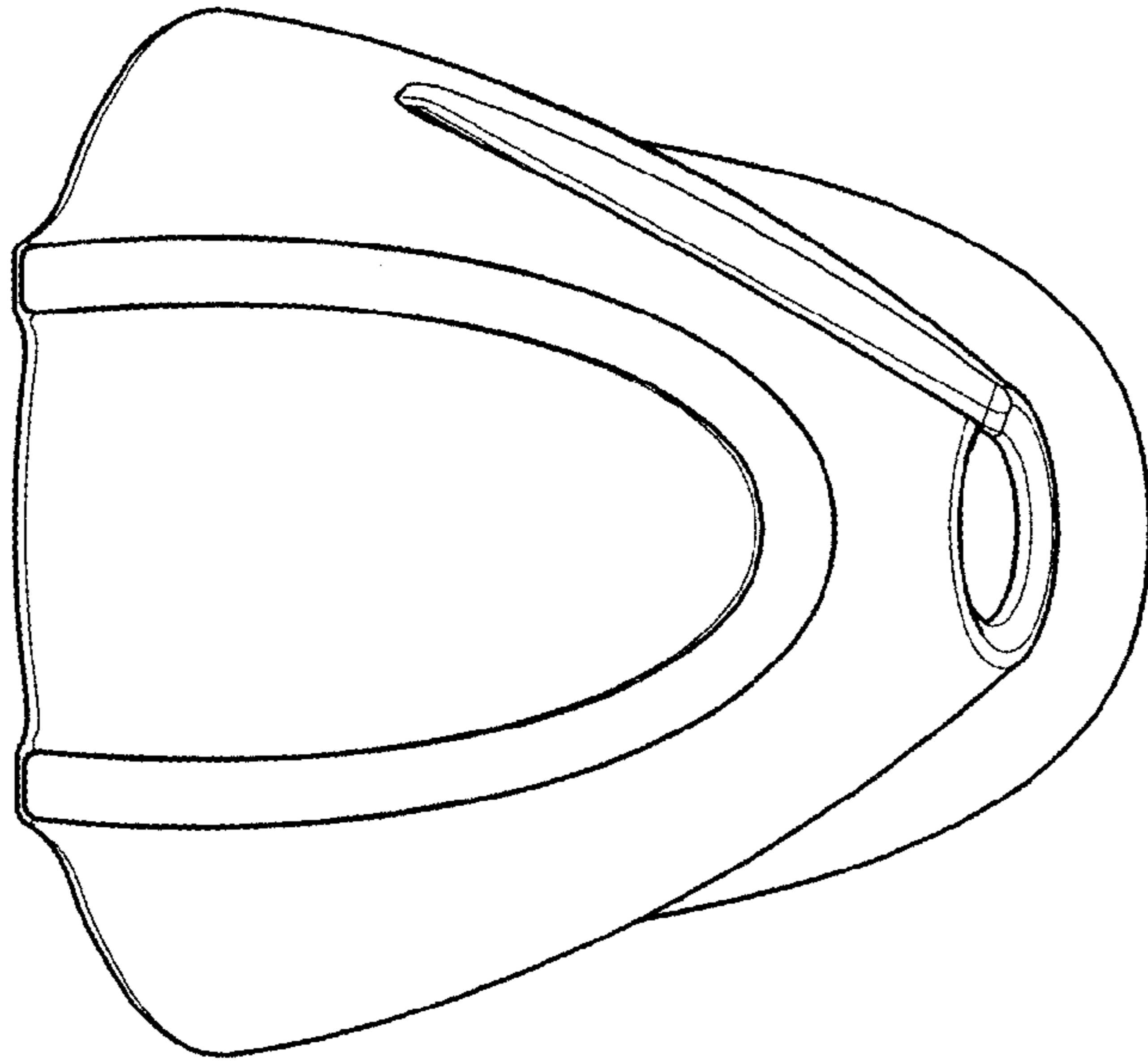


FIG. 3

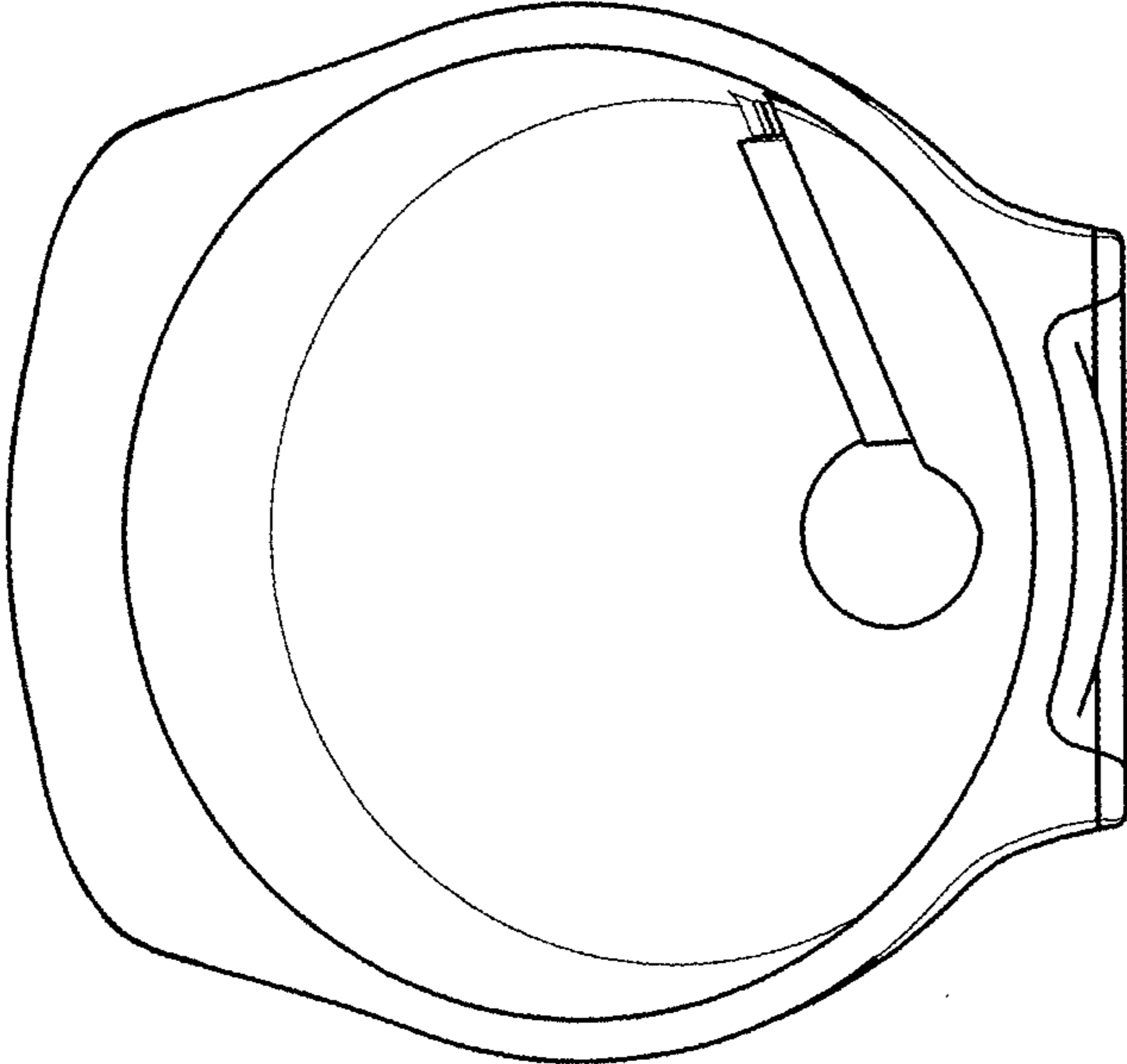


FIG. 4

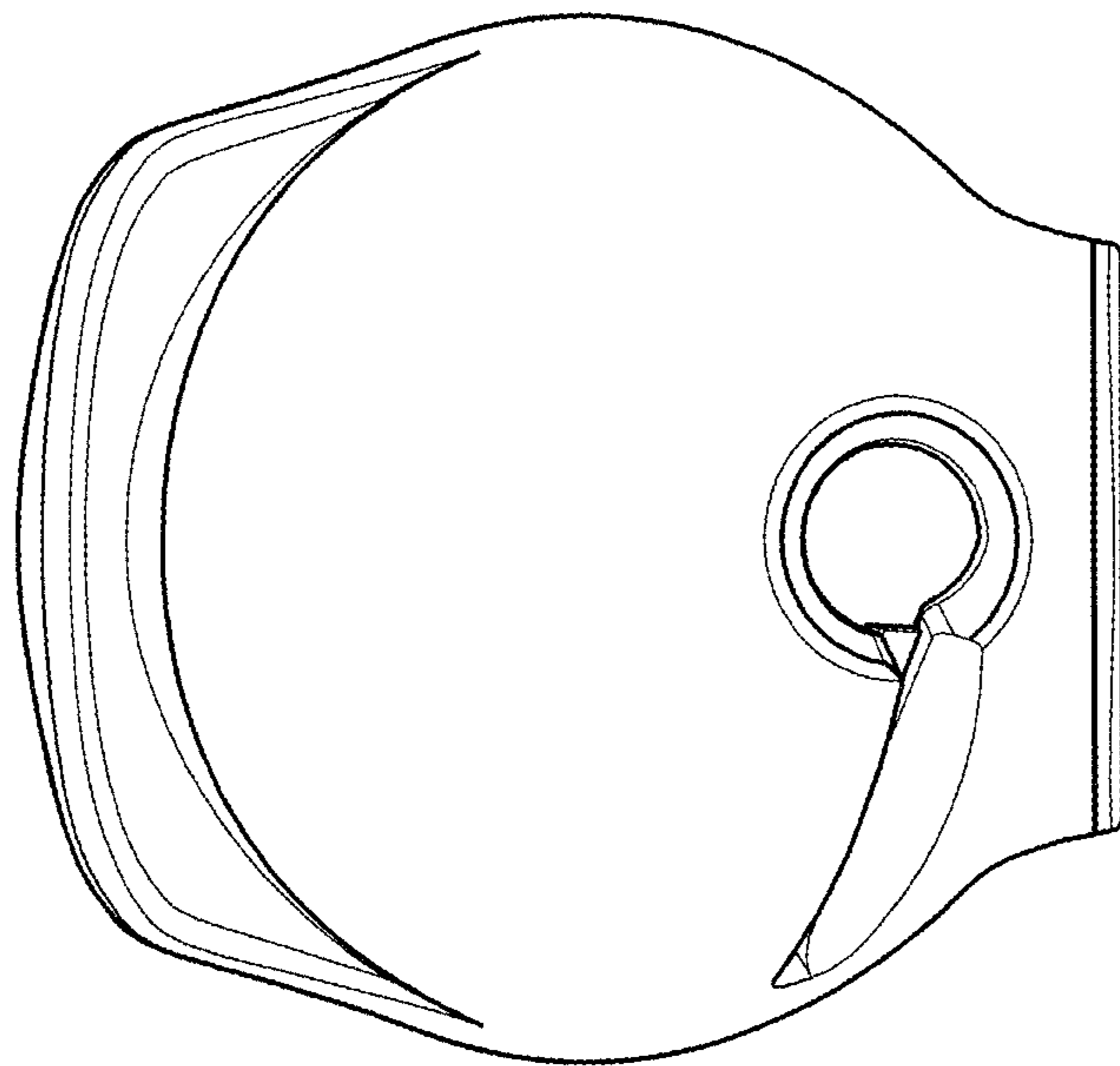


FIG. 5

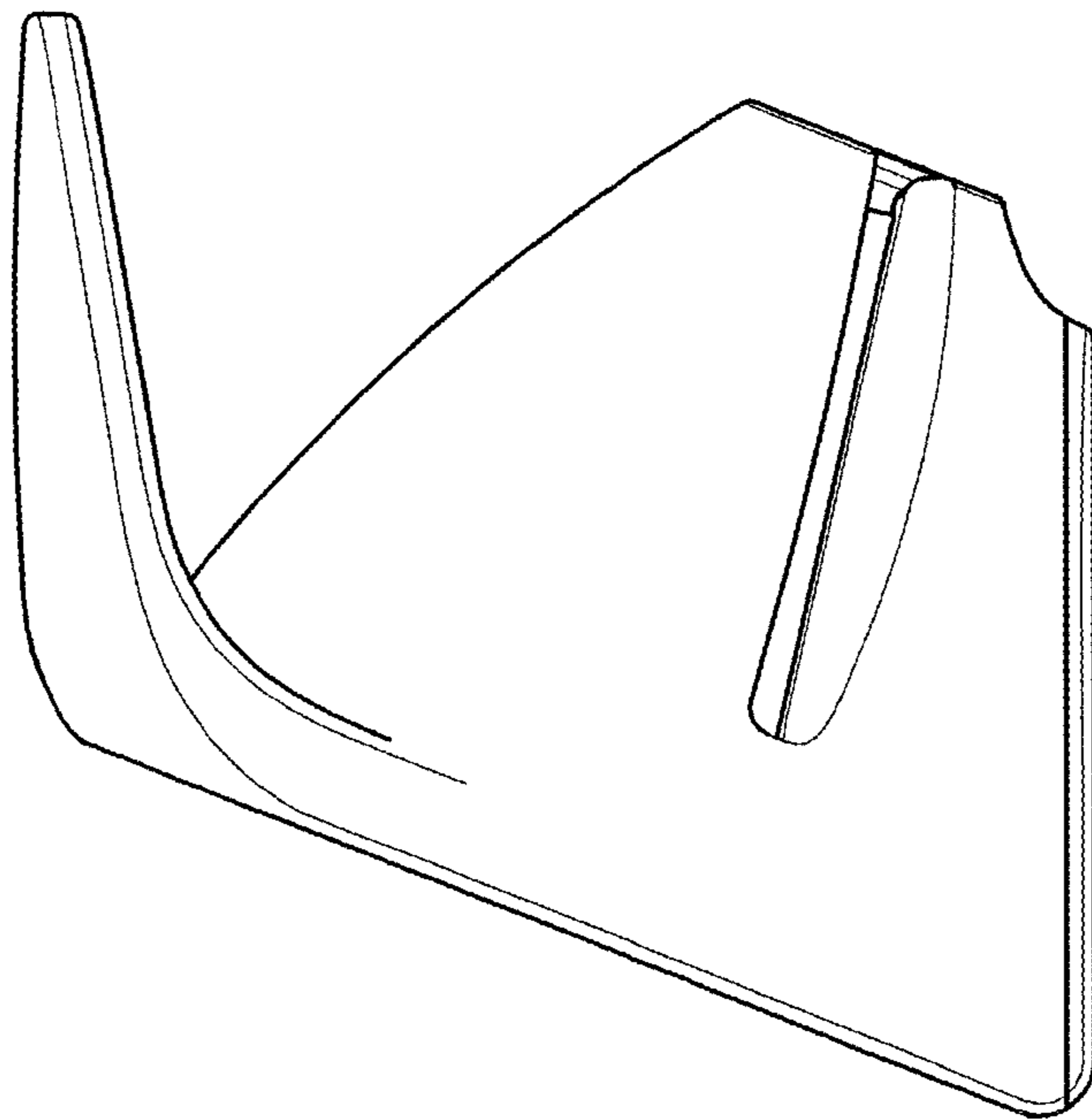


FIG. 6

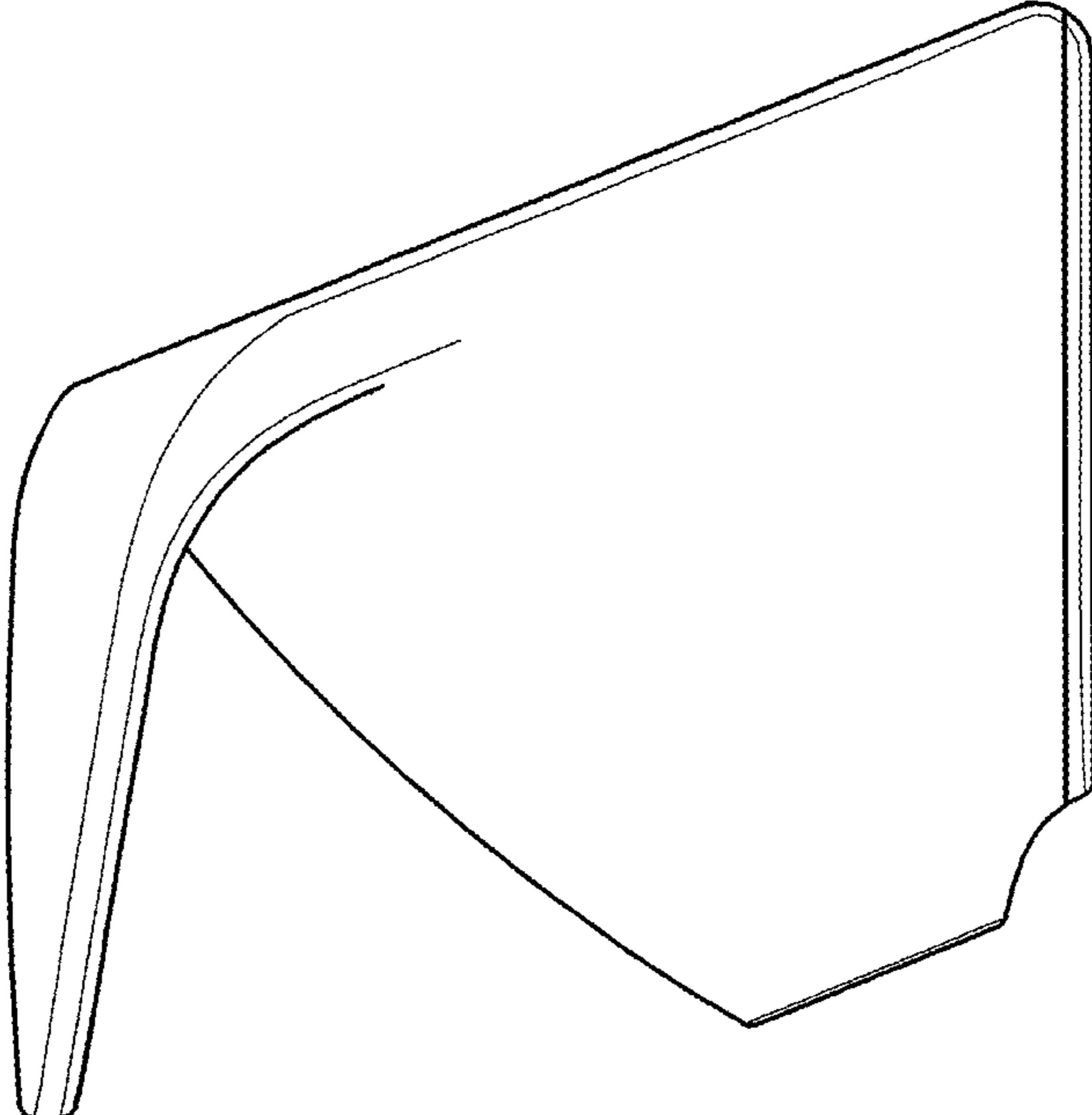


FIG. 7