

US00D766678S

(12) **United States Design Patent** (10) **Patent No.:** **US D766,678 S**
Kestenbaum et al. (45) **Date of Patent:** **** Sep. 20, 2016**

(54) **SCOOP**
(71) Applicant: **SharkNinja Operating LLC**, Newton, MA (US)
(72) Inventors: **Daniel Kestenbaum**, Brookline, MA (US); **Devin Coakley**, Bellingham, MA (US)
(73) Assignee: **SHARKNINJA OPERATING LLC**, Newton, MA (US)

D484,425 S * 12/2003 Settele D10/46.3
D548,116 S * 8/2007 Curtin D10/46.3
D648,848 S * 11/2011 Evans D10/46.3
2012/0000286 A1 * 1/2012 Binns G01F 19/002
73/426

* cited by examiner

Primary Examiner — Terry Wallace

(74) *Attorney, Agent, or Firm* — Cantor Colburn LLP

(**) Term: **15 Years**

(21) Appl. No.: **29/531,850**

(22) Filed: **Jun. 30, 2015**

(51) **LOC (10) Cl.** **07-02**

(52) **U.S. Cl.**
USPC **D7/691; D10/46.3**

(58) **Field of Classification Search**
USPC D7/691, 692, 669, 642, 643, 644, 653;
D10/46.2, 46.3
CPC A47G 21/04; A47G 21/02; G01F 19/002;
G01F 19/00; A61J 7/0023
See application file for complete search history.

(57) **CLAIM**

The ornamental design for a scoop, as shown and described.

DESCRIPTION

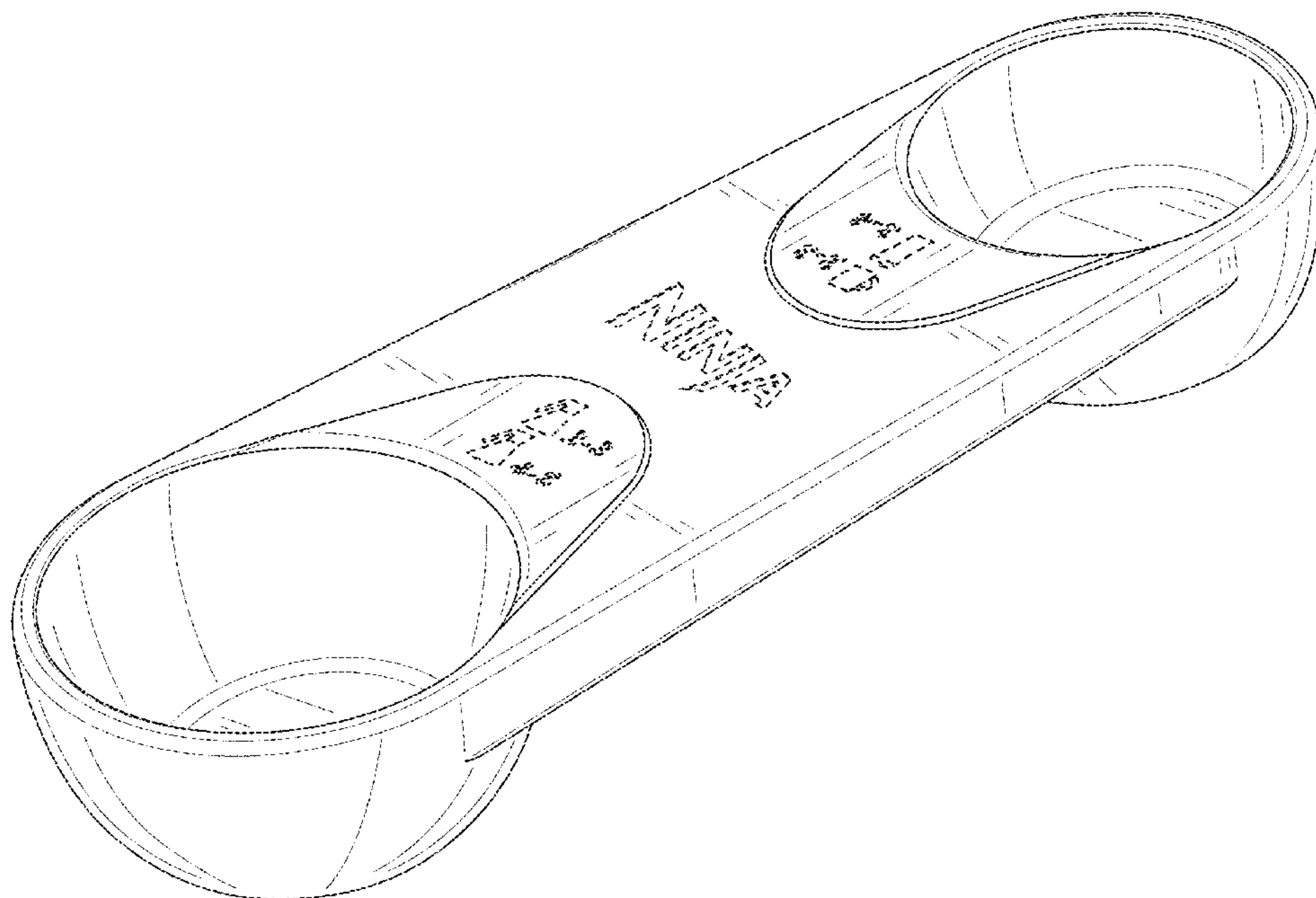
FIG. 1 is a perspective view of a scoop showing our new design;
FIG. 2 is a front elevational view thereof;
FIG. 3 is a rear elevational view thereof;
FIG. 4 is a left side elevational view thereof;
FIG. 5 is a right side elevational view thereof;
FIG. 6 is a top plan view thereof; and,
FIG. 7 is a bottom plan view thereof.

(56) **References Cited**

U.S. PATENT DOCUMENTS

D127,611 S * 6/1941 Hadfield 30/324
D156,850 S * 1/1950 Shirley 30/324
D480,318 S * 10/2003 Settele D10/46.3

1 Claim, 7 Drawing Sheets



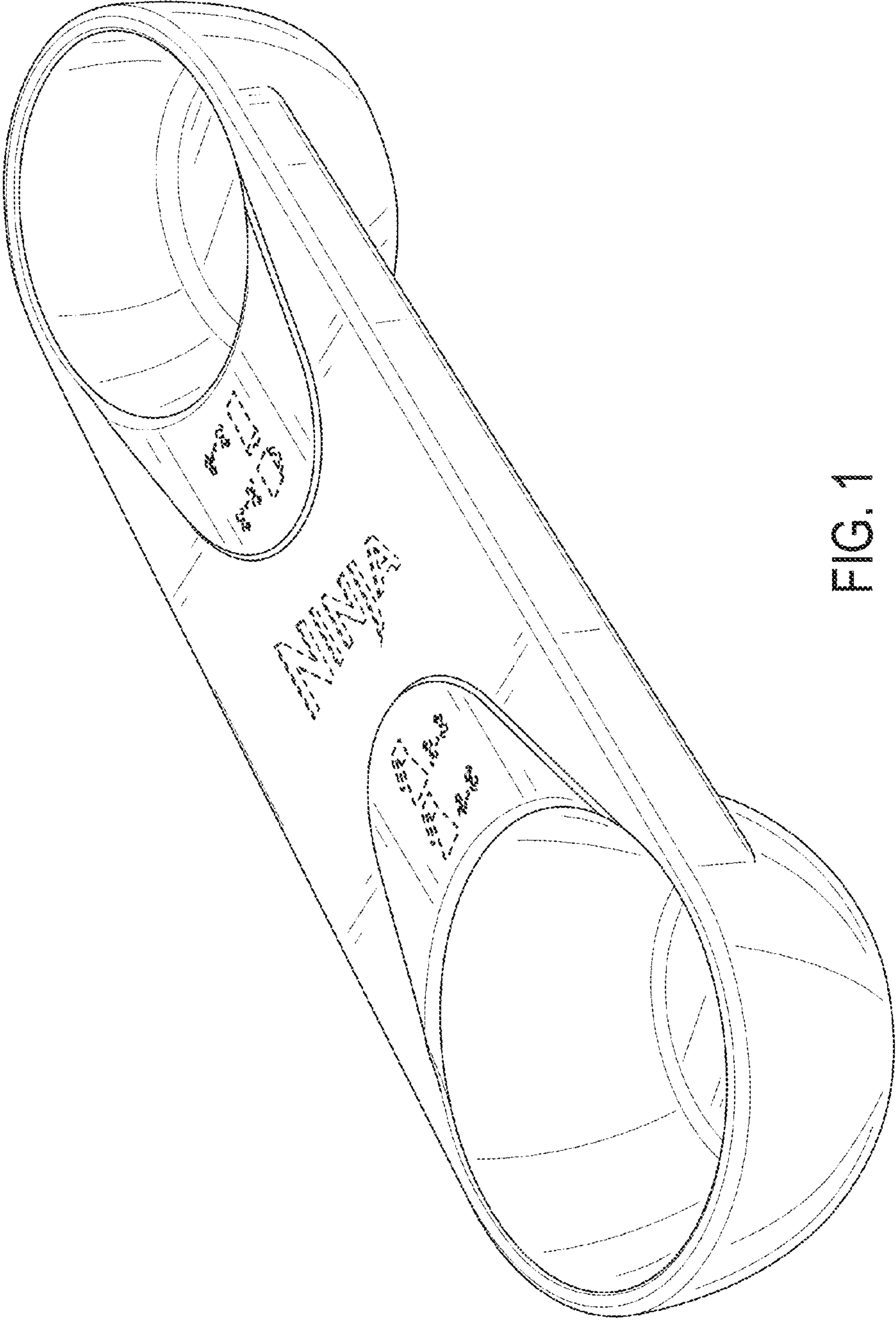


FIG. 1

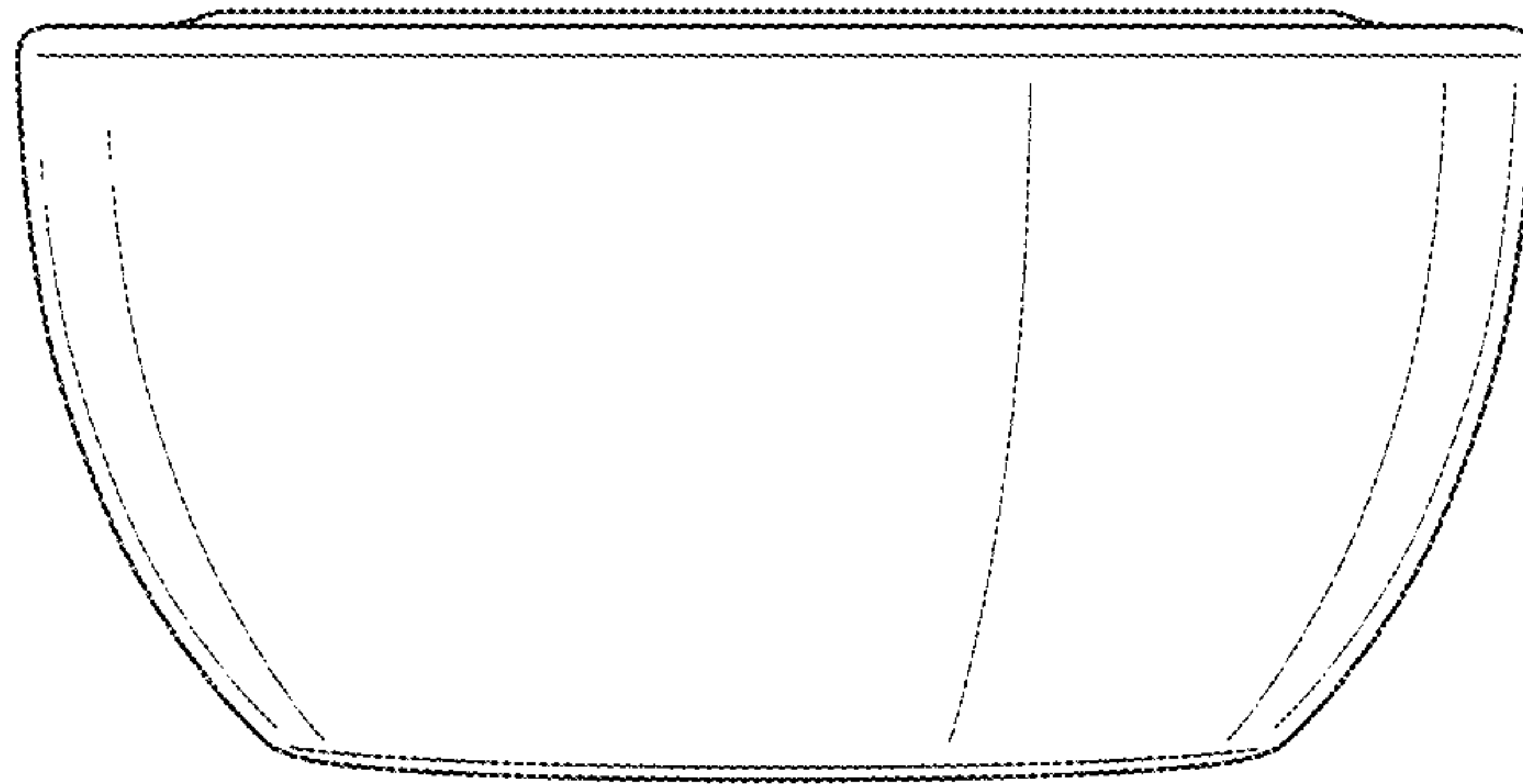


FIG. 2

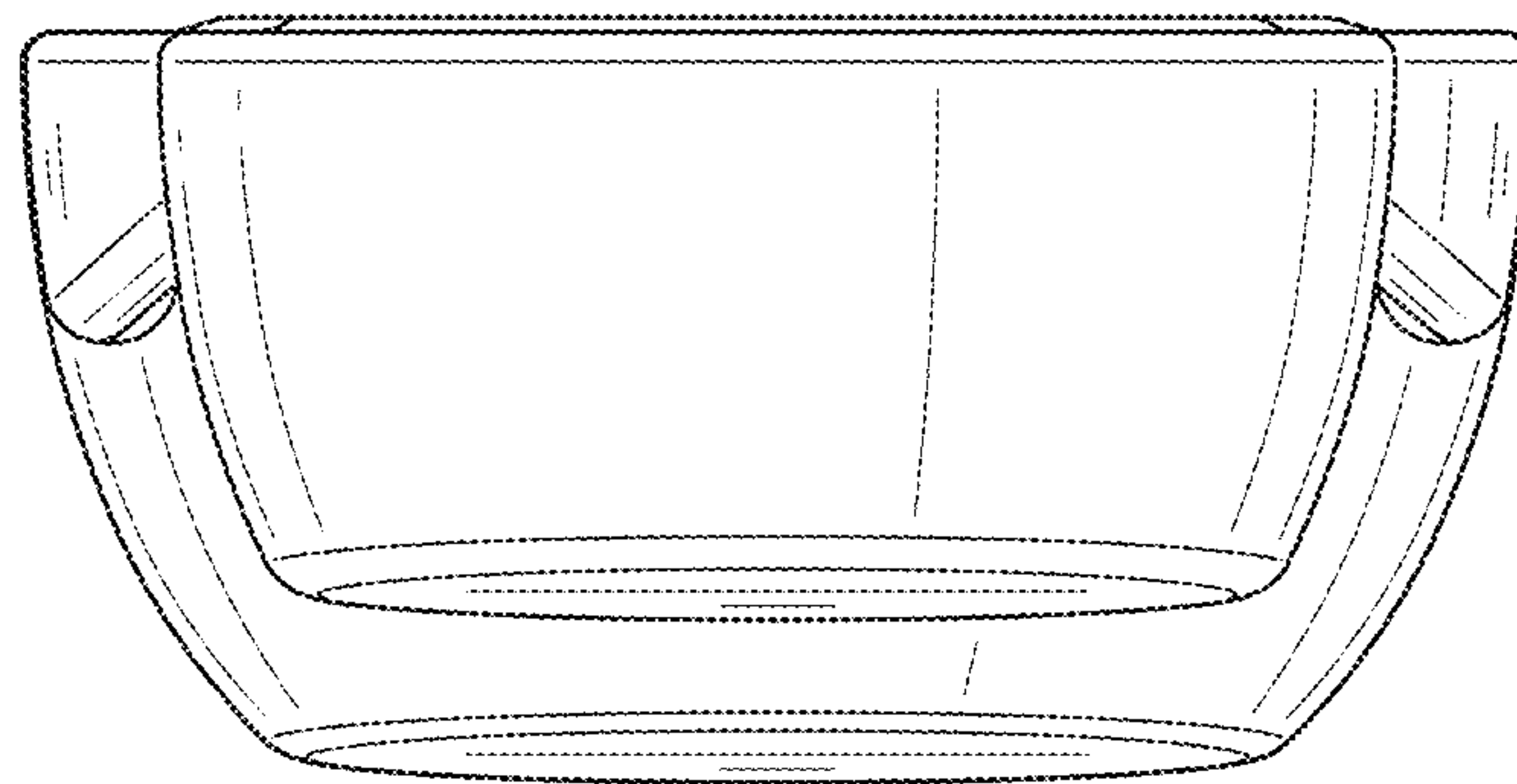


FIG. 3

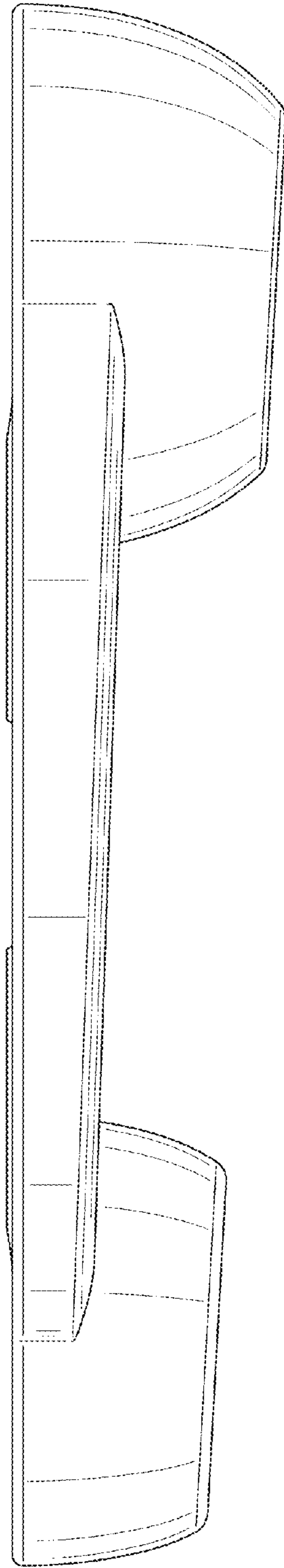


FIG. 4

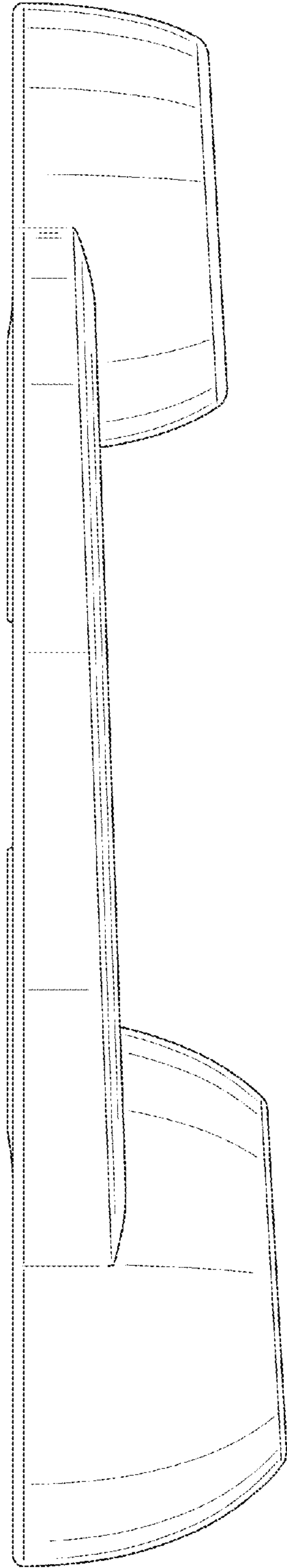


FIG. 5

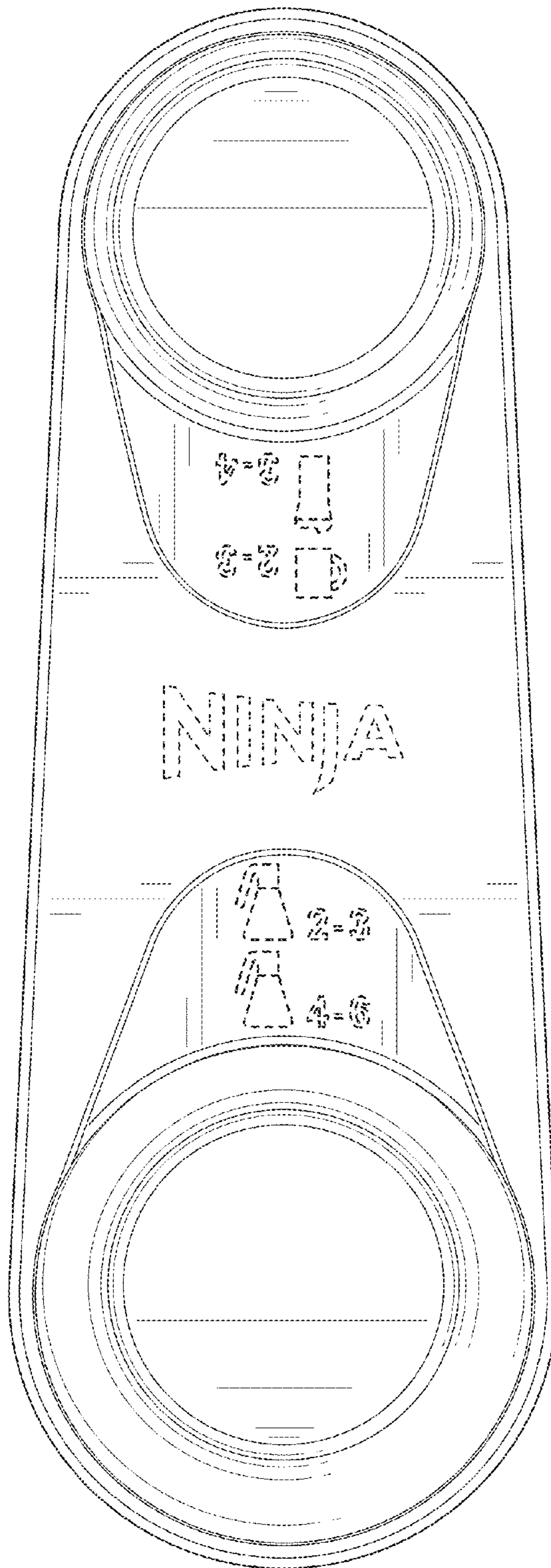


FIG. 6

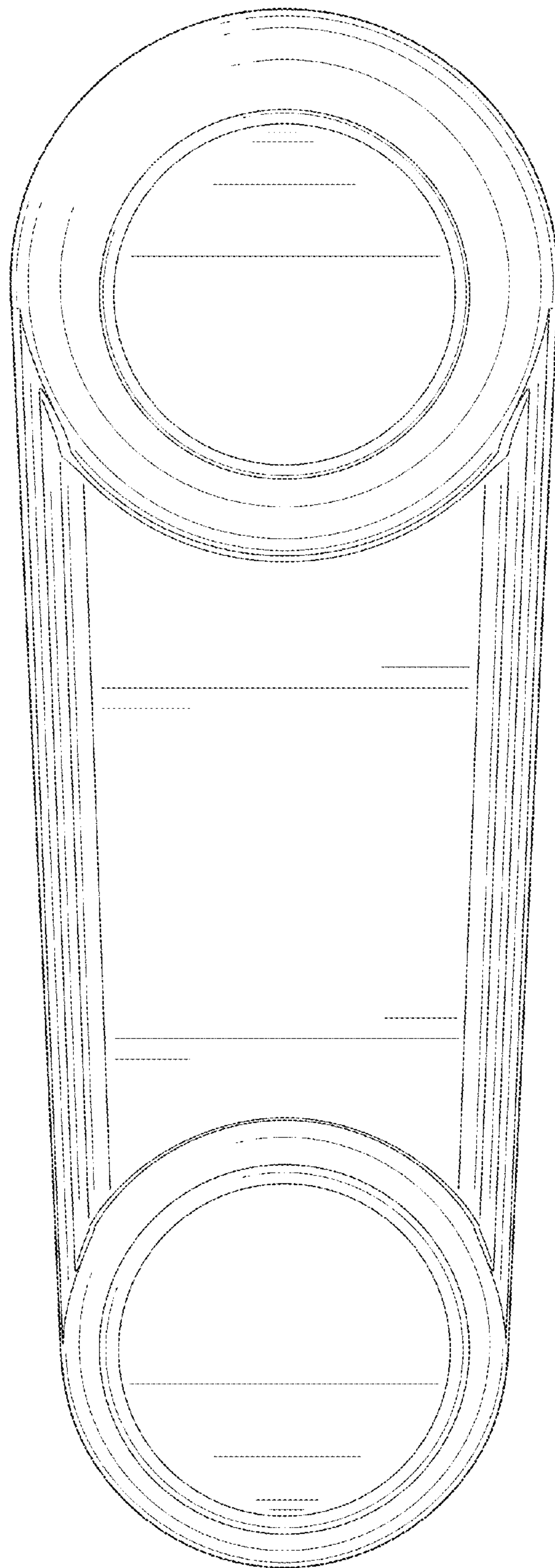


FIG. 7