

US00D766676S

(12) **United States Design Patent** (10) **Patent No.:** **US D766,676 S**
Inoue (45) **Date of Patent:** **** Sep. 20, 2016**

(54) **LID FOR A CONTAINER** 4,797,295 A * 1/1989 Franco A23G 3/0268
249/59
(71) Applicant: **Akagi Nyugyo Co., Ltd.**, Fukaya-shi, D376,731 S * 12/1996 Lin D7/529
Saitama (JP) 5,626,897 A * 5/1997 Goldstein A21B 5/026
426/138
(72) Inventor: **Sota Inoue**, Fukaya (JP) 5,979,695 A * 11/1999 Valls B65D 85/78
220/666
(73) Assignee: **AKAGI NYUGYO CO., LTD.**, D431,760 S * 10/2000 Sullivan D7/672
Fukaya-Shi (JP) D575,118 S * 8/2008 Bignon D7/672

(**) Term: **14 Years**
(21) Appl. No.: **29/495,191**
(22) Filed: **Jun. 27, 2014**

FOREIGN PATENT DOCUMENTS

JP 10-117692 A 5/1998
JP 2590743 Y2 2/1999
JP 1070275 S 5/2000
JP 1137918 S 4/2002
JP 2007-76709 A 3/2007

* cited by examiner

(30) **Foreign Application Priority Data**
Dec. 27, 2013 (JP) 2013-030708
(51) **LOC (10) Cl.** **07-04**
(52) **U.S. Cl.**
USPC **D7/677**
(58) **Field of Classification Search**
USPC D7/672-677, 368, 359
CPC A47J 43/20; A23G 9/221; A23G 9/04;
A23G 9/083; A23G 9/045; A23G 9/00;
A23G 3/0268; A21B 5/026; B65D 51/18;
B65D 51/28; B65D 85/78; B65D 2251/0018;
B65D 2251/0081
See application file for complete search history.

Primary Examiner — Terry Wallace
(74) *Attorney, Agent, or Firm* — Birch, Stewart, Kolasch & Birch, LLP

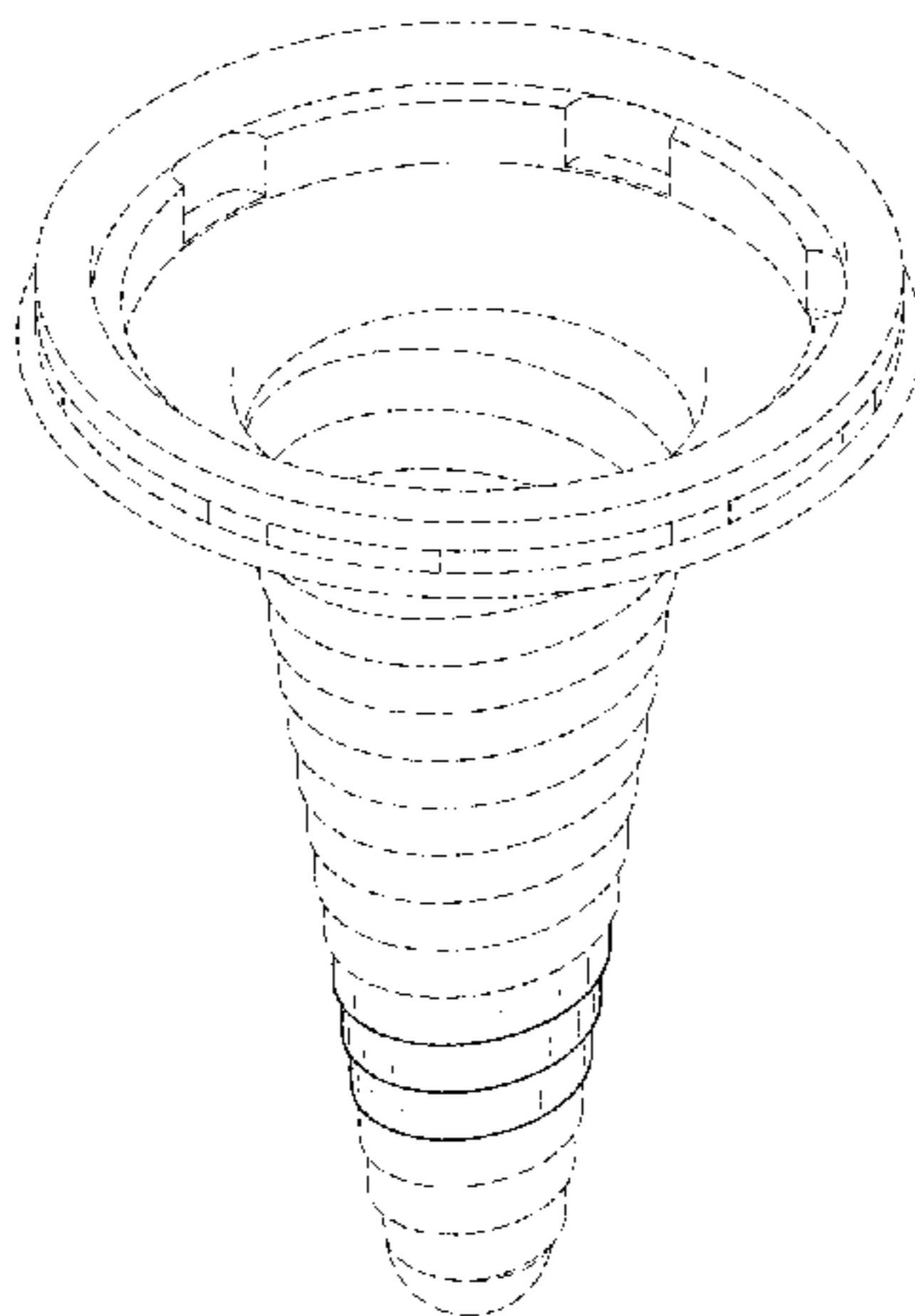
(57) **CLAIM**
The ornamental design for a lid for a container, as shown and described.

DESCRIPTION

FIG. 1 is a perspective view of the lid for a container showing my new design;
FIG. 2 is a front view thereof;
FIG. 3 is a left side view thereof;
FIG. 4 is a rear view thereof;
FIG. 5 is a right side view thereof;
FIG. 6 is a top view thereof;
FIG. 7 is a bottom view thereof;
FIG. 8 is a section view taken along line 8-8 of FIG. 6; and,
FIG. 9 is an environmental view showing the lid for a container that is in use with a container main body.
The broken lines illustrated in drawings form no part of the claimed design.

(56) **References Cited**
U.S. PATENT DOCUMENTS
1,280,422 A * 10/1918 Dieterich A23G 9/04
425/441
3,296,822 A * 1/1967 Gram A23G 9/083
249/121
3,576,113 A * 4/1971 Swett A47J 43/20
62/71
3,834,437 A * 9/1974 Swett A23G 9/221
249/139
4,548,349 A * 10/1985 Tunberg A47G 23/0216
220/737

1 Claim, 9 Drawing Sheets



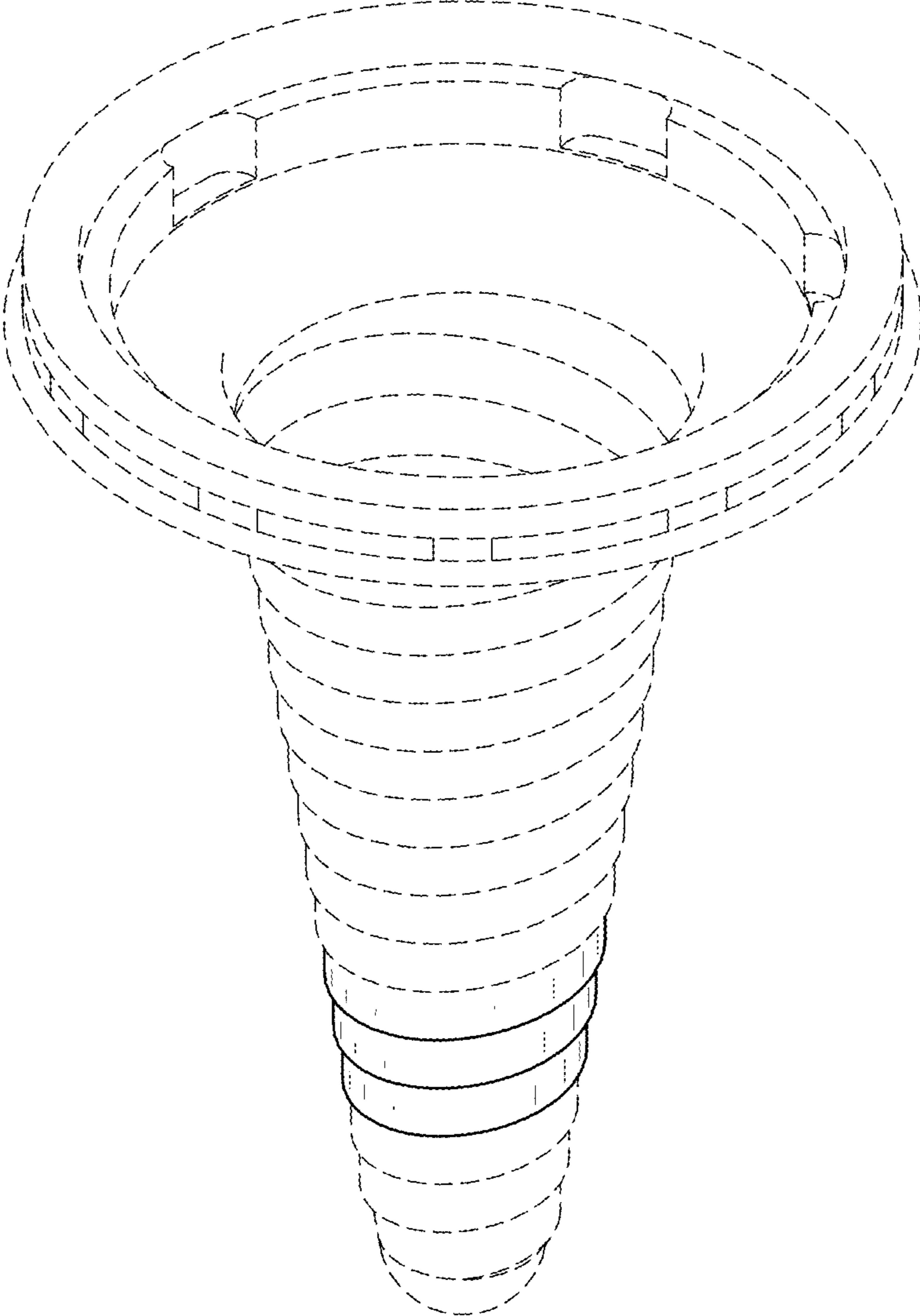


FIG. 1

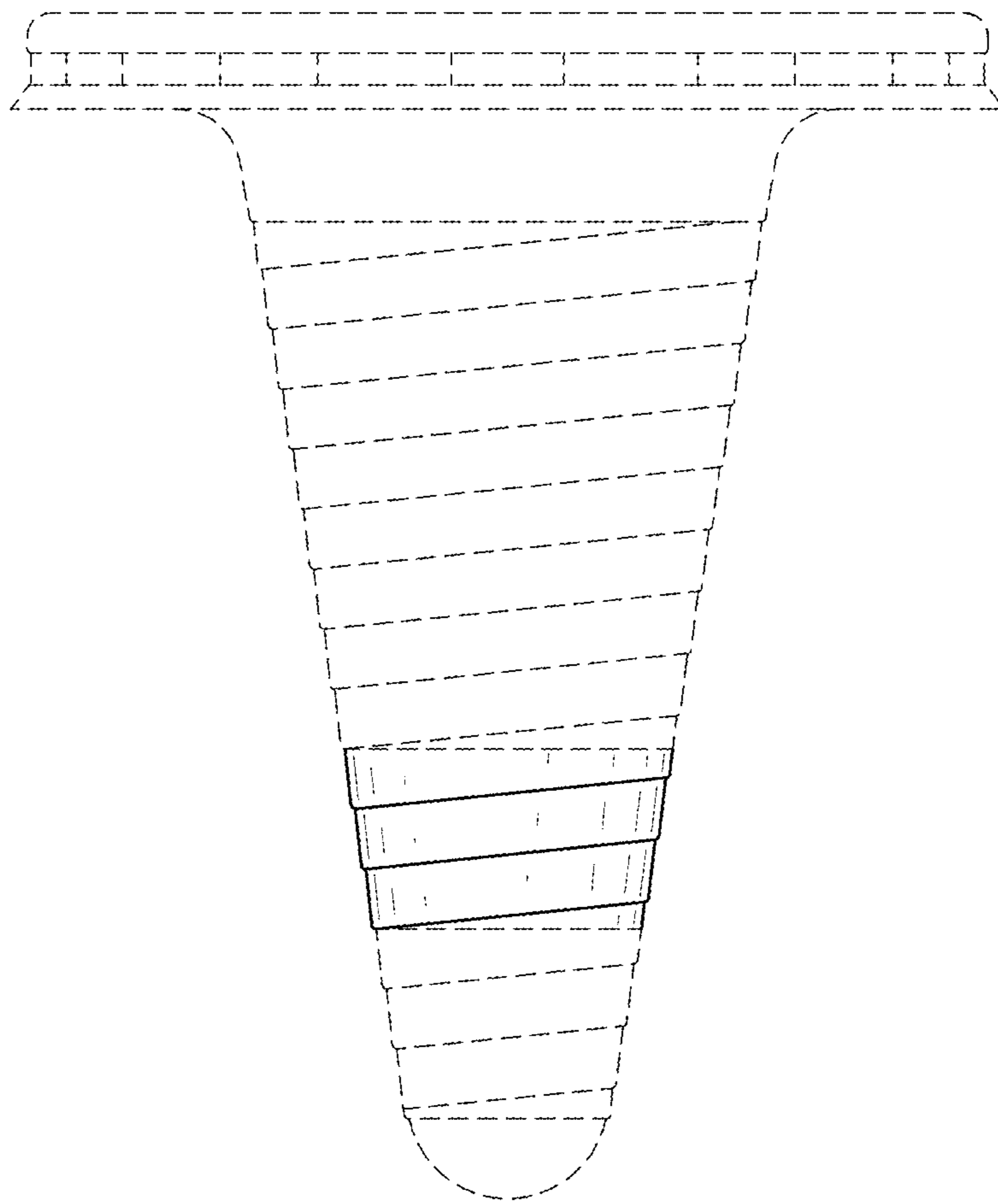


FIG. 2

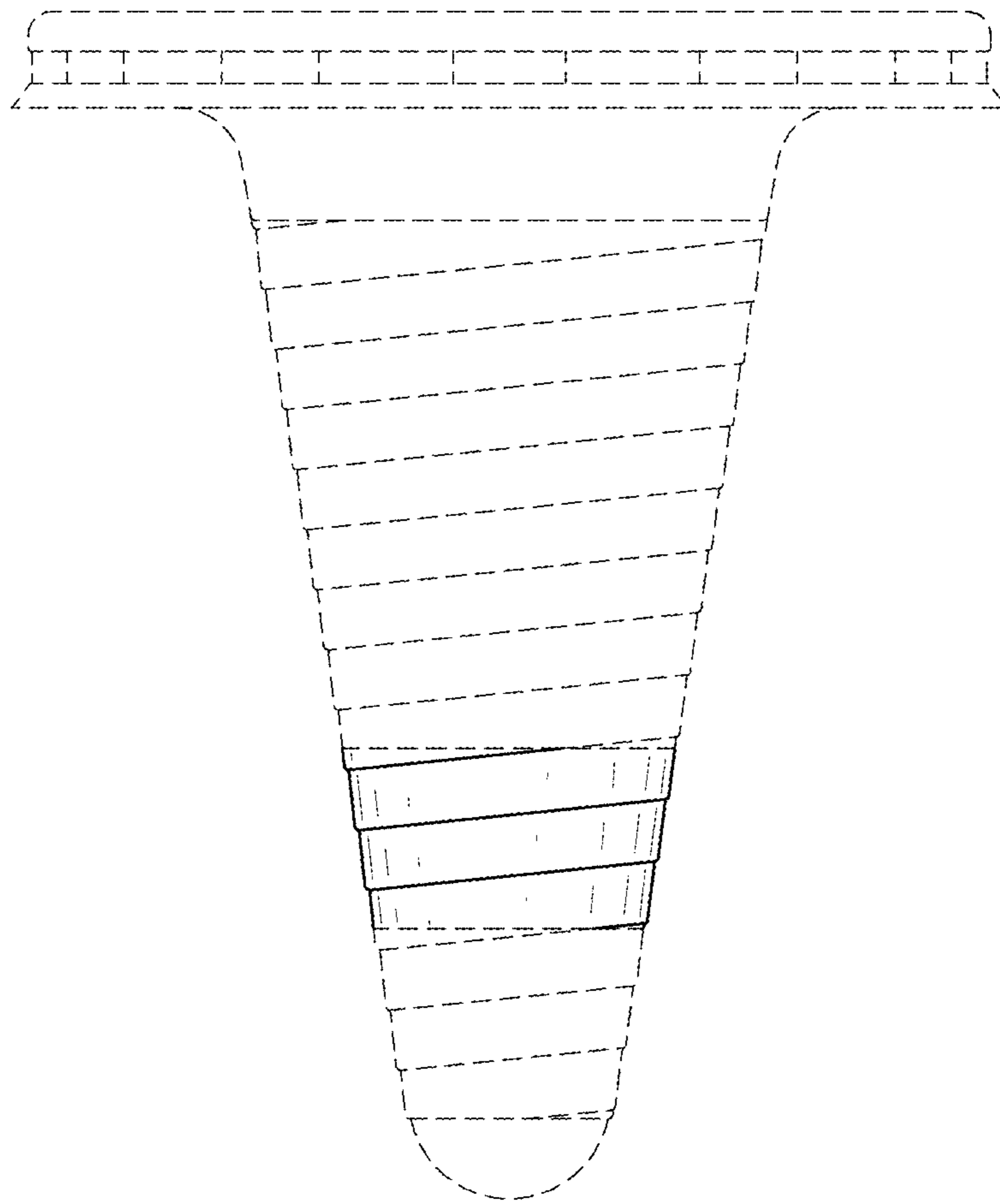


FIG.3

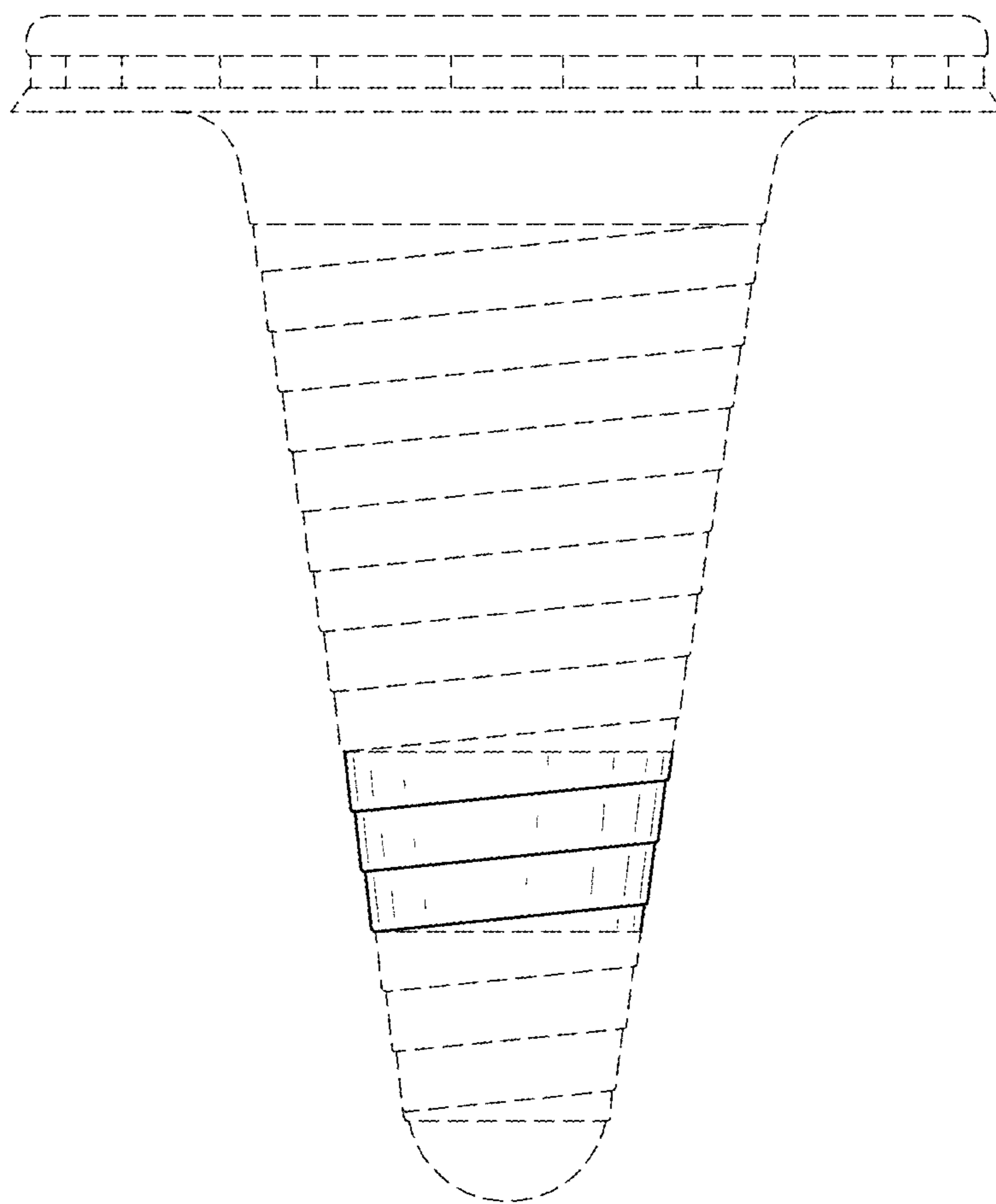


FIG.4

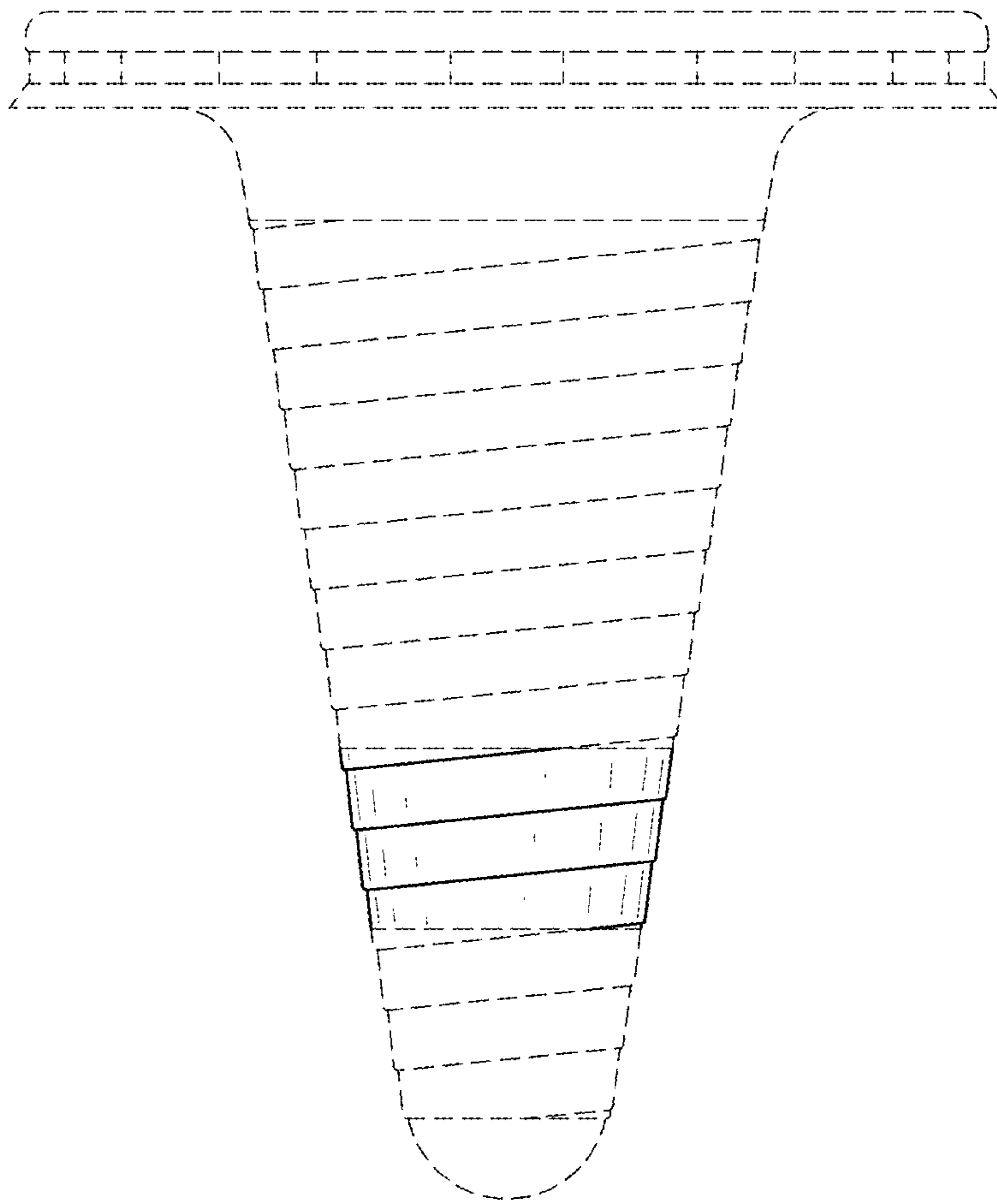


FIG.5

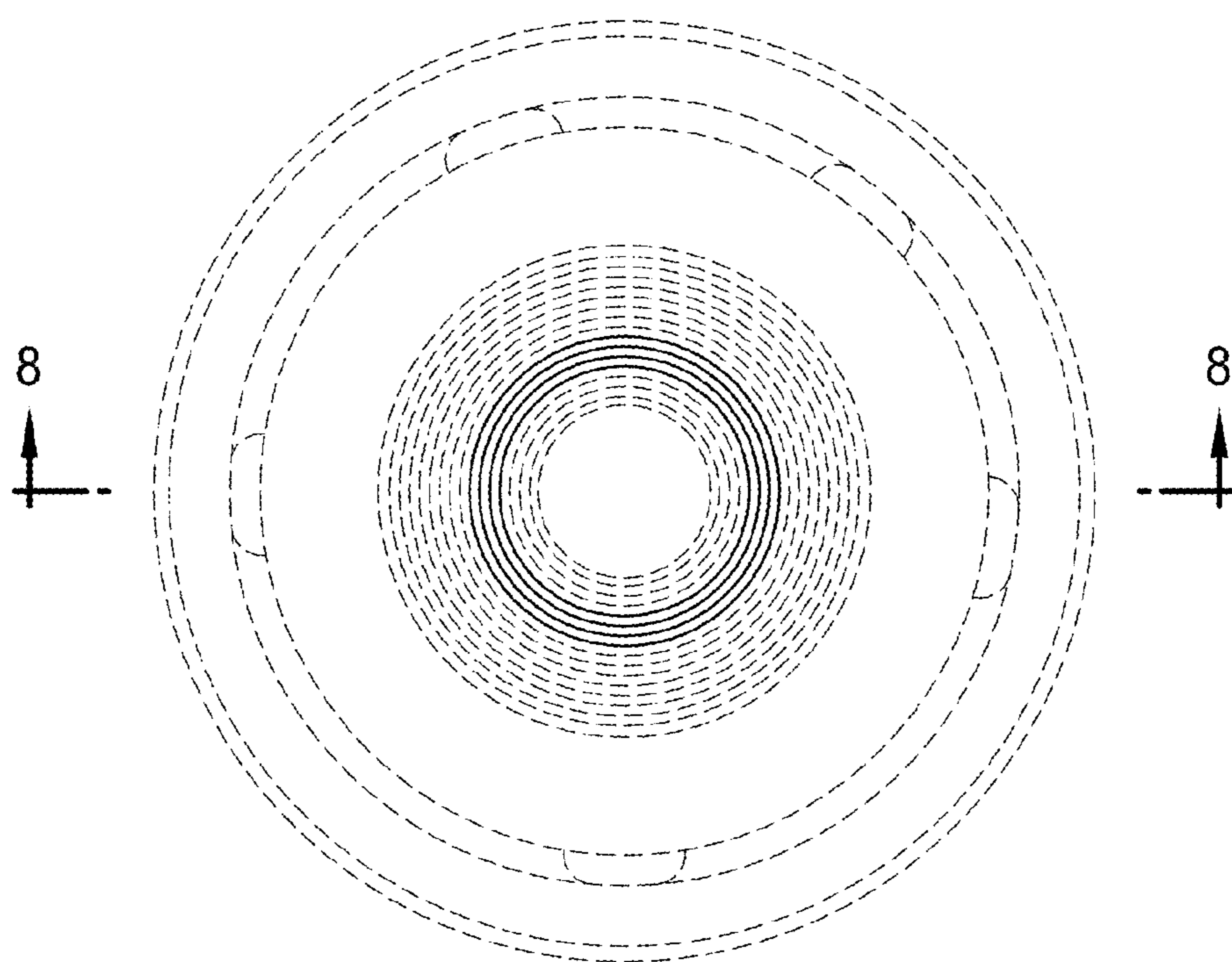


FIG.6

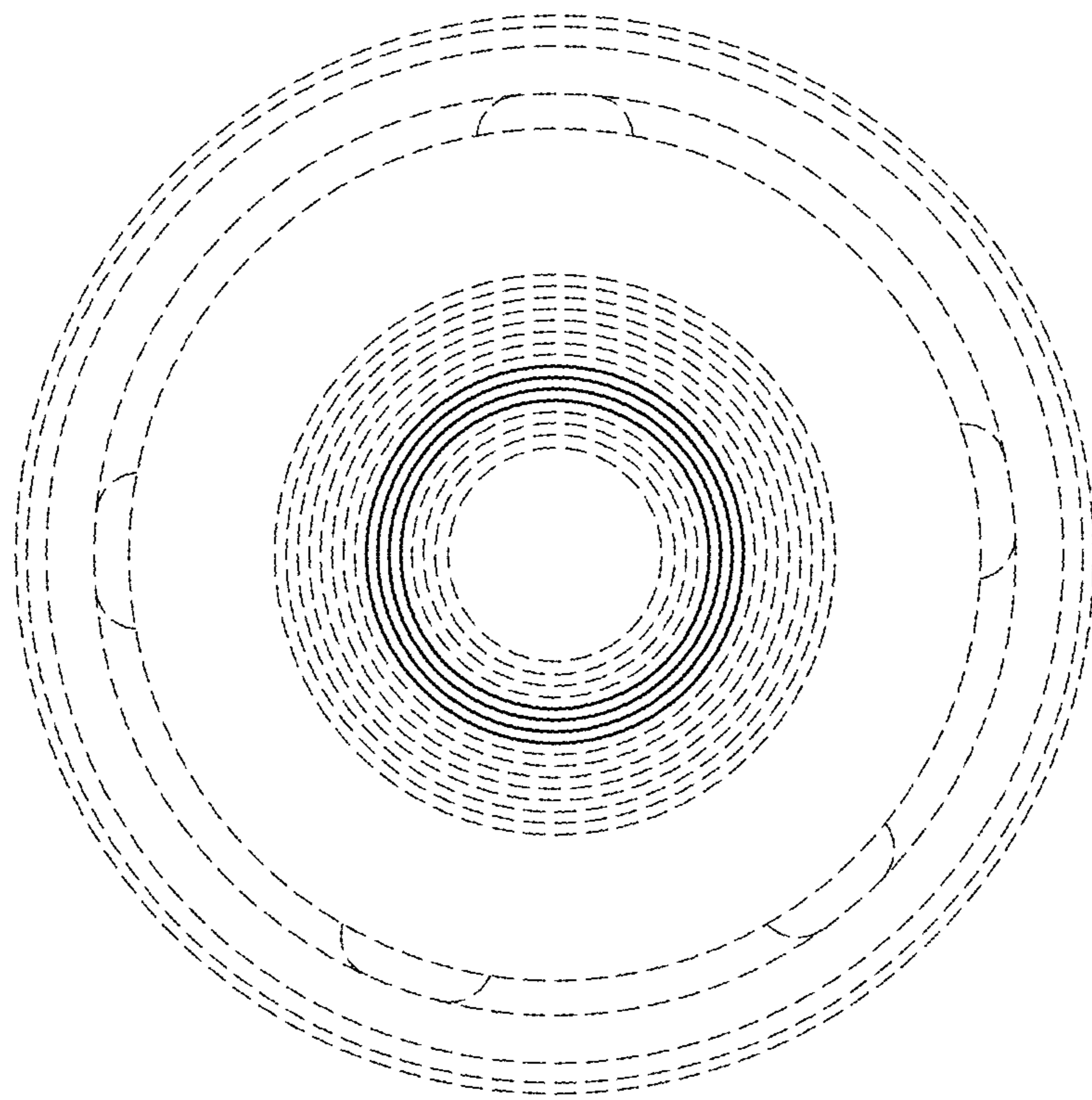


FIG. 7

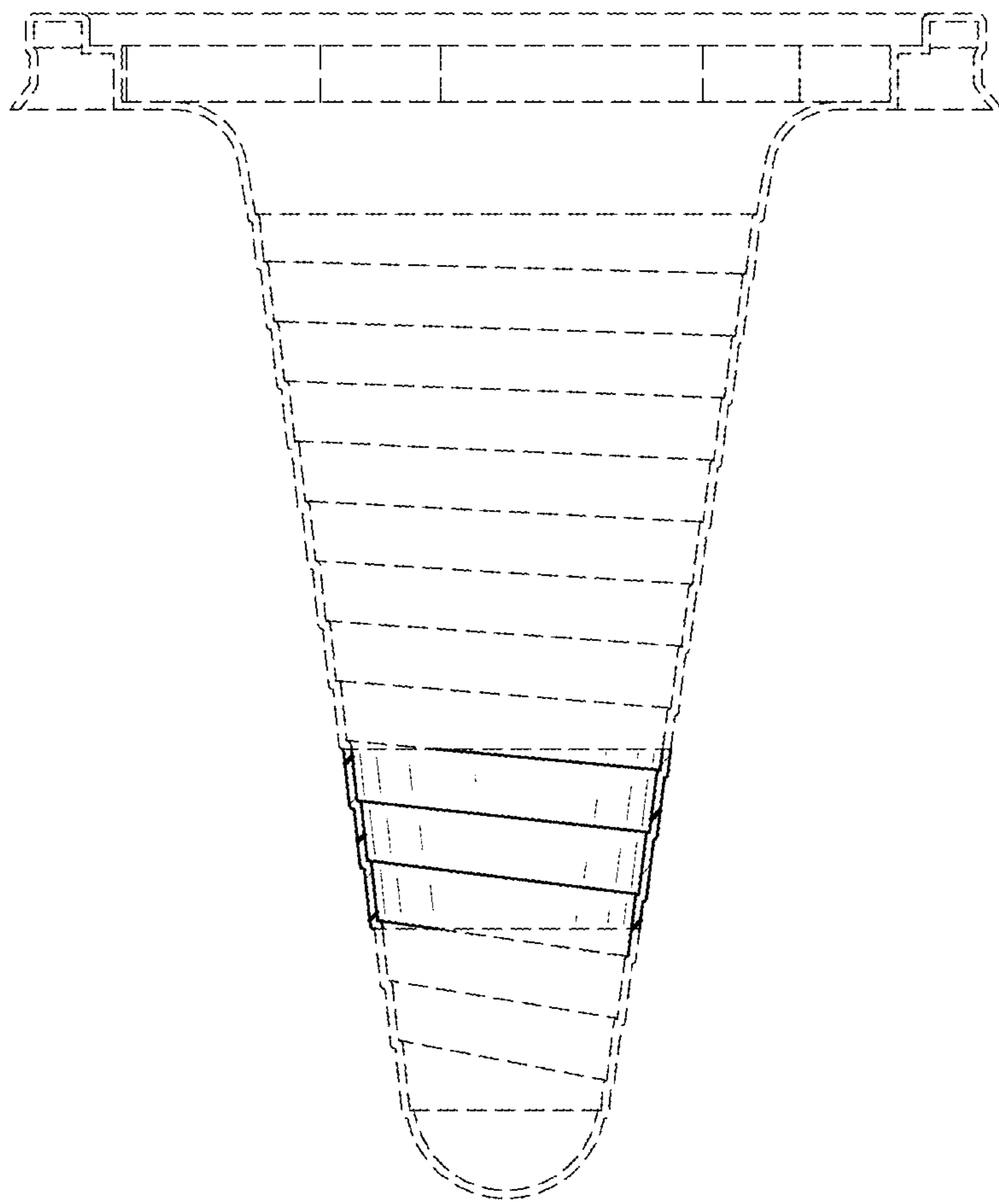


FIG.8

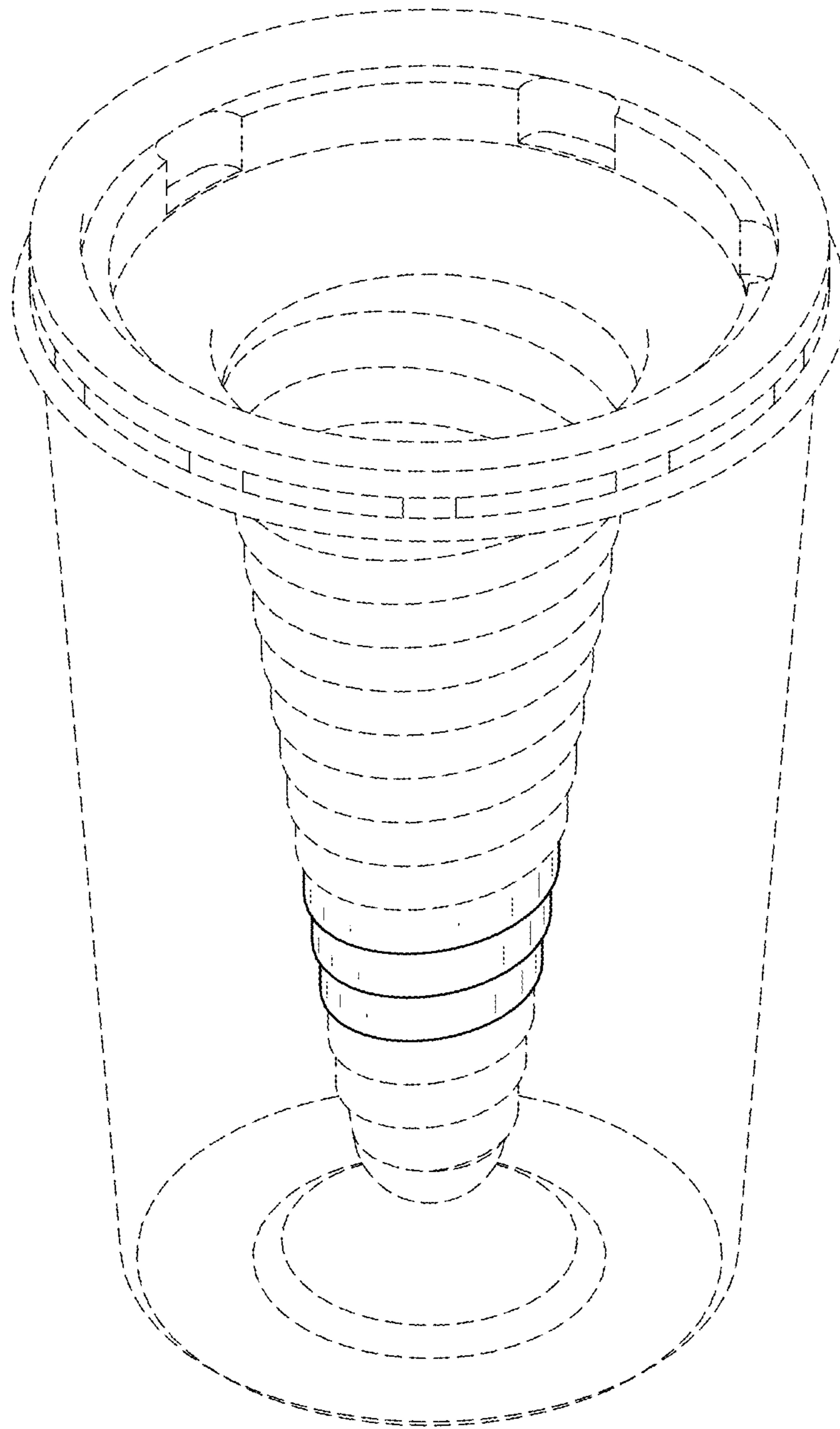


FIG.9