

US00D76668S

(12) **United States Design Patent** (10) **Patent No.:** **US D766,668 S**
Garcia (45) **Date of Patent:** **** Sep. 20, 2016**

(54) **COMBINED LUNCHBOX AND BEVERAGE JUG**

other:na:PLA_345531780_24784340220_pla-163491457020:na:na:na:2&code>.*

(71) Applicant: **Anthony Bryan Garcia**, Lemon Grove, CA (US)

* cited by examiner

(72) Inventor: **Anthony Bryan Garcia**, Lemon Grove, CA (US)

Primary Examiner — Susan Bennett Hattan
Assistant Examiner — S. Bryan Reinholdt, Jr.

(**) Term: **14 Years**

(74) *Attorney, Agent, or Firm* — Dunlap Bennett & Ludwig PLLC

(21) Appl. No.: **29/509,178**

(57) **CLAIM**

(22) Filed: **Nov. 14, 2014**

The ornamental design for a combined lunchbox and beverage jug, as shown and described.

(51) **LOC (10) Cl.** **07-01**

(52) **U.S. Cl.**
USPC **D7/608**

DESCRIPTION

(58) **Field of Classification Search**
USPC D3/273; D7/313, 602, 603, 605, 608;
62/239; 220/575
CPC B60H 1/32; B65D 88/40
See application file for complete search history.

FIG. 1 is a front perspective view of a combined lunchbox and beverage jug, showing a first embodiment of my new design;
FIG. 2 is a front elevation view thereof;
FIG. 3 is a rear elevation view thereof;
FIG. 4 is a left side elevation view thereof; the right side elevation view being a mirror image thereof;
FIG. 5 is a top plan view thereof;
FIG. 6 is a bottom plan view thereof;
FIG. 7 is a front exploded perspective view of a combined lunchbox and beverage jug, showing a second embodiment of the design;
FIG. 8 is a front elevation exploded view thereof;
FIG. 9 is a rear elevation exploded view thereof;
FIG. 10 is a left side exploded elevation view thereof;
FIG. 11 is a right side exploded elevation view thereof;
FIG. 12 is a top plan exploded view thereof; and,
FIG. 13 is a bottom plan exploded view thereof.
The broken lines in the Figures represent portions of the article that form no part of the claimed design.

(56) **References Cited**

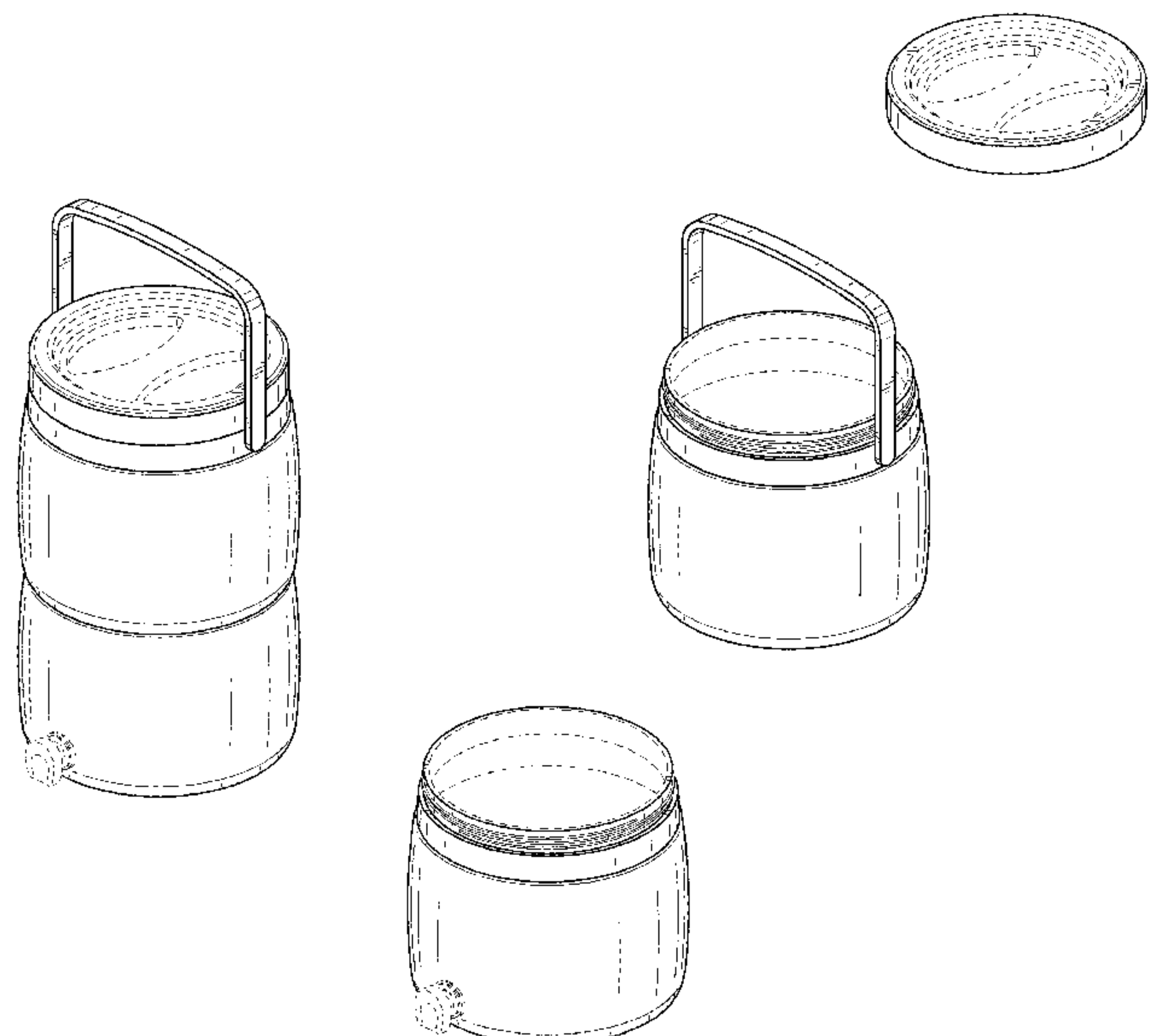
U.S. PATENT DOCUMENTS

D252,438 S *	7/1979	Cannon	D7/313
D530,141 S *	10/2006	Wilgus	D7/313
D574,668 S *	8/2008	Kelly	D22/136
D622,089 S *	8/2010	Daniel	D7/313
D652,264 S *	1/2012	Fuller	D7/608
2011/0186585 A1 *	8/2011	Lu	A47J 41/00 220/575

OTHER PUBLICATIONS

Jet, Coleman 8 qt. Jug Cooler with Drip Resistant Faucet, publication date unknown, [site visited Jun. 7, 2016], Available on the Internet
URL:<https://jet.com/product/detail/f7ea05c7b00d401a86590977830b6893?jcmp=pla:ggl:gen_home_garden_a3:hn_kitchen_dining_food_beverage_carriers_a3_

1 Claim, 8 Drawing Sheets



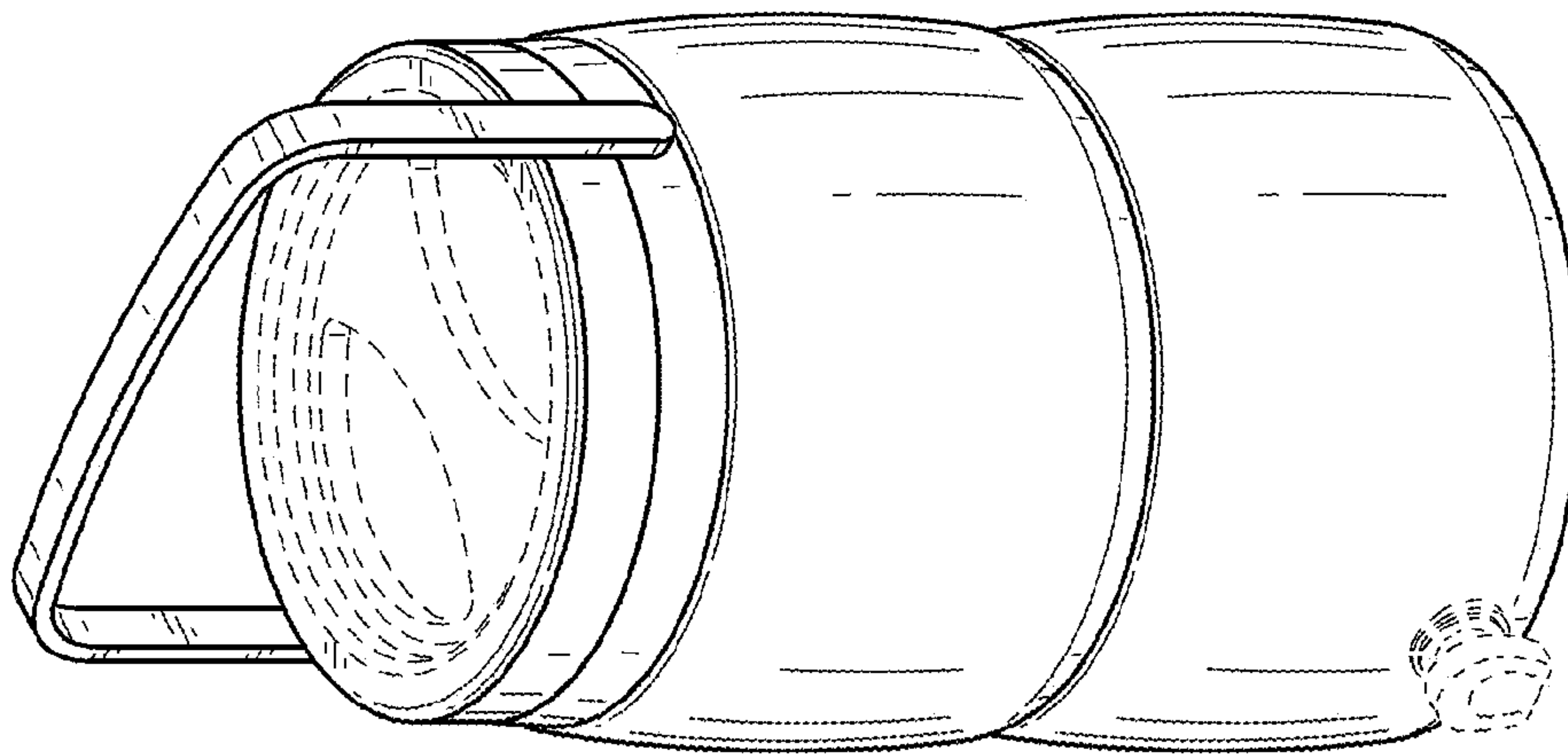


FIG. 1

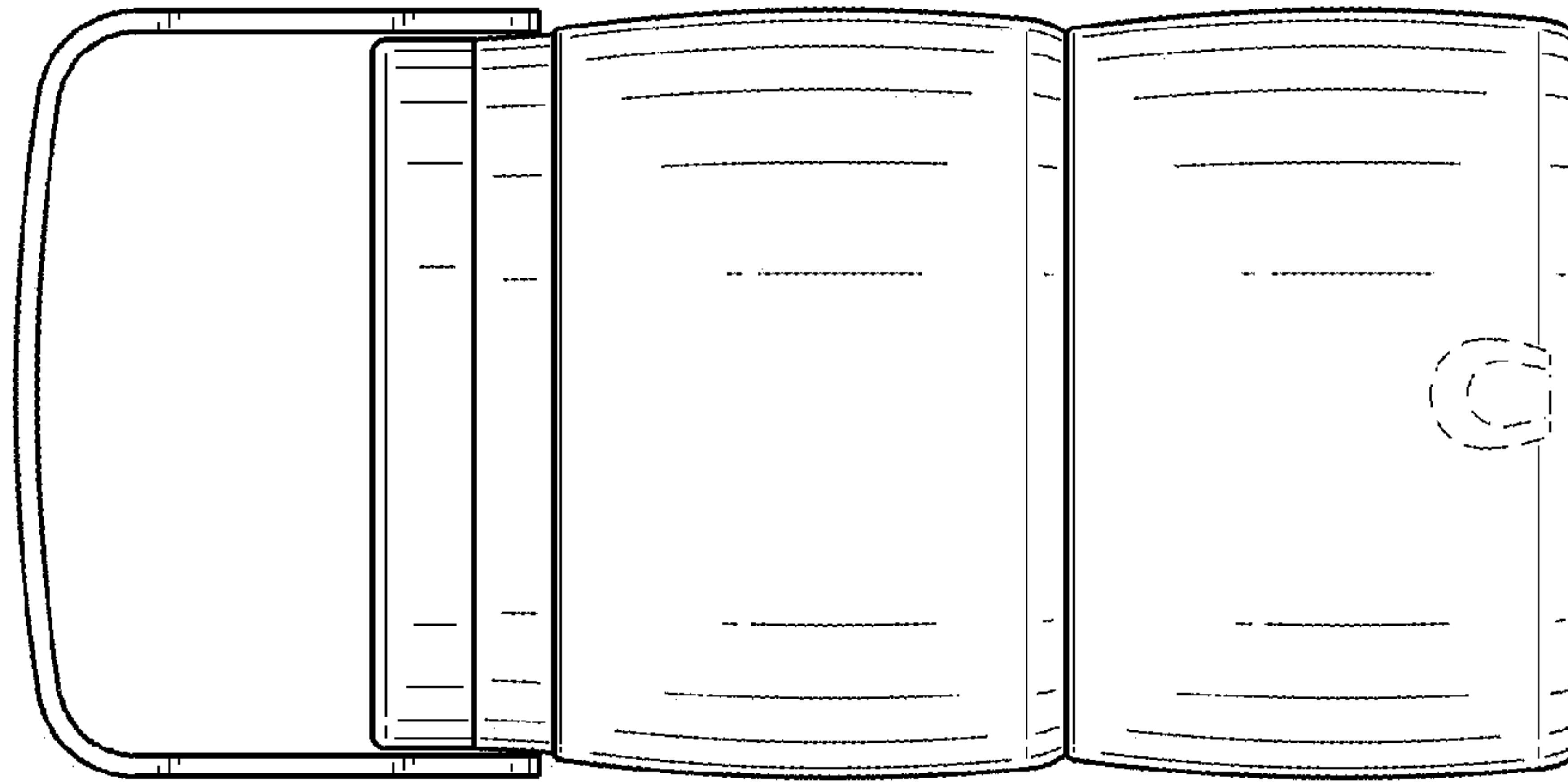


FIG. 2

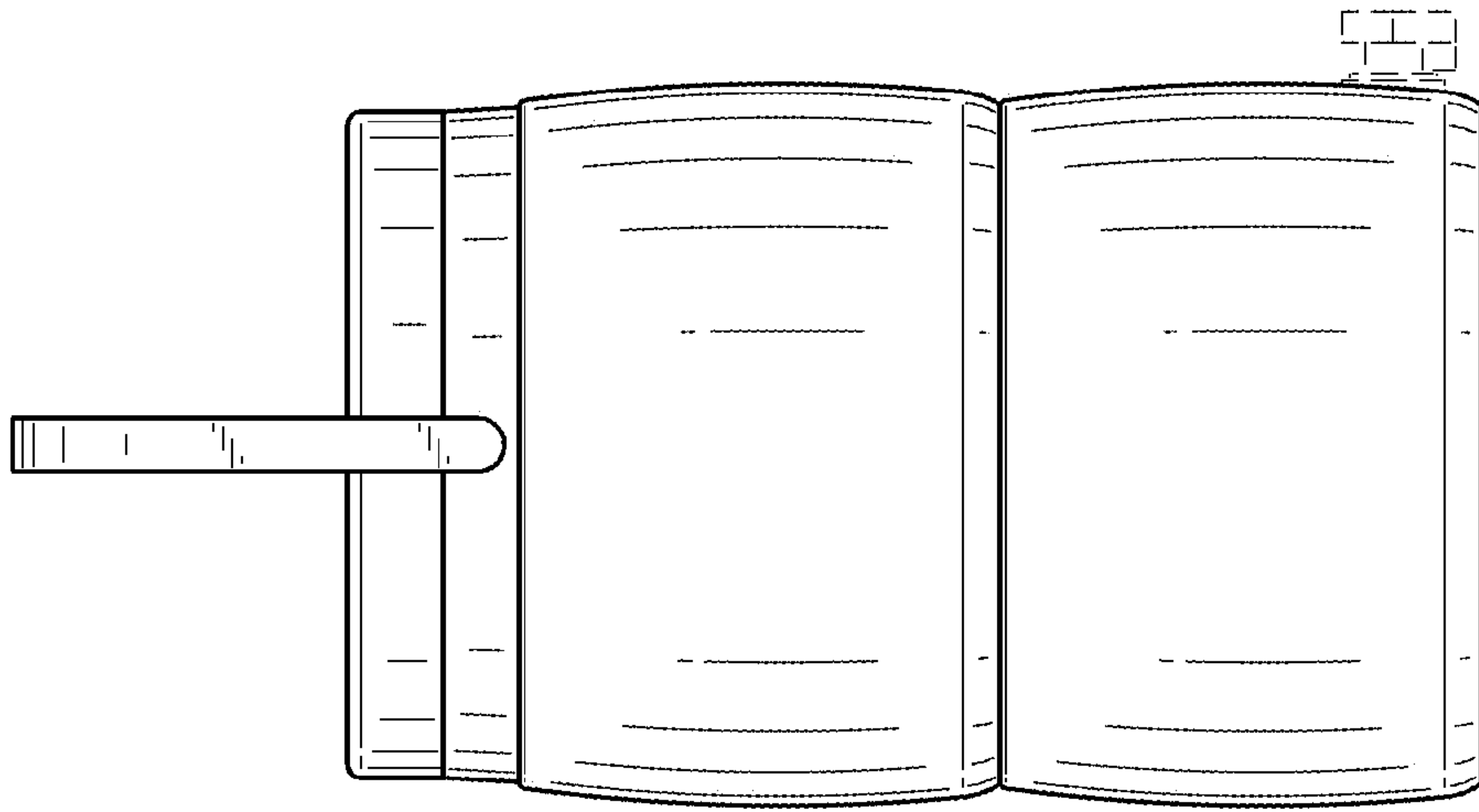


FIG. 4

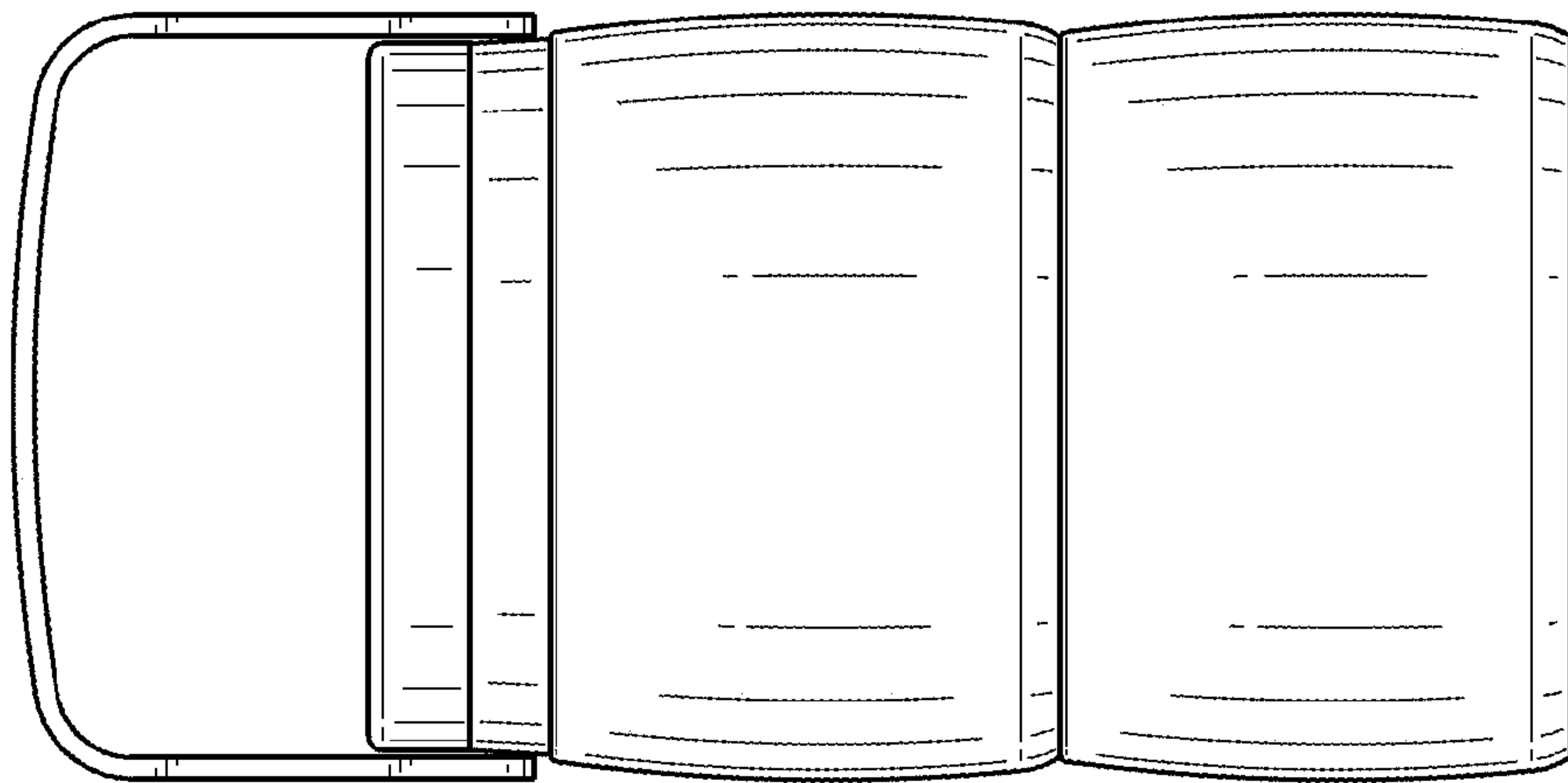


FIG. 3

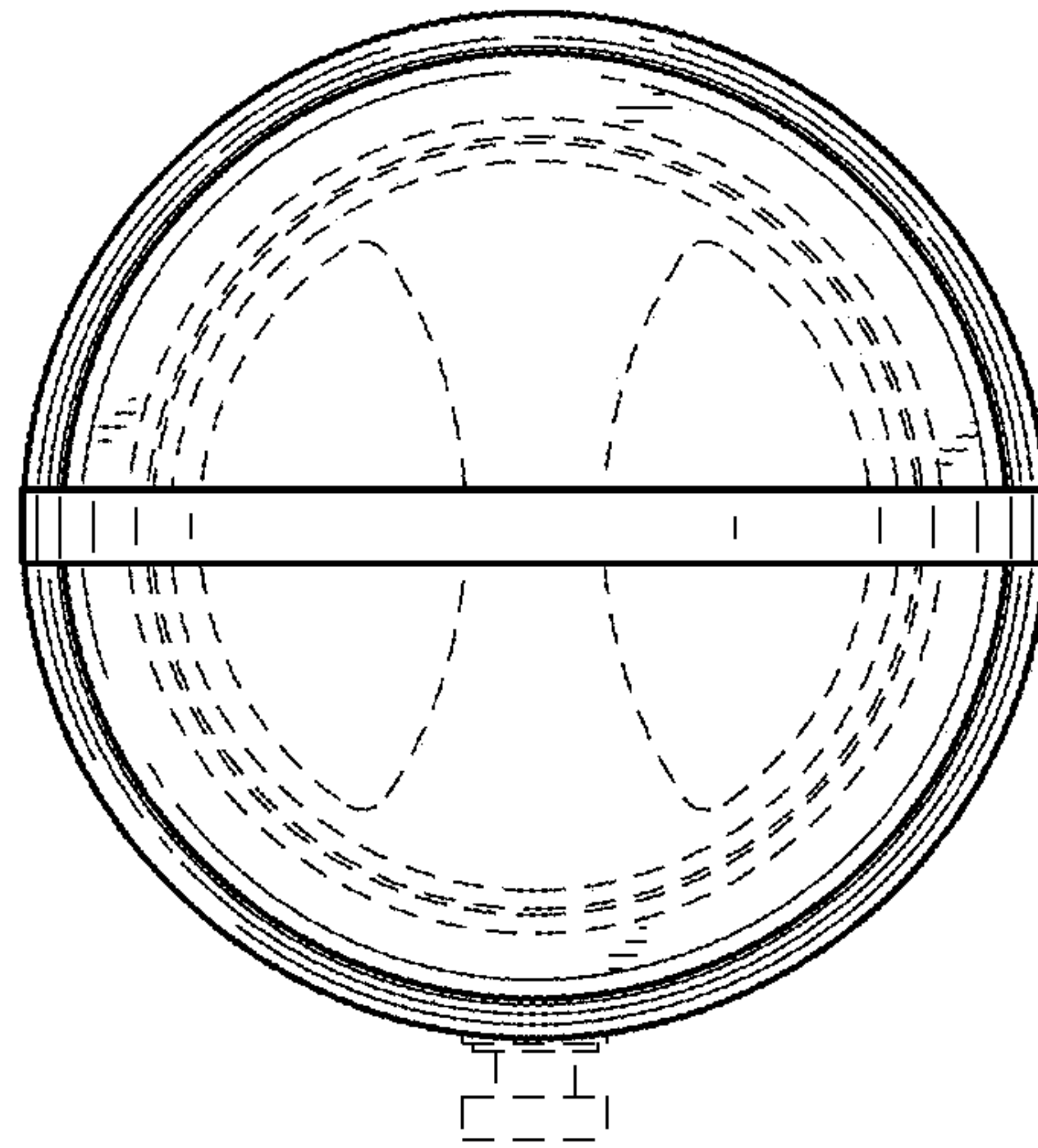


FIG. 5

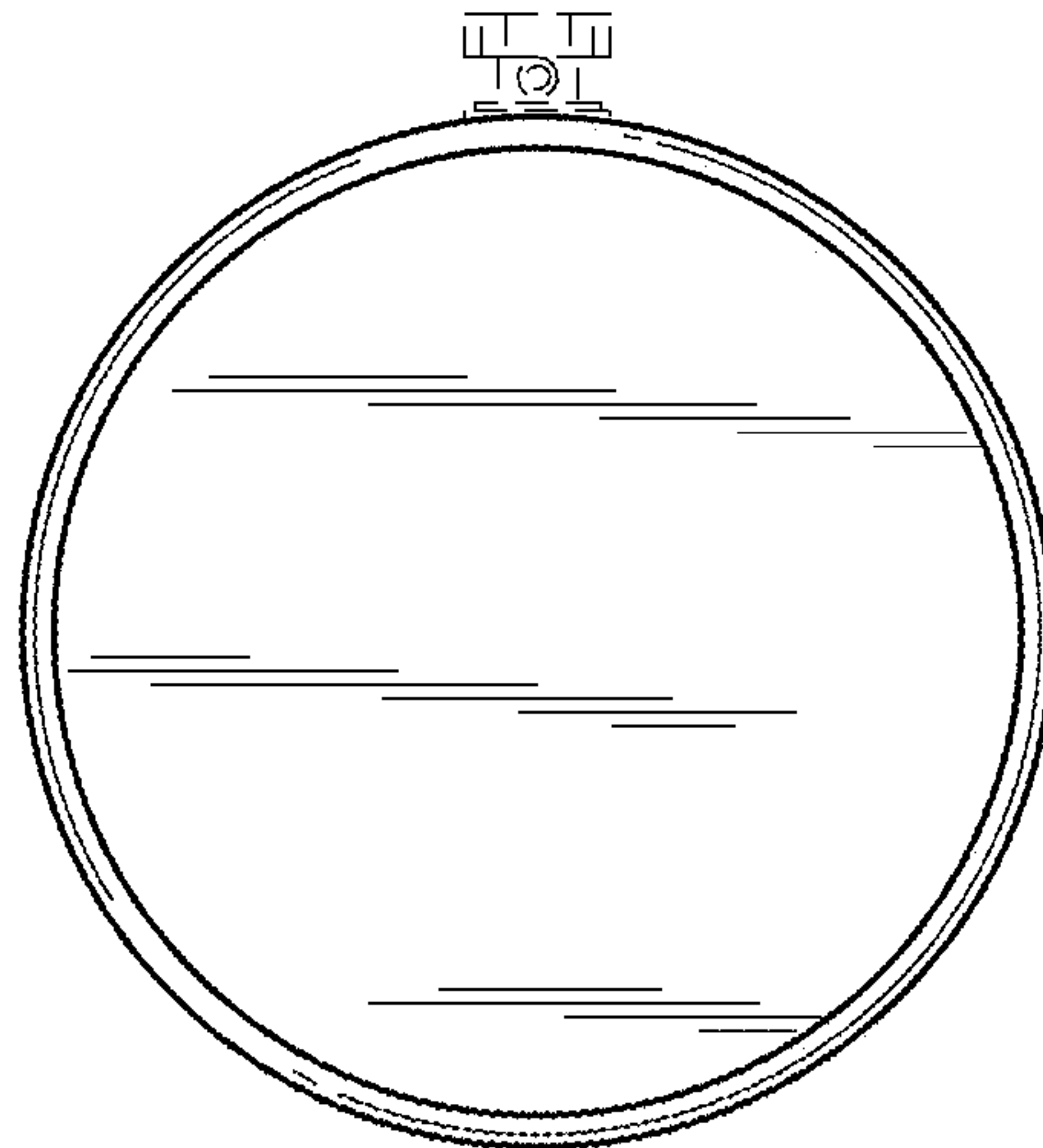


FIG. 6

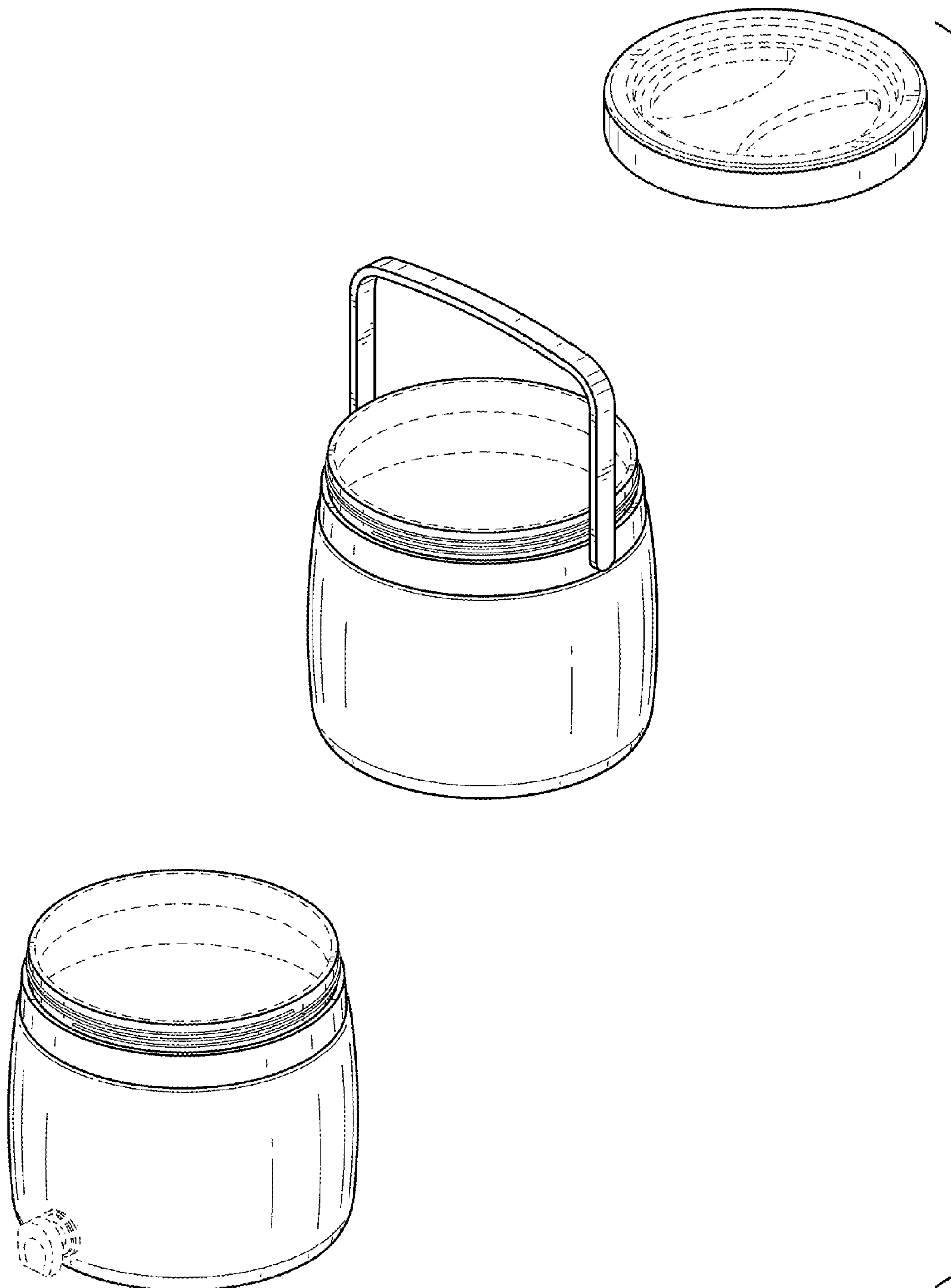


FIG. 7

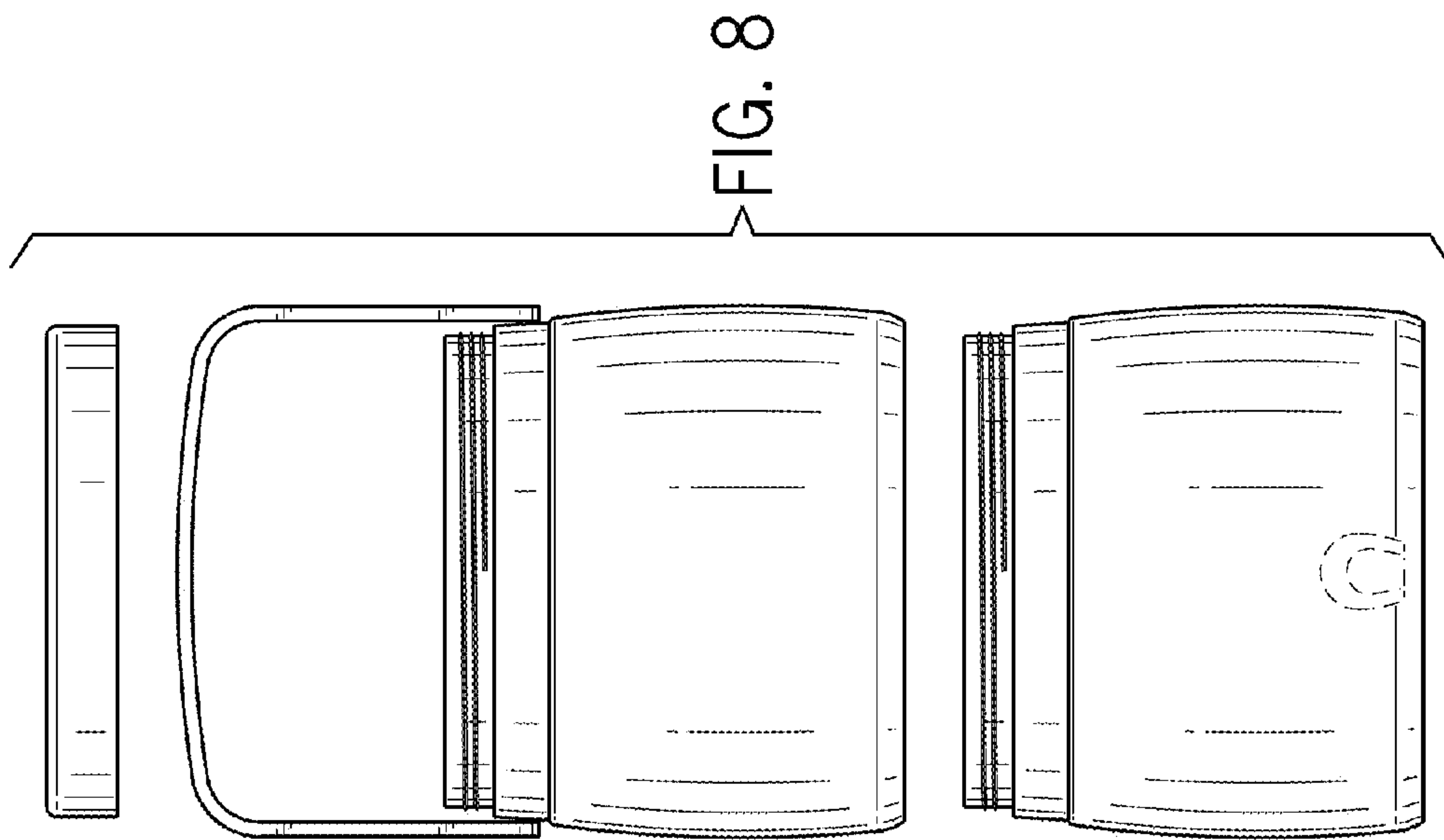
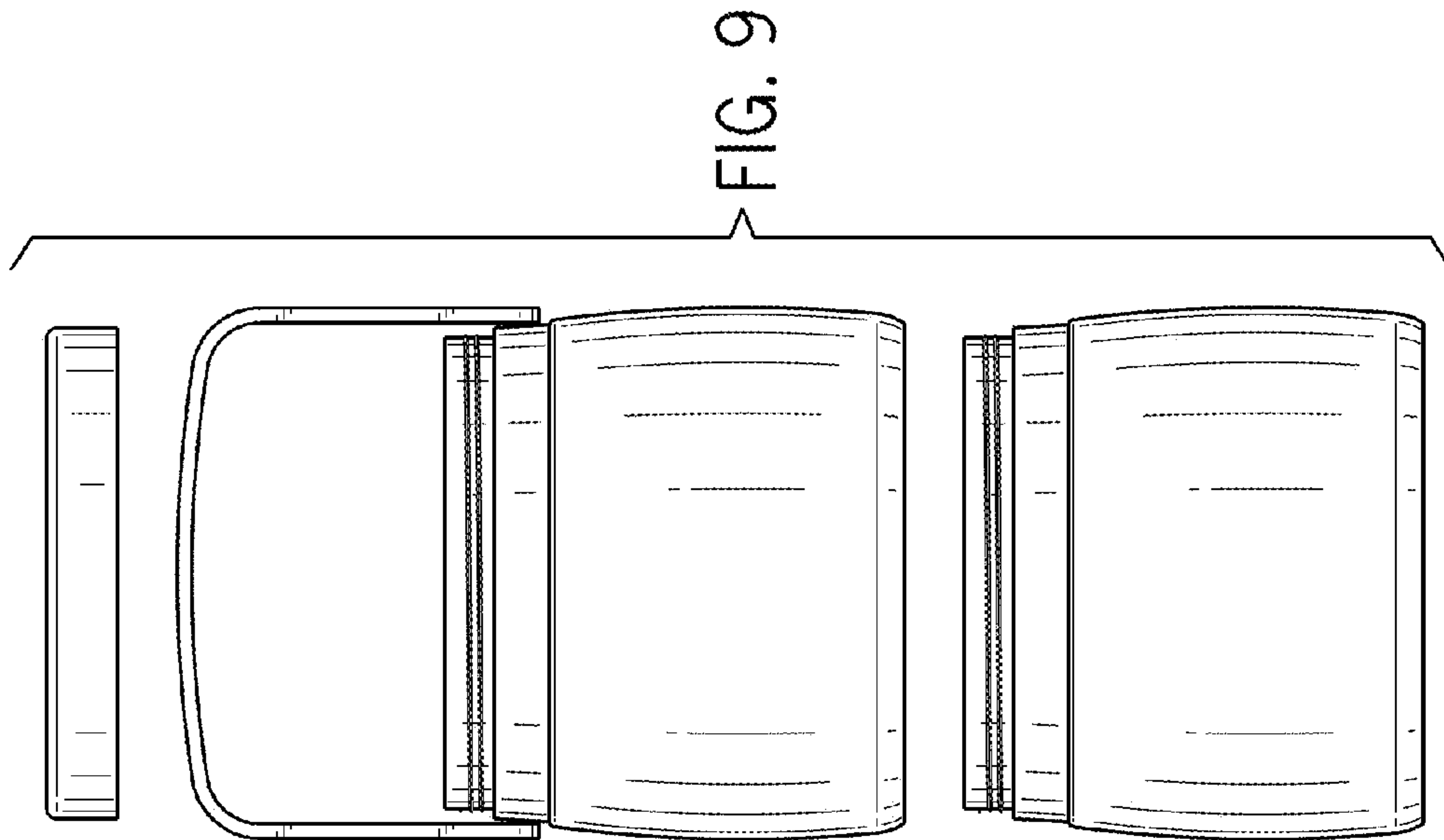


FIG. 10

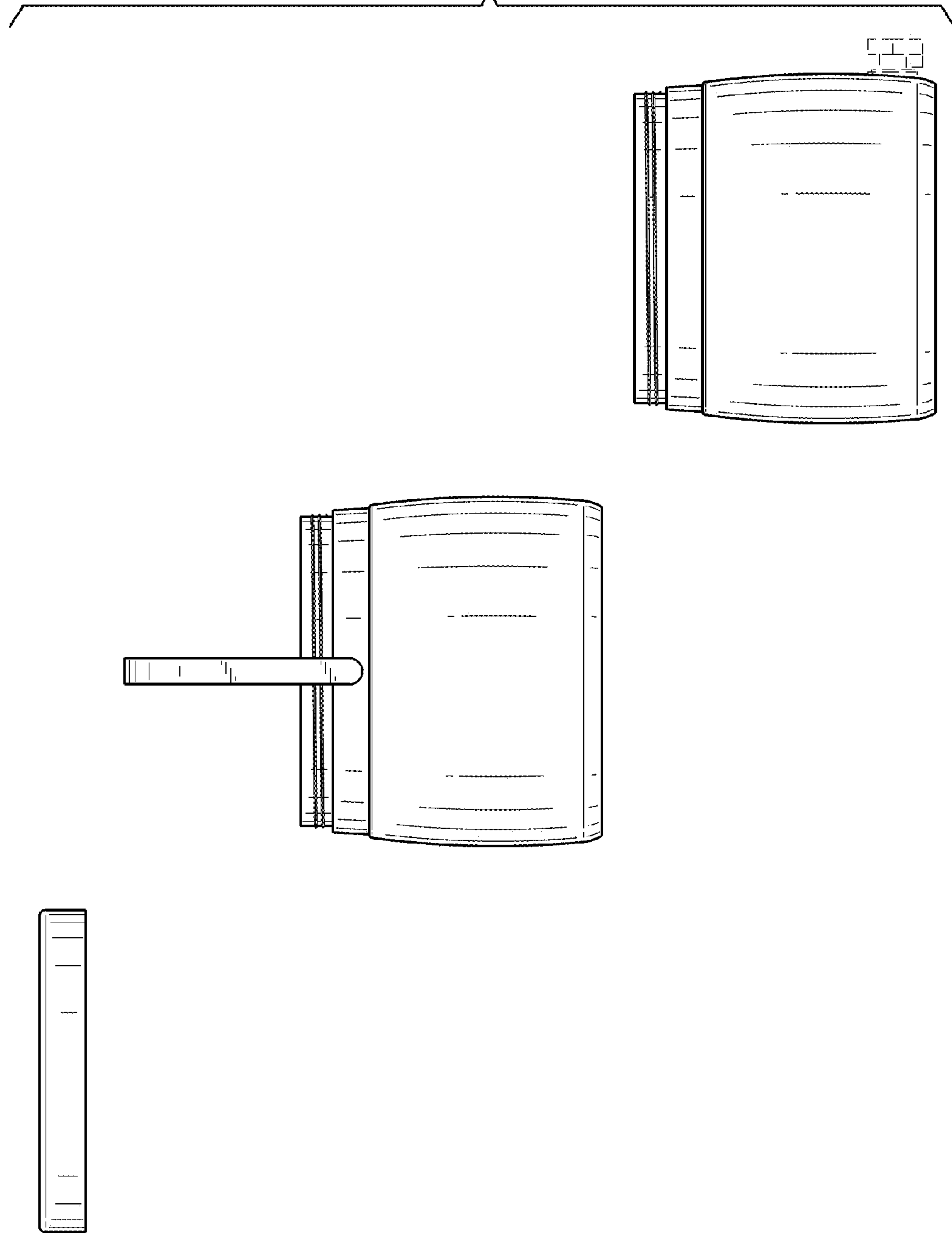
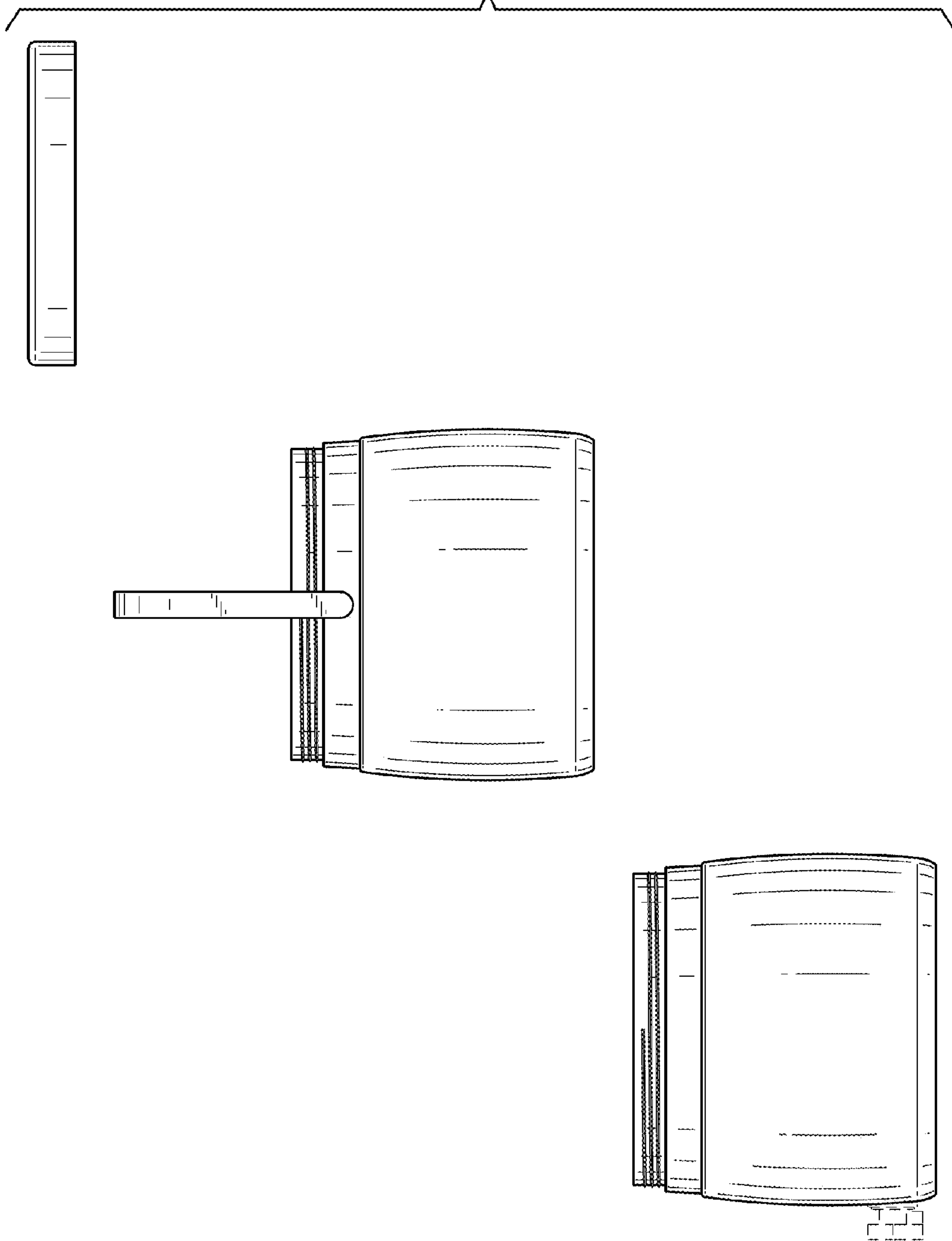


FIG. 11



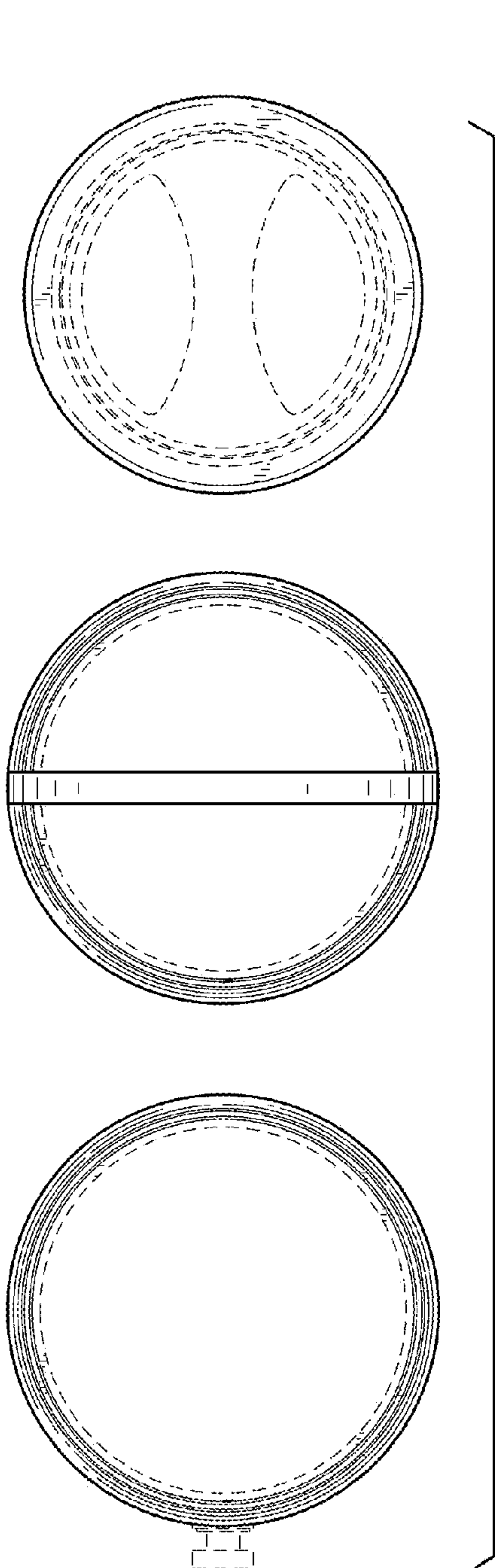


FIG. 12

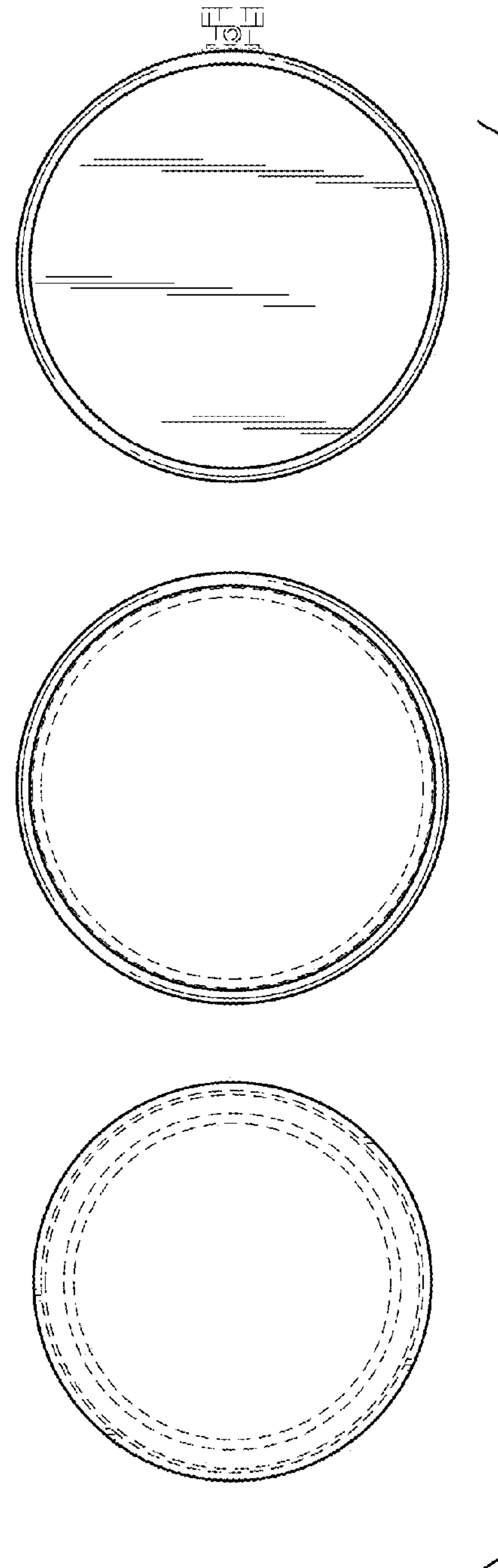


FIG. 13