



US00D76667S

(12) **United States Design Patent**
Turnbull

(10) **Patent No.:** **US D766,667 S**

(45) **Date of Patent:** **** Sep. 20, 2016**

- (54) **COOLER SHELF**
- (71) Applicant: **DCCB Enterprises, LLC**, Winchendon, MA (US)
- (72) Inventor: **Brian K. Turnbull**, Winchendon, MA (US)
- (73) Assignee: **DCCB ENTERPRISES, LLC**, Winchendon, MA (US)

6,192,807 B1 * 2/2001 Mason B65D 19/0002
108/27
6,408,768 B1 * 6/2002 Giampavolo B65D 19/38
108/27
6,519,948 B2 2/2003 Zorn
6,691,884 B1 2/2004 Dwyer
7,313,927 B2 1/2008 Barker
7,896,451 B2 3/2011 Walsh
2010/0071395 A1 3/2010 Ledoux et al.
2012/0111238 A1 * 5/2012 Frankenberg B62B 5/0093
108/57.25
2012/0273505 A1 11/2012 Bose

OTHER PUBLICATIONS

“Cooler Shelf”, www.christarsnet.com, <http://www.christarsnet.com> (Accessed: Sep. 23, 2013).
 “Pelican ProGear Elite Cooler Dry Rack Basket (Small)”, www.pelicanprogear.com, <http://www.pelicanprogear.com/product/Pelican-ProGear-Elite-Cooler-Dry-Rack-Basket-Small/cooler%20accessories> (Accessed: Sep. 23, 2013).
 “How to Use an Ice Box or Cooler for Food Storage”, www.theboatgalley.com, <http://www.theboatgalley.com/ice-box-cooler-food-storage/> (Accessed: Sep. 23, 2013).
 “How to Keep Your Food Dry in a Cooler While Camping”, www.gurutotheoutdoors.com, <http://www.gurutotheoutdoors.com/dry-food/> (Accessed: Sep. 25, 2013).

* cited by examiner

Primary Examiner — Freda S Nunn
 (74) *Attorney, Agent, or Firm* — Barlow, Josephs & Holmes, Ltd.

(57) **CLAIM**
 The ornamental design for a cooler shelf, as shown and described.

DESCRIPTION

FIG. 1 is a front perspective view of the cooler shelf in accordance with the present invention;
 FIG. 2 is a top view thereof;
 FIG. 3 is a bottom view thereof;
 FIG. 4 is a front view thereof;
 FIG. 5 is a back view thereof;
 FIG. 6 is a left side view thereof;
 FIG. 7 is a right side view thereof;
 FIG. 8 is top perspective view with the parts exploded; and,
 FIG. 9 is a bottom perspective view with the parts exploded.

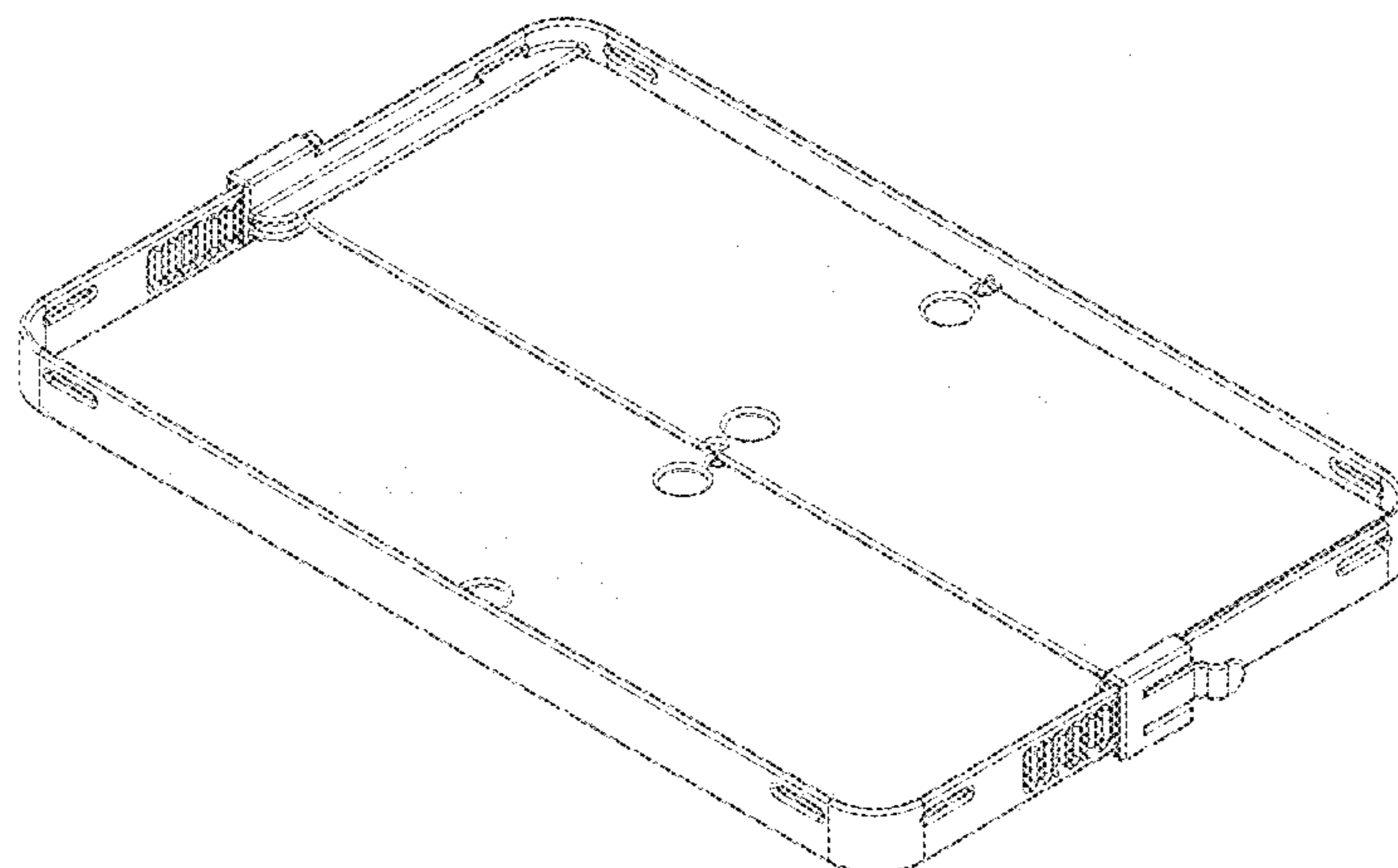
1 Claim, 9 Drawing Sheets

- (**) Term: **14 Years**
- (21) Appl. No.: **29/516,963**
- (22) Filed: **Feb. 9, 2015**
- (51) **LOC (10) Cl.** **07-01**
- (52) **U.S. Cl.**
USPC **D7/605**
- (58) **Field of Classification Search**
USPC D7/602–608, 619.1, 619.2, 629, 630
CPC A45C 11/20; A47B 77/08; B65D 8/18;
B65D 5/48; B65D 21/00; B65D 21/08;
B65D 6/16; B65D 21/083; B65D 81/38;
B65D 81/3816; B65B 63/08; F25D 3/08;
F25D 27/00; F25D 3/06; H05B 3/06
See application file for complete search history.

(56) **References Cited**

U.S. PATENT DOCUMENTS

- 4,565,074 A 1/1986 Morgan
- 4,916,923 A 4/1990 Adams et al.
- 4,964,528 A 10/1990 Wagoner
- 5,052,185 A 10/1991 Spahr
- 5,095,718 A 3/1992 Ormond et al.
- 5,605,056 A 2/1997 Brown et al.
- 5,613,447 A * 3/1997 Trickett B65D 19/36
108/56.1
- 6,003,706 A * 12/1999 Rosen B65D 81/3816
220/4.26



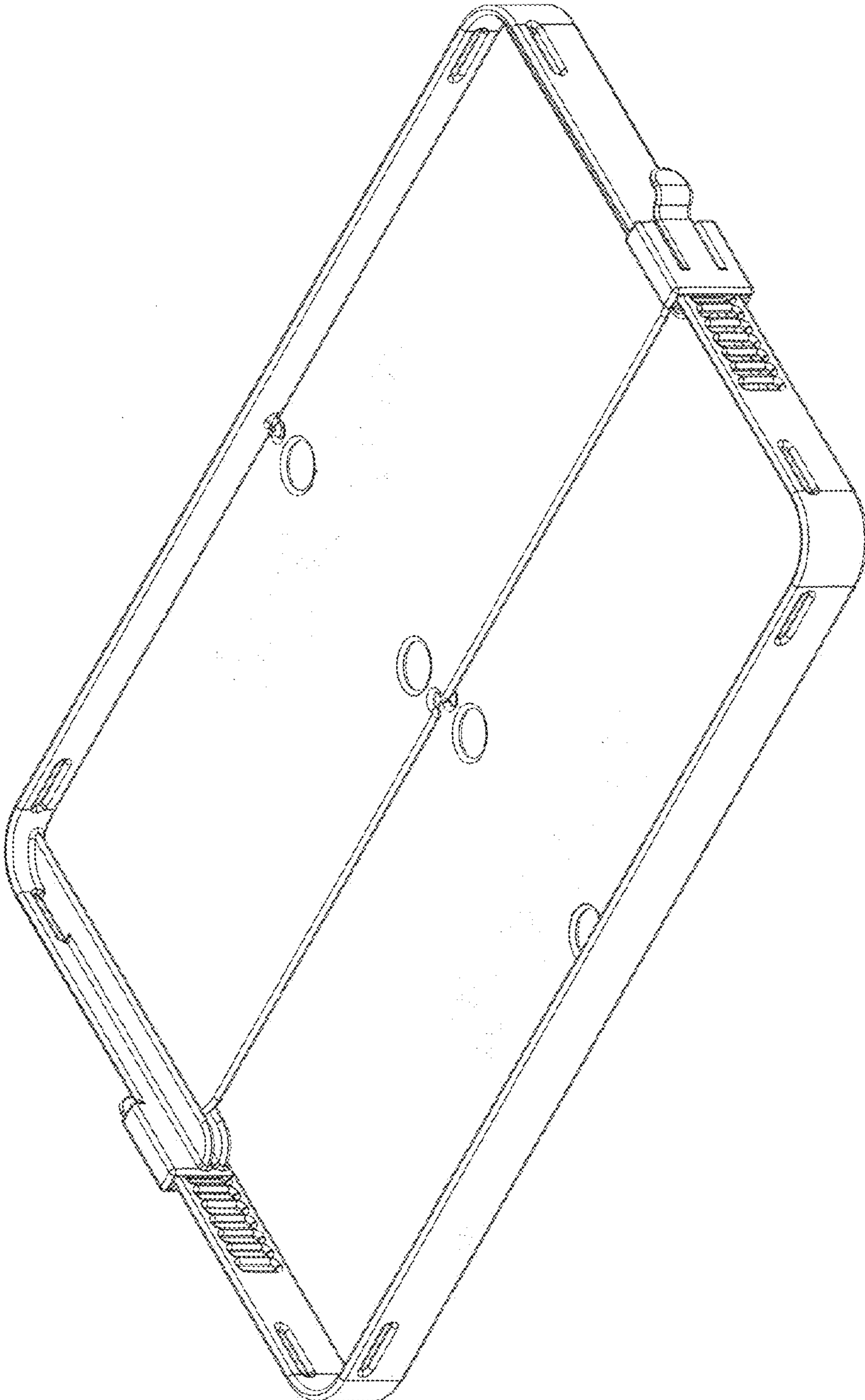


FIG. 1

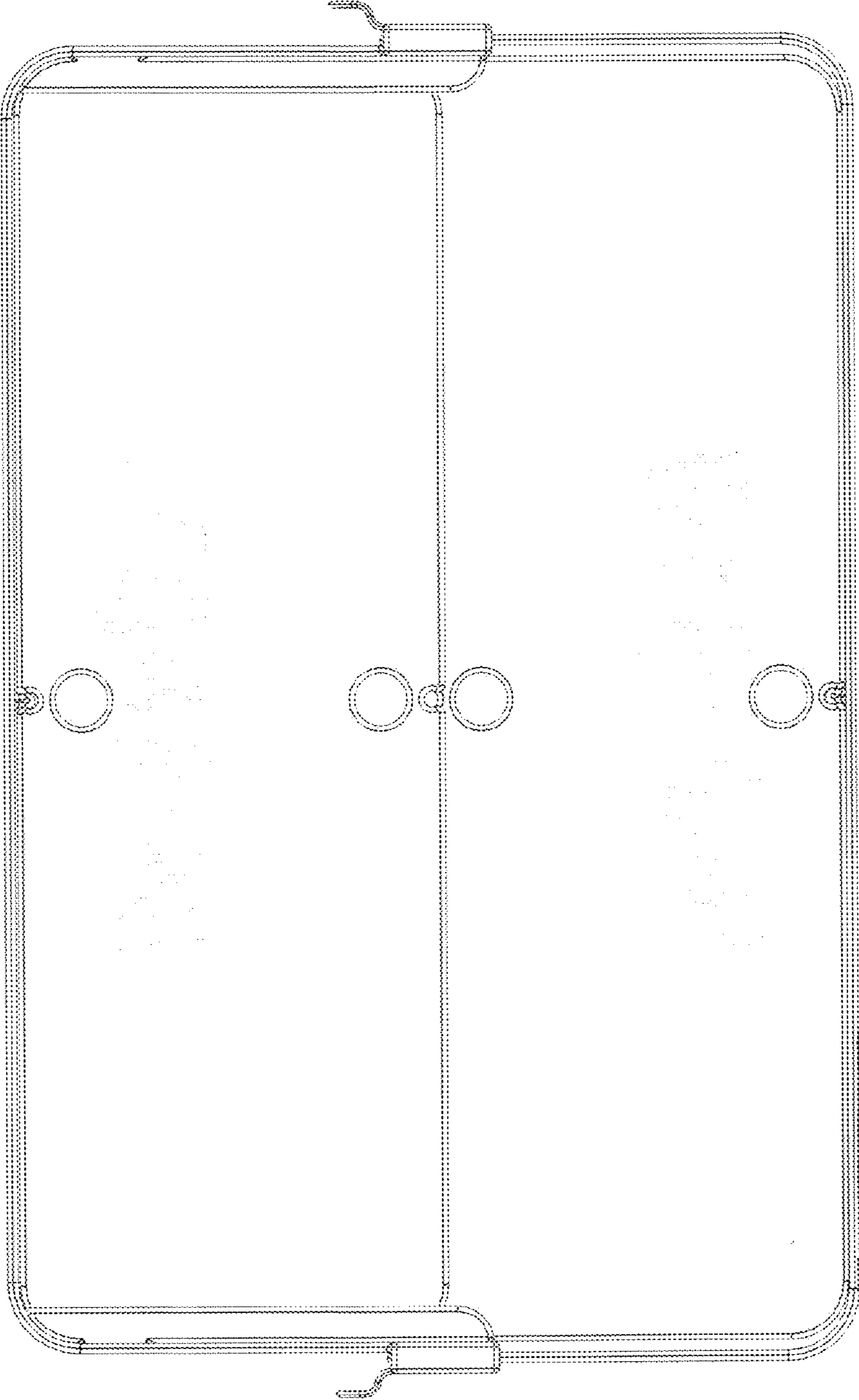


FIG. 2

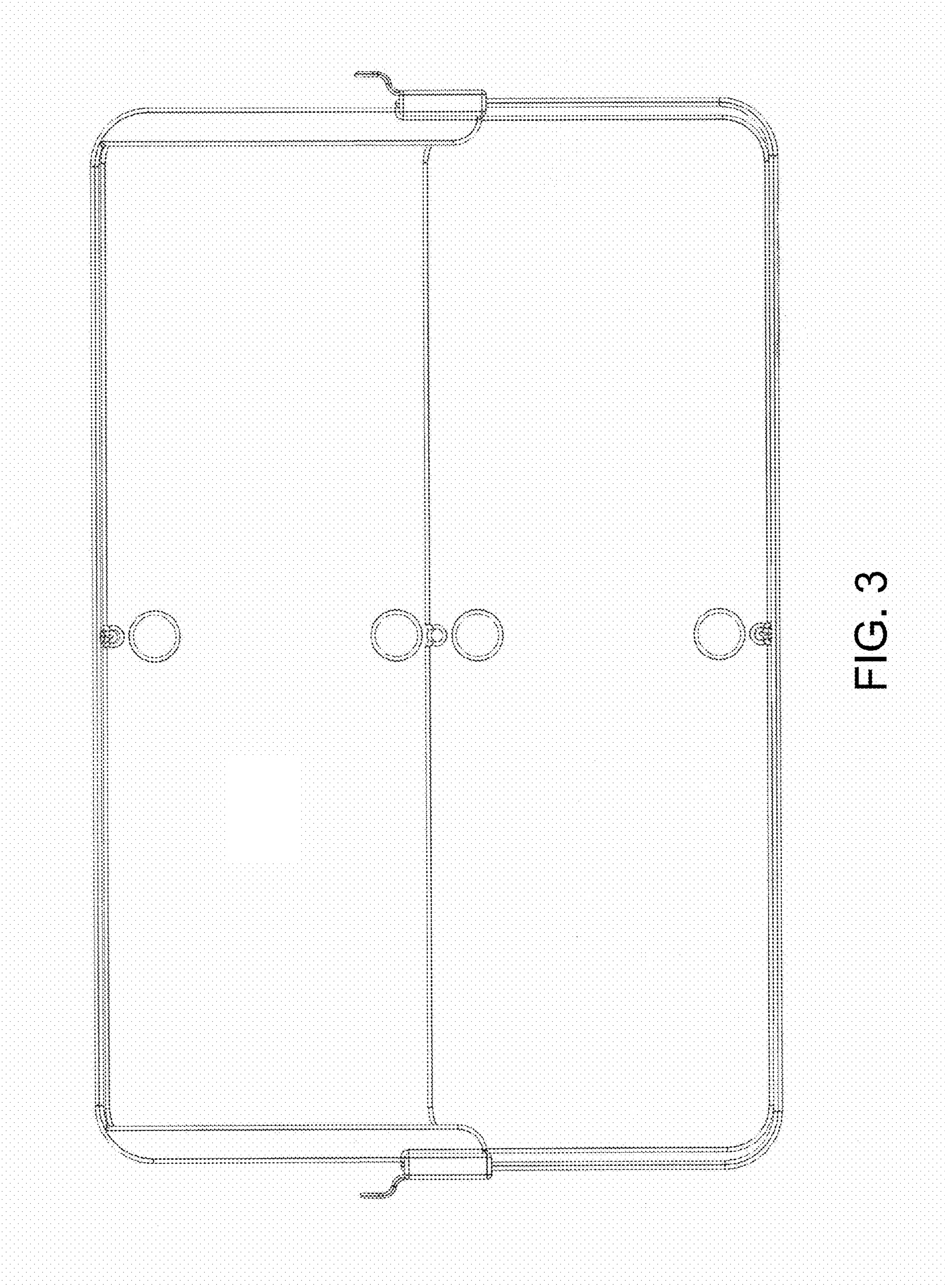


FIG. 3

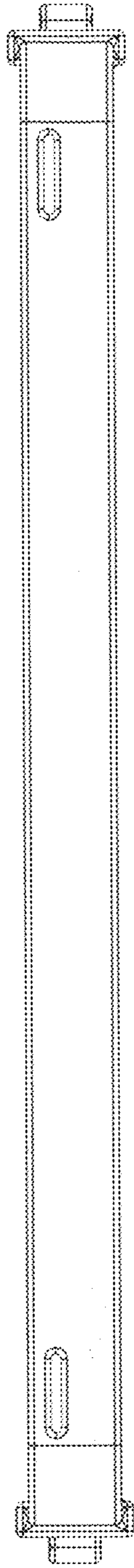


FIG. 4

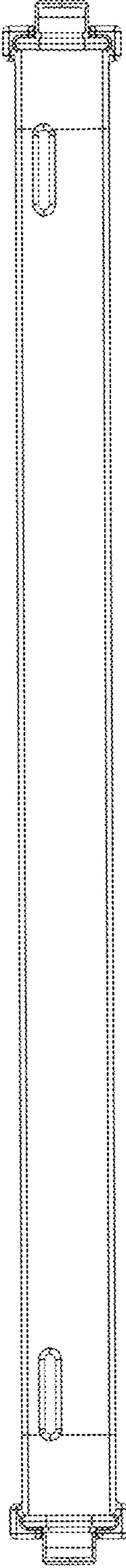


FIG. 5

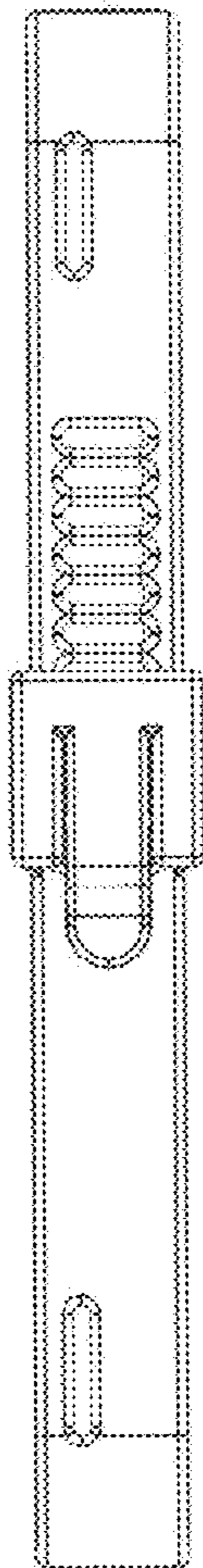


FIG. 6

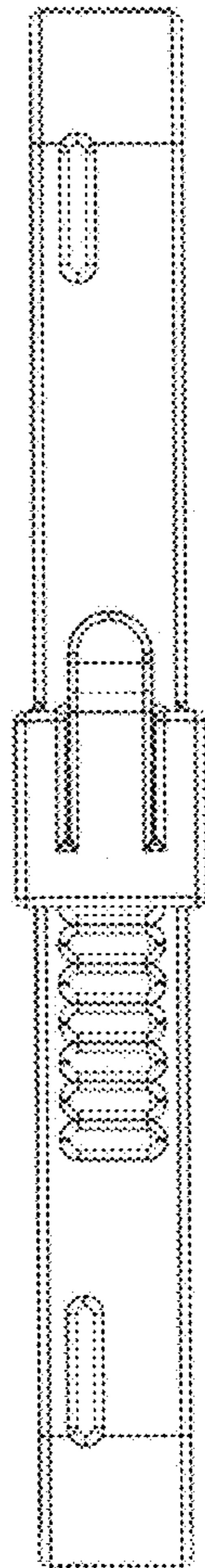


FIG. 7

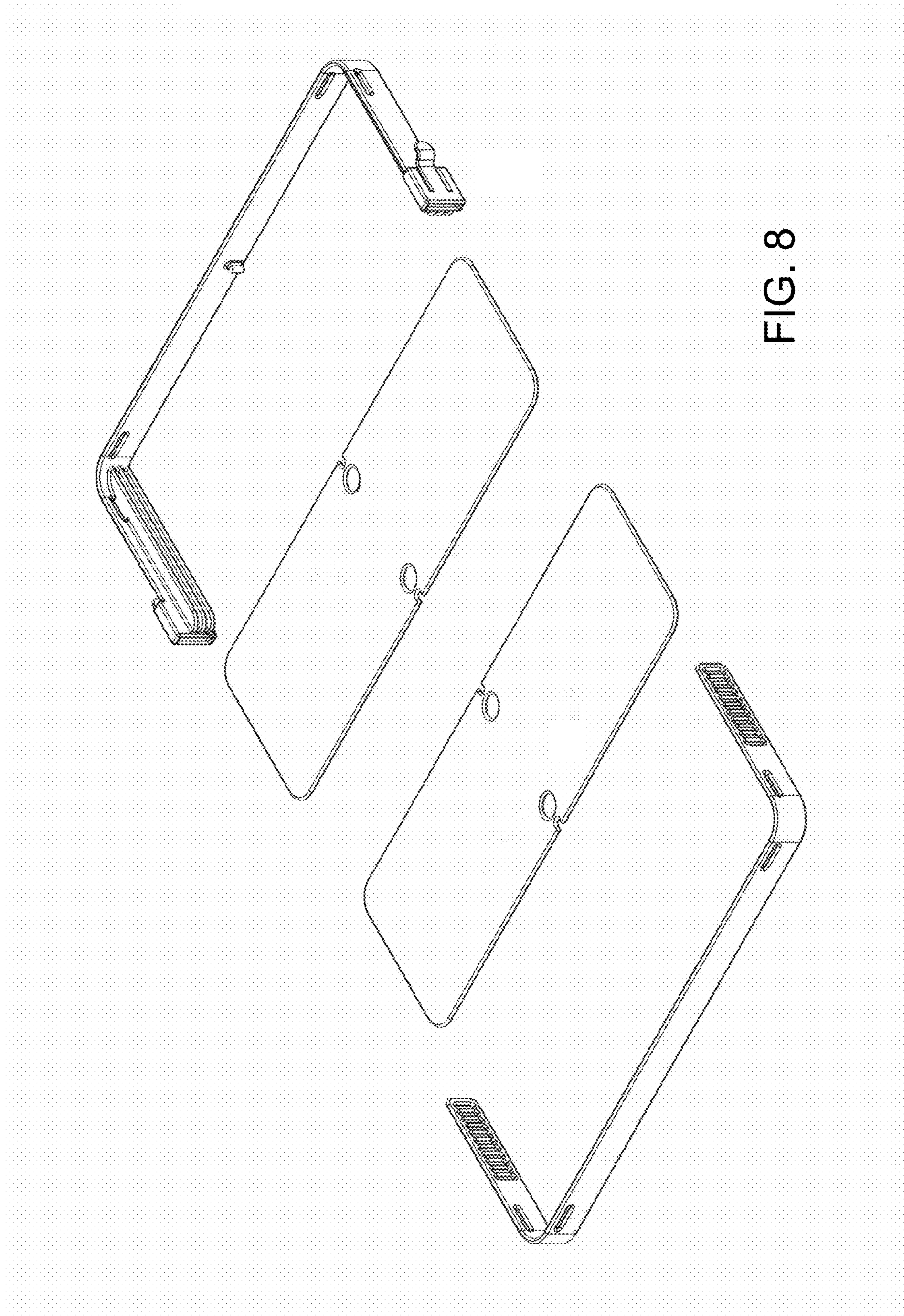


FIG. 8

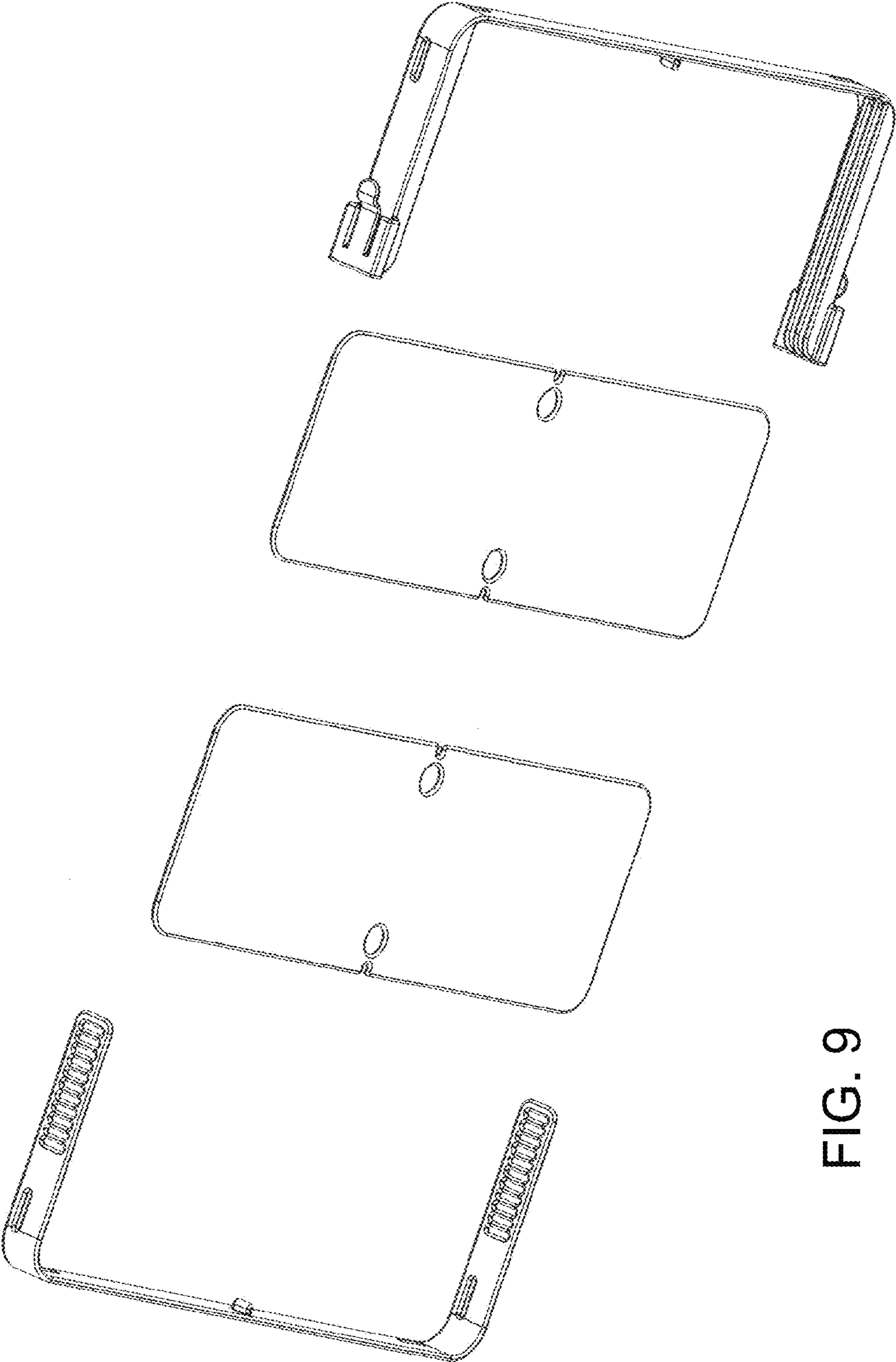


FIG. 9