



US00D76666S

(12) **United States Design Patent**
Joseph

(10) **Patent No.:** **US D766,666 S**

(45) **Date of Patent:** **** Sep. 20, 2016**

(54) **FRUIT HOLDER**

D365,249 S * 12/1995 Reisman D7/601
5,826,843 A * 10/1998 Sturm A47F 7/0071
211/13.1
D548,533 S * 8/2007 Joseph D7/601

(71) Applicant: **Rony Koshy Joseph**, West Lafayette,
IN (US)

* cited by examiner

(72) Inventor: **Rony Koshy Joseph**, West Lafayette,
IN (US)

Primary Examiner — Terry Wallace

(**) Term: **14 Years**

(57) **CLAIM**

(21) Appl. No.: **29/518,041**

The ornamental design for a fruit holder, as shown and described.

(22) Filed: **Feb. 23, 2015**

DESCRIPTION

(51) **LOC (10) Cl.** **07-01**

(52) **U.S. Cl.**
USPC **D7/601**

(58) **Field of Classification Search**
USPC D7/601, 368, 387, 50, 550.1, 552.2,
D7/554.3, 584, 586, 587
CPC A47F 7/0071; A47F 7/00
See application file for complete search history.

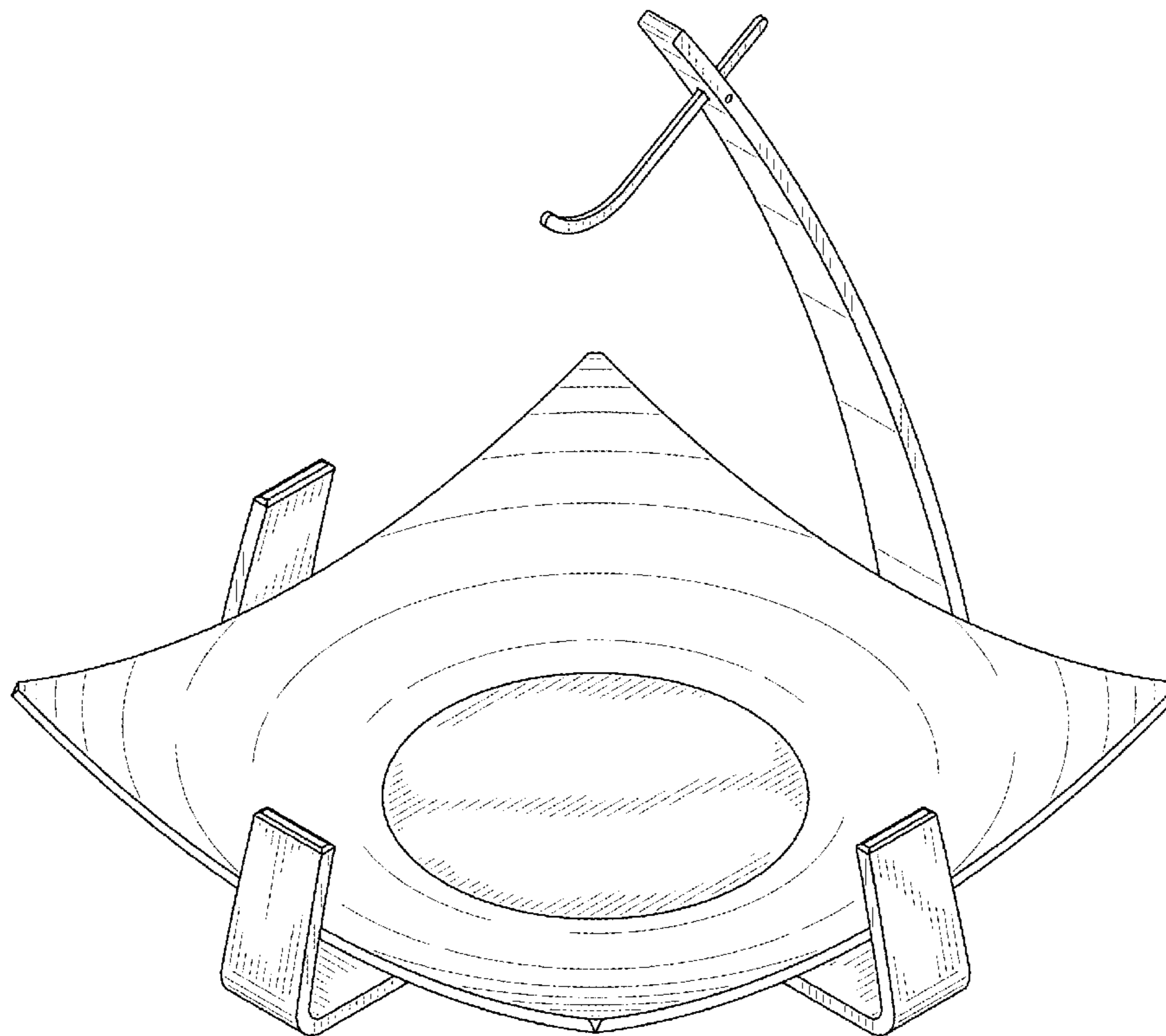
FIG. 1 is a front perspective view of the fruit holder showing my new design;
FIG. 2 is a front elevation view thereof;
FIG. 3 is a rear elevation view thereof;
FIG. 4 is a left side elevation view thereof and it is a mirror image of the right side elevation view thereof;
FIG. 5 is a top plan view thereof; and,
FIG. 6 is a bottom plan view thereof.
The invention is a device for holding or hanging various fruits and vegetables.

(56) **References Cited**

U.S. PATENT DOCUMENTS

D357,372 S * 4/1995 McArdle D7/601

1 Claim, 6 Drawing Sheets



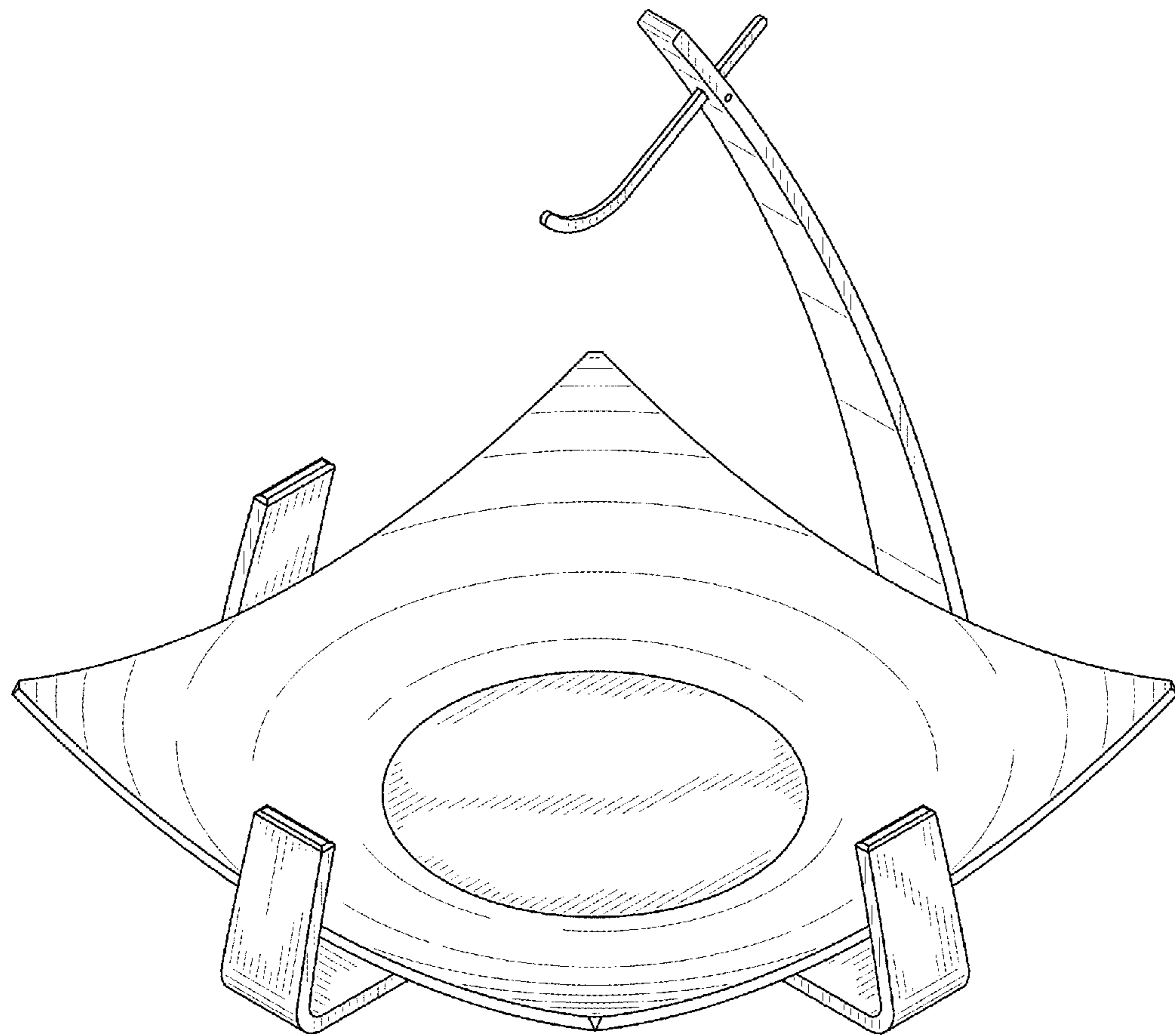


FIG. 1

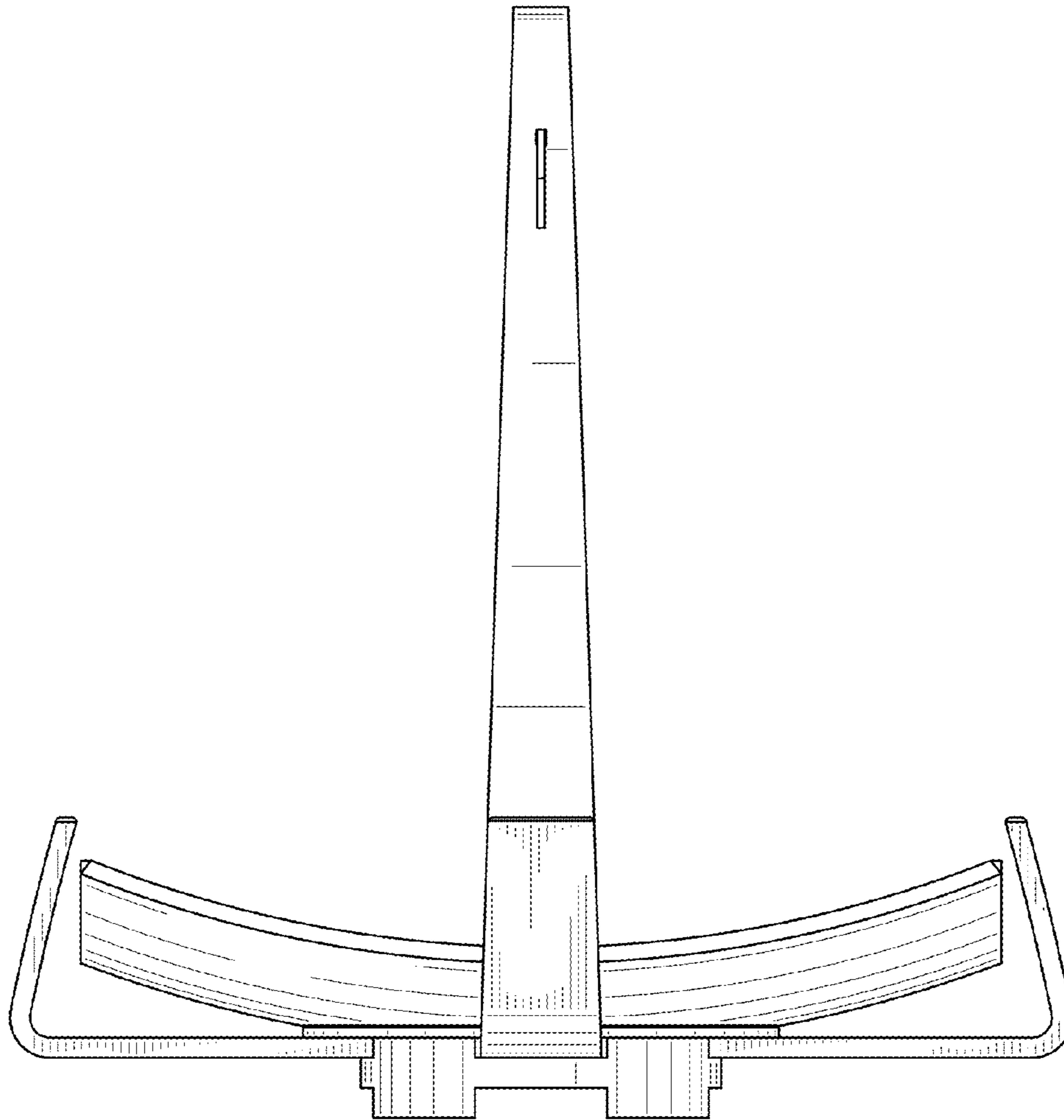


FIG. 2

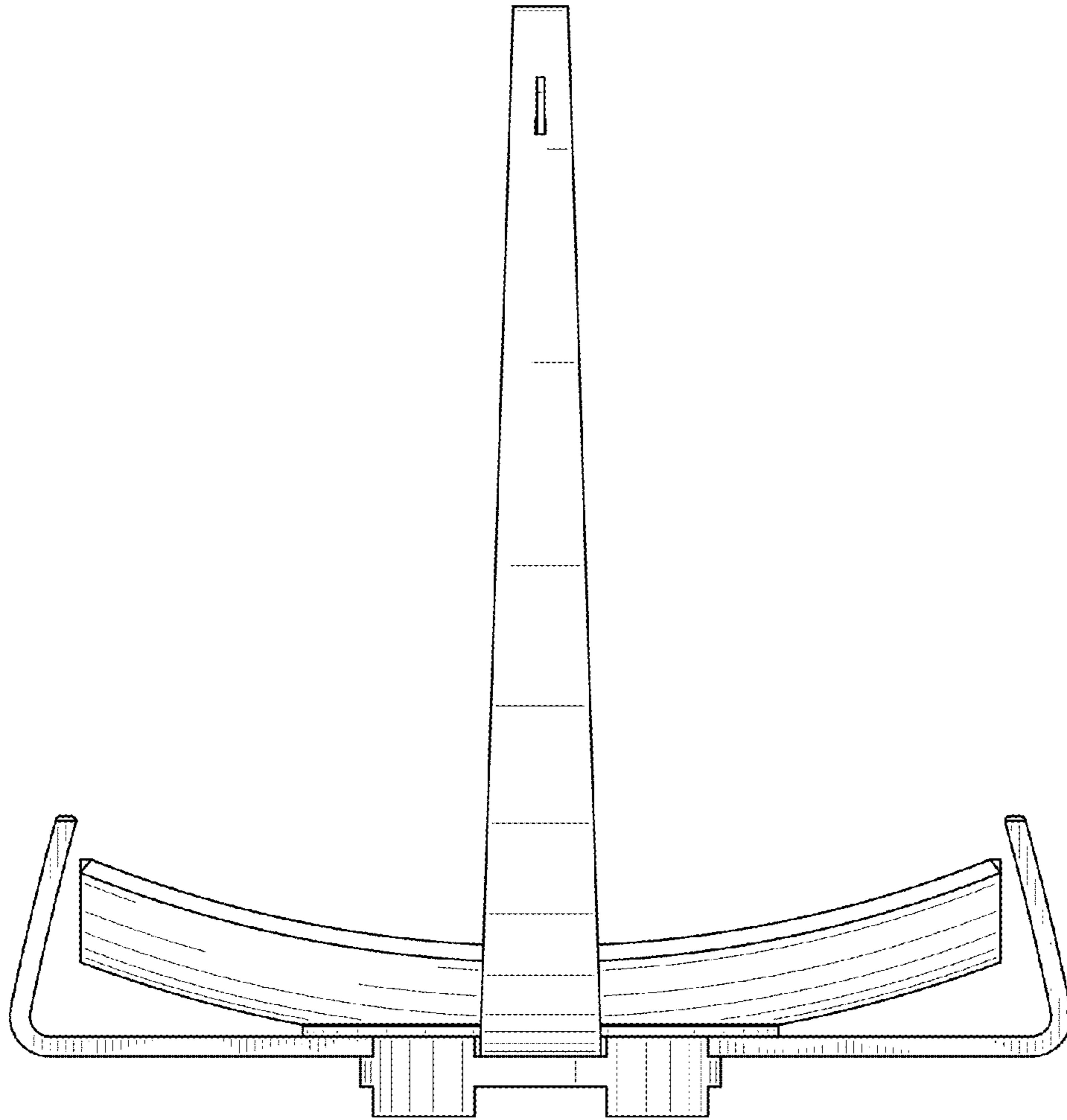


FIG. 3

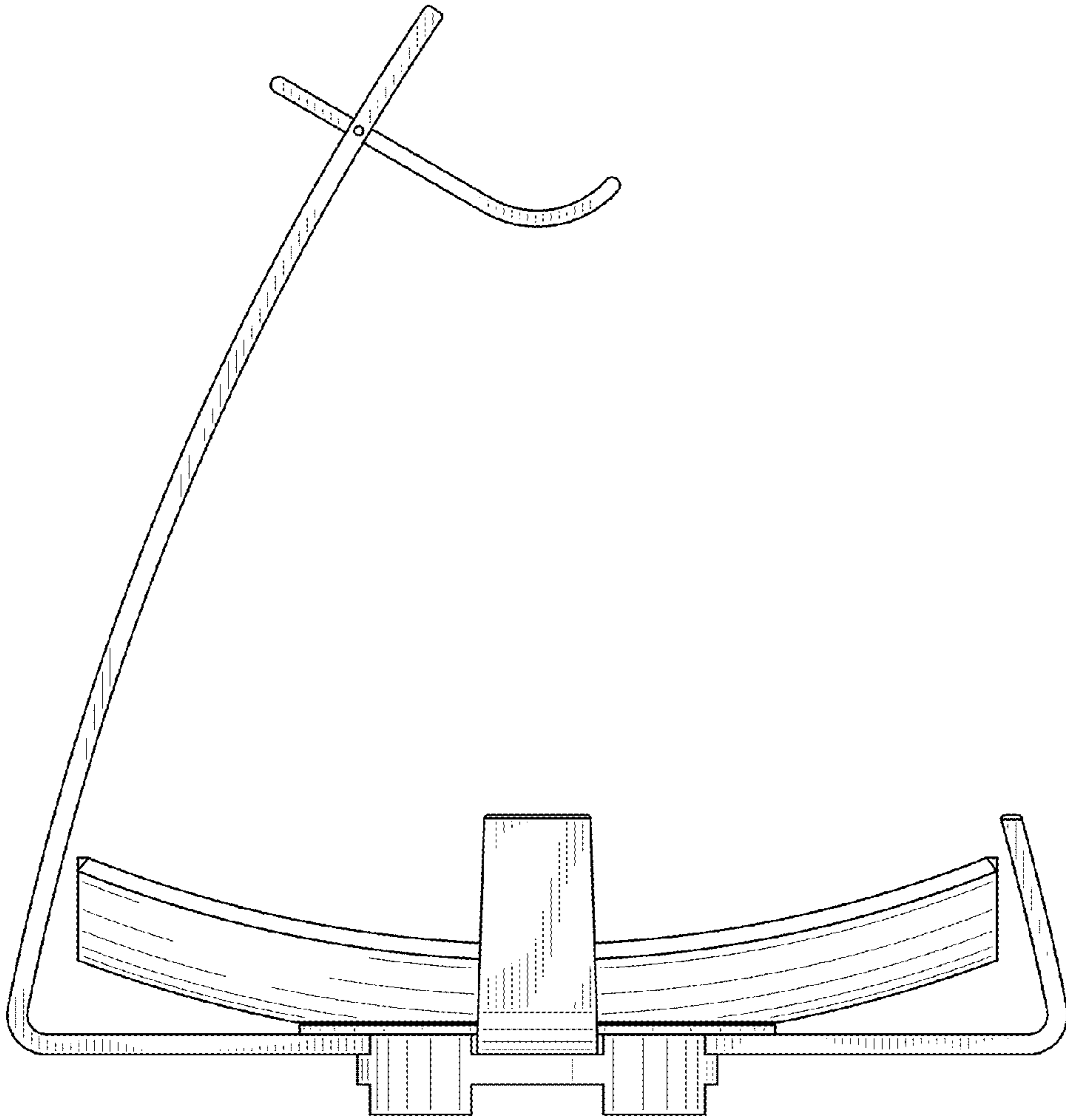


FIG. 4

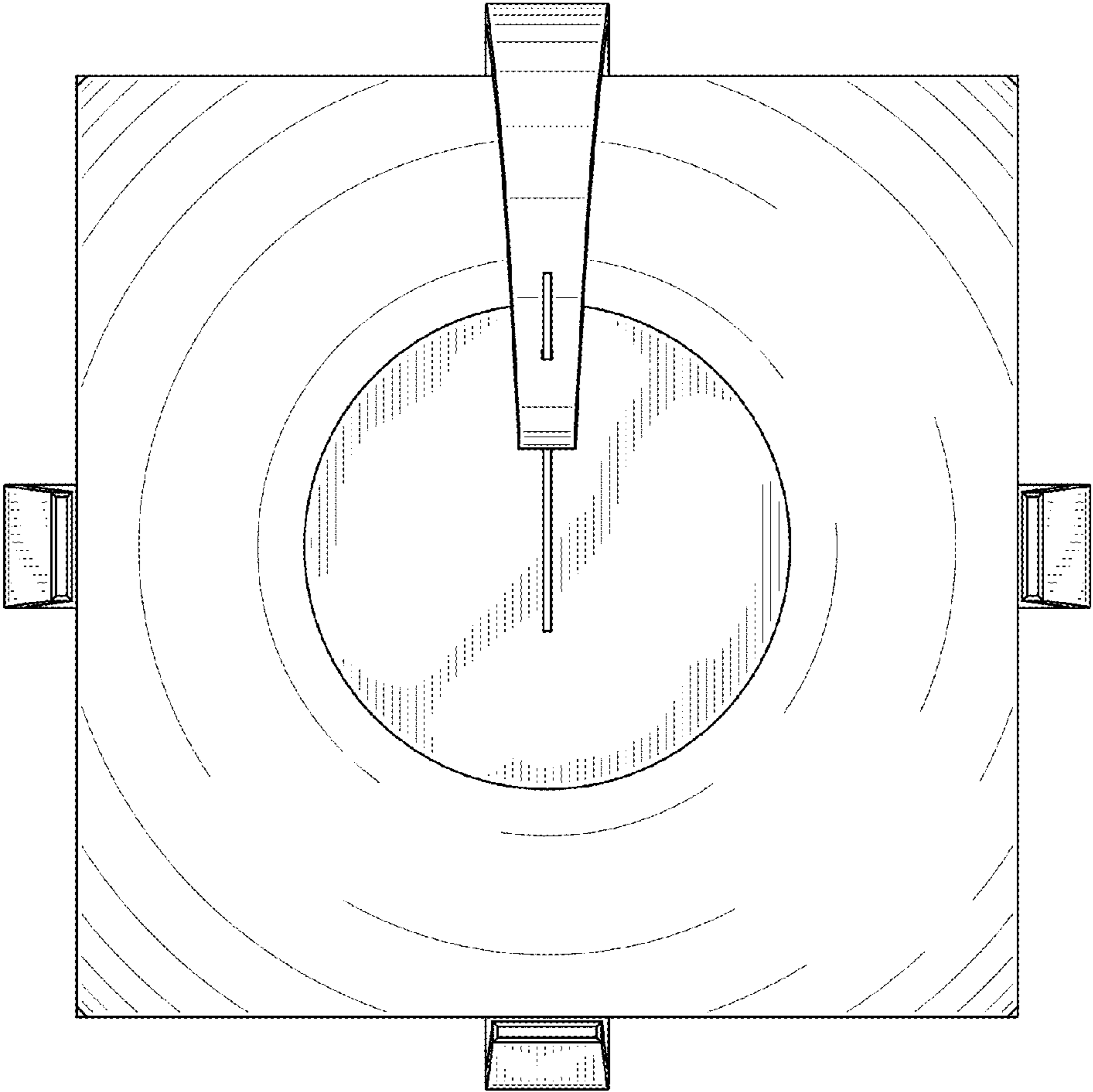


FIG. 5

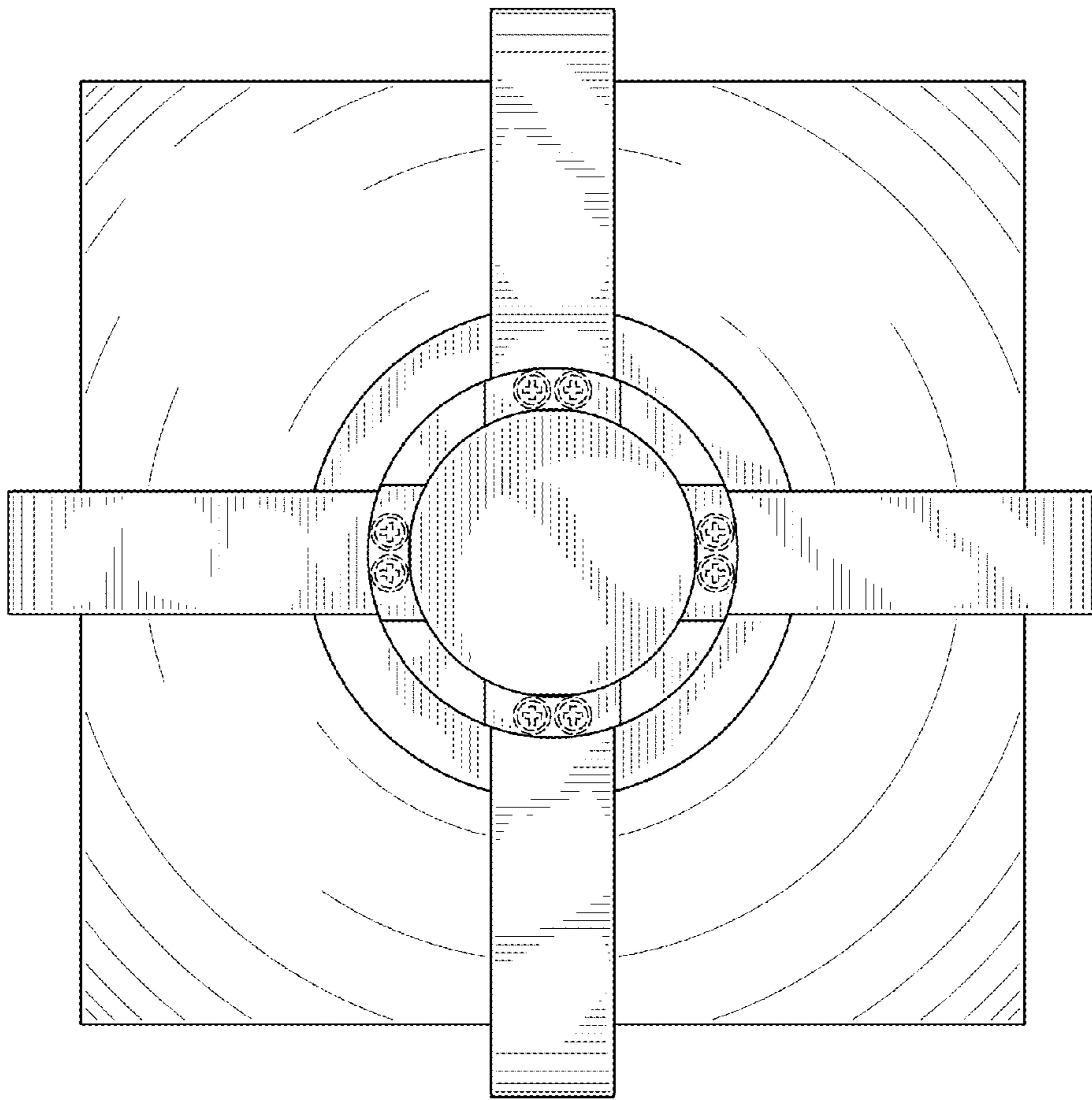


FIG. 6