



US00D76665S

(12) **United States Design Patent**
Shames

(10) **Patent No.:** **US D766,665 S**

(45) **Date of Patent:** **** *Sep. 20, 2016**

- (54) **SERVING TRAY**
- (71) Applicant: **Lisa Shames**, Thousand Oaks, CA (US)
- (72) Inventor: **Lisa Shames**, Thousand Oaks, CA (US)
- (*) Notice: This patent is subject to a terminal disclaimer.
- (**) Term: **14 Years**
- (21) Appl. No.: **29/485,379**
- (22) Filed: **Mar. 18, 2014**

6,964,443 B1 * 11/2005 Newton A47G 23/0208
206/217

7,334,908 B1 2/2008 Figueroa
D563,726 S 3/2008 Fraser
D575,600 S * 8/2008 Mayer D7/553.1

(Continued)

FOREIGN PATENT DOCUMENTS

CA 2136485 5/1996

Primary Examiner — Kelley Donnelly

(74) *Attorney, Agent, or Firm* — Koppel, Patrick, Heybl & Philpott

(57) **CLAIM**

The ornamental design for a serving tray, as shown and described herein.

DESCRIPTION

FIG. 1 is a top, front, right side perspective view of a serving tray incorporating features of the present invention; FIG. 2 is a top plan view of the serving tray shown in FIG. 1; FIG. 3 is a bottom plan view of the serving tray shown in FIG. 1; FIG. 4 is a front elevation view of the serving tray shown in FIG. 1; FIG. 5 is a rear elevation view of the serving tray shown in FIG. 1; FIG. 6 is a left side elevation view of the serving tray shown in FIG. 1, the right side elevation view, not shown, is a mirror image; and, FIG. 7 is a top, front, right side perspective view of an alternative embodiment of a serving tray incorporating features of the present invention not comprising the top raised center portion. Additional views of the embodiment shown in FIG. 7 are not depicted herein as they are the same as the views depicted in FIGS. 3-6 above; The broken lines in FIG. 1 and FIG. 7 depict environmental subject matter only and form no part of the claimed design.

1 Claim, 4 Drawing Sheets

Related U.S. Application Data

(63) Continuation of application No. 29/467,647, filed on Sep. 20, 2013, now Pat. No. Des. 742,178.

(51) **LOC (10) Cl.** **07-01**

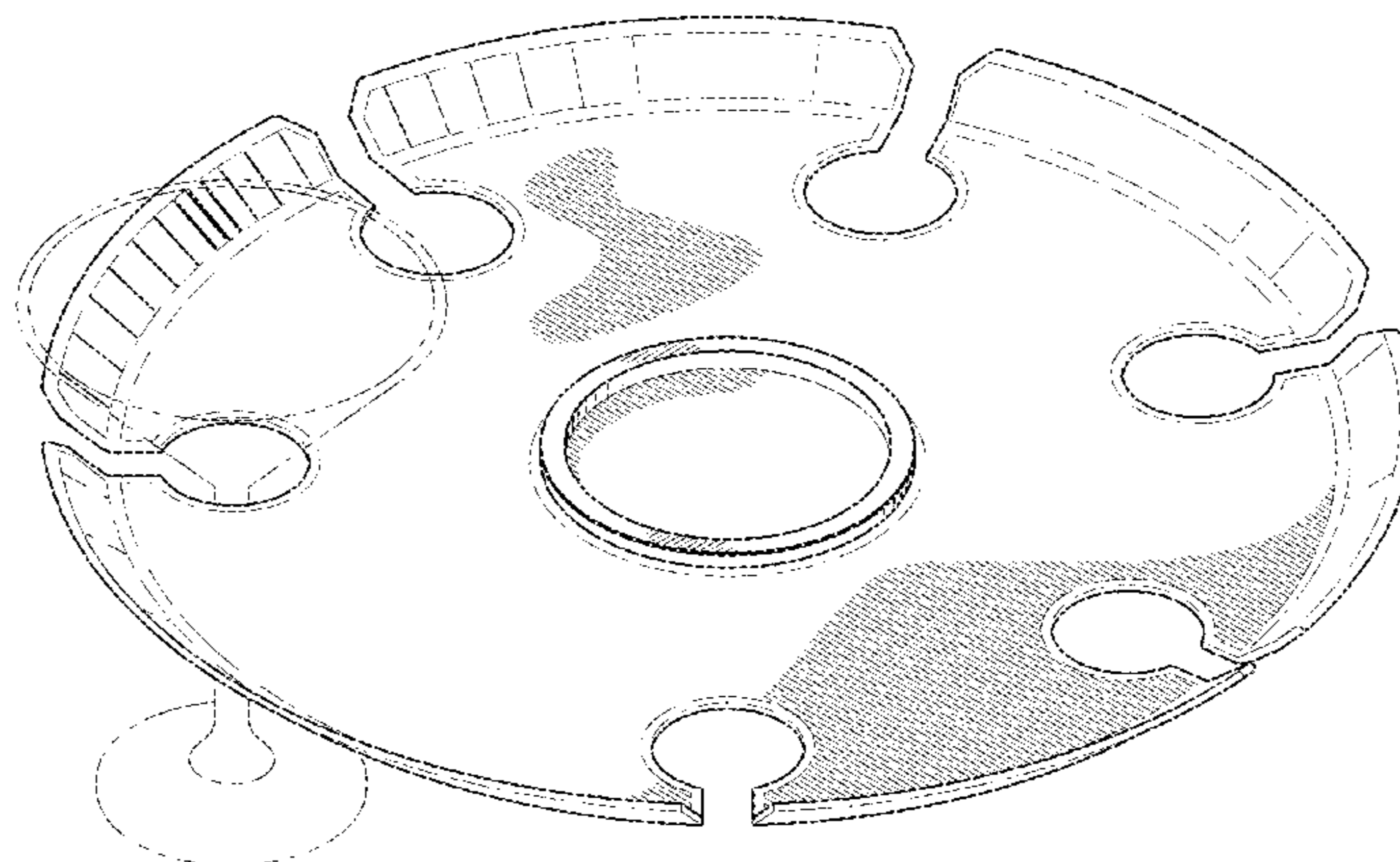
(52) **U.S. Cl.**
USPC **D7/554.2**

(58) **Field of Classification Search**
USPC D7/624.1, 500, 505, 505.5, 550.1,
D7/553.1, 554.2, 553.6-553.8, 357;
D21/475; 446/90; 206/561-564
CPC B65D 21/00; B65D 21/0204
See application file for complete search history.

(56) **References Cited**

U.S. PATENT DOCUMENTS

D87,682 S	8/1932	Porter	
D105,687 S *	8/1937	Bode	D7/702
3,491,893 A	1/1970	Morris	
4,334,623 A	6/1982	Geary	
4,516,685 A *	5/1985	French	A47G 19/06 206/563
D326,588 S *	6/1992	Meisel	D7/549
D342,421 S *	12/1993	DuBow	D7/708
D359,885 S *	7/1995	Yanuzzi	D7/549
5,711,595 A	1/1998	Gerbe	
5,769,264 A	6/1998	Lipkowitz	
5,772,050 A	6/1998	Shih	
6,021,914 A	2/2000	Schmidt	
D453,891 S *	2/2002	Sussman	D7/553.1



(56)

References Cited

U.S. PATENT DOCUMENTS

D576,455 S *	9/2008	Siddle	D7/701	8,186,524 B2	5/2012	Siahpush	
7,562,785 B2	7/2009	Meissen		8,272,512 B2	9/2012	Joseph	
D614,926 S *	5/2010	Cox	D7/708	D708,062 S *	7/2014	Musi Navarro	D7/702
D623,478 S *	9/2010	Hayashi	D7/551.1	2005/0017134 A1	1/2005	Hooper	
D651,028 S	12/2011	Grimaldi		2008/0264822 A1	10/2008	Faiola	
				2012/0031806 A1	2/2012	Riley	
				2012/0097574 A1	4/2012	Parsons	

* cited by examiner

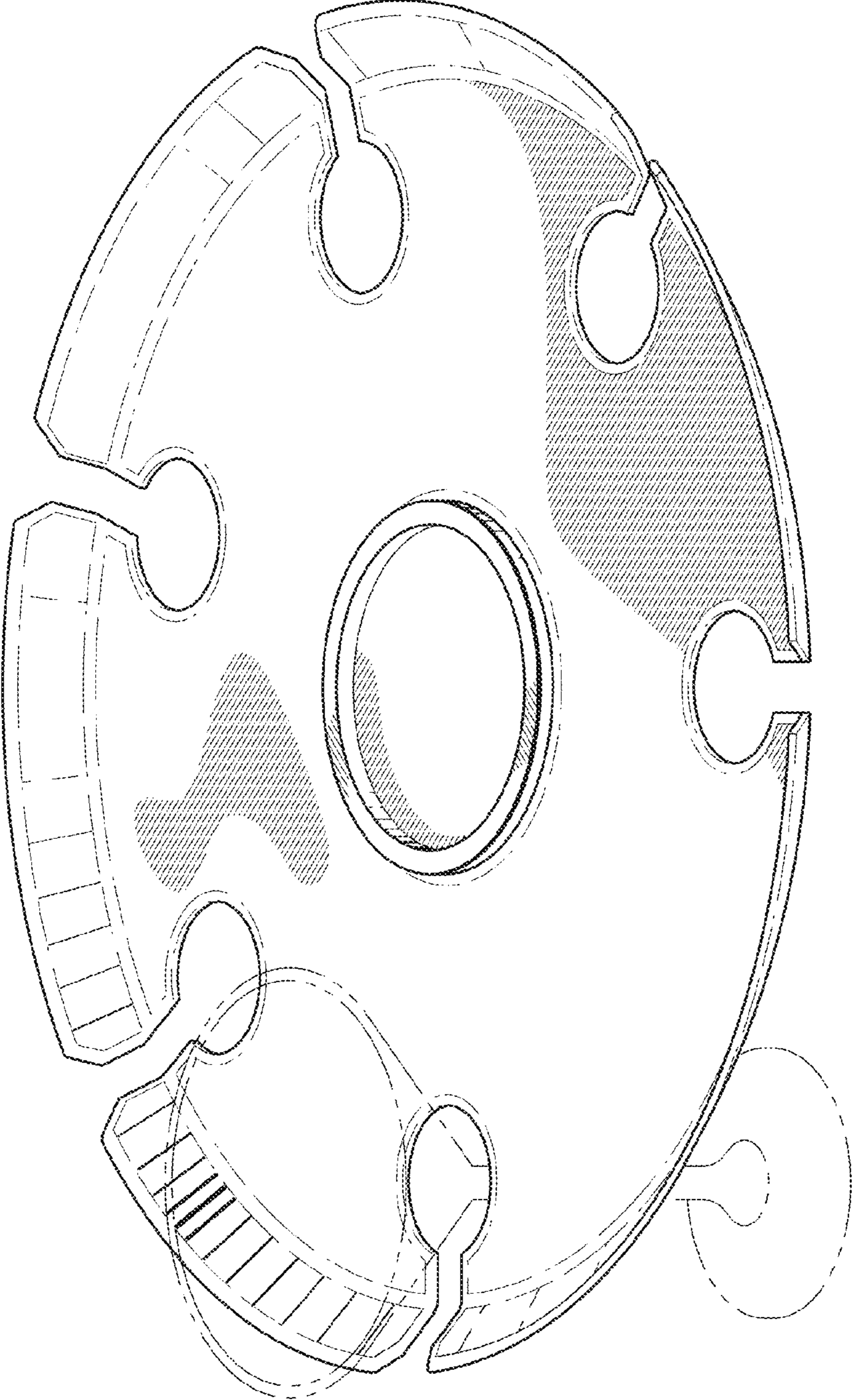


FIG. 1

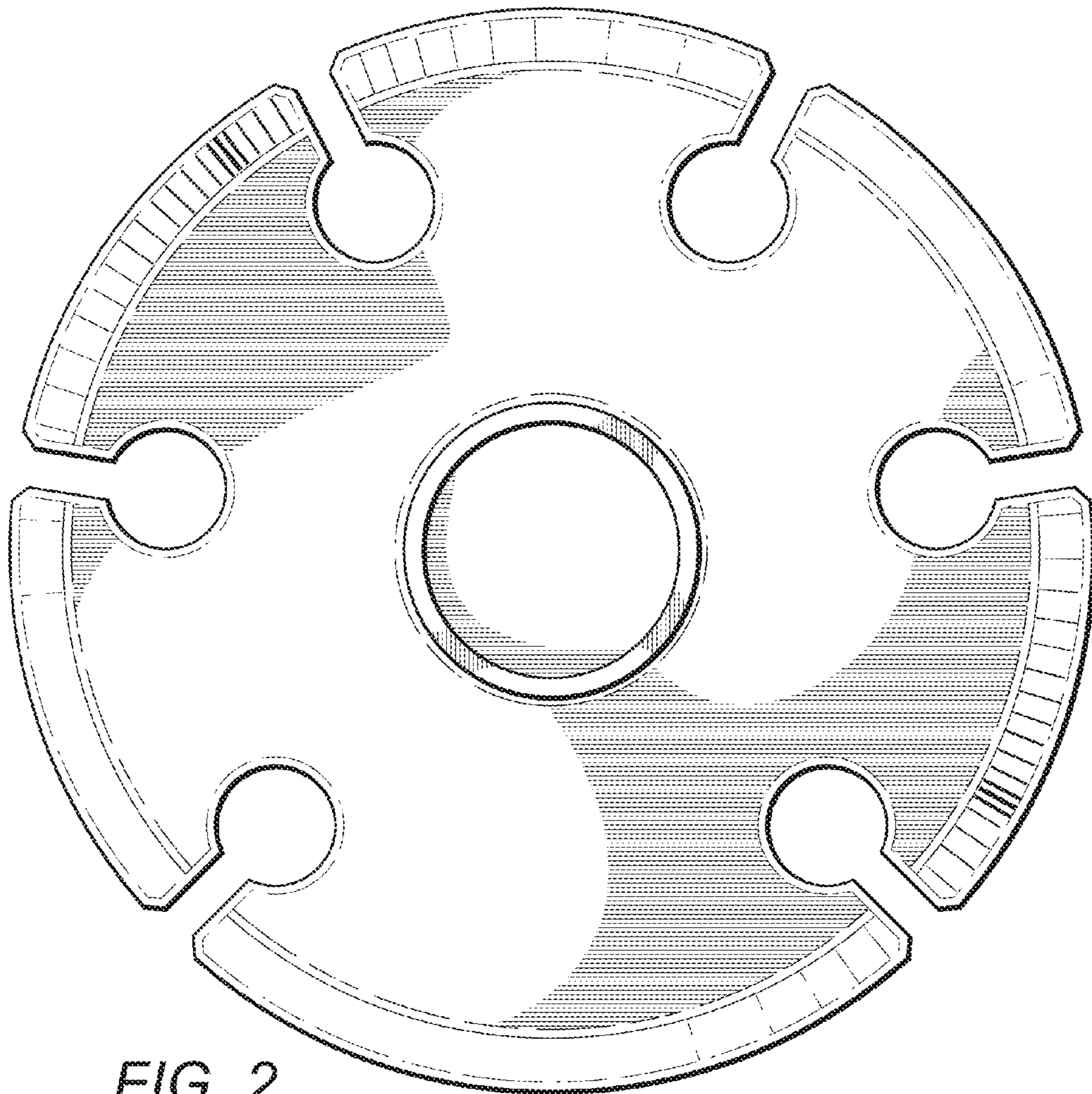


FIG. 2



FIG. 4

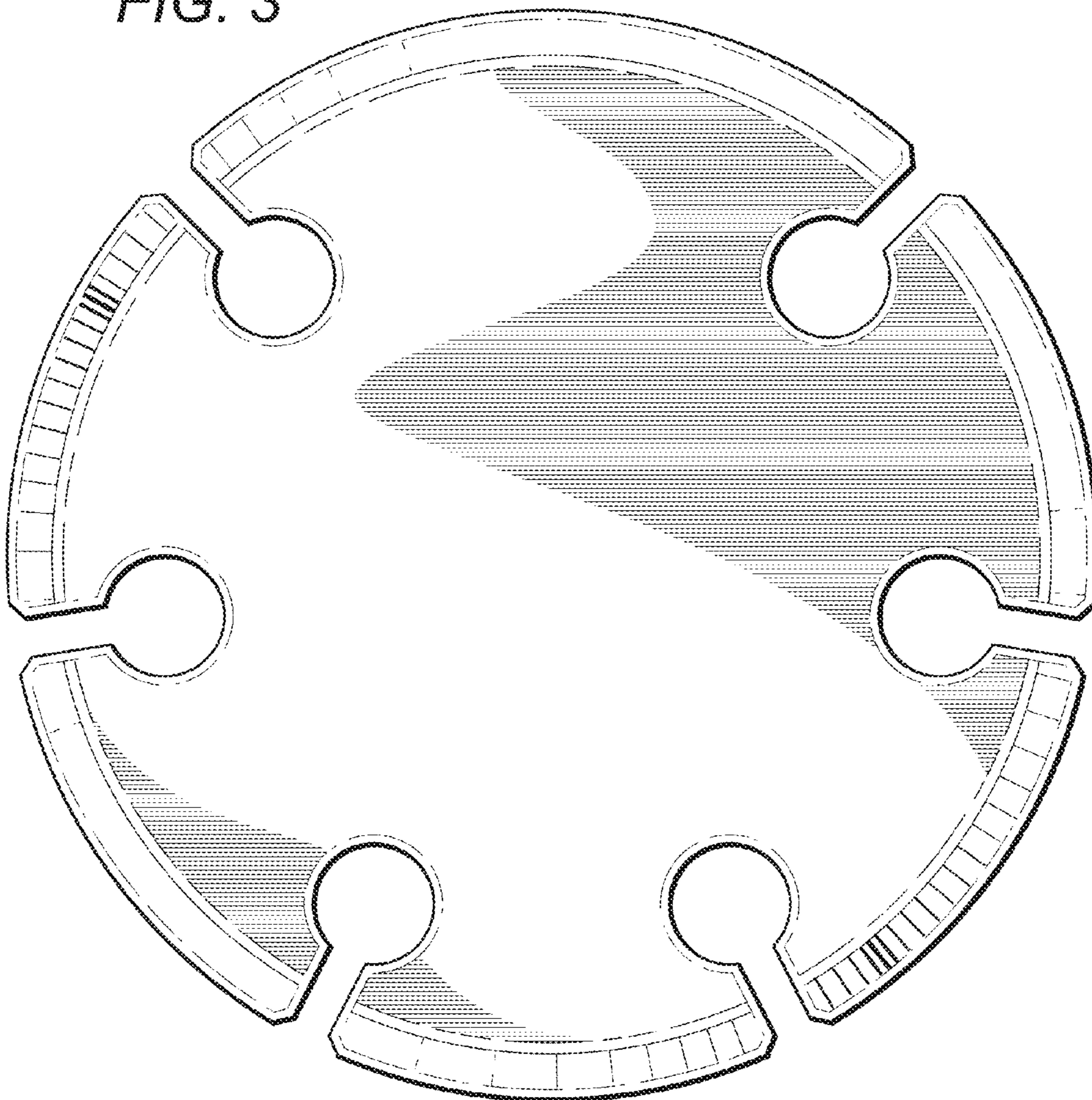
FIG. 5



FIG. 6



FIG. 3



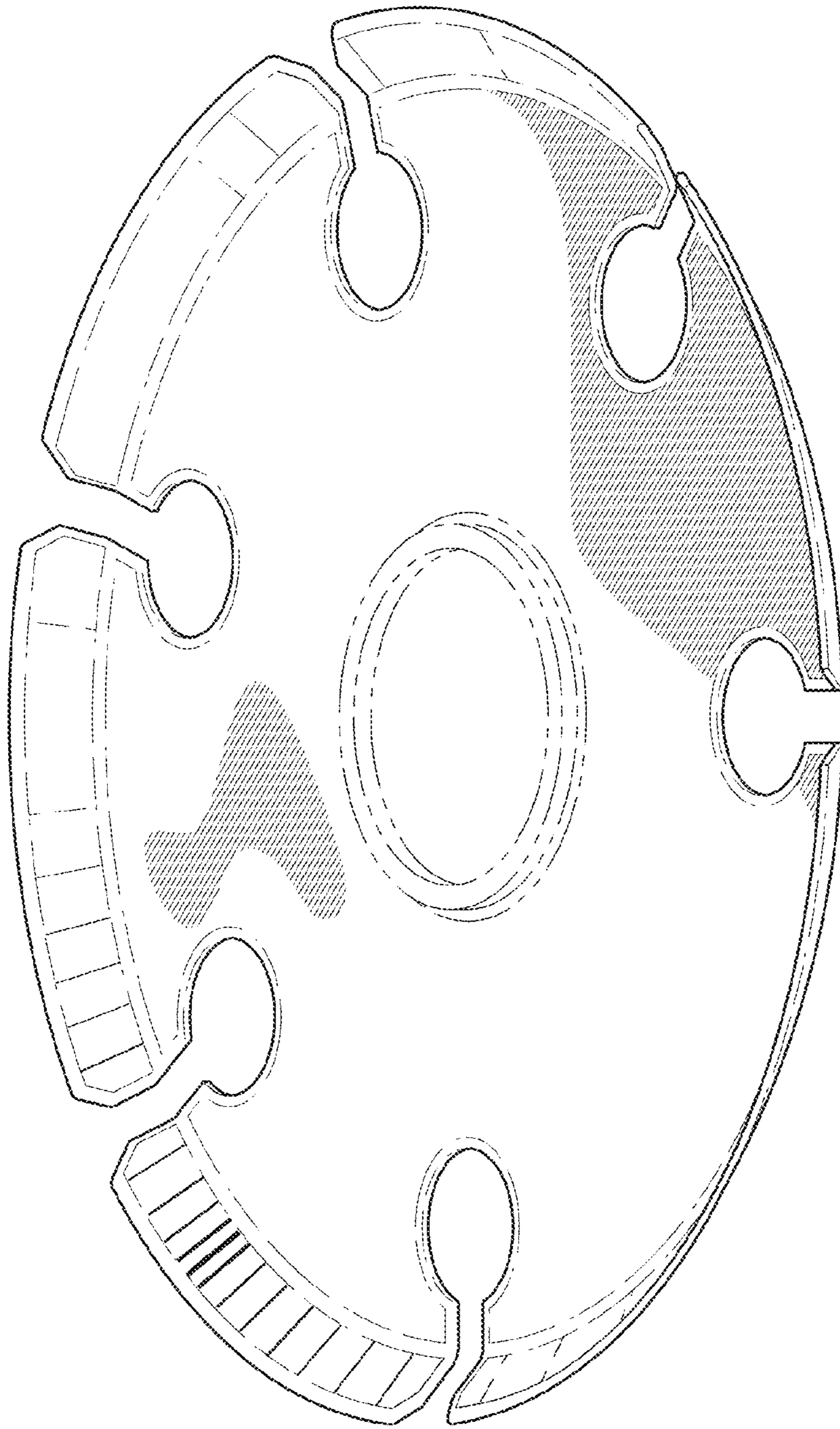


FIG. 7