

US00D76663S

(12) **United States Design Patent** (10) **Patent No.:** **US D766,663 S**
Bergeron et al. (45) **Date of Patent:** **** Sep. 20, 2016**

(54) **FOOD TRAY AND DISPLAY**
(71) Applicant: **Tekni-Plex, Inc.**, King of Prussia, PA (US)
(72) Inventors: **Mark A. Bergeron**, Monroe, GA (US); **Darren Hoffman**, Kansas City, MO (US)
(73) Assignee: **Tekni-Plex, Inc.**, Wayne, PA (US)

D351,661 S * 10/1994 Fischer D24/176
D384,275 S * 9/1997 DuBois D7/553.1
D438,100 S * 2/2001 Cekota D9/755
D463,977 S * 10/2002 Castellanos D9/425
D492,593 S * 7/2004 Dutton D9/760
D614,047 S * 4/2010 Landry D9/755
D684,276 S * 6/2013 Hudson D24/226
D695,134 S * 12/2013 Priebe D9/732
D708,763 S * 7/2014 Smeja D24/229
D729,550 S * 5/2015 Williams D6/675
D739,680 S * 9/2015 Smeja D24/230
D750,975 S * 3/2016 Prince D9/456

(**) Term: **14 Years**

OTHER PUBLICATIONS

(21) Appl. No.: **29/522,474**

Commodore Plastics (Bloomfield, NY) Sausage Ball tray (Jan. 21, 2014); top, bottom, and side views.

(22) Filed: **Mar. 31, 2015**

* cited by examiner

(51) **LOC (10) Cl.** **07-01**

(52) **U.S. Cl.**
USPC **D7/553.1**

Primary Examiner — Kelley Donnelly
(74) *Attorney, Agent, or Firm* — Polsinelli PC

(58) **Field of Classification Search**
USPC D7/550.1, 552.2, 553.1, 553.2, 553.5,
D7/554.3, 601-602, 397, 401.1; D9/415,
D9/418, 759-761
CPC B65D 1/243; B65D 2501/24019;
B65D 2501/24165; B65D 11/18; B65D 85/30
See application file for complete search history.

(57) **CLAIM**
The ornamental design for a food tray and display, as shown and described.

DESCRIPTION

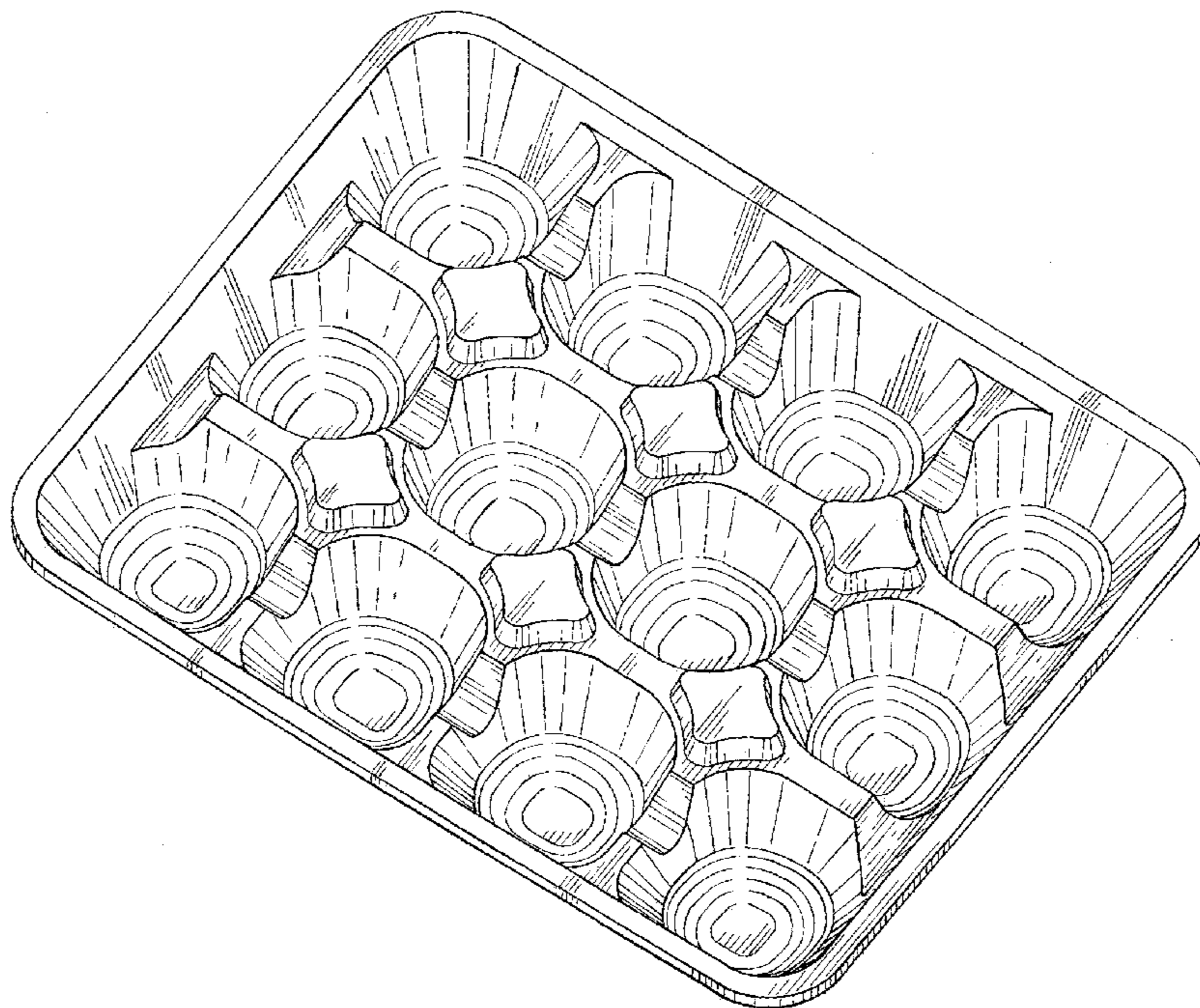
(56) **References Cited**

U.S. PATENT DOCUMENTS

3,508,930 A * 4/1970 Viesturs A23L 1/33
426/119
D236,575 S * 9/1975 Vigue D7/553.4
D331,008 S * 11/1992 Vigue D7/553.3
5,335,814 A * 8/1994 Hepp B65D 71/70
206/427

FIG. 1 is a top, front, right side perspective view of a food tray and display;
FIG. 2 is a top plan view thereof;
FIG. 3 is a bottom plan view thereof;
FIG. 4 is a front elevational view thereof, the rear view being a mirror image thereof; and,
FIG. 5 is a left side elevational view thereof, the right side view being a mirror image thereof.

1 Claim, 4 Drawing Sheets



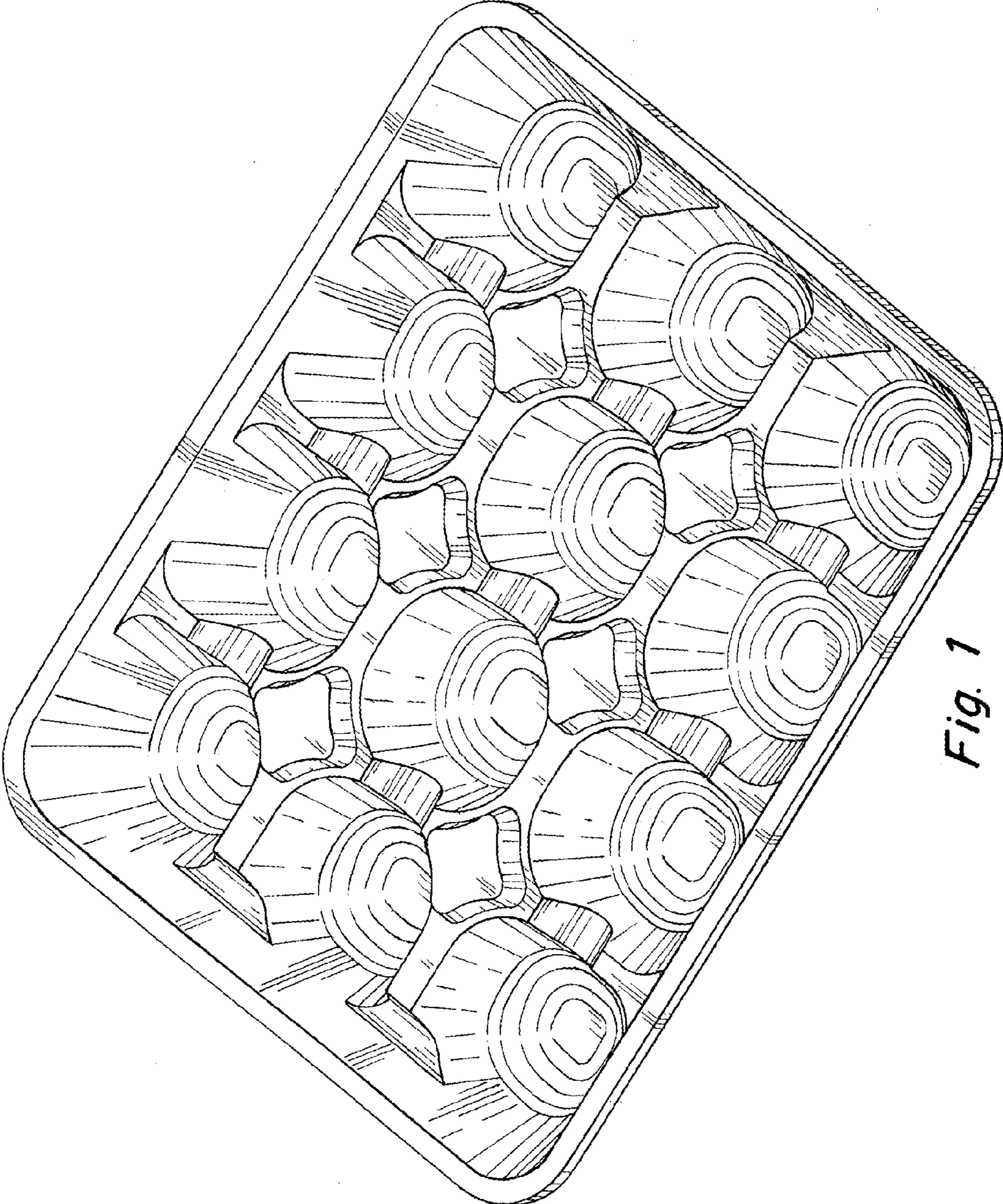


Fig. 1

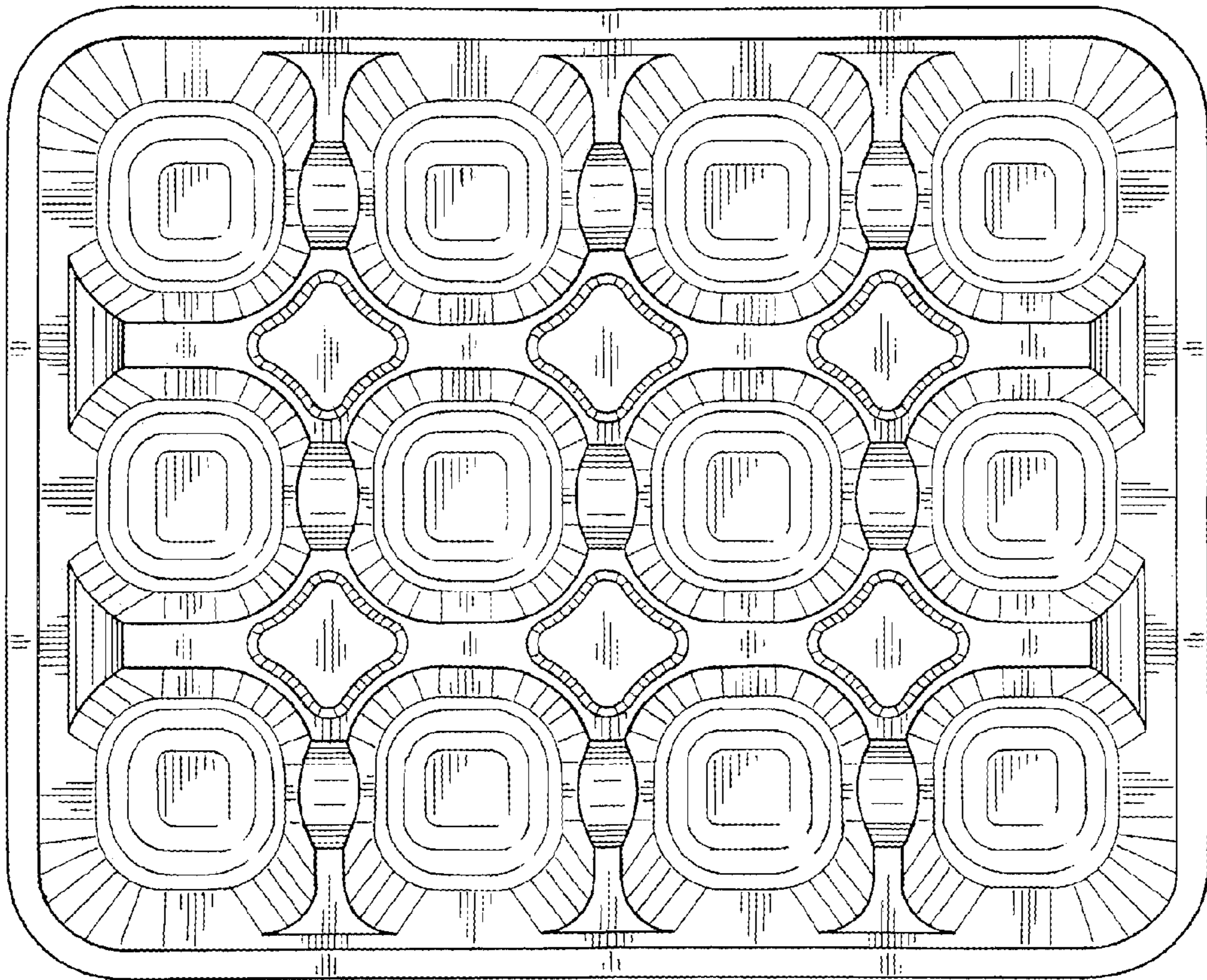


Fig. 2

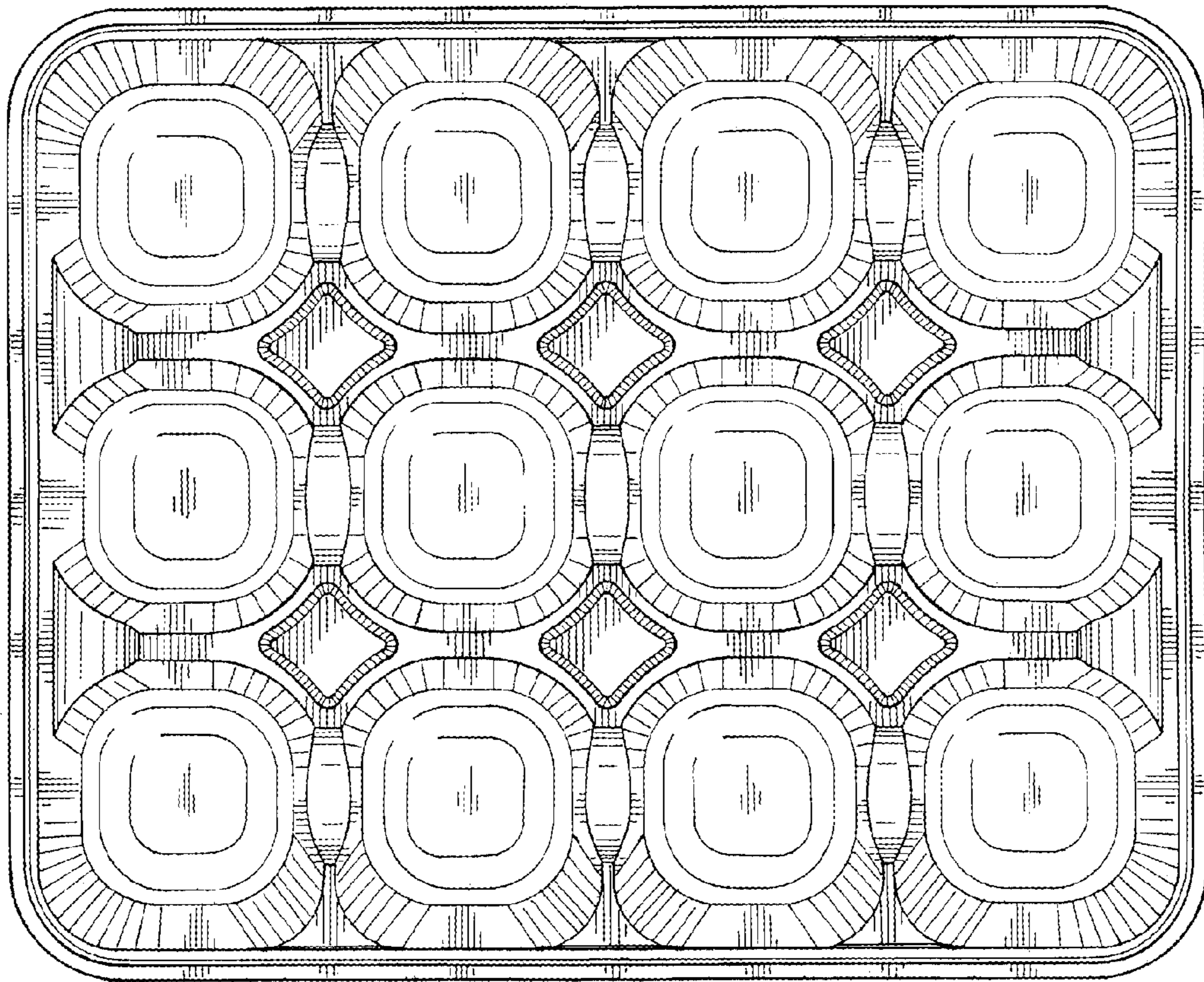


Fig. 3

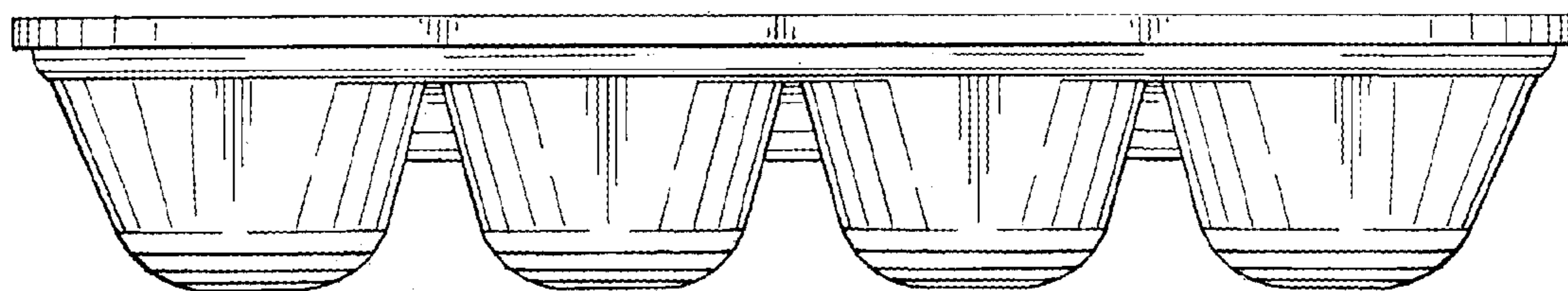


Fig. 4

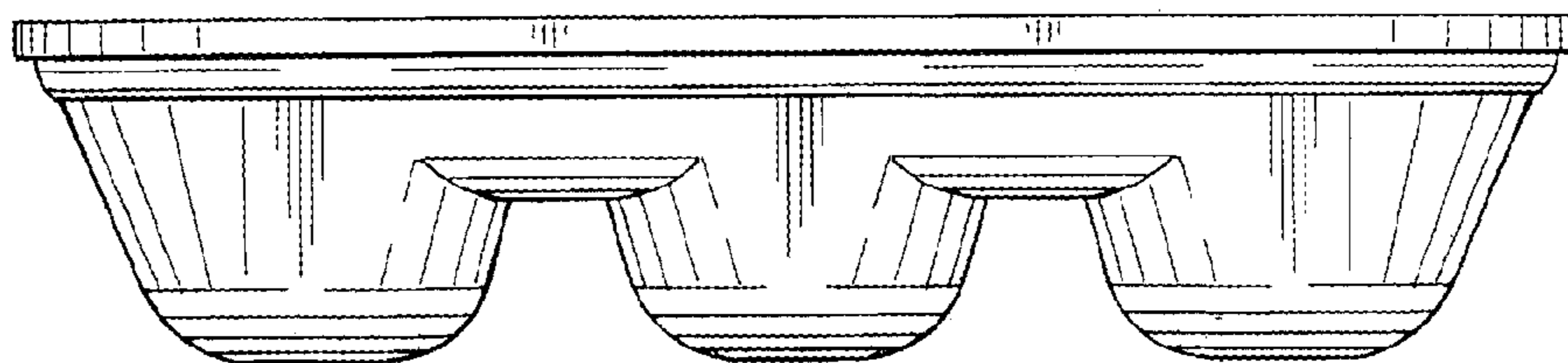


Fig. 5