



US00D76662S

(12) **United States Design Patent**
Joseph

(10) **Patent No.:** **US D766,662 S**

(45) **Date of Patent:** **** Sep. 20, 2016**

- (54) **TILT OMELETTE BOWL**
- (71) Applicant: **JOSEPH JOSEPH LTD.**, London (GB)
- (72) Inventor: **Antony Joseph**, London (GB)
- (73) Assignee: **Joseph Joseph Ltd.**, London (GB)
- (**) Term: **15 Years**
- (21) Appl. No.: **29/541,629**
- (22) Filed: **Oct. 6, 2015**

(30) **Foreign Application Priority Data**

Apr. 10, 2015 (EM) 002678458-0003

- (51) **LOC (10) Cl.** **07-01**
- (52) **U.S. Cl.**
USPC **D7/545**
- (58) **Field of Classification Search**
USPC 220/574; D9/428; 1/1; D7/545, 543,
D7/500, 541, 535
CPC A47G 19/02
See application file for complete search history.

(56) **References Cited**

U.S. PATENT DOCUMENTS

D71,003 S *	9/1926	Carlson	D32/29
D371,939 S *	7/1996	Rigney	D7/509
D420,856 S *	2/2000	Yeo	D7/545
D473,754 S *	4/2003	Thun	D7/506
D512,631 S *	12/2005	Lhoste	D7/545
D543,074 S *	5/2007	Luft	D7/543
D562,633 S *	2/2008	Luft	D7/509

D604,104 S *	11/2009	Haas	D7/543
D625,961 S *	10/2010	Kent	D7/545
D656,792 S *	4/2012	Sink	D7/318
D657,617 S *	4/2012	Sarnoff	D7/354
8,375,895 B2 *	2/2013	Omps	A01K 1/0114 119/166
D678,050 S *	3/2013	Birchmeier	D9/424
D679,548 S *	4/2013	Chen	D7/545
D680,813 S *	4/2013	De Leo	D7/543
D684,429 S *	6/2013	Lion	D7/543
D715,594 S *	10/2014	Norland	D7/545
D734,641 S *	7/2015	Ginsburg	D7/545
D735,534 S *	8/2015	Berlepsch	D7/545
D756,771 S *	5/2016	Covey	D7/400

* cited by examiner

Primary Examiner — Cynthia Underwood

(74) *Attorney, Agent, or Firm* — Millen, White, Zelano & Branigan, P.C.

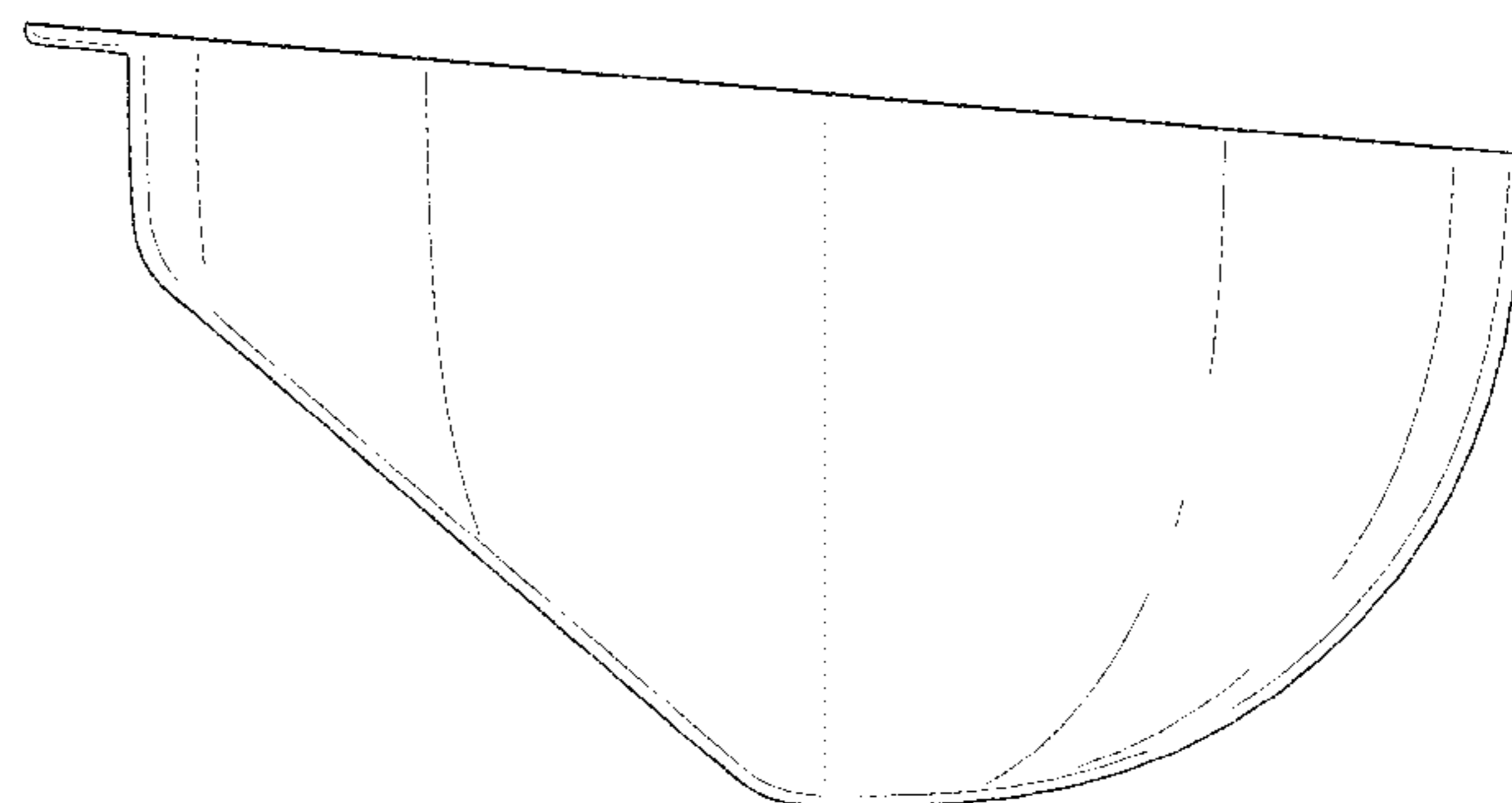
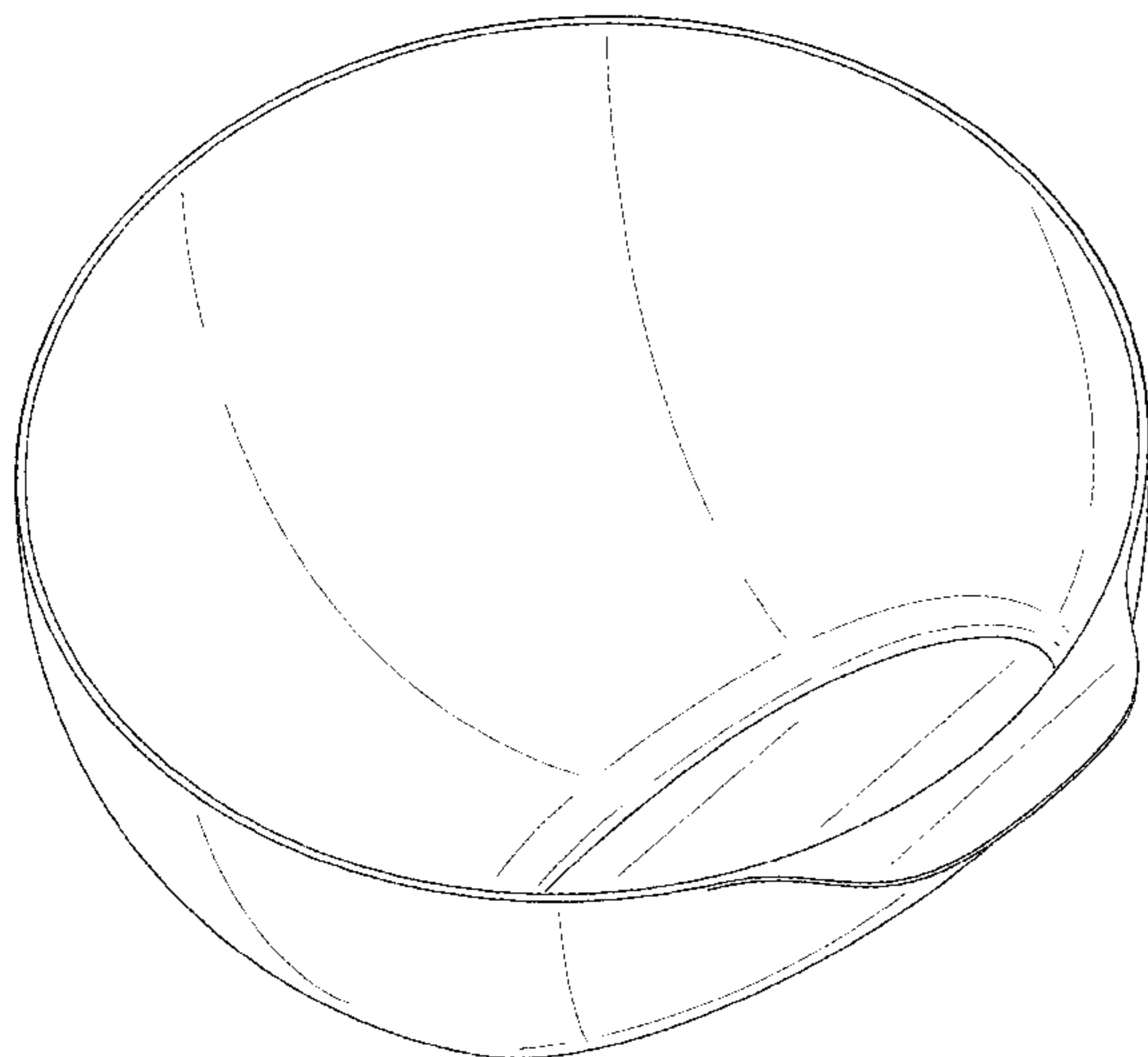
(57) **CLAIM**

The ornamental design for a tilt omelette bowl, as shown and described.

DESCRIPTION

FIG. 1 is a top perspective view of the tilt omelette bowl showing my new design.
 FIG. 2 is a bottom perspective view thereof.
 FIG. 3 is a side view thereof.
 FIG. 4 is another side view thereof.
 FIG. 5 is another side view thereof.
 FIG. 6 is another side view thereof.
 FIG. 7 is a top view thereof; and,
 FIG. 8 is a bottom view thereof.
 The broken lines in the drawings illustrate portions of the tilt omelette bowl which form no part of the claimed design.

1 Claim, 8 Drawing Sheets



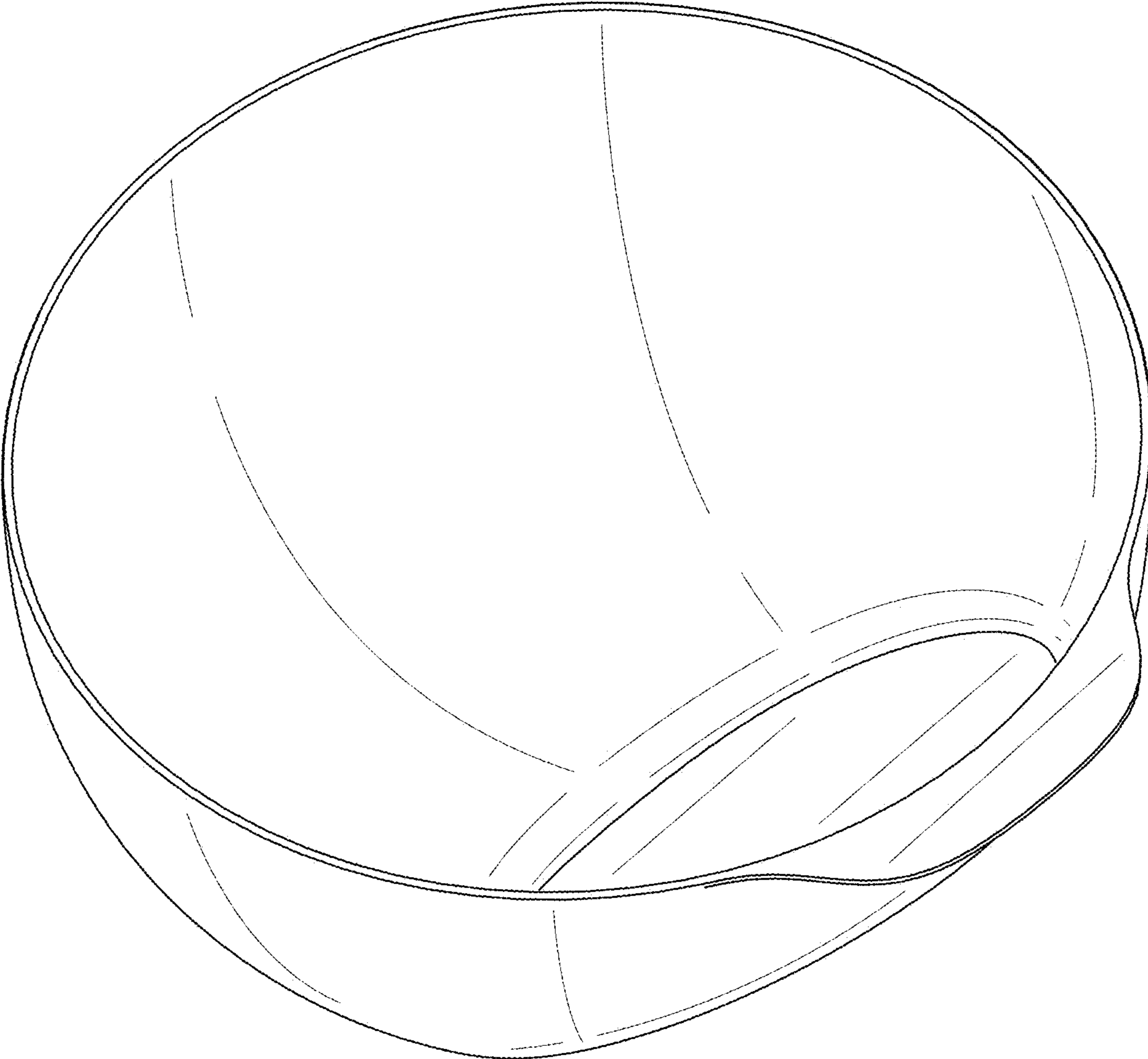


FIG. 1

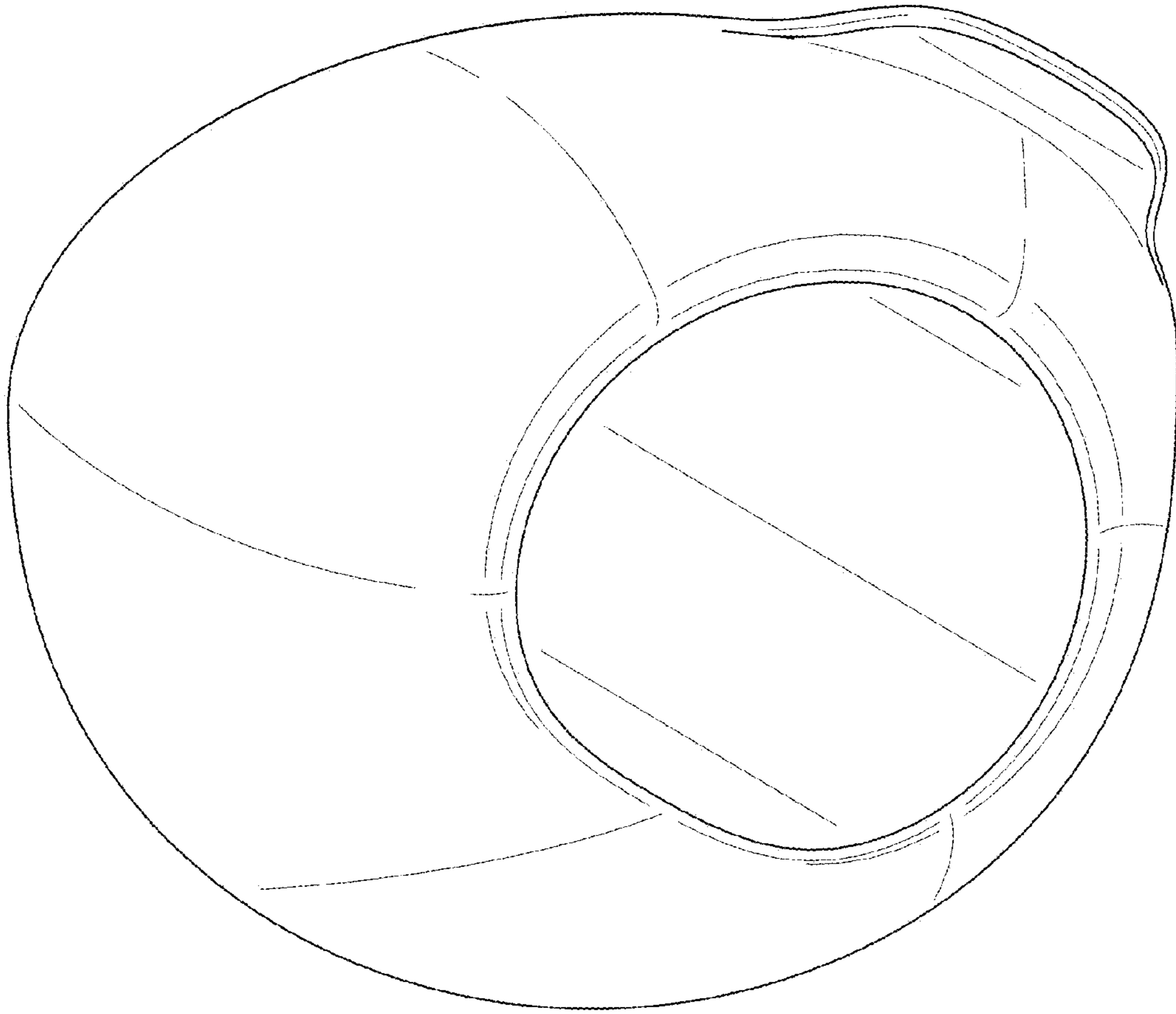


FIG. 2

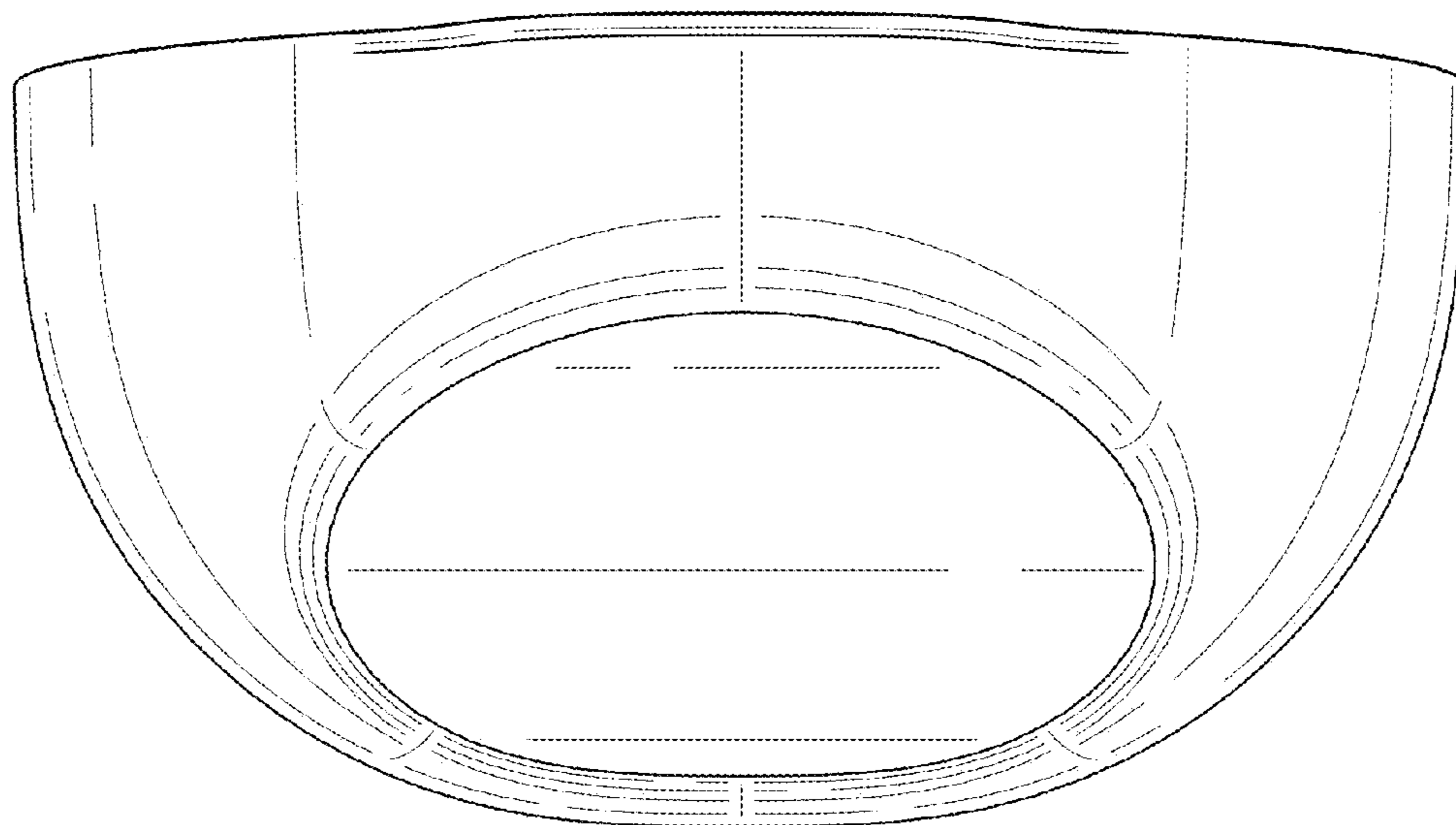


FIG. 3

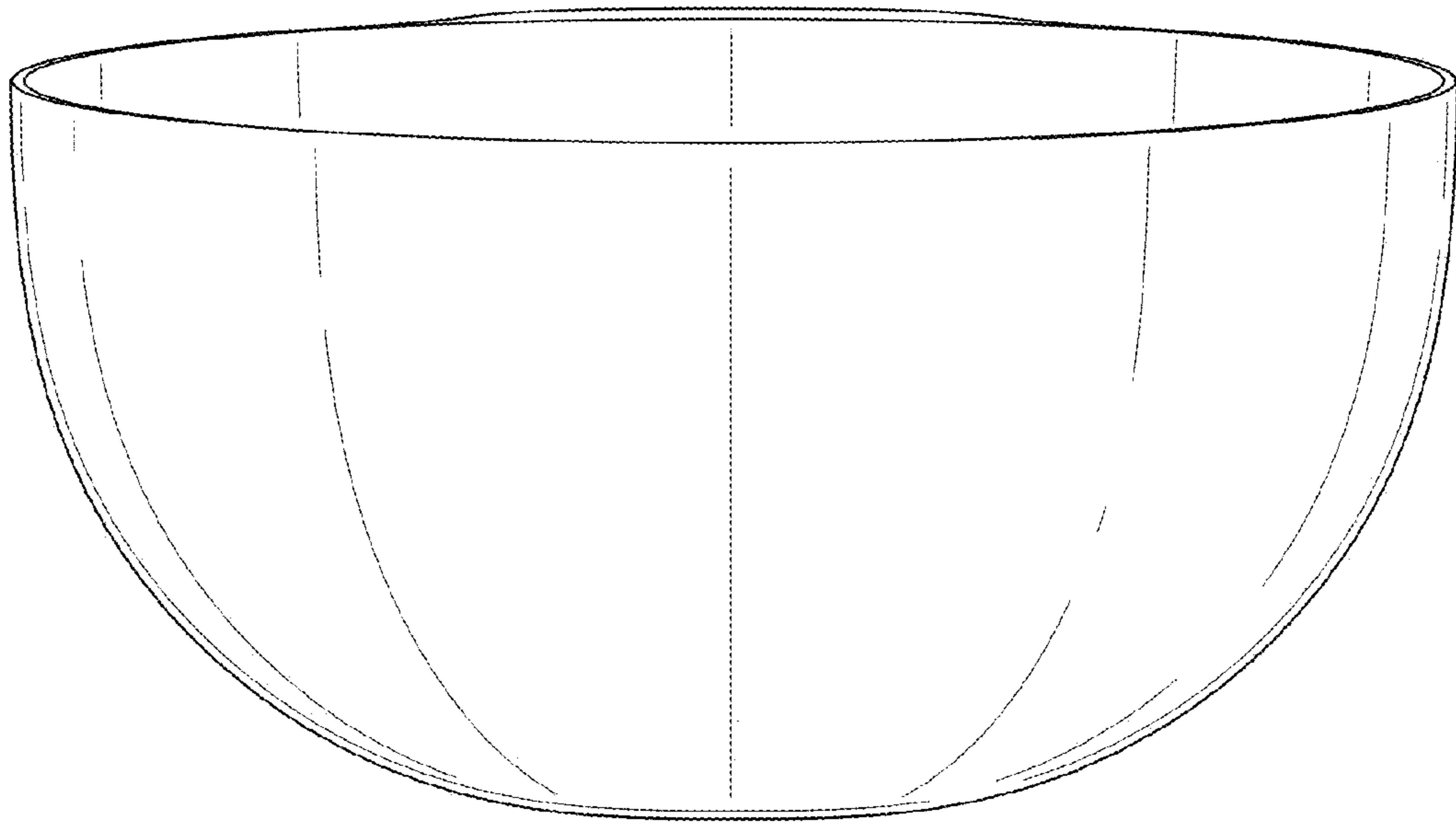


FIG. 4

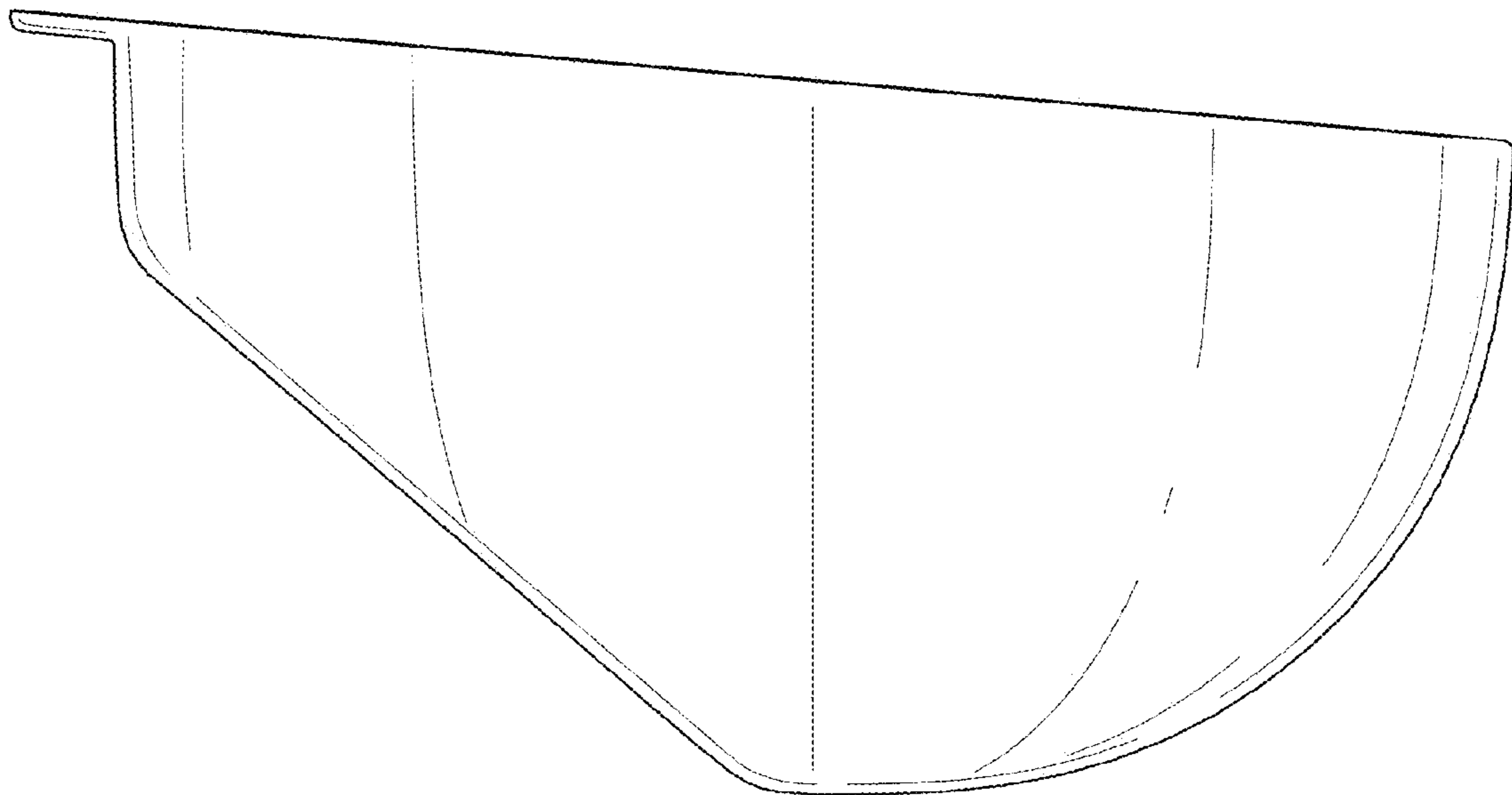


FIG. 5

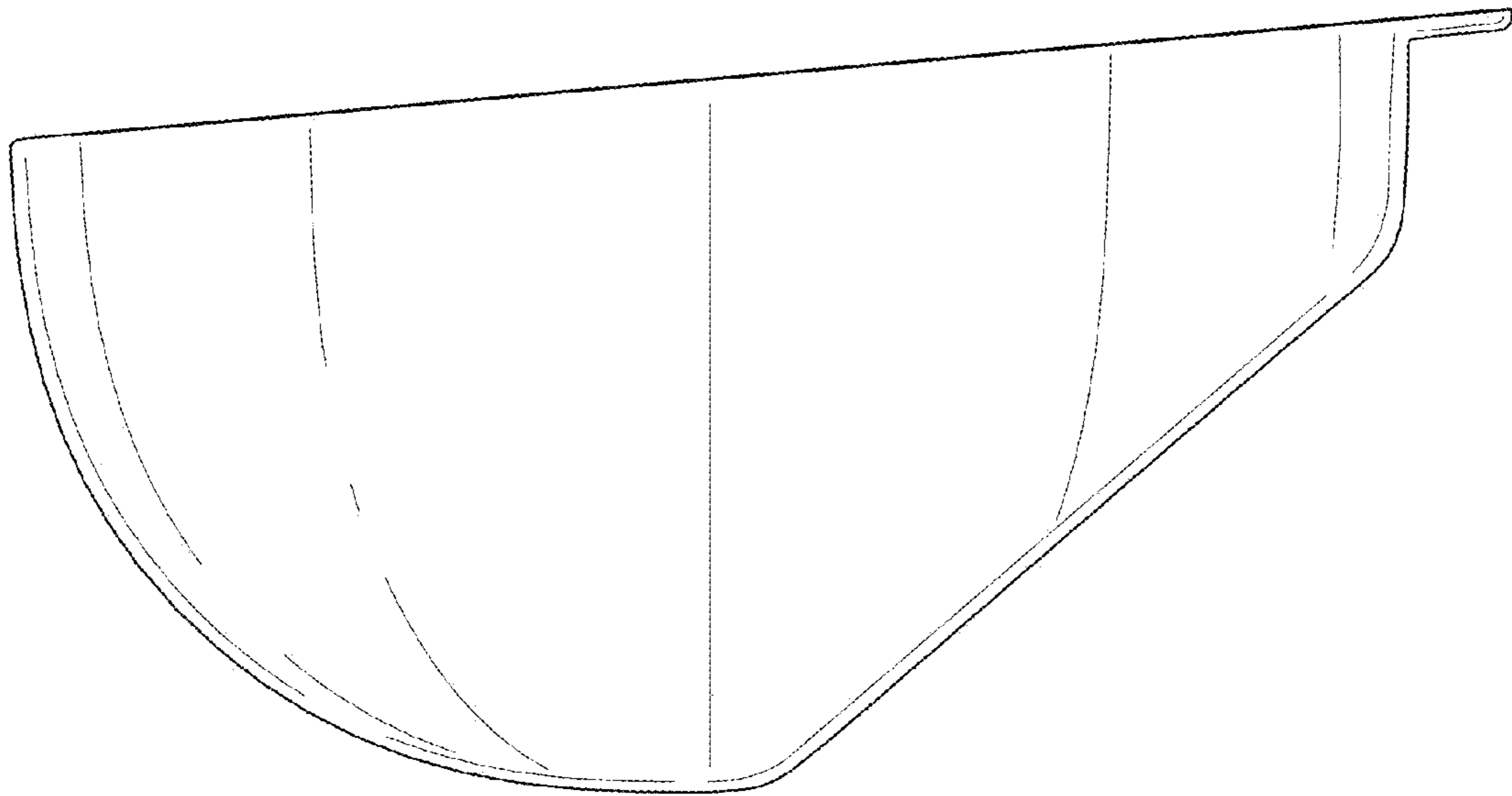


FIG. 6

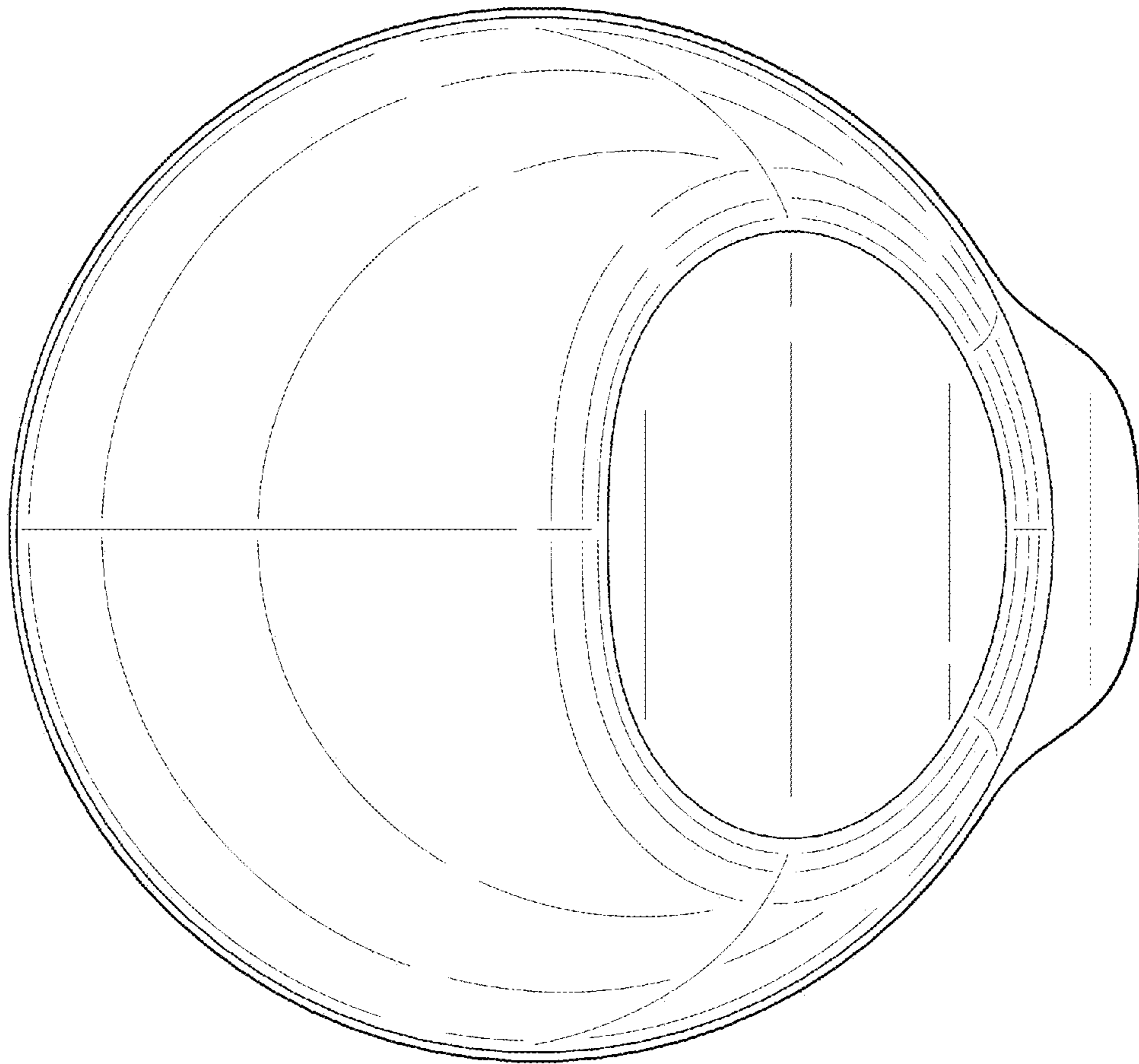


FIG. 7

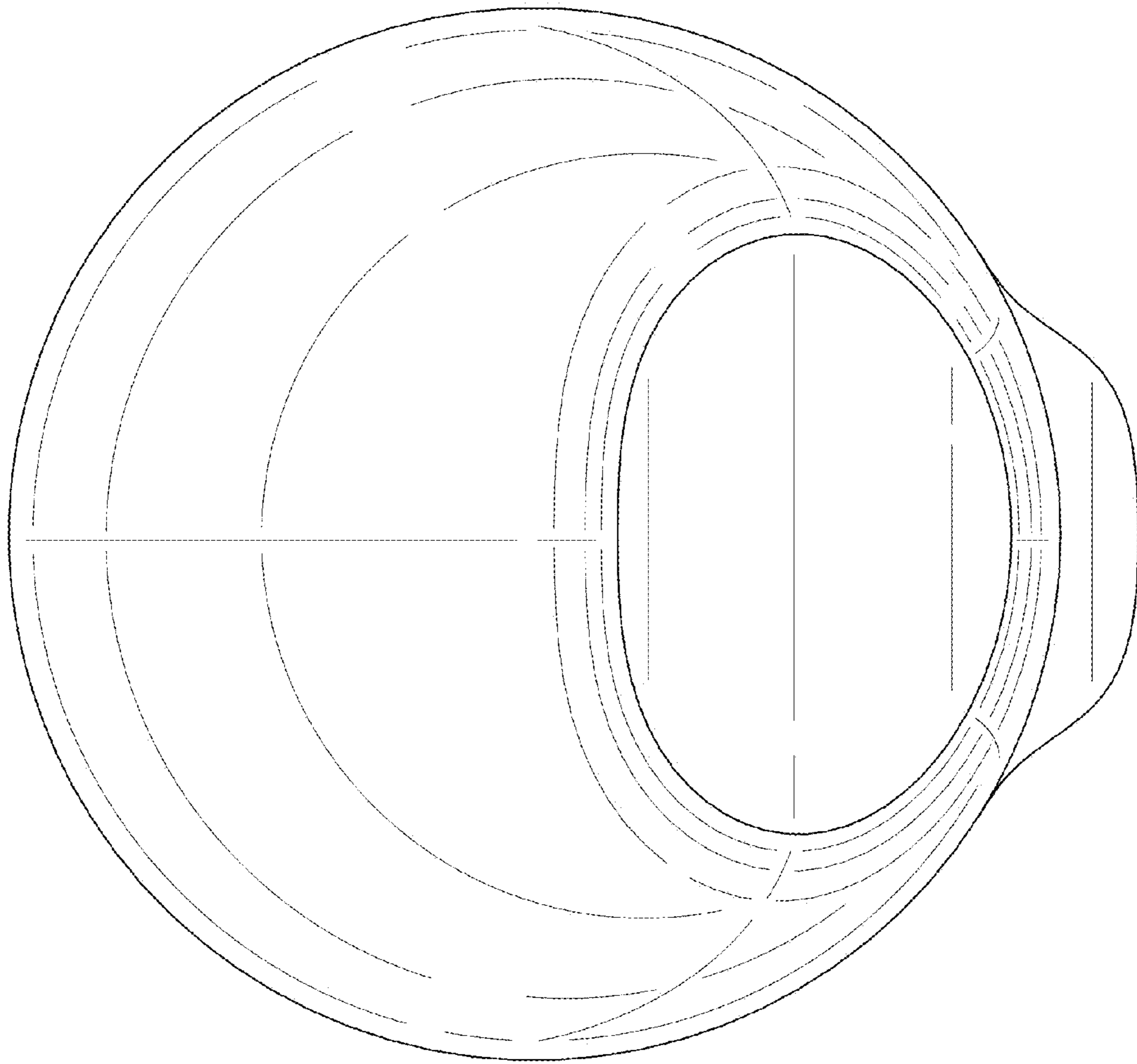


FIG. 8