



US00D76661S

(12) **United States Design Patent**
Bodum

(10) **Patent No.:** **US D766,661 S**

(45) **Date of Patent:** **** Sep. 20, 2016**

(54) **TUMBLER**

(71) Applicant: **PI-Design AG**, Triengen (CH)

(72) Inventor: **Jorgen Bodum**, Meggen (CH)

(73) Assignee: **PI-Design AG** (CH)

(**) Term: **14 Years**

(21) Appl. No.: **29/508,547**

(22) Filed: **Nov. 7, 2014**

(30) **Foreign Application Priority Data**

May 8, 2014 (WO) DM083524

(51) **LOC (10) Cl.** **07-01**

(52) **U.S. Cl.**
USPC **D7/523; D7/532**

(58) **Field of Classification Search**

USPC D7/509, 510, 511, 523, 532, 543, 505,
D7/300.1, 607, 708, 619.1, 396.1, 396.2,
D7/399, 608; D9/503, 504, 520, 546, 572,
D9/573, 574, 414, 432, 450; D24/232,
D24/216, 207, 206, 218, 224, 227, 229;
D28/82, 76, 73, 83, 85; 220/592.16,
220/592.17, 700, 703, 377; D3/202, 302
CPC A47G 19/22; A47G 19/2205; A47G
19/2255; A47G 19/2288; B65D 1/265;
B65D 43/02; B65D 3/08

See application file for complete search history.

(56) **References Cited**

U.S. PATENT DOCUMENTS

2,189,955 A * 2/1940 Hokerk B65D 11/26
220/377
4,872,569 A * 10/1989 Bolte A47G 19/22
215/12.1
D306,826 S * 3/1990 Bormioli D9/504
D322,323 S * 12/1991 Moir D24/224
D333,758 S * 3/1993 Lillelund D7/602

D352,210 S * 11/1994 Cousins D7/612
D355,735 S * 2/1995 Shaffer D32/53
D442,833 S * 5/2001 Shuman D7/608
D521,802 S * 5/2006 Sands D7/396.2
D547,611 S * 7/2007 Seum D7/510
H2217 H * 6/2008 Smay D9/503
D617,608 S * 6/2010 Yang D7/523
D676,324 S * 2/2013 DeMarco D9/503
D738,111 S * 9/2015 Otto D3/302
D740,029 S * 10/2015 Otto D3/302

* cited by examiner

Primary Examiner — Marianne Pandozzi

Assistant Examiner — Jae Liang

(74) *Attorney, Agent, or Firm* — McDonnell Boehnen
Hulbert & Berghoff LLP

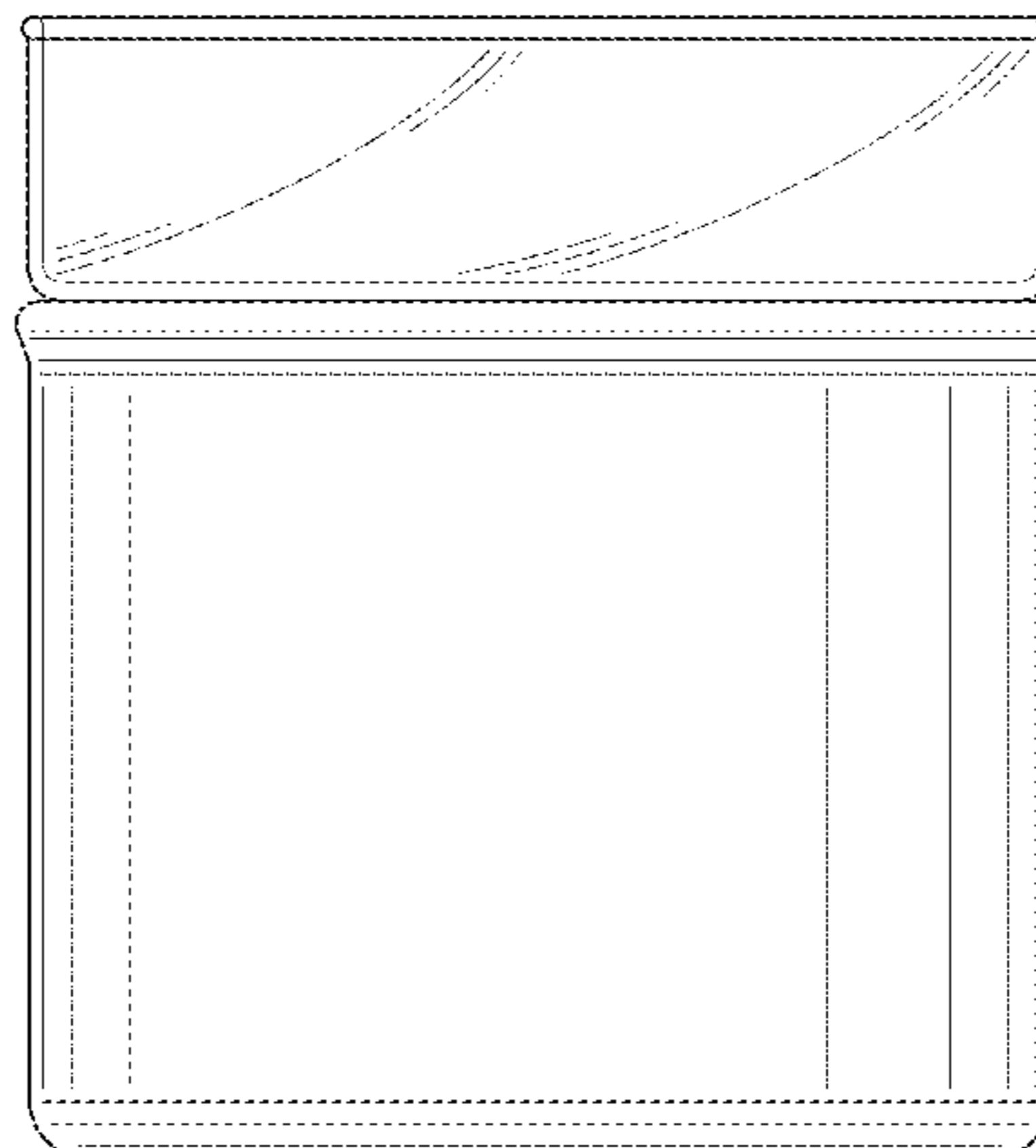
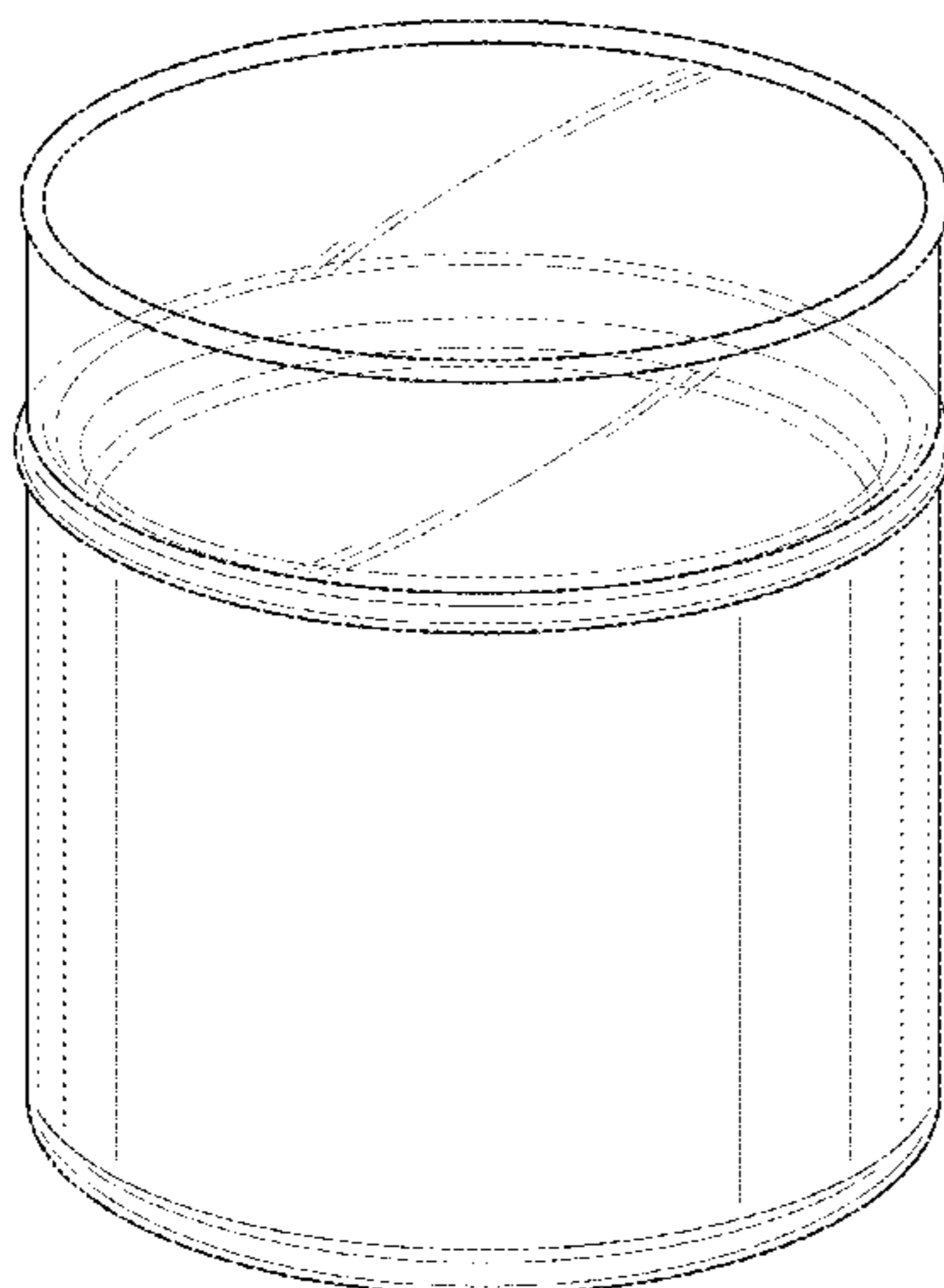
(57) **CLAIM**

The ornamental design for a tumbler, as shown and described.

DESCRIPTION

FIG. 1 is a perspective view of a first embodiment of a tumbler showing my new design;
FIG. 2 is a left side view thereof;
FIG. 3 is a right side view thereof;
FIG. 4 is a front view thereof;
FIG. 5 is a rear view thereof;
FIG. 6 is a top view thereof;
FIG. 7 is a bottom view thereof;
FIG. 8 is a perspective view of a second embodiment of a tumbler;
FIG. 9 is a left side view thereof;
FIG. 10 is a right side view thereof;
FIG. 11 is a front side view thereof;
FIG. 12 is a rear view thereof;
FIG. 13 is a top view thereof; and,
FIG. 14 is a bottom view thereof.
The broken lines in the drawing depict portions of the tumbler that form no part of the claimed design.

1 Claim, 14 Drawing Sheets



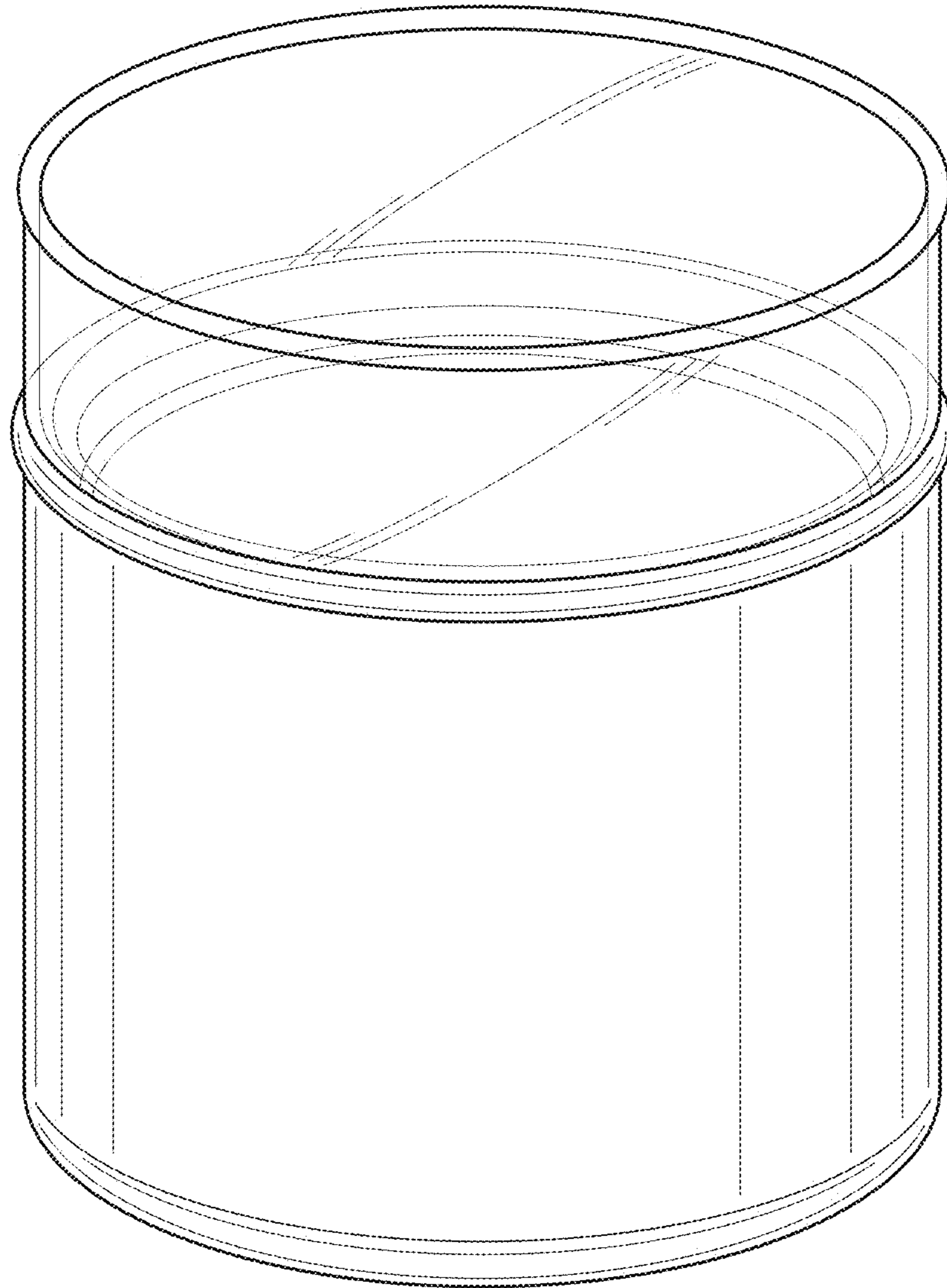


FIG. 1

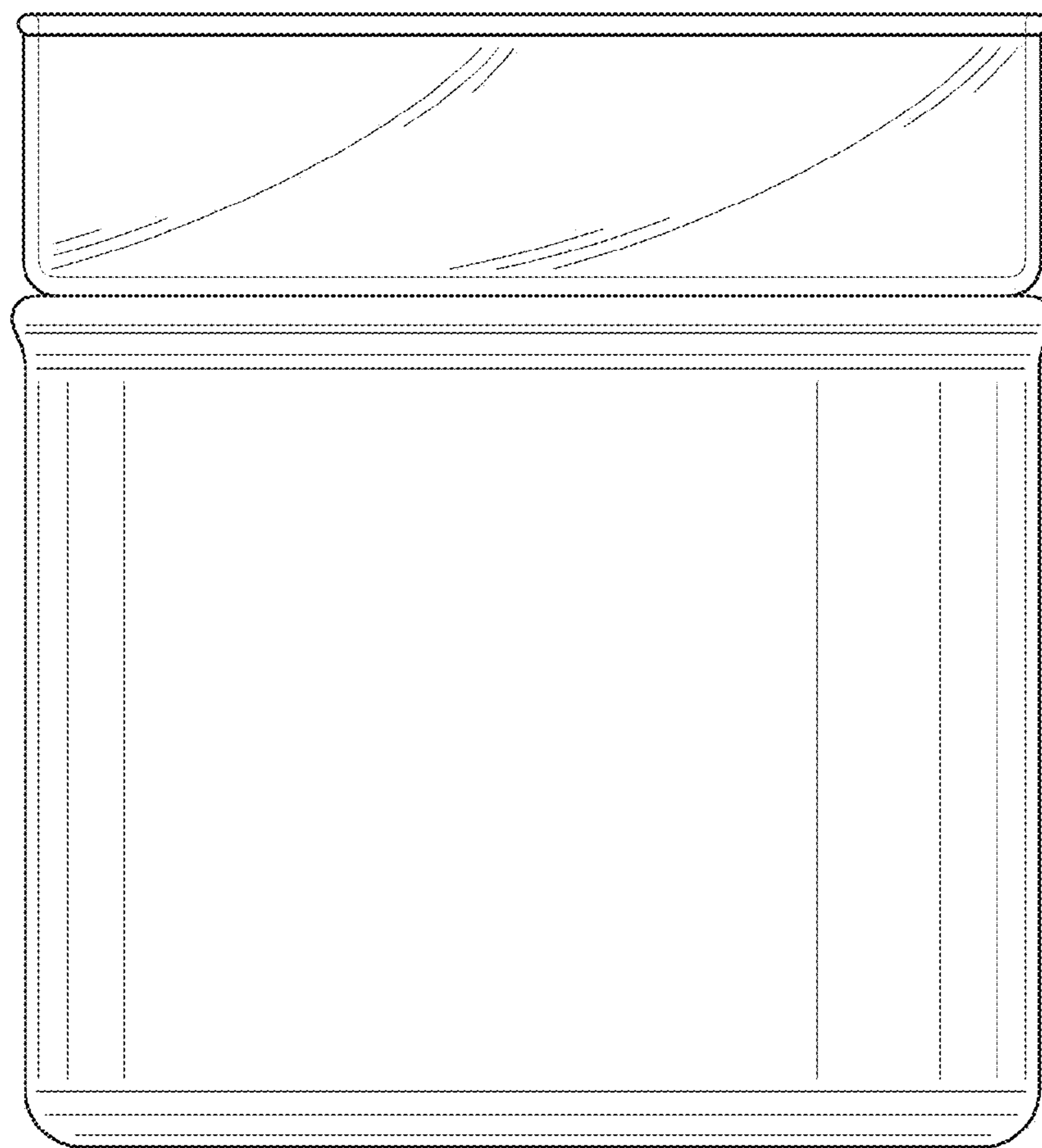


FIG. 2

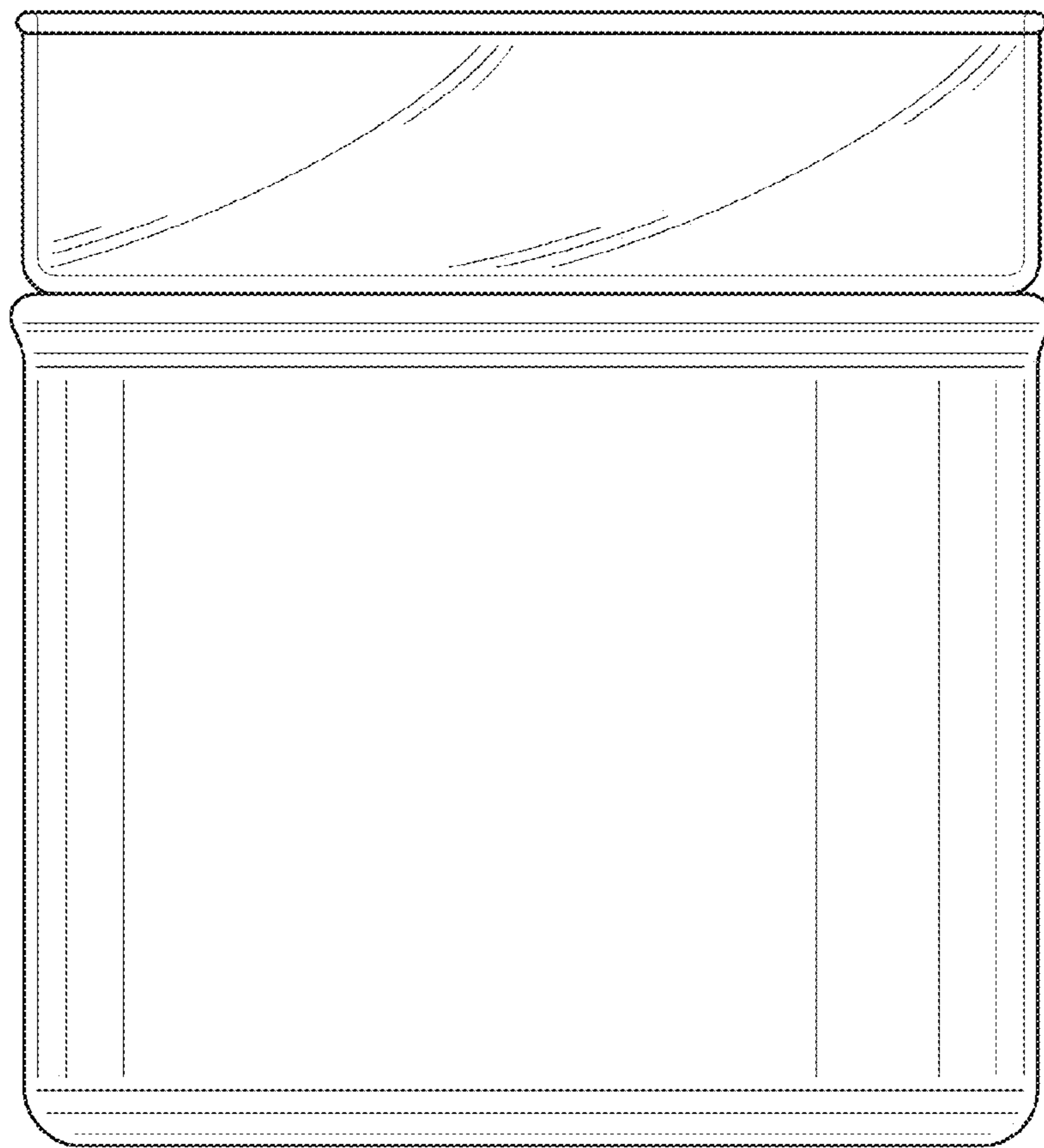


FIG. 3

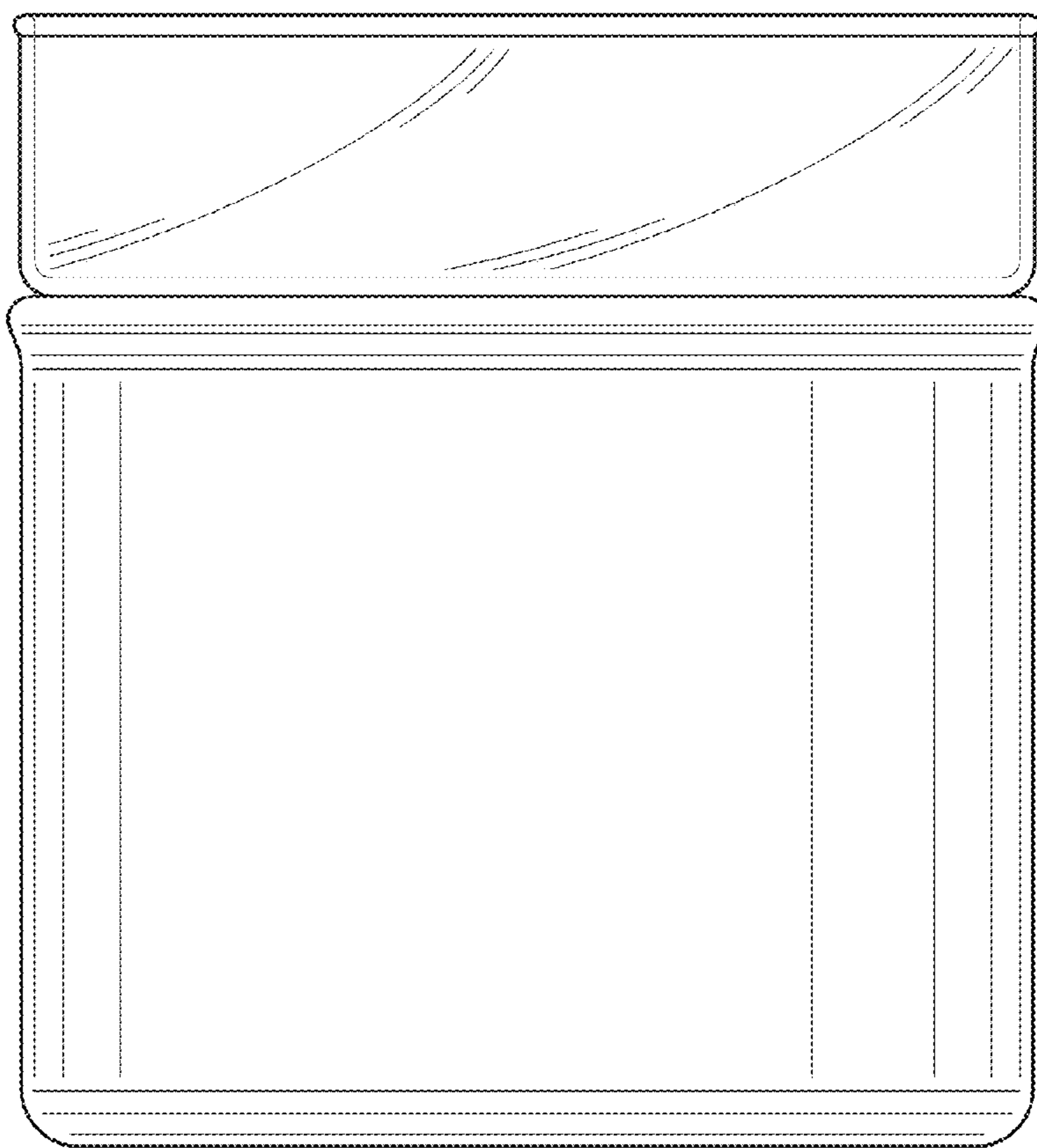


FIG. 4

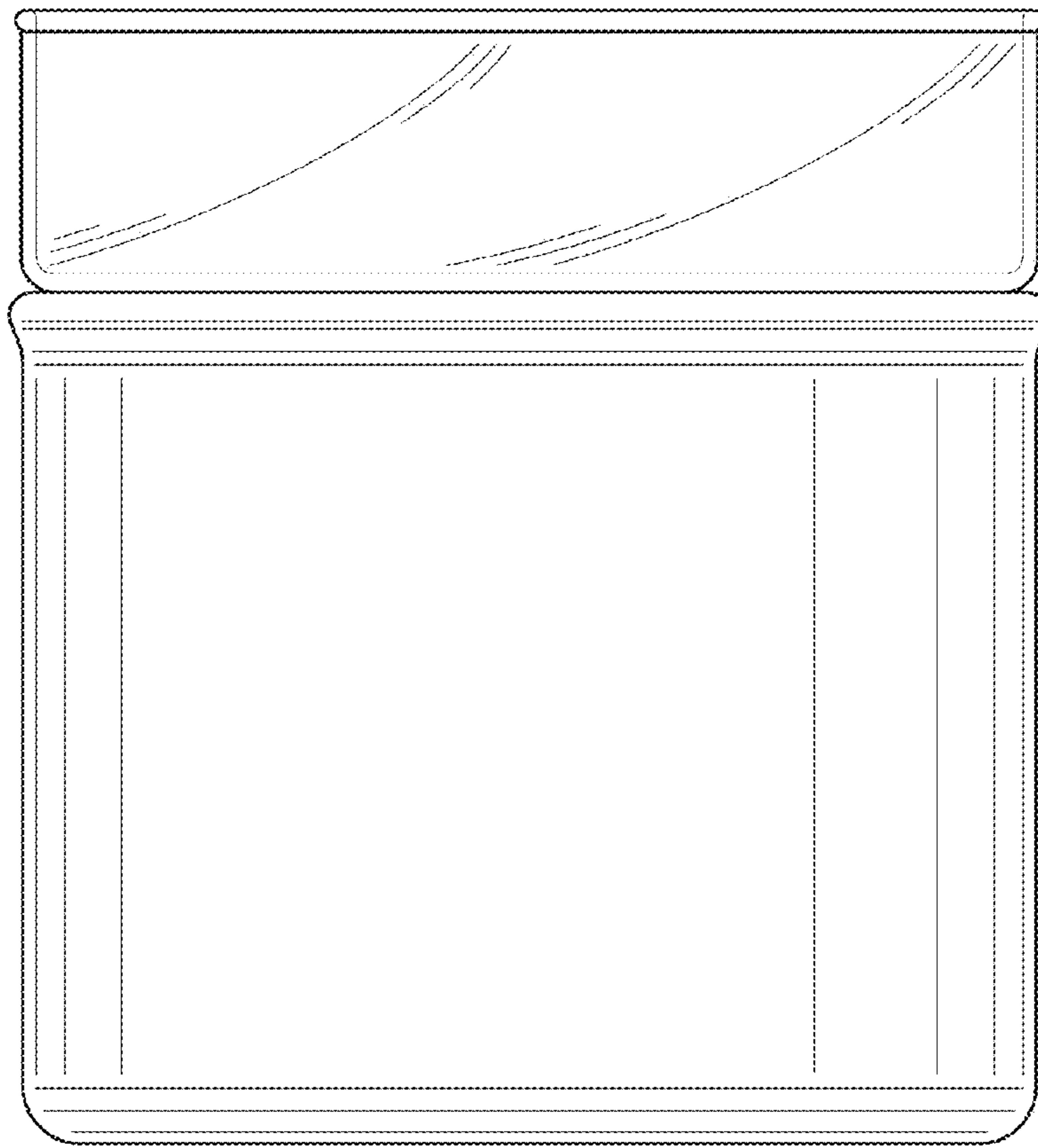


FIG. 5

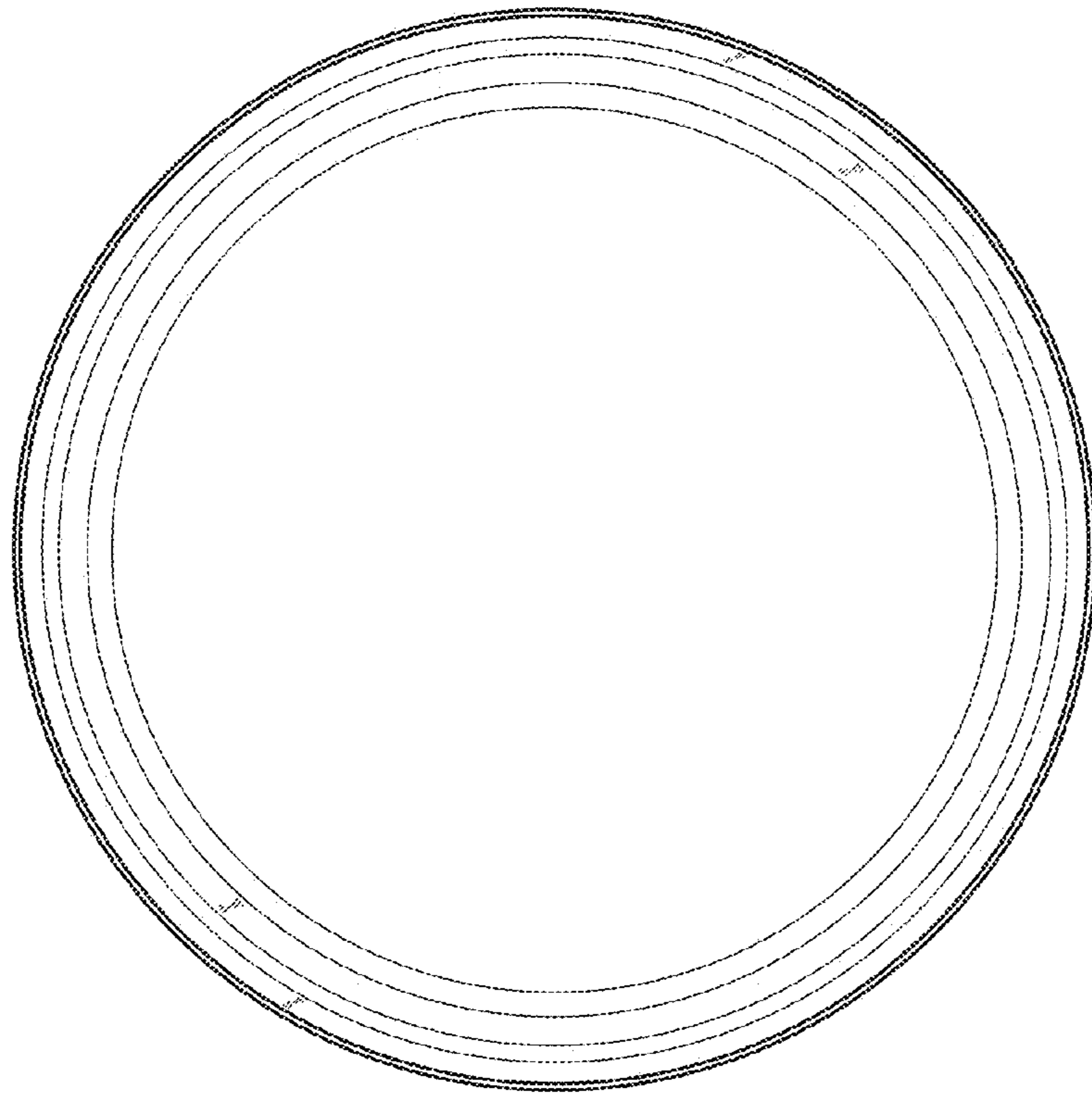


FIG. 6

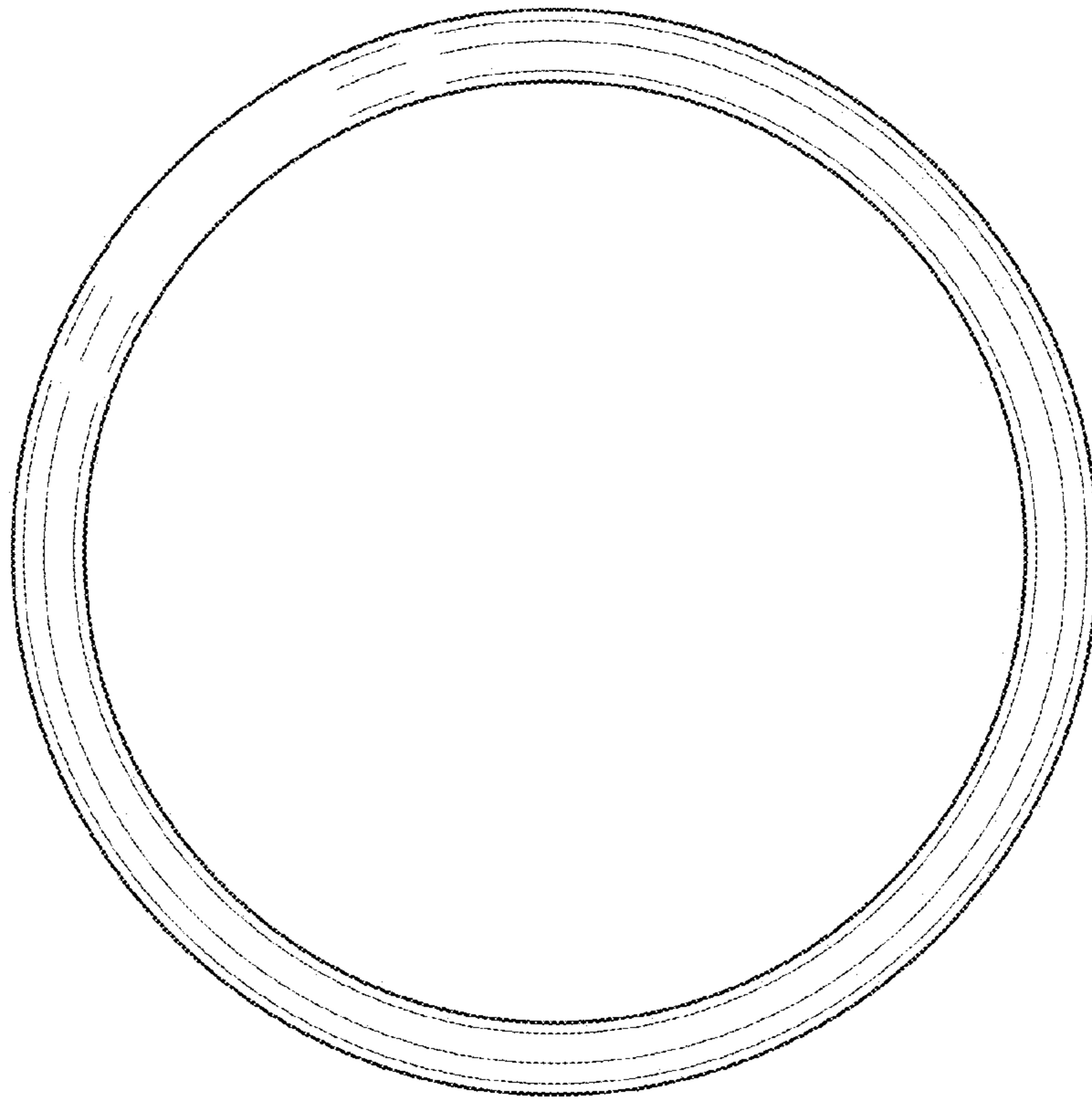


FIG. 7

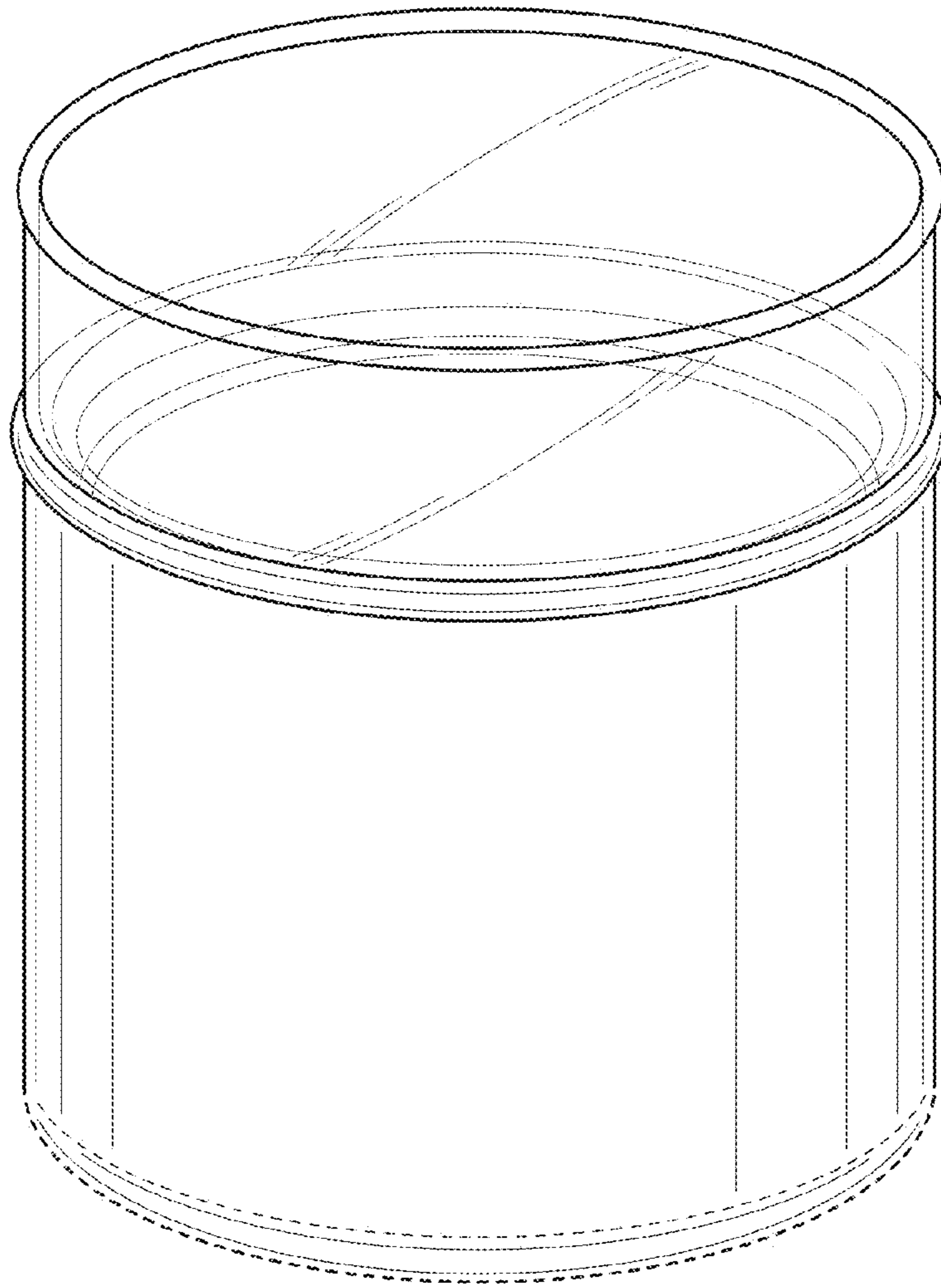


FIG. 8

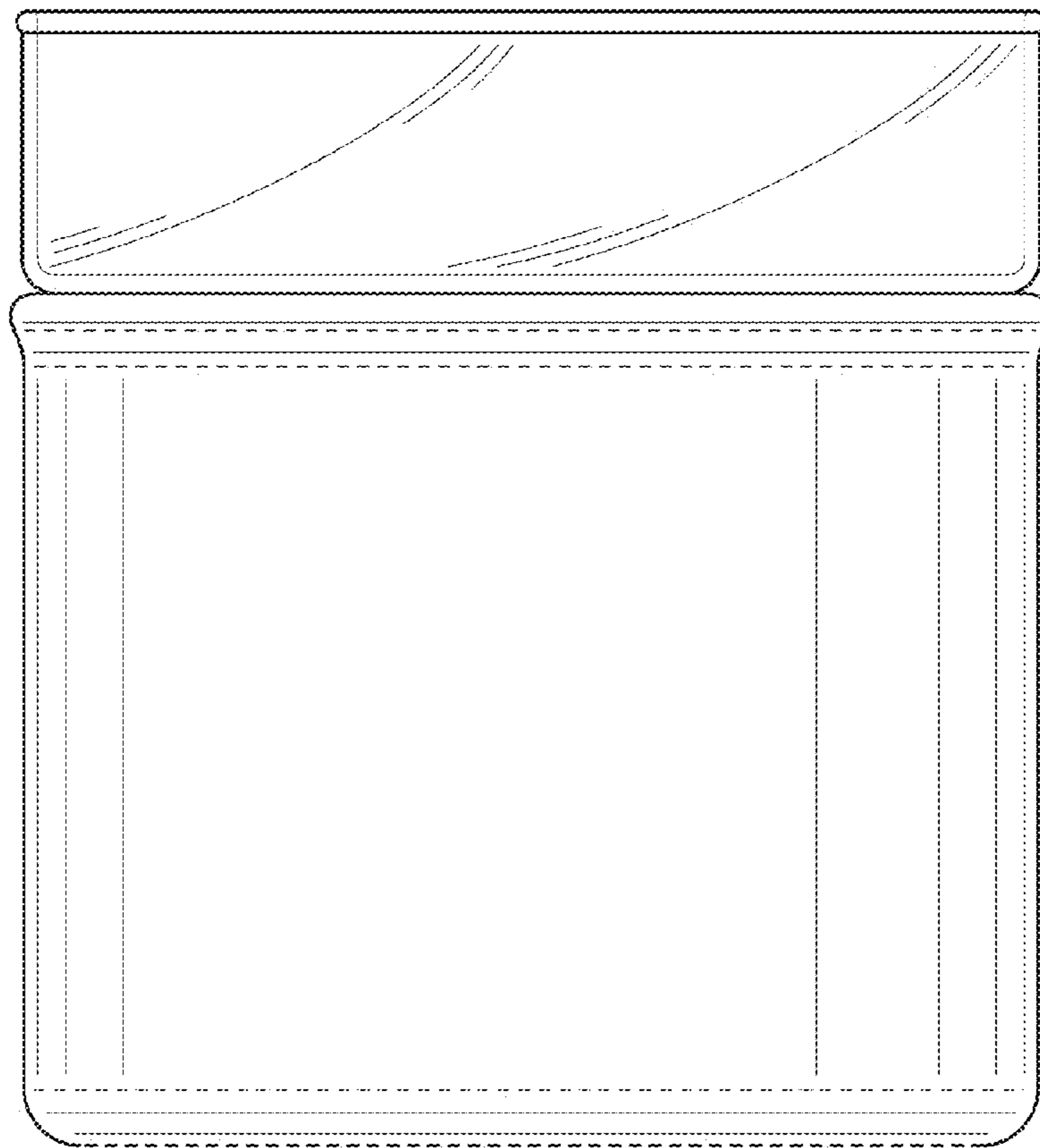


FIG. 9

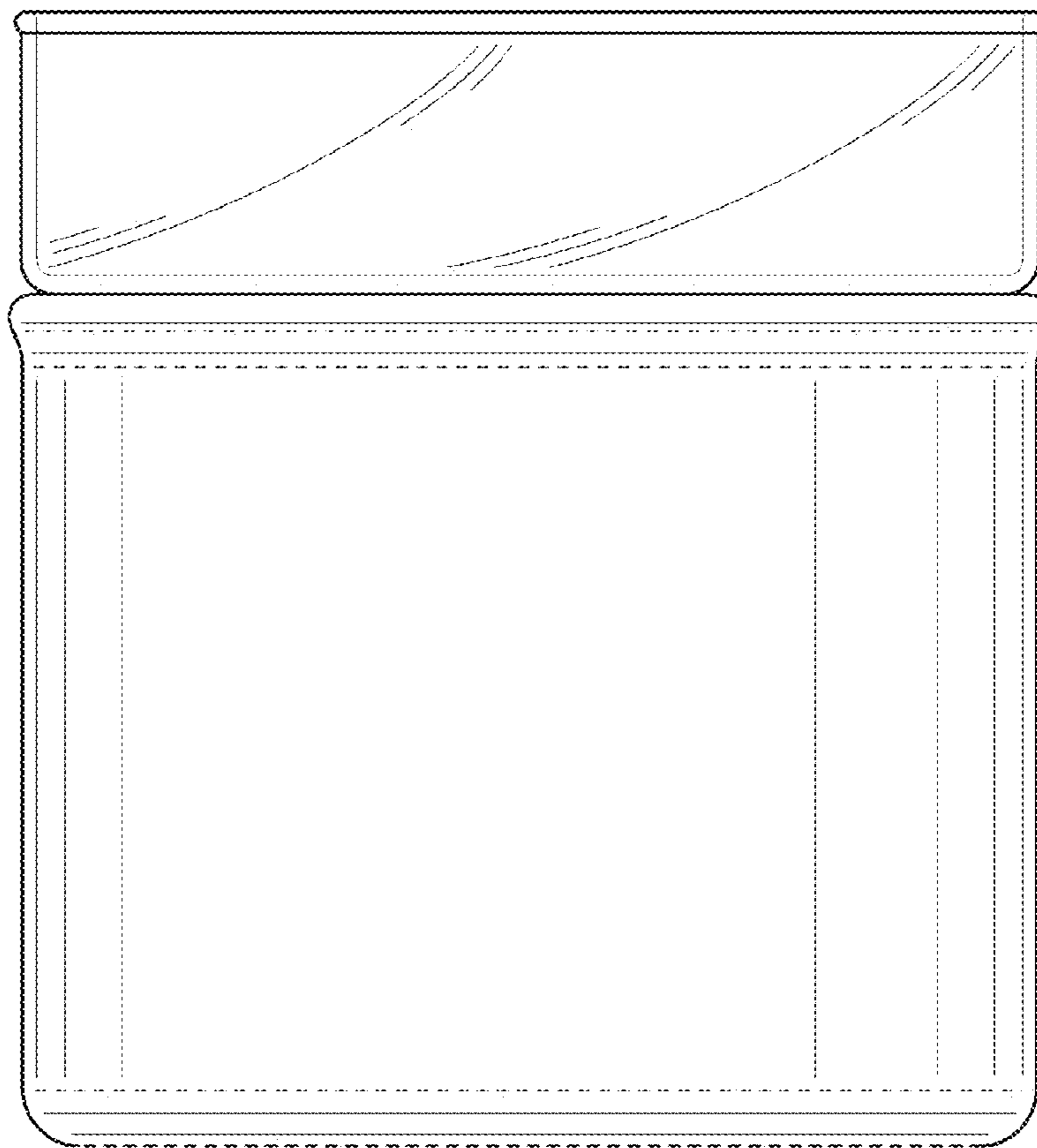


FIG. 10

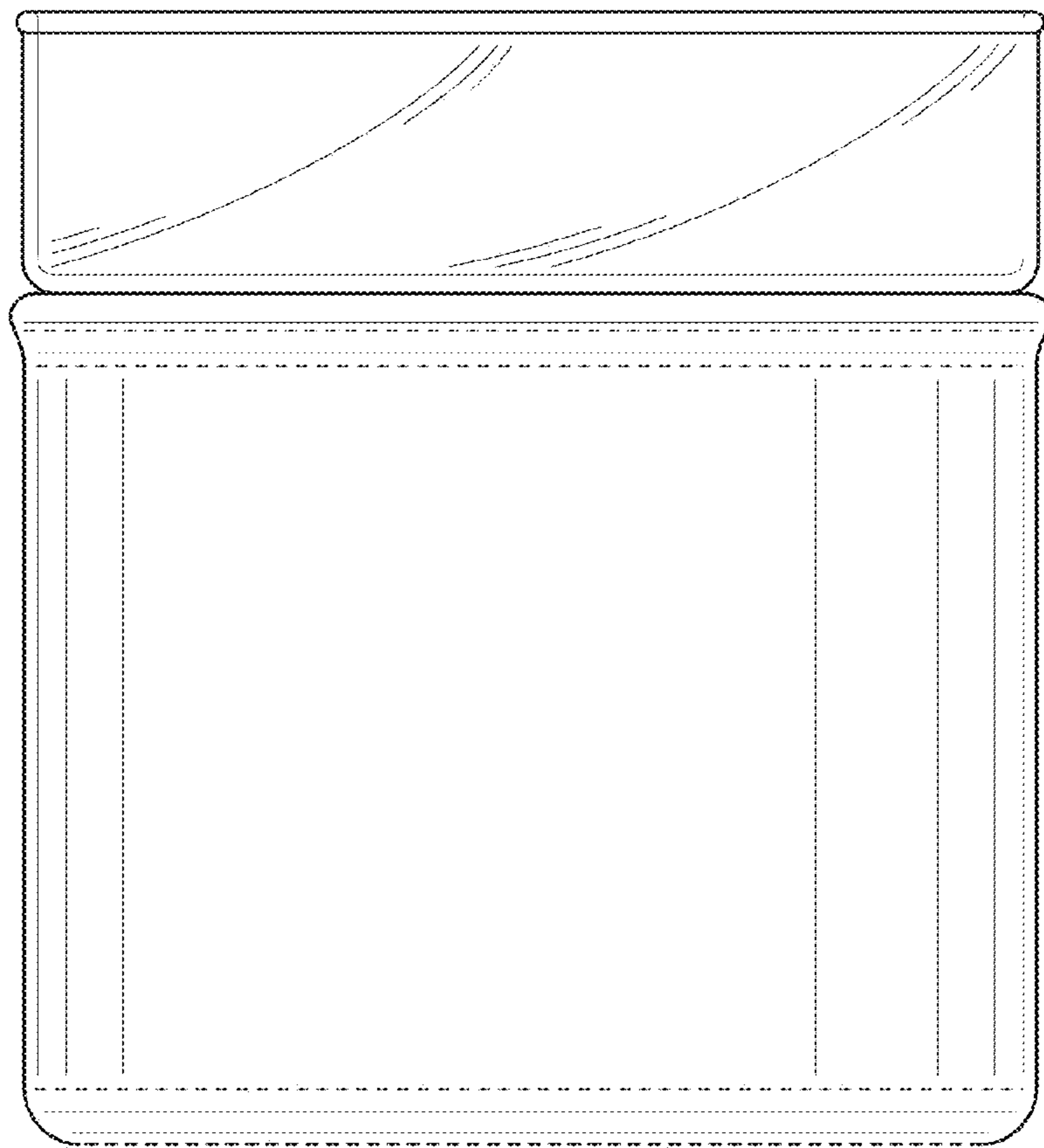


FIG. 11

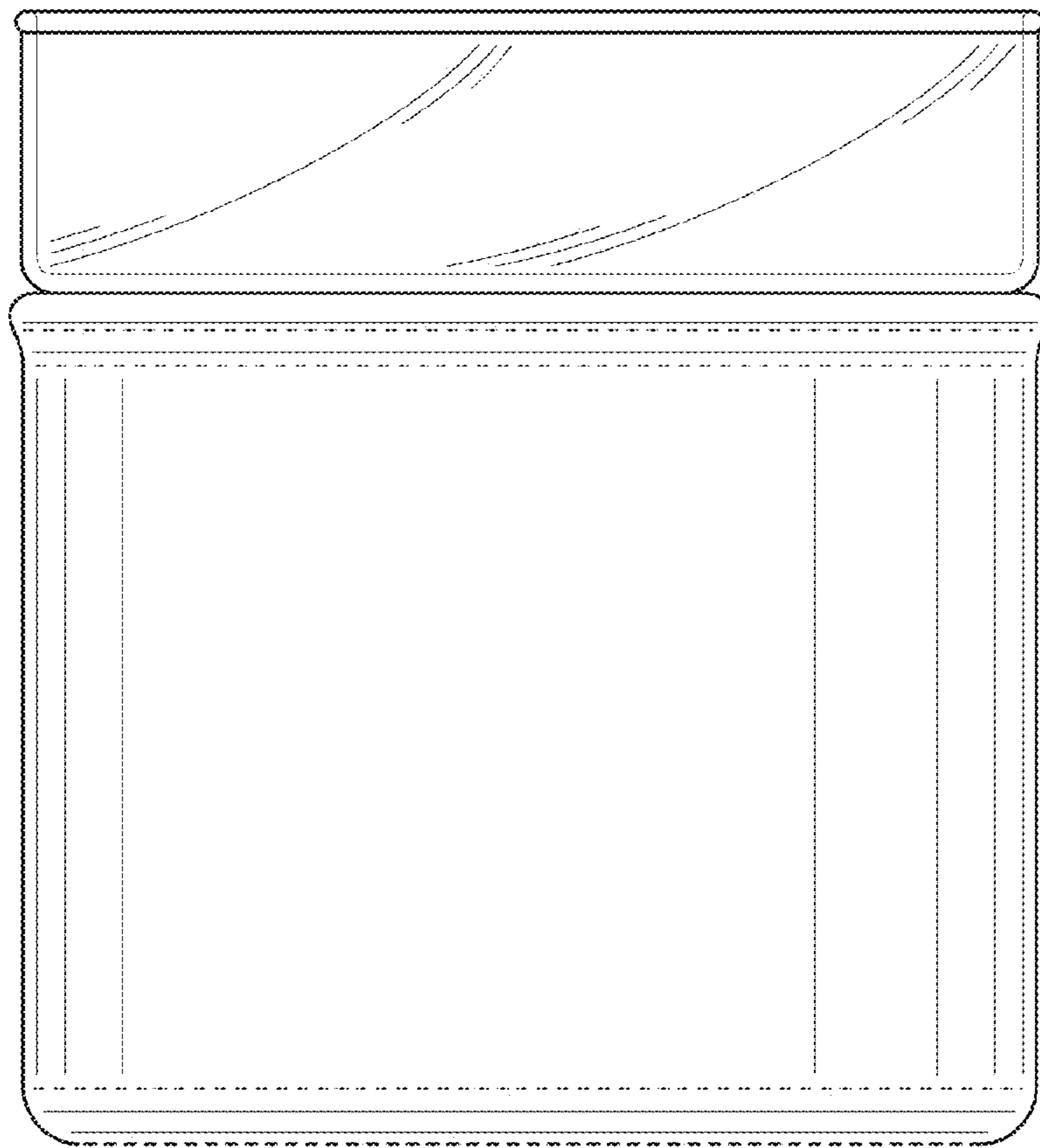


FIG. 12

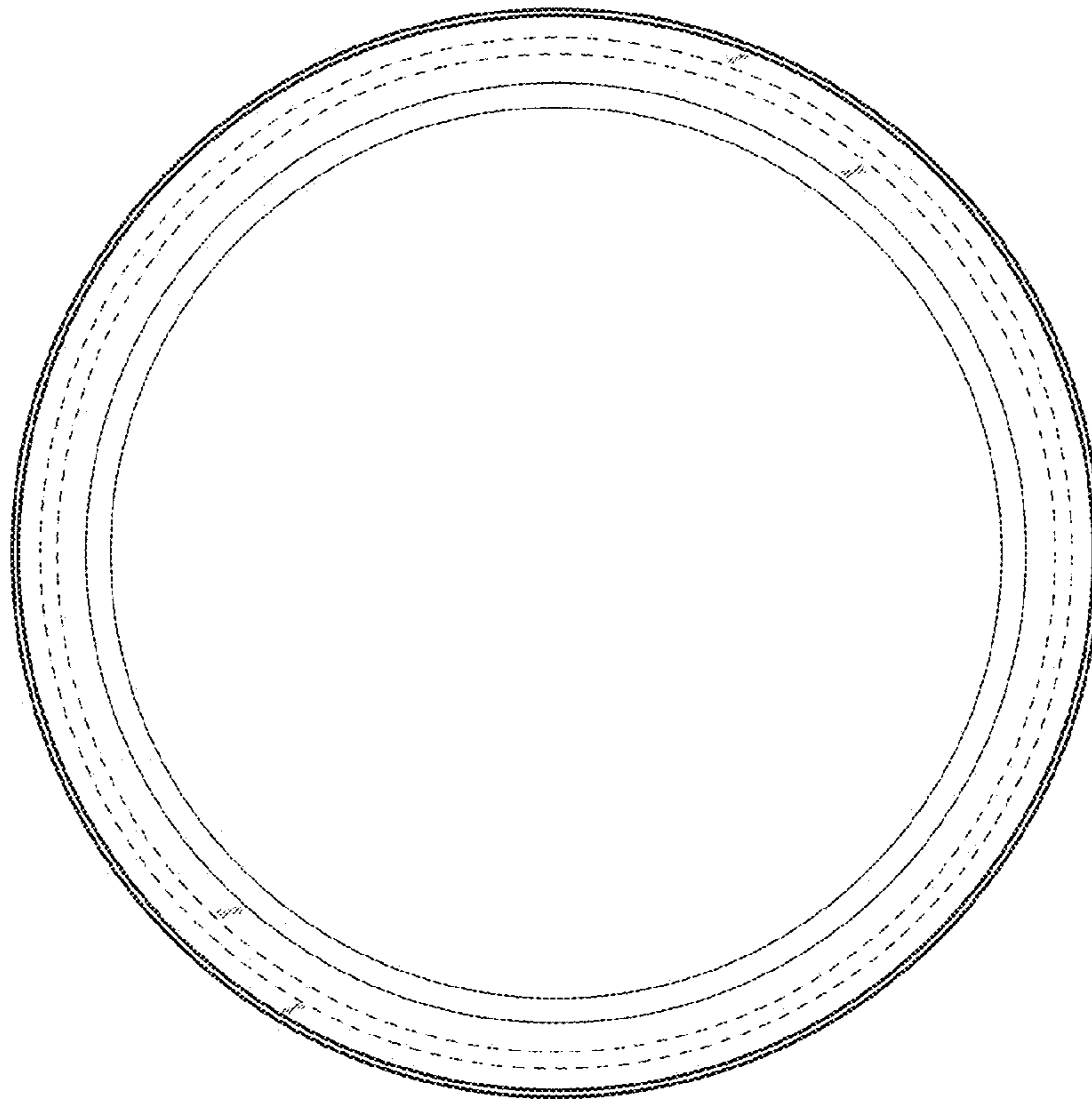


FIG. 13

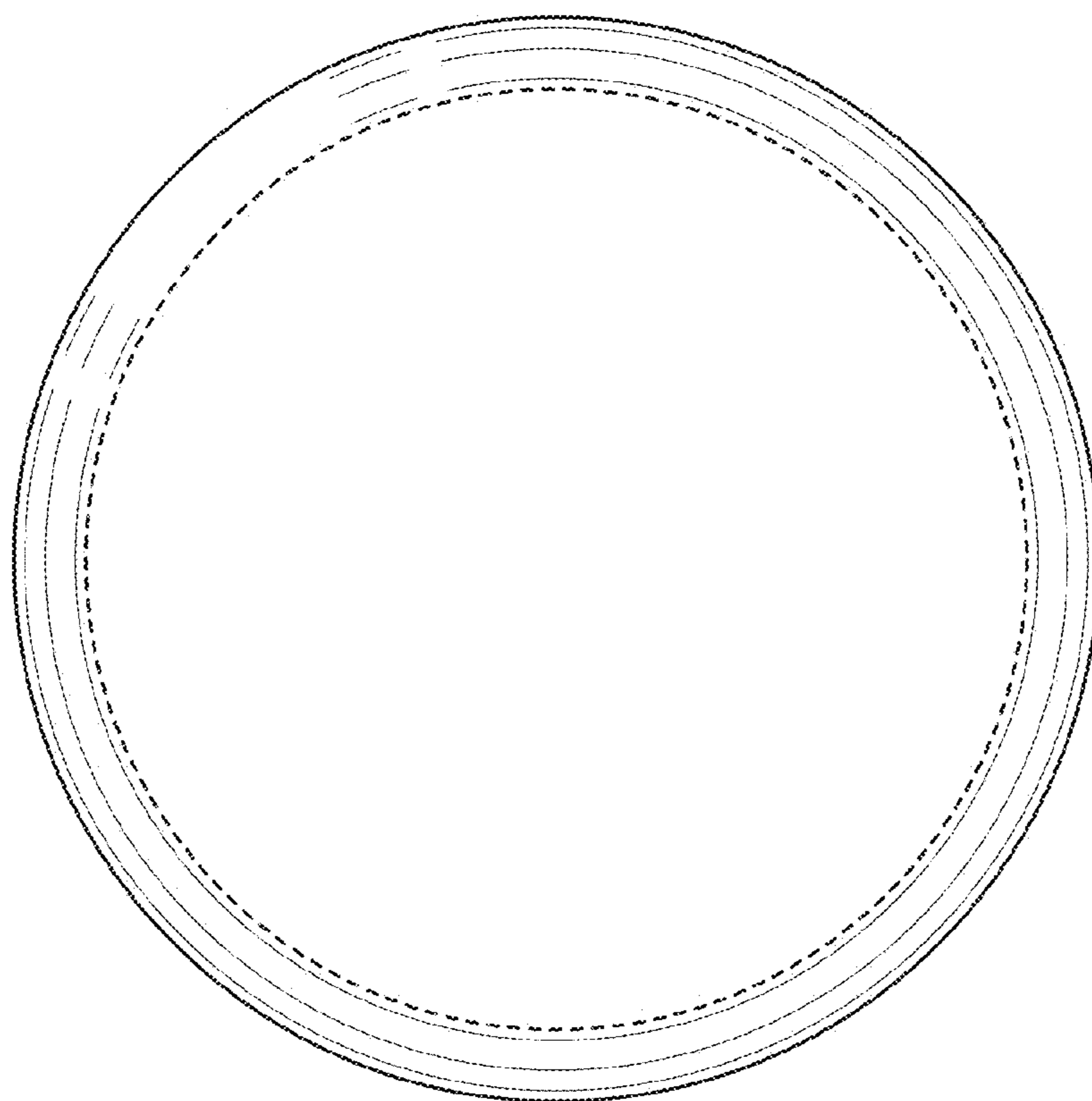


FIG. 14