



US00D76660S

(12) **United States Design Patent** (10) **Patent No.:** **US D766,660 S**  
**Laurain** (45) **Date of Patent:** **\*\* Sep. 20, 2016**

(54) **TABLEWARE MAT WITH CAR SHAPED RECEPTACLE**

(71) Applicant: **Lindsey Laurain**, Parker, CO (US)

(72) Inventor: **Lindsey Laurain**, Parker, CO (US)

(\*\*) Term: **15 Years**

(21) Appl. No.: **29/534,427**

(22) Filed: **Jul. 28, 2015**

(51) **LOC (10) Cl.** ..... **07-01**

(52) **U.S. Cl.**  
USPC ..... **D7/506; D7/544; D7/553.4; D7/551.1; D7/556; D30/130**

(58) **Field of Classification Search**  
USPC ..... D7/573, 555, 544, 556, 553.4, 553.8, D7/553.5, 699, 506, 551.1, 551.3; D30/130; 206/505; D6/406.3; 220/23.86; D9/675  
CPC ..... A47G 23/03; A47G 27/025; B65D 21/00  
See application file for complete search history.

(56) **References Cited**

U.S. PATENT DOCUMENTS

- 204,740 A \* 6/1878 Johnson ..... B43L 1/06 15/209.1
- 1,583,547 A \* 5/1926 Greenberg ..... A47G 23/03 160/230
- D152,312 S \* 1/1949 Zeisel ..... D7/555
- D162,013 S \* 2/1951 Day ..... D7/555
- D167,735 S \* 9/1952 Ashway ..... D7/556

- D187,735 S \* 4/1960 Kopka ..... D12/212
- D209,849 S \* 1/1968 Farril ..... D32/57
- D226,830 S \* 5/1973 Bridges ..... D7/553.5
- D229,073 S \* 11/1973 Brickel ..... 119/61.5
- D229,601 S \* 12/1973 Casey et al. .... D7/553.5
- D241,106 S \* 8/1976 Krieger et al. .... D7/551.1
- D242,515 S \* 11/1976 Shumrak et al. .... D7/553.5
- D259,669 S \* 6/1981 Peterson ..... D30/130
- D284,154 S \* 6/1986 Blake ..... D7/524
- D309,684 S \* 8/1990 Kohler ..... D12/133
- D473,939 S \* 4/2003 Hantke ..... D24/124
- D516,382 S \* 3/2006 King ..... D7/553.8
- 7,172,072 B2 \* 2/2007 Schiltz ..... B65D 1/36 206/457
- D541,488 S \* 4/2007 Marsh ..... D30/130
- D562,078 S \* 2/2008 Herssein ..... D7/500
- D664,405 S \* 7/2012 Chen ..... D7/698
- D722,407 S \* 2/2015 Roslonski ..... D30/130
- D745,327 S \* 12/2015 Laurain ..... D6/614

\* cited by examiner

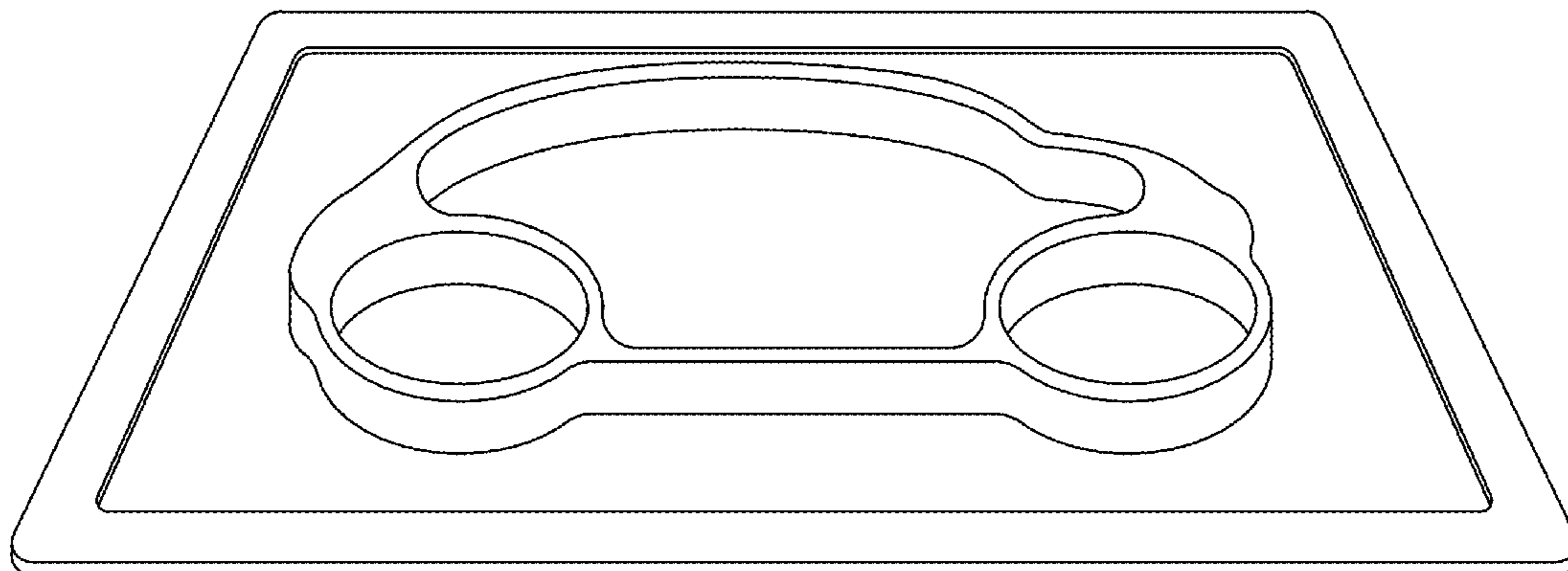
*Primary Examiner* — Marianne Pandozzi  
(74) *Attorney, Agent, or Firm* — Williams Intellectual Property; Benjamin F. Williams

(57) **CLAIM**  
The ornamental design for a tableware mat with car shaped receptacle, as shown and described.

**DESCRIPTION**

FIG. 1 is a perspective view of a tableware mat with car shaped receptacle; and, FIG. 2 is a top view of the tableware mat with car shaped receptacle.

**1 Claim, 2 Drawing Sheets**



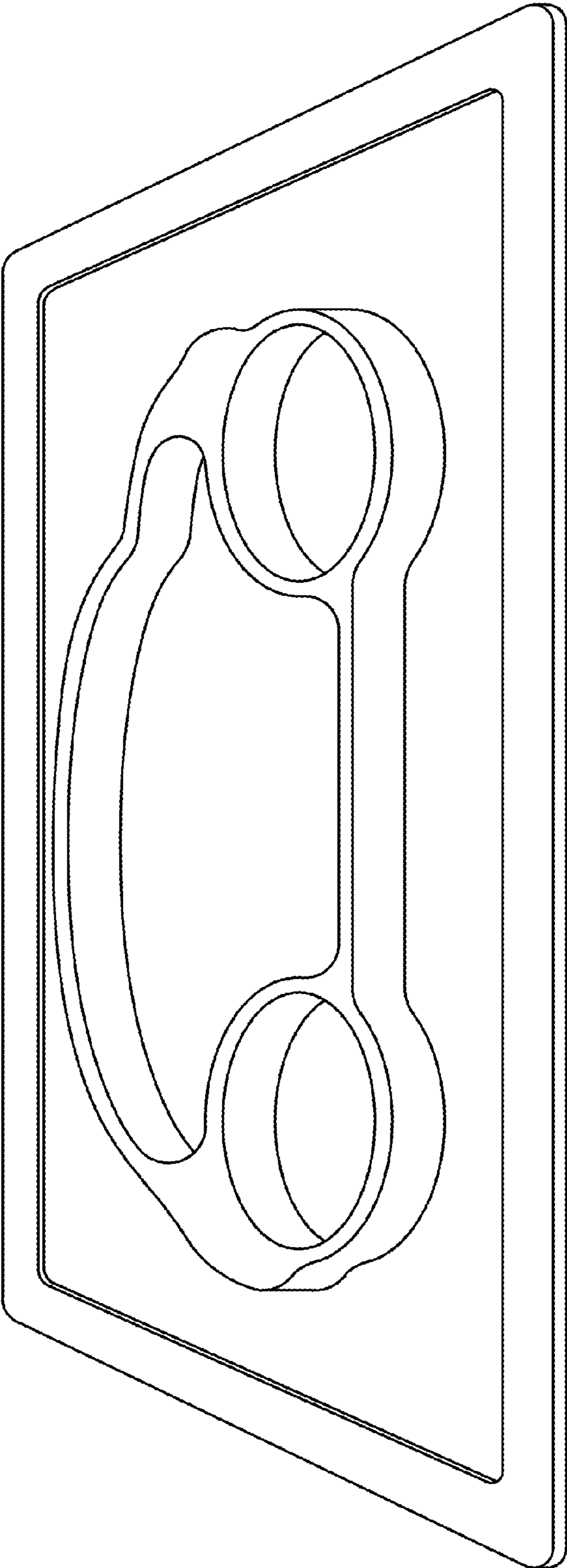


Fig. 1

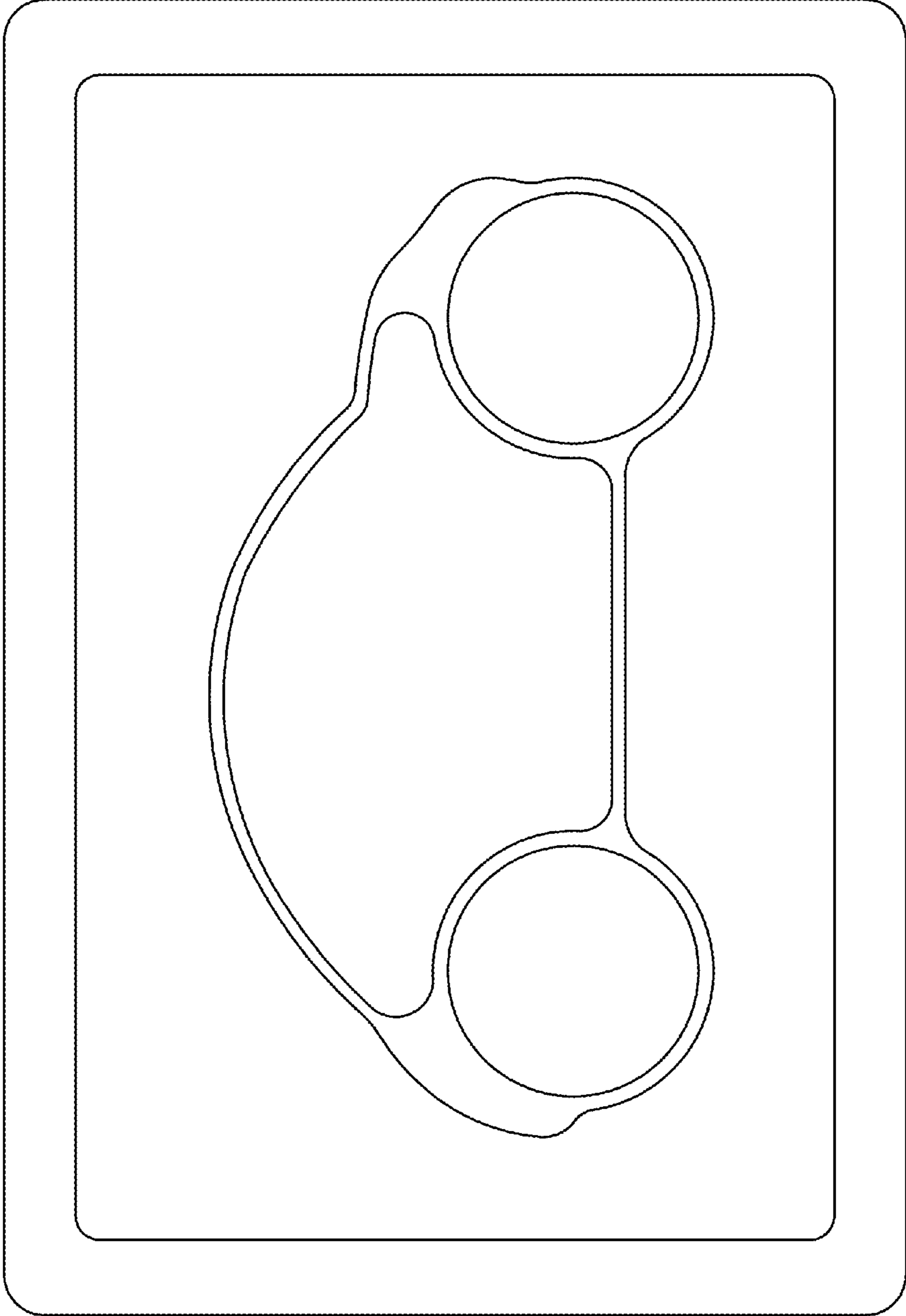


Fig. 2