



US00D766657S

(12) **United States Design Patent**
Bergese

(10) **Patent No.: US D766,657 S**

(45) **Date of Patent: ** *Sep. 20, 2016**

- (54) **MICROWAVE OVEN**
- (71) Applicant: **Panasonic Intellectual Property Management Co., Ltd., Osaka (JP)**
- (72) Inventor: **Enrico Bergese, Shiga (JP)**
- (73) Assignee: **Panasonic Intellectual Property Management Co., Ltd., Osaka (JP)**

D633,329 S *	3/2011	Baek	D7/351
D673,417 S *	1/2013	Lee	D7/351
D693,167 S *	11/2013	Kim	D7/351
D704,983 S *	5/2014	Yoon	D7/351
D705,008 S *	5/2014	Shin	D7/405
D705,591 S *	5/2014	Lee	D7/351
D741,639 S *	10/2015	Kim	D7/351
D750,431 S *	3/2016	Bergese	D7/405

- (*) Notice: This patent is subject to a terminal disclaimer.
- (**) Term: **14 Years**

FOREIGN PATENT DOCUMENTS

AU	315129	7/2007
CN	200930681501.0	9/2010
CN	201030537725.7	3/2011
CN	201030537781.0	3/2011

* cited by examiner

- (21) Appl. No.: **29/514,879**
- (22) Filed: **Jan. 16, 2015**
- (51) **LOC (10) Cl. 07-02**
- (52) **U.S. Cl.**
USPC **D7/405**
- (58) **Field of Classification Search**
USPC D7/402, 403-408, 351, 350.4,
D7/350.1-350.3, 323, 339-340, 346-349
CPC .. H05B 6/763; H05B 6/6414; H05B 6/6408;
Y02B 40/14; Y02B 40/143; Y02B 40/146;
F24C 15/02; F24C 1/00; F24C 14/00; F24C
3/00; F24C 5/00; F24C 7/00
See application file for complete search history.

Primary Examiner — Sheryl Lane
Assistant Examiner — Nicole Shiflet

(74) *Attorney, Agent, or Firm* — Panasonic IP Management; Kerry S. Culpepper

(56) **References Cited**
U.S. PATENT DOCUMENTS

D329,353 S *	9/1992	Yamada	D7/351
D461,365 S *	8/2002	Hessen	D7/405
D579,270 S	10/2008	Green et al.	
D586,173 S	2/2009	Kim	
D599,163 S *	9/2009	Oomae	D7/351
D633,326 S *	3/2011	Shin	D7/351

(57) **CLAIM**

I claim the ornamental design for a microwave oven, as shown and described.

DESCRIPTION

FIG. 1 is a front perspective view of a microwave oven of the present invention;
 FIG. 2 is a front view thereof;
 FIG. 3 is a top view thereof;
 FIG. 4 is a bottom view thereof;
 FIG. 5 is a left side view thereof; and,
 FIG. 6 is a right side view thereof.
 The broken line showing of microwave oven is included for the purpose of illustrating environment and forms no part of the claimed design.

1 Claim, 6 Drawing Sheets

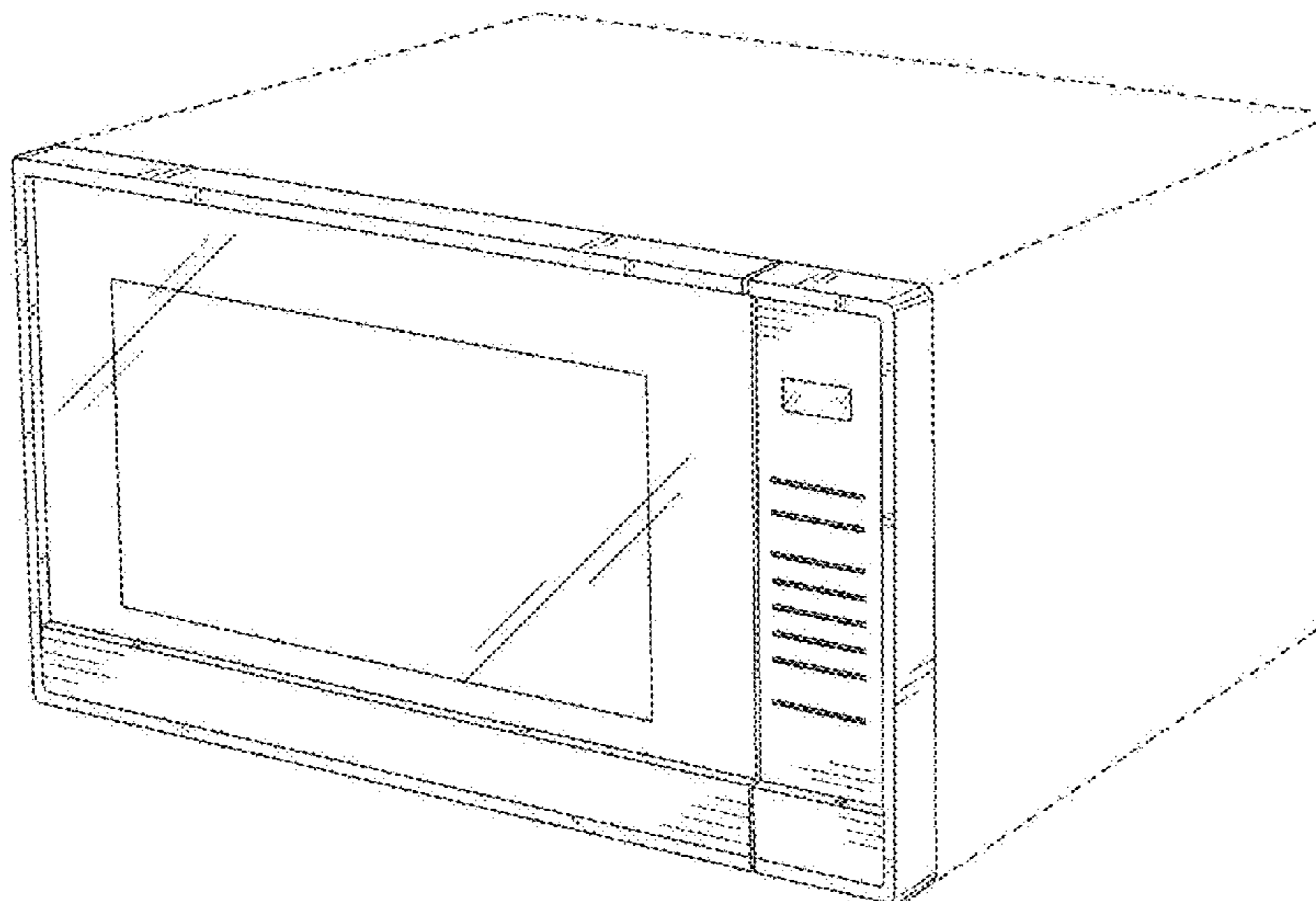


FIG. 1

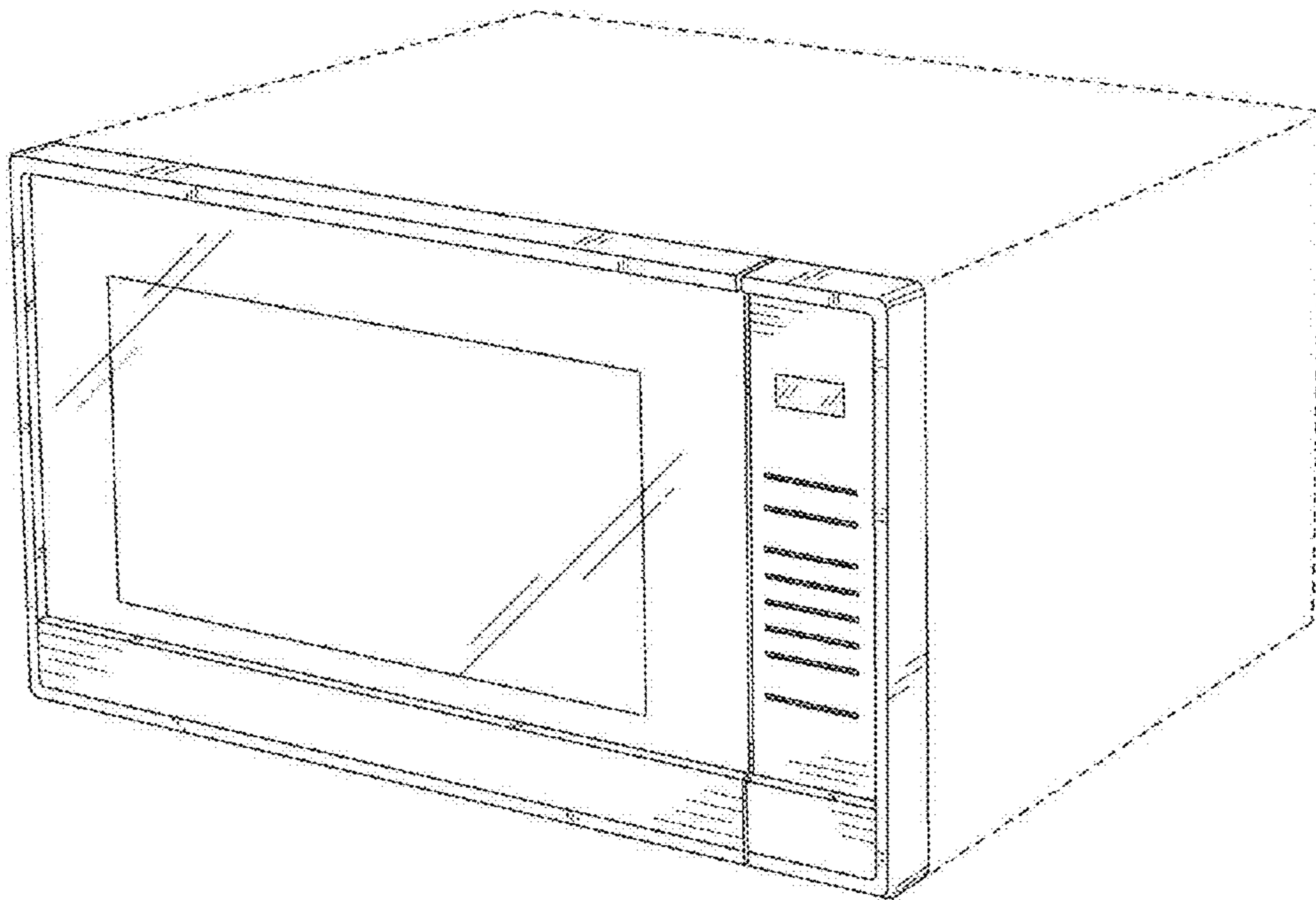


FIG. 2

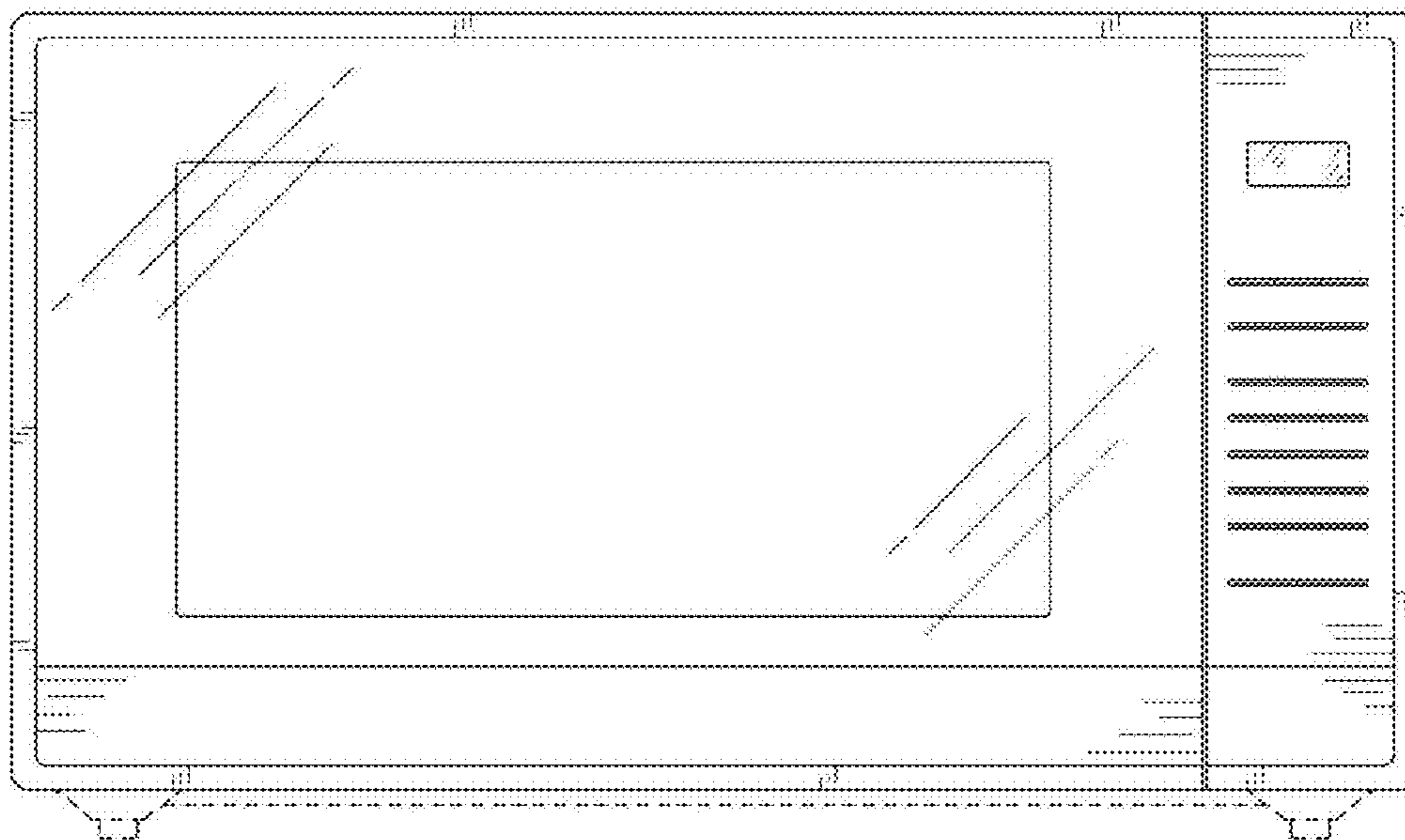


FIG. 3

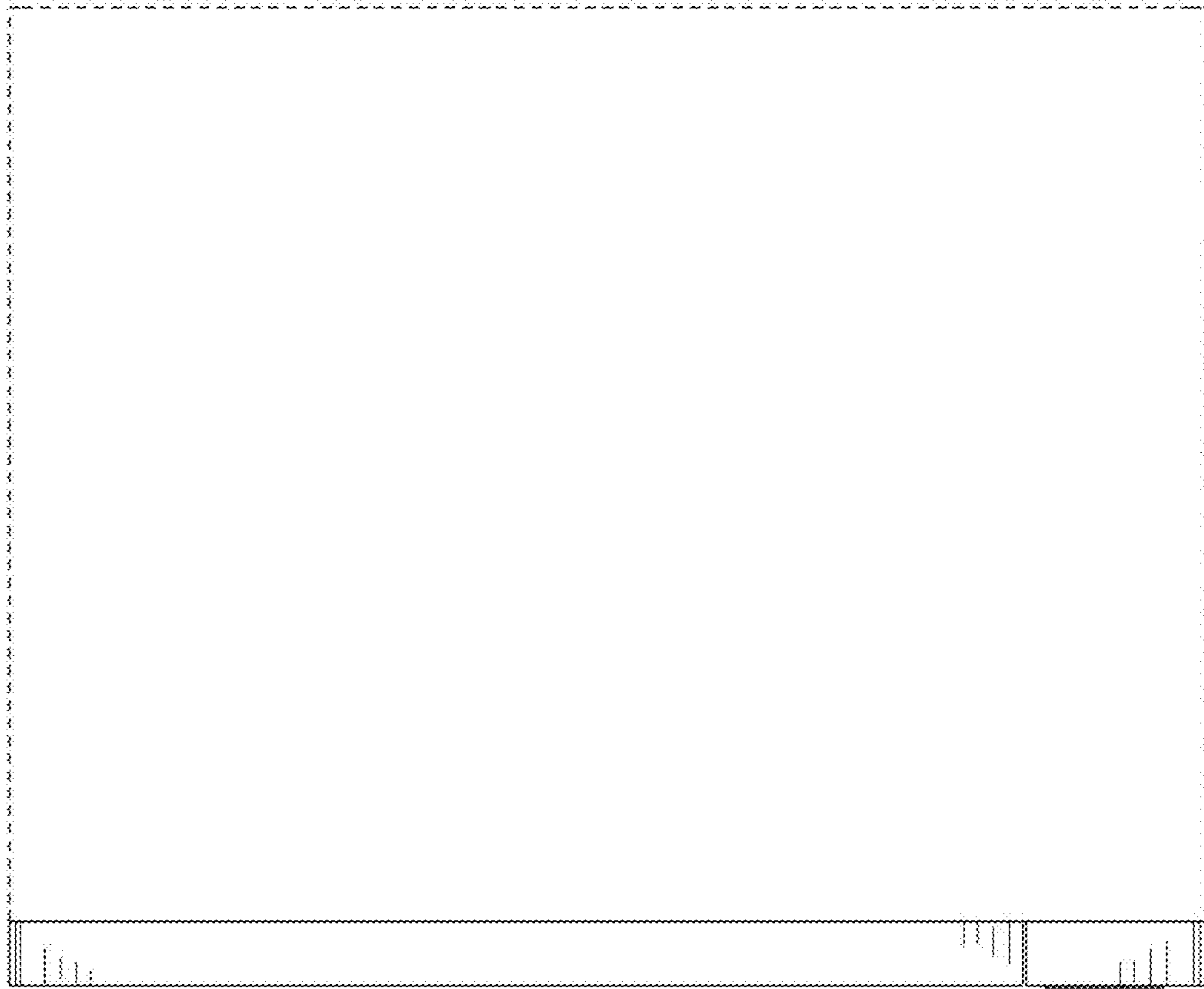


FIG. 4

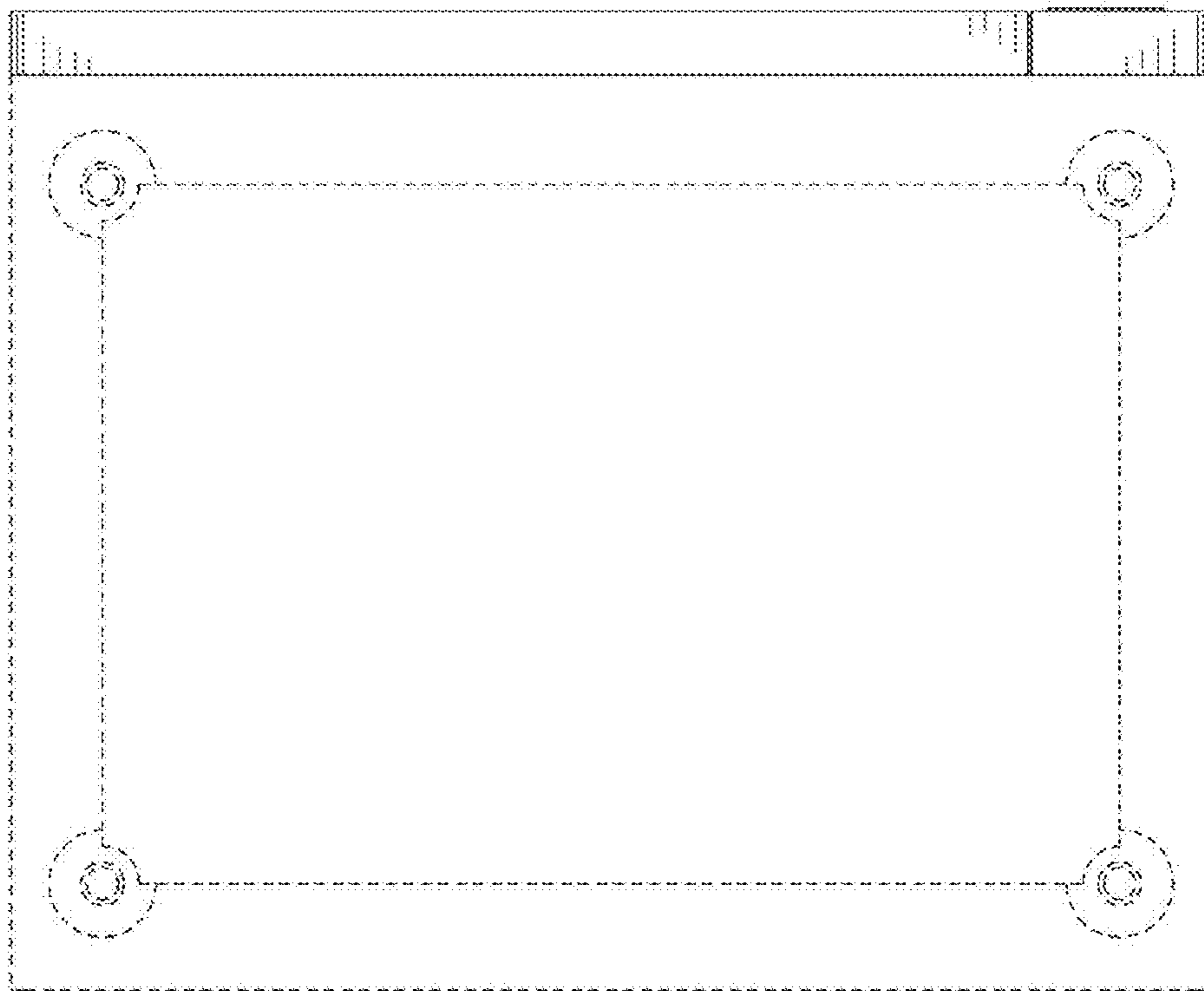


FIG. 5

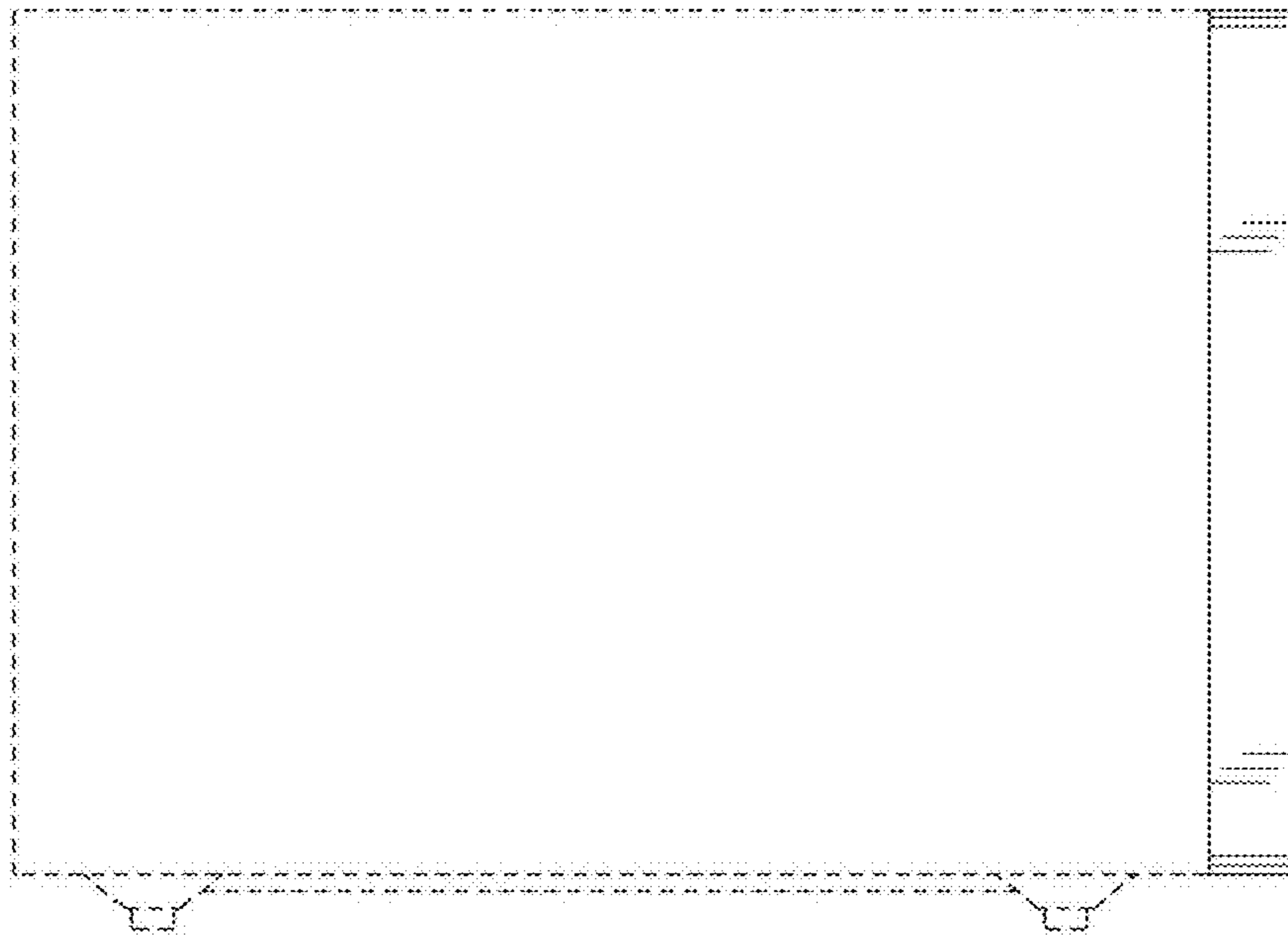


FIG. 6

