



US00D766656S

(12) **United States Design Patent** (10) **Patent No.:** **US D766,656 S**
Mac Innis et al. (45) **Date of Patent:** **** Sep. 20, 2016**

(54) **FILTER**
(71) Applicant: **8479950 CANADA INC.**, Montreal (CA)
(72) Inventors: **Lisa Mac Innis**, Montreal (CA); **Edward Ko**, Montreal (CA)
(73) Assignee: **8479950 CANADA INC.**, Montreal (CA)
(**) Term: **14 Years**
(21) Appl. No.: **29/519,471**

5,287,796 A 2/1994 Timm
D349,211 S * 8/1994 Cerato D7/400
5,417,906 A * 5/1995 Chiodo B01D 29/111
D29/111
5,536,393 A 7/1996 Weeks
D376,231 S * 12/1996 McLain D32/37
5,605,710 A 2/1997 Pridonoff et al.
D392,782 S * 3/1998 McLain D32/37
5,770,075 A 6/1998 Geoffroy
5,778,764 A 7/1998 Nielsen
5,855,163 A 1/1999 DeMars
5,863,431 A 1/1999 Salzburg
D442,430 S 5/2001 Pope
6,260,476 B1 7/2001 Pope
D452,633 S 1/2002 Valkovich
D486,355 S 2/2004 Lyall, III
6,705,471 B2 3/2004 Kataoka

(Continued)

(22) Filed: **Mar. 5, 2015**
(51) **LOC (10) Cl.** **07-99**
(52) **U.S. Cl.**
USPC **D7/400**; D7/667; D23/209
(58) **Field of Classification Search**
USPC D7/400, 398, 399, 667, 700; D11/154,
D11/152; D3/304, 306; D23/209; 99/279,
99/316, 303, 290, 323, 300, 295, 426;
D32/37; 210/477, 470
CPC A47J 31/00; A47J 31/44; A47J 31/057;
A47J 47/00; A47J 47/16; A47J 31/446;
B01D 29/111; B01D 23/28
See application file for complete search history.

FOREIGN PATENT DOCUMENTS

CA 2022401 2/1991
CA 2690323 12/2008

(Continued)

Primary Examiner — Marianne Pandozzi
(74) *Attorney, Agent, or Firm* — Fasken Martineau
DuMoulin LLP

(57) **CLAIM**
The ornamental design for a filter, as shown and described.

(56) **References Cited**

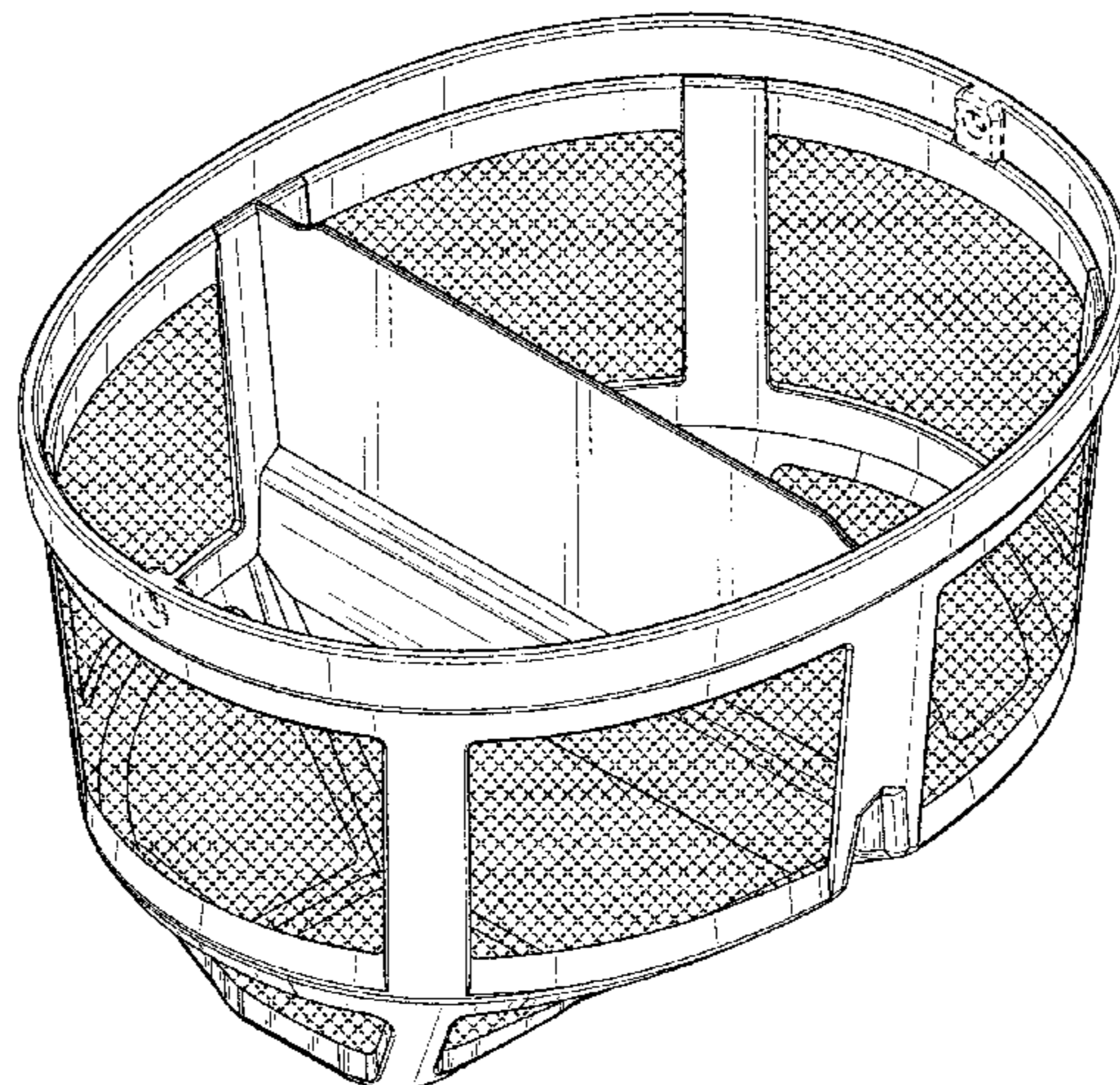
U.S. PATENT DOCUMENTS

3,985,069 A 10/1976 Cavalluzzi
4,075,105 A * 2/1978 Steiner B01D 23/28
D23/28
D253,082 S 10/1979 Moncrief
4,374,026 A 2/1983 Greutert
4,577,080 A 3/1986 Grossman
5,055,311 A 10/1991 Brauer, Jr. et al.
5,066,396 A * 11/1991 Rangel B01D 29/03
D29/3
D330,992 S * 11/1992 Kleek D7/399
5,259,295 A 11/1993 Timm
5,266,194 A 11/1993 Chiodo

DESCRIPTION

FIG. 1 is a perspective view of a filter according to our new design;
FIG. 2 is front elevation view thereof;
FIG. 3 is a rear elevation view thereof;
FIG. 4 is left side elevation view thereof;
FIG. 5 is a right side elevation view thereof;
FIG. 6 is a top plan view thereof; and,
FIG. 7 is a bottom plan view thereof.
The broken lines in the drawing depict portions of the filter that form no part of the claimed design.

1 Claim, 7 Drawing Sheets



(56)

References Cited

U.S. PATENT DOCUMENTS

D503,313 S * 3/2005 Shamoon D7/667
 D514,398 S 2/2006 Feil
 D569,176 S 5/2008 Bodum
 D577,253 S 9/2008 Bodum
 D593,795 S 6/2009 Tremblay
 D625,154 S * 10/2010 Bagley D7/667
 8,047,126 B2 11/2011 Doglioni Majer
 D654,766 S * 2/2012 Vaders D7/700
 D672,621 S * 12/2012 Eilmus D7/667
 D674,463 S 1/2013 Wilder et al.
 D674,464 S 1/2013 Wilder et al.
 D679,556 S * 4/2013 Chen D7/667
 D694,851 S 12/2013 Solakian

D697,378 S * 1/2014 Eilmus D7/667
 D720,960 S * 1/2015 Ko D7/400
 D731,863 S * 6/2015 Lee D7/667
 2002/0134727 A1 9/2002 Sordo
 2003/0183086 A1 10/2003 Eyrygnoux et al.
 2006/0169149 A1 8/2006 Voss et al.
 2007/0277677 A1 12/2007 Roberg
 2008/0245727 A1 10/2008 Muller
 2009/0136626 A1 5/2009 Mueller

FOREIGN PATENT DOCUMENTS

WO 0905501 5/1991
 WO 9111085 7/1991
 WO 03007766 1/2003

* cited by examiner

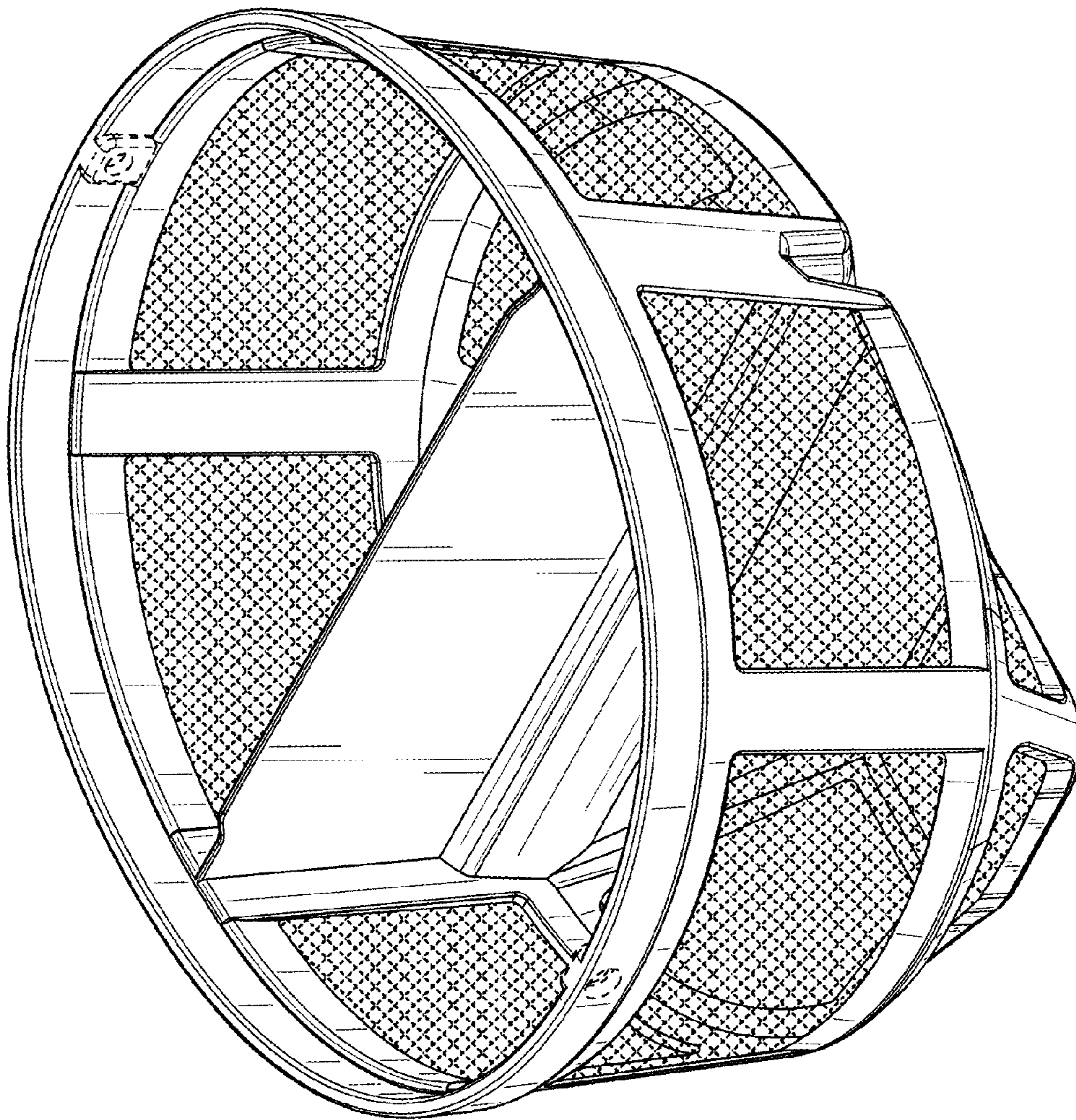


FIG. 1

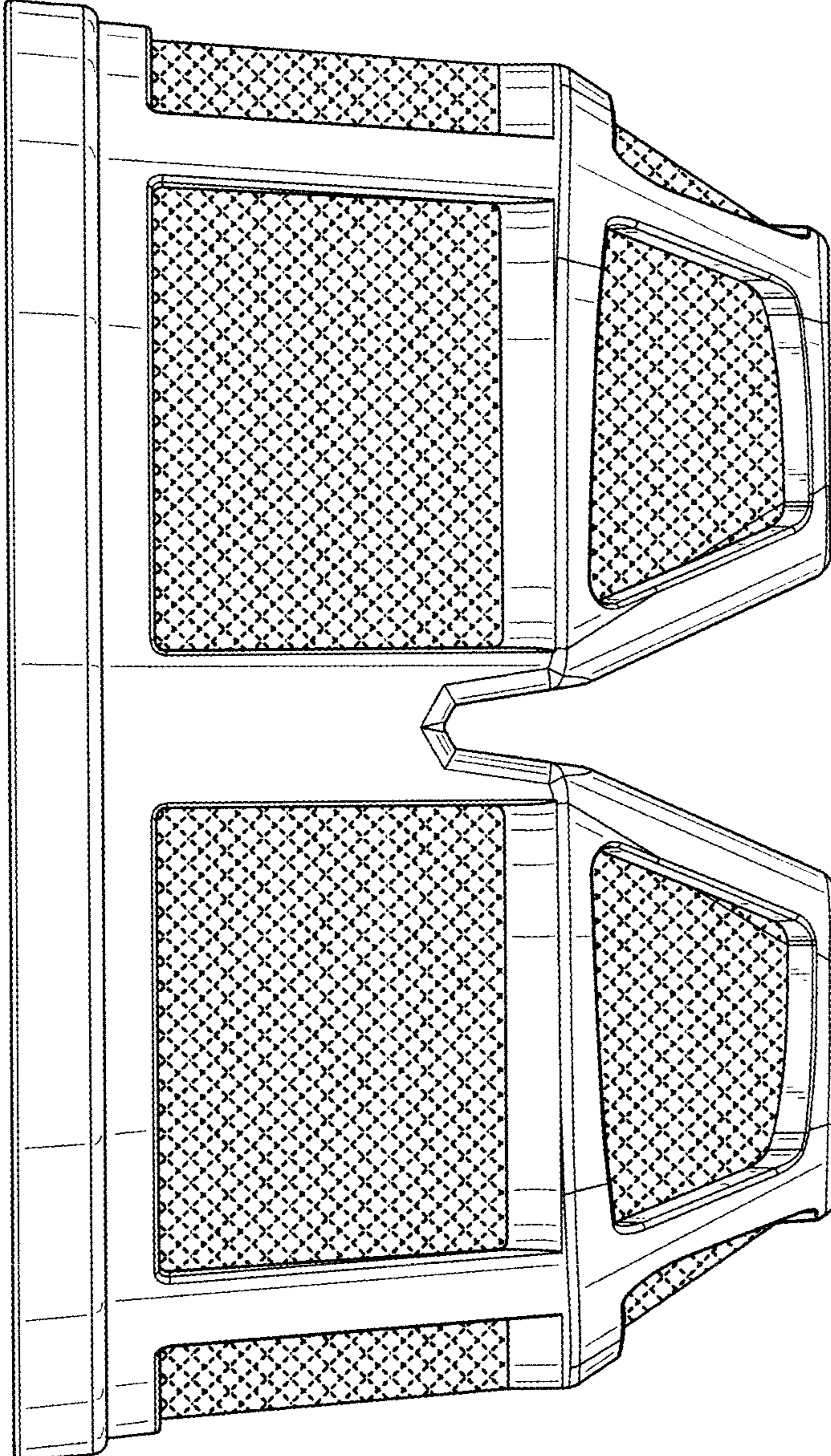


FIG. 2

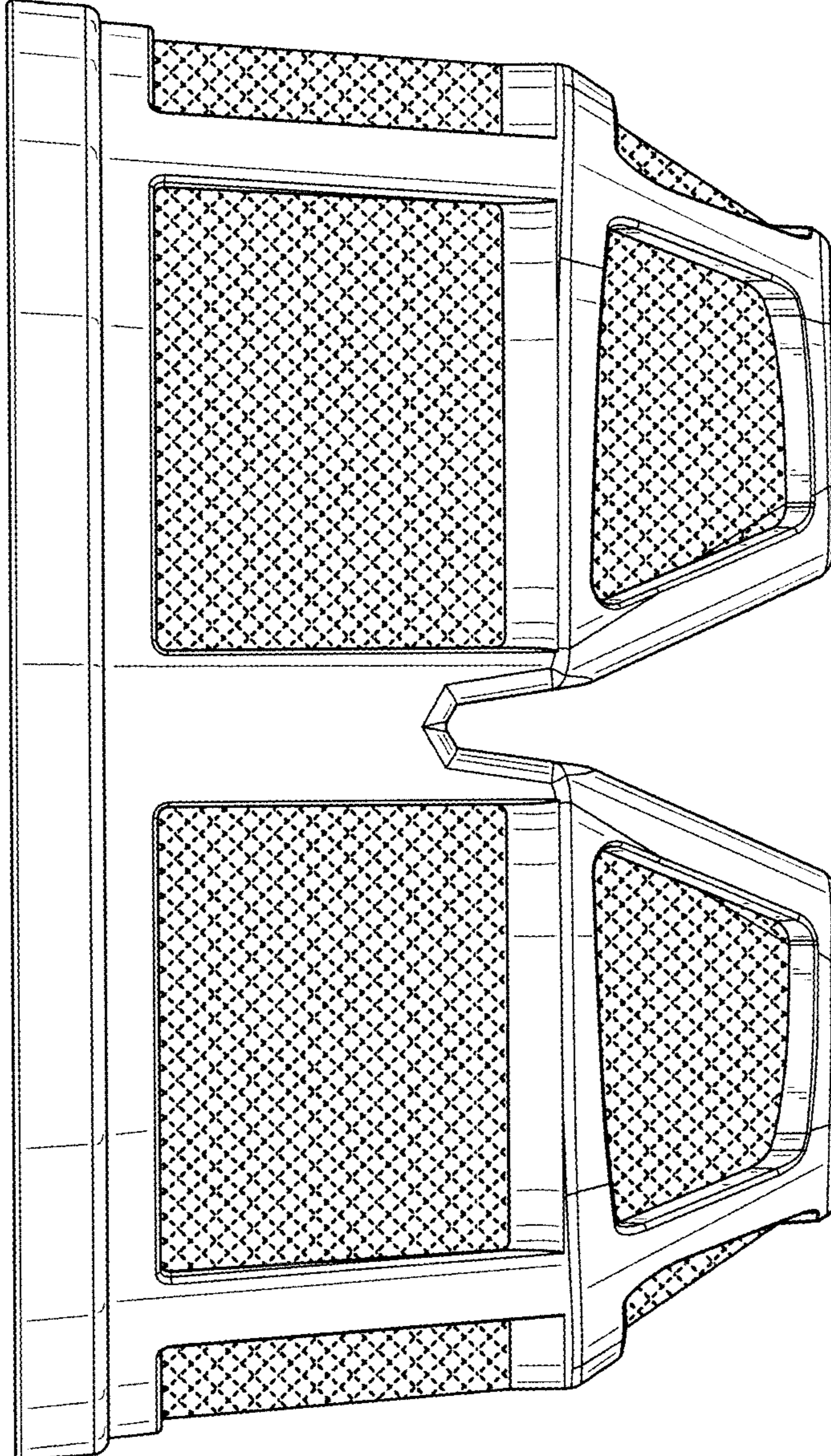


FIG. 3

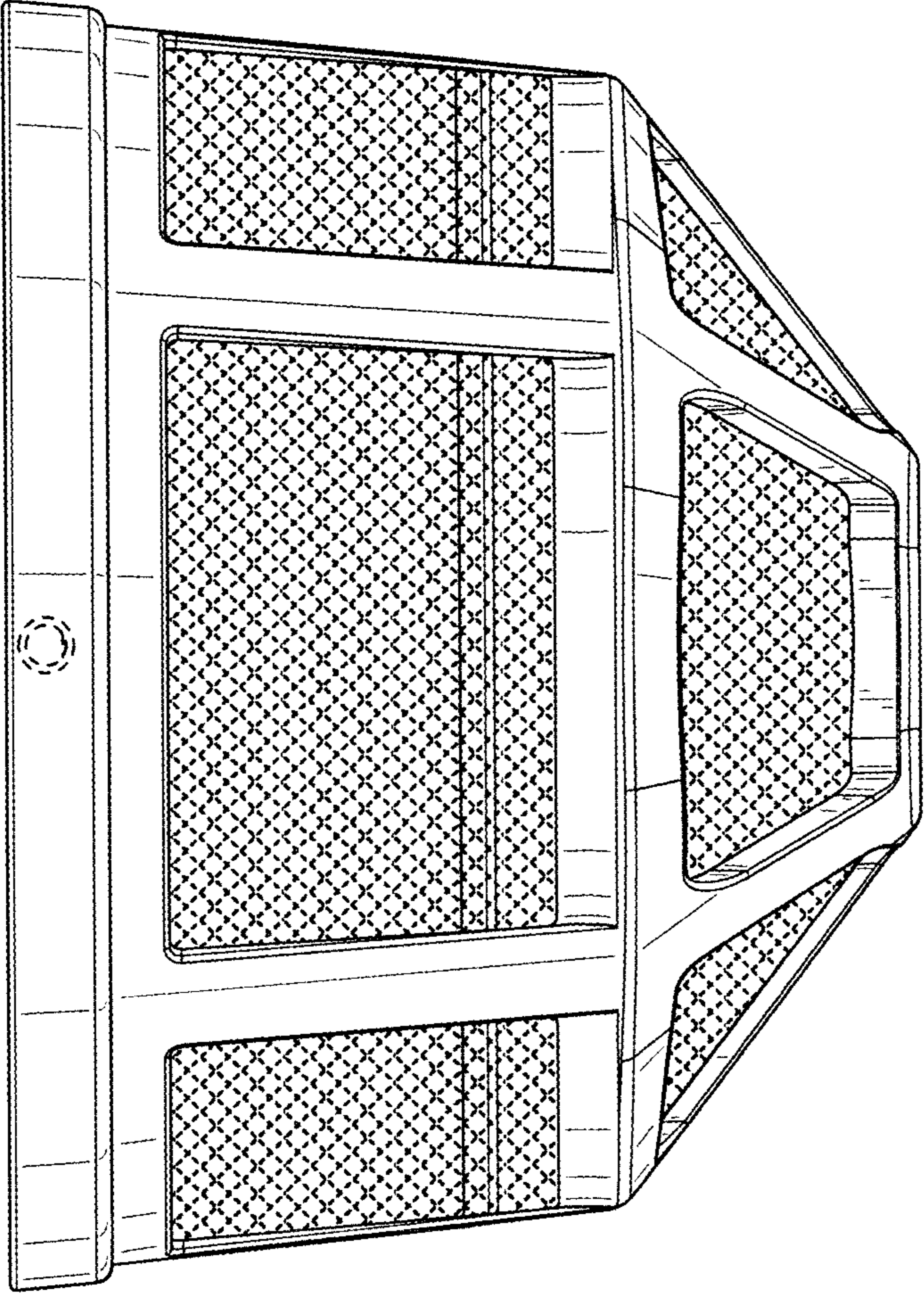


FIG. 4

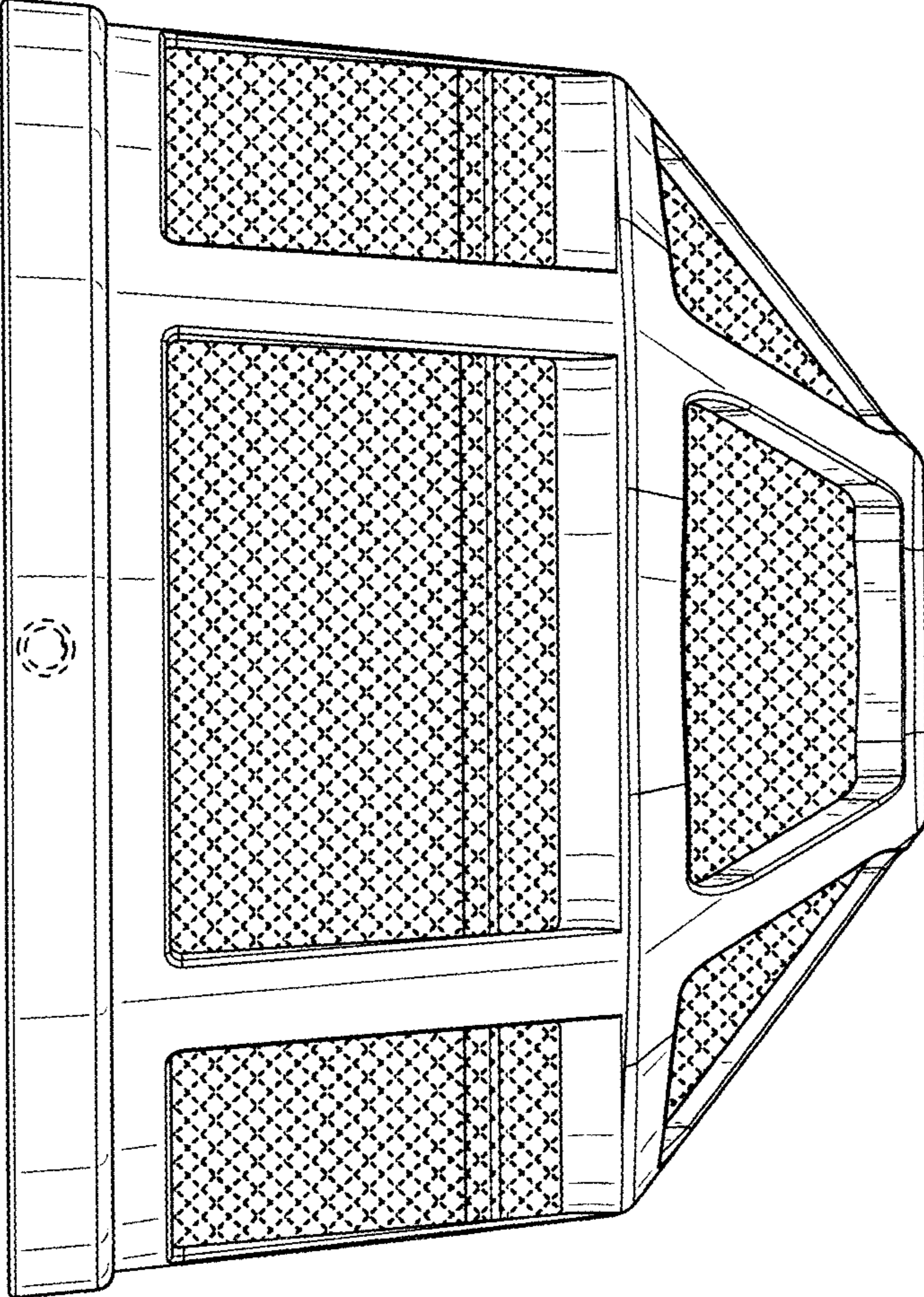


FIG. 5

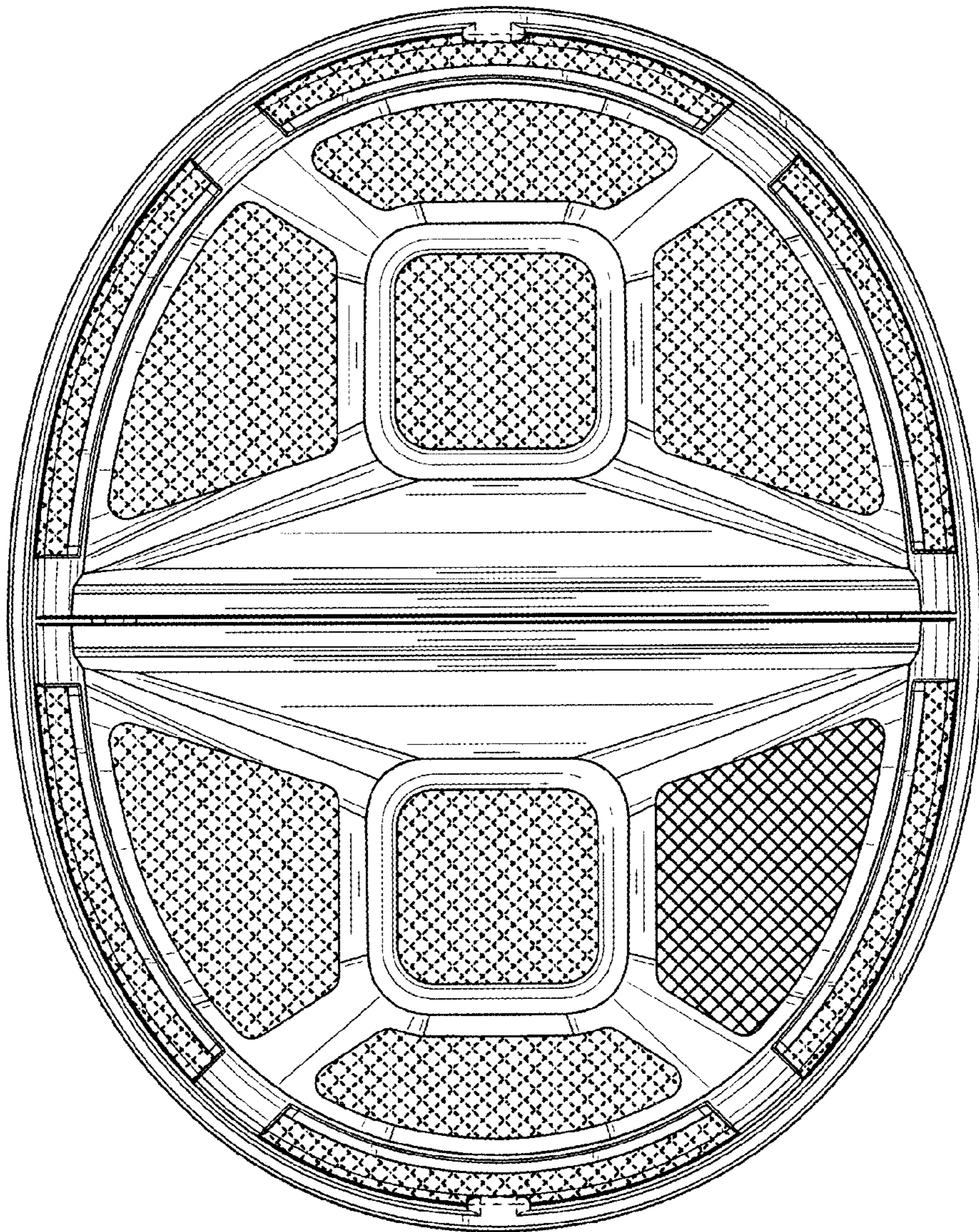


FIG. 6

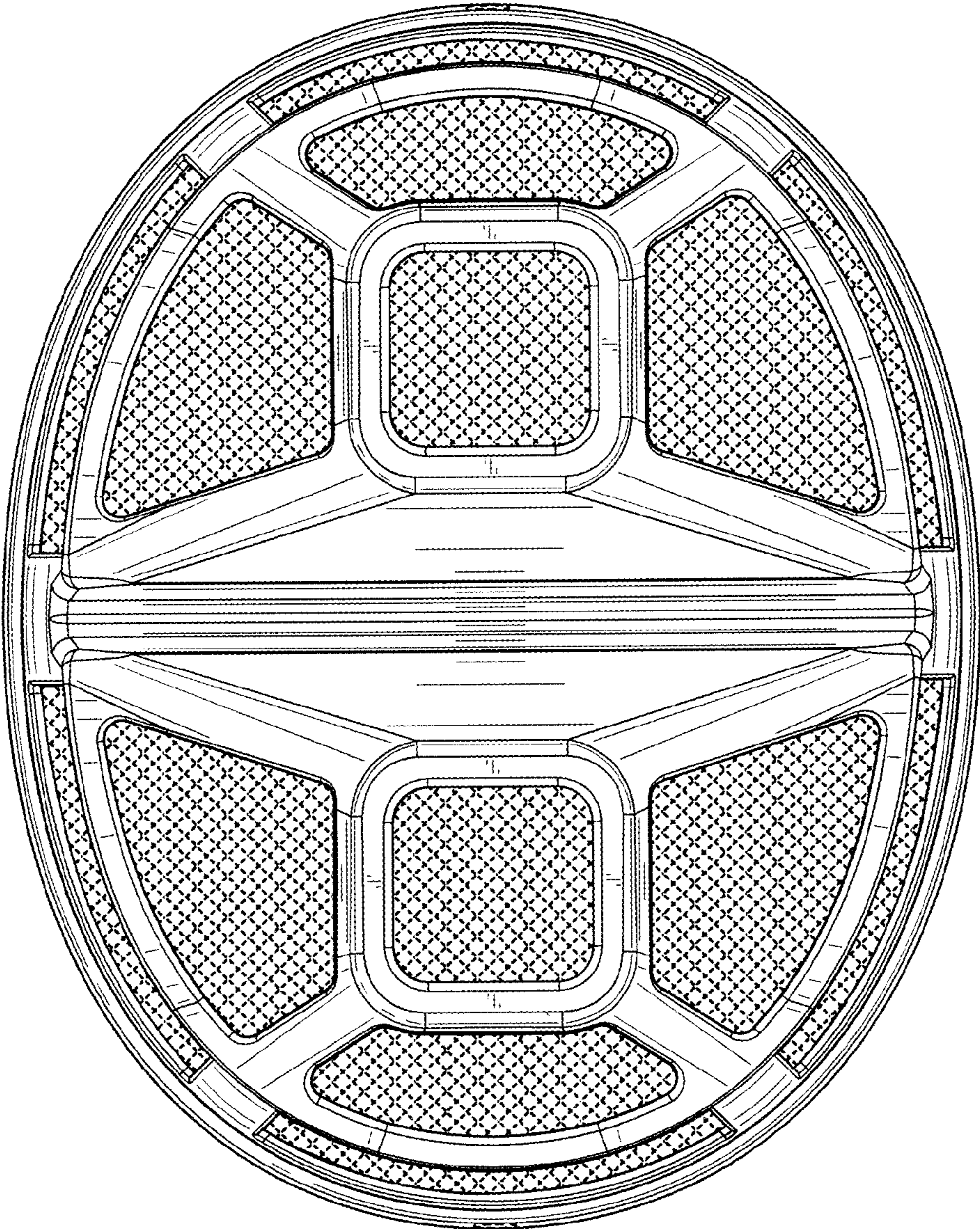


FIG. 7