

US00D766654S

(12) **United States Design Patent**  
**Forti et al.**

(10) **Patent No.:** **US D766,654 S**

(45) **Date of Patent:** **\*\* Sep. 20, 2016**

(54) **BEVERAGE MAKER CLEANING DEVICE**

(71) Applicant: **Sunbeam Products, Inc.**, Boca Raton, FL (US)

(72) Inventors: **Eric Forti**, Boynton Beach, FL (US);  
**Yao Qin Meng**, Hui Zhou (CN)

(73) Assignee: **Sunbeam Products, Inc.**, Boca Raton, FL (US)

(\*\*) Term: **14 Years**

(21) Appl. No.: **29/517,132**

(22) Filed: **Feb. 10, 2015**

(51) **LOC (10) Cl.** ..... **07-99**

(52) **U.S. Cl.**  
USPC ..... **D7/397; D7/540**

(58) **Field of Classification Search**  
USPC ..... D7/400, 399, 397, 213, 387, 398, 392.2,  
D7/700, 392, 667, 315, 396.2, 538, 540;  
D9/440, 439; 99/323.1, 275, 277.1;  
261/76, 110, 30; 222/190, 450, 189.06,  
222/476, 479; 426/474; 141/344; D23/209  
CPC ... B01F 3/04751; B01F 5/0413; A47J 31/60;  
F04B 45/02  
See application file for complete search history.

(56) **References Cited**

**U.S. PATENT DOCUMENTS**

1,509,524 A \* 9/1924 Morrison ..... A47F 3/145  
206/216  
D176,822 S \* 1/1956 Succia et al. .... D7/540

D286,124 S \* 10/1986 Dempsey ..... D7/501  
D380,124 S \* 6/1997 Kato ..... D7/540  
D477,969 S \* 8/2003 Griffin ..... D7/354  
D514,374 S \* 2/2006 Settele ..... D7/388  
D588,867 S \* 3/2009 Zemel ..... D7/393  
D682,617 S \* 5/2013 Miksovsky ..... D7/507  
8,448,820 B2 \* 5/2013 Johnson ..... B65D 77/067  
222/490  
D693,687 S \* 11/2013 Karay ..... D7/540  
D708,474 S \* 7/2014 Liebowitz ..... D7/392.1  
9,010,589 B2 \* 4/2015 Thurman ..... B65D 47/0838  
215/253  
D750,440 S \* 3/2016 Dhingra ..... D7/540  
9,375,114 B2 \* 6/2016 Meng ..... A47J 31/60  
2013/0287914 A1 \* 10/2013 Fragniere ..... A47J 31/3695  
426/416

\* cited by examiner

*Primary Examiner* — Marianne Pandozzi

(74) *Attorney, Agent, or Firm* — Michael J. Corrigan

(57) **CLAIM**

The ornamental design for a beverage maker cleaning device, as shown and described.

**DESCRIPTION**

FIG. 1 is a front perspective view of the beverage maker cleaning device;  
FIG. 2 is a side view thereof;  
FIG. 3 is a top view thereof;  
FIG. 4 is a bottom view thereof; and,  
FIG. 5 is a bottom perspective view thereof.  
The broken lines in the drawing depict portions of the beverage maker cleaning device that form no part of the claimed design.

**1 Claim, 2 Drawing Sheets**

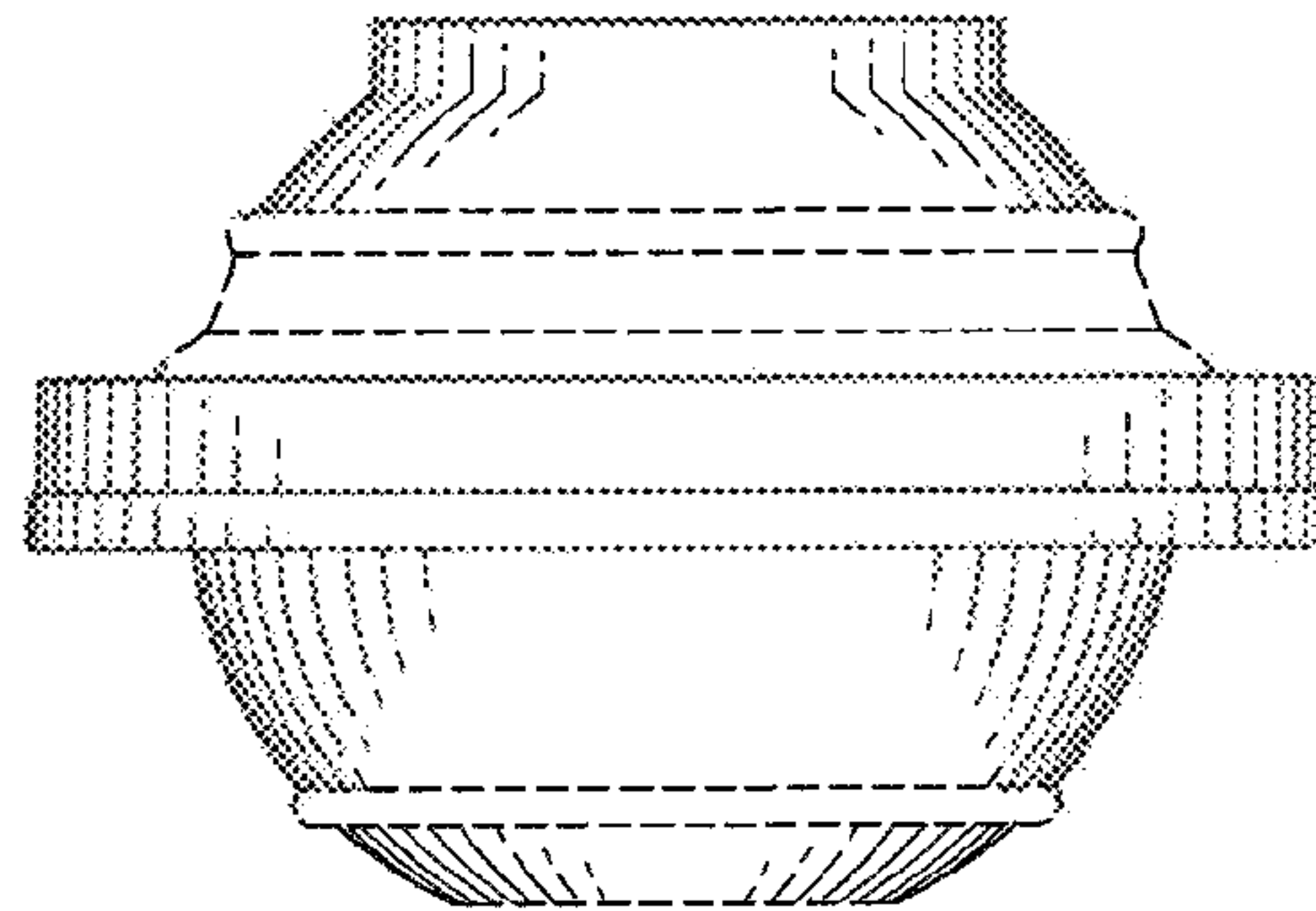
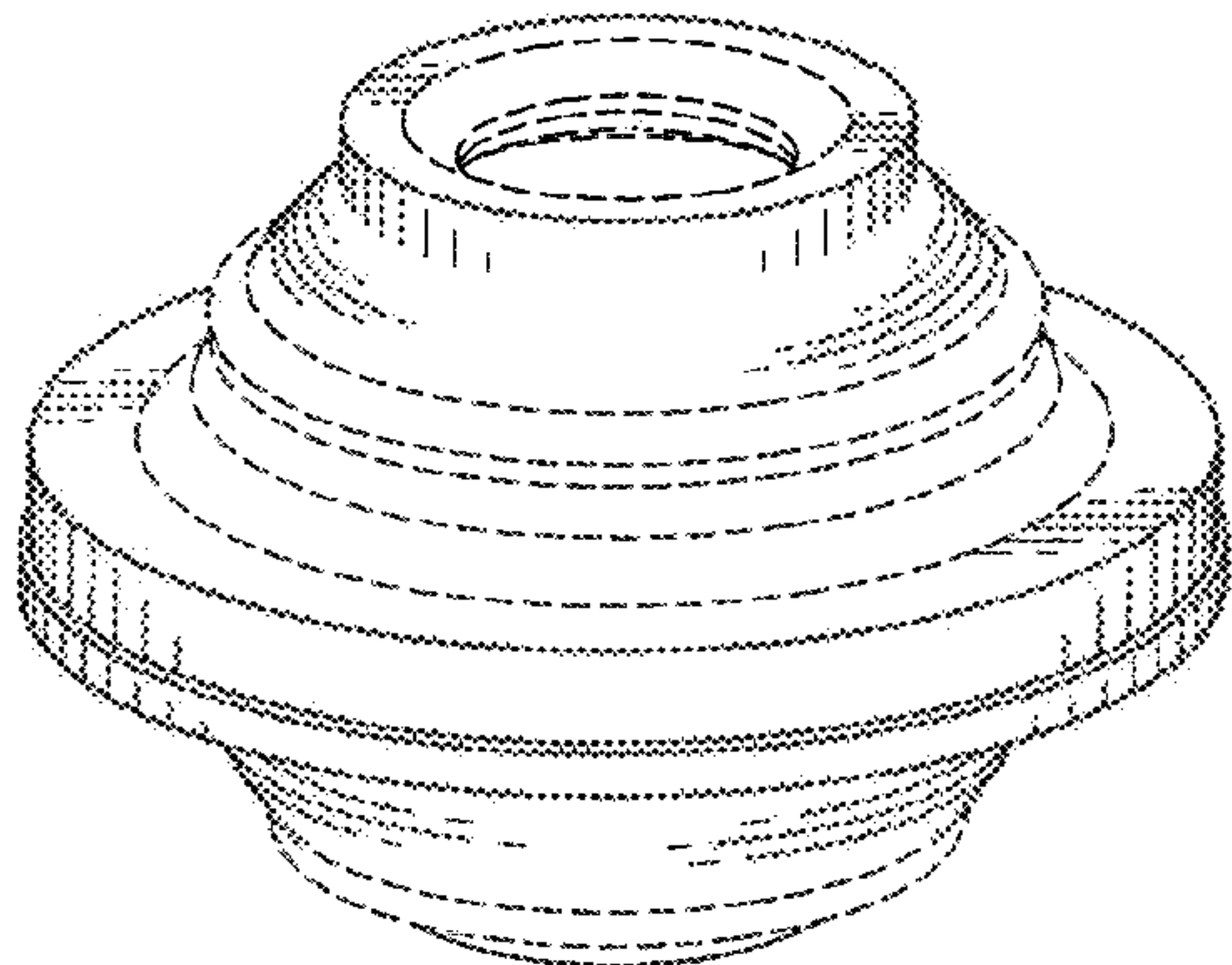


FIG. 1

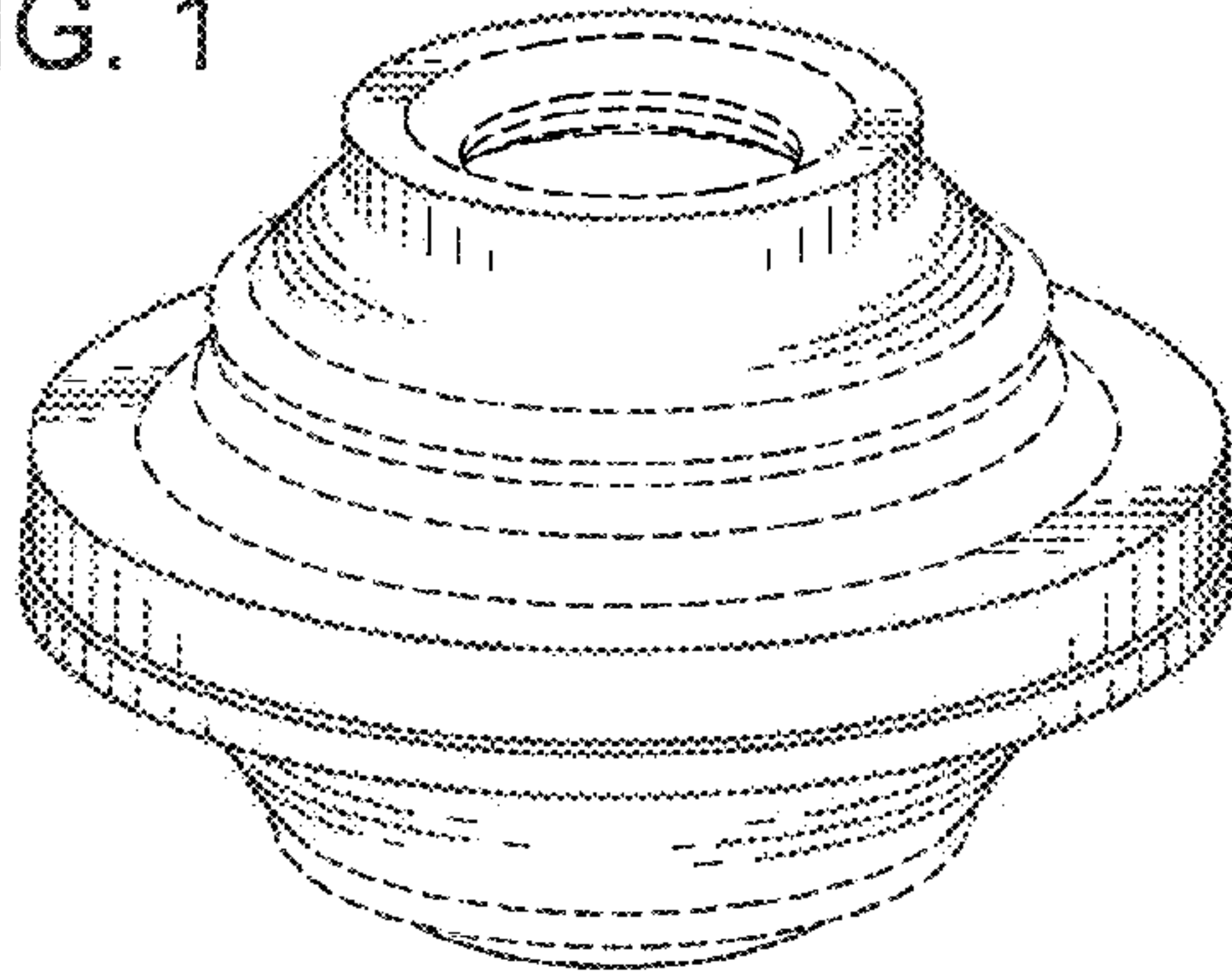


FIG. 2

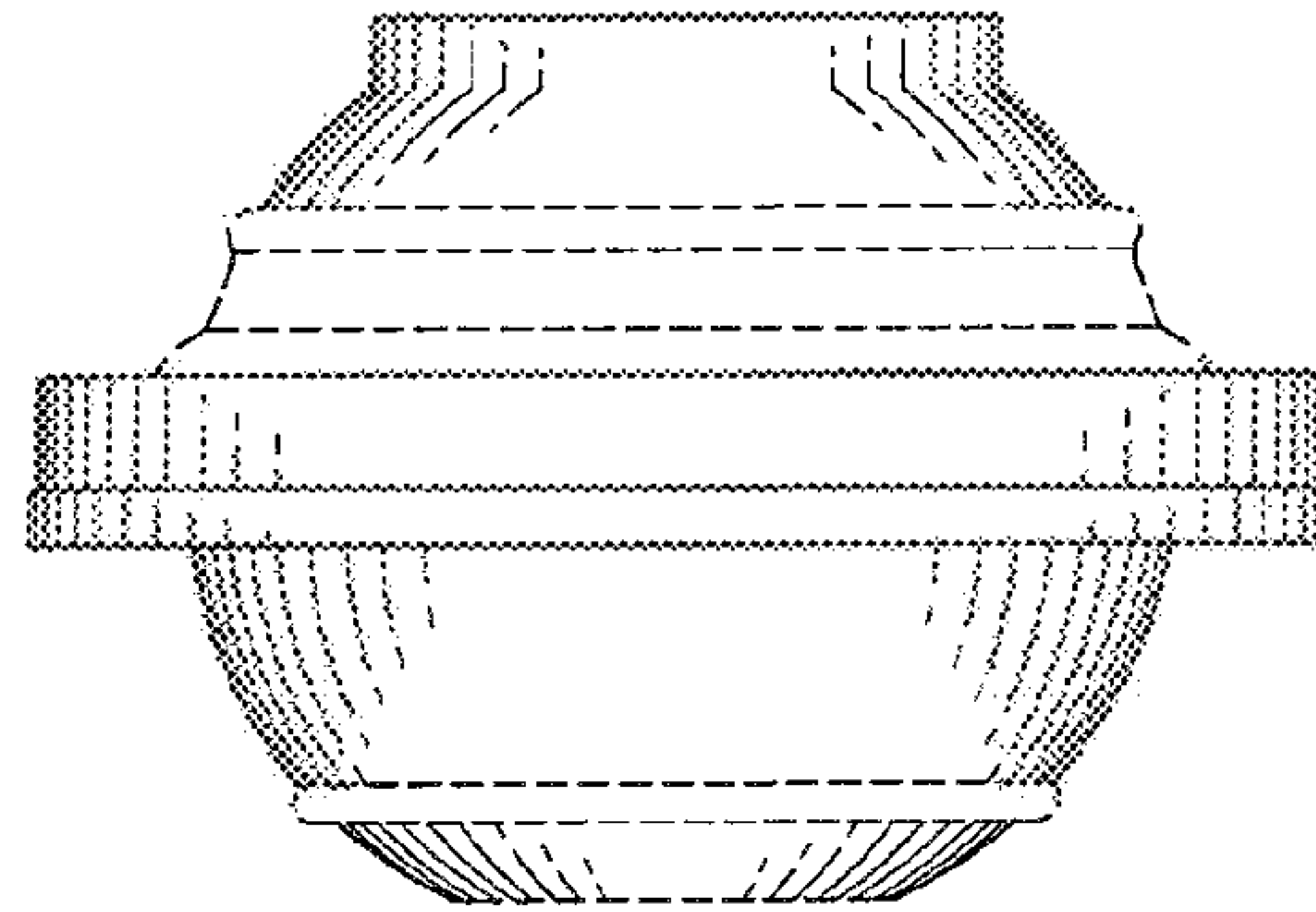


FIG. 3

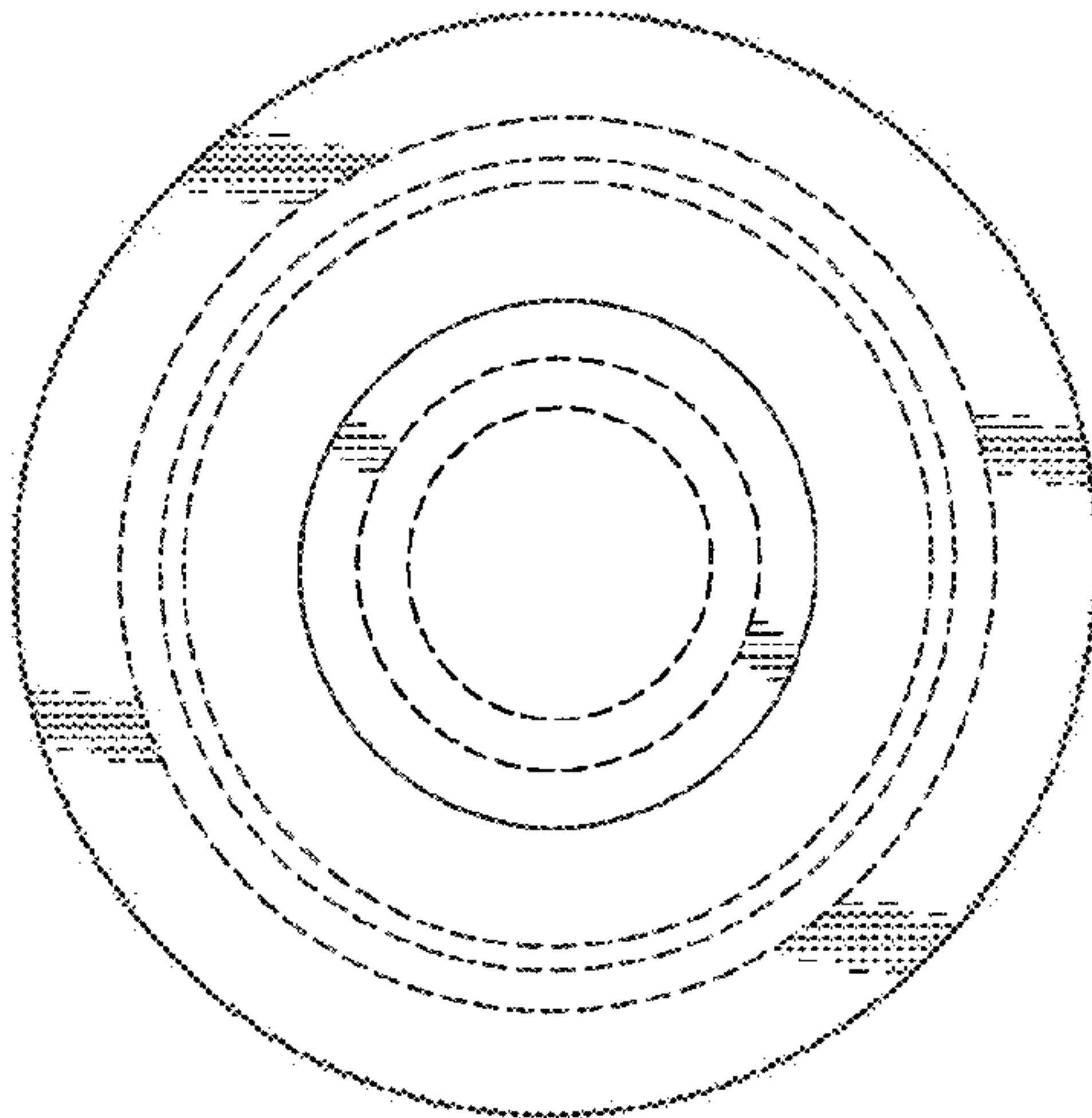


FIG. 4

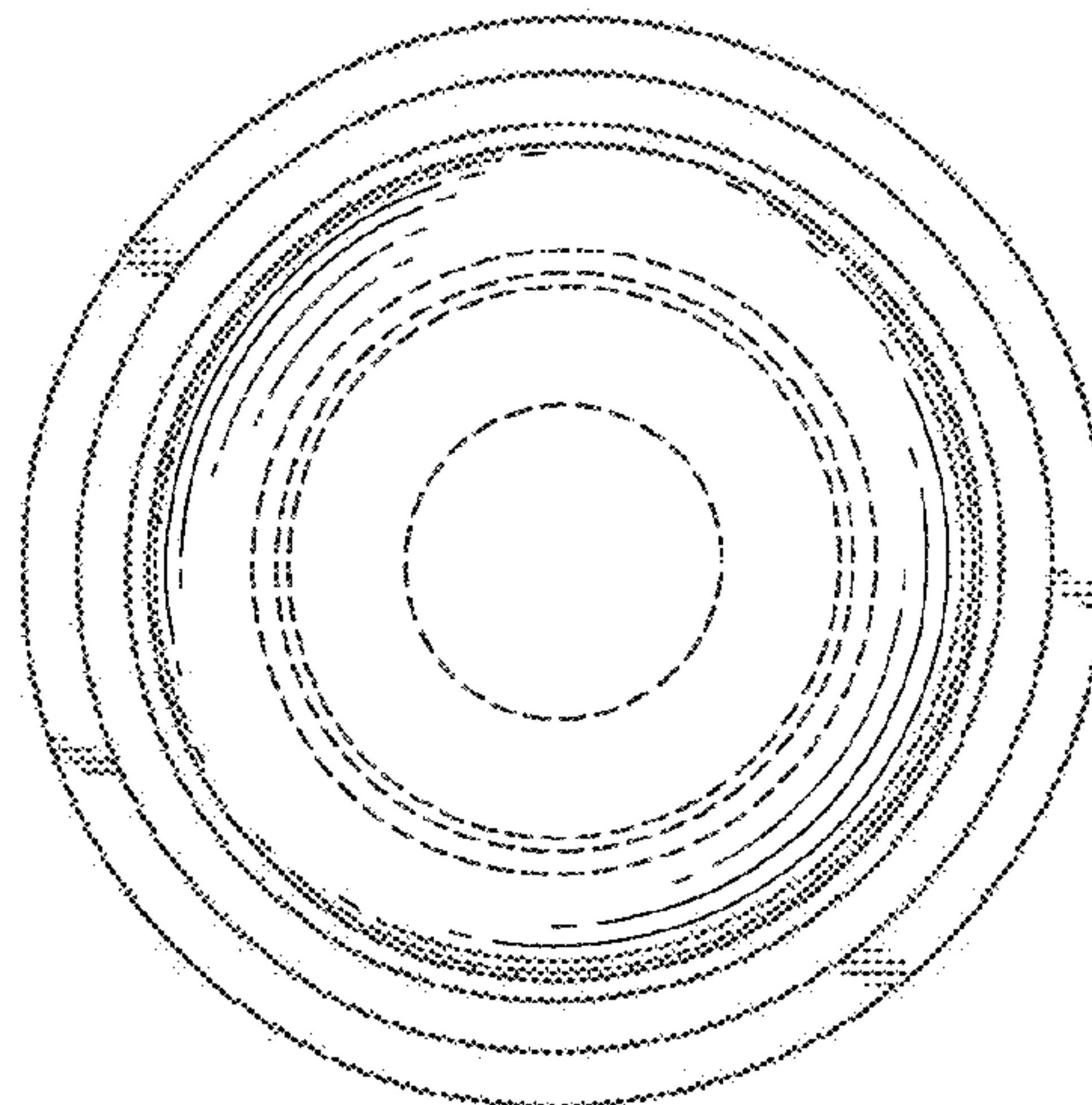


FIG. 5

