



US00D766652S

(12) **United States Design Patent**  
**Joseph et al.**

(10) **Patent No.:** **US D766,652 S**  
(45) **Date of Patent:** **\*\* Sep. 20, 2016**

(54) **LID FOR BEVERAGE CONTAINER**

(71) Applicant: **Ignite USA, LLC**, Chicago, IL (US)

(72) Inventors: **David Joseph**, St. Charles, IL (US);  
**Blair Miller**, Chicago, IL (US)

(\*\*) Term: **14 Years**

(21) Appl. No.: **29/515,380**

(22) Filed: **Jan. 22, 2015**

(51) **LOC (10) Cl.** ..... **07-01**

(52) **U.S. Cl.**  
USPC ..... **D7/392.1**; D7/396.2; D9/449

(58) **Field of Classification Search**  
USPC ..... D7/507, 509, 510, 511, 523, 529, 530,  
D7/531, 532, 533, 536, 607, 608, 391,  
D7/392.1, 396.1, 396.2, 560, 629; D9/435,  
D9/436, 440, 443, 445, 447, 448, 454, 449,  
D9/450, 516, 517, 530, 551, 552, 564, 565,  
D9/500, 503, 537, 550, 553, 563, 504,  
D9/566; 215/381, 382, 383, 384, 396, 398,  
215/400; 222/211, 212, 213; 220/771;  
D24/197  
CPC ... A45F 3/16; B65D 47/066; B65D 41/0414;  
B65D 43/02; B65D 47/08; B65D 51/18;  
B65D 41/62; A47G 19/2266  
See application file for complete search history.

(56) **References Cited**

U.S. PATENT DOCUMENTS

2,806,620	A *	9/1957	Blanch	.....	B65D 41/62 215/251
D248,373	S *	7/1978	Allen	.....	D7/511
D292,882	S	11/1987	Gross		
D312,775	S *	12/1990	Taconelli	.....	D9/435
D312,778	S *	12/1990	Taconelli	.....	D9/435
D336,855	S *	6/1993	Taconelli	.....	D9/454
D345,073	S *	3/1994	Carlson	.....	D7/300.1
D407,632	S *	4/1999	Kunesh	.....	D9/445

D407,979	S *	4/1999	Zemlo	.....	D9/454
D408,689	S *	4/1999	Kato	.....	D7/511
D409,043	S	5/1999	Lillelund et al.		
D451,023	S	11/2001	Kitamura et al.		
D499,026	S *	11/2004	Kunesh	.....	D9/521
D505,831	S *	6/2005	Liu	.....	D7/510
D530,611	S	10/2006	Nusbaum et al.		
D536,975	S *	2/2007	Smith	.....	D9/435
D545,129	S *	6/2007	Tien	.....	D7/510
D547,606	S	7/2007	Forsman		
D548,012	S *	8/2007	Tien	.....	D7/523
D571,147	S	6/2008	Rohe		
D576,877	S	9/2008	Alcamo et al.		
D592,012	S	5/2009	Carreno		
D610,871	S *	3/2010	Alviar	.....	D7/510
D624,363	S *	9/2010	Alviar	.....	D7/396.2
D626,411	S	11/2010	Lohrman		
D628,068	S	11/2010	Gonzalez Sanchez et al.		
7,870,980	B2	1/2011	Wilson et al.		
D639,660	S *	6/2011	Carreno	.....	D9/449

(Continued)

*Primary Examiner* — Marianne Pandozzi

*Assistant Examiner* — Jae Liang

(74) *Attorney, Agent, or Firm* — Ignite USA, LLC

(57) **CLAIM**

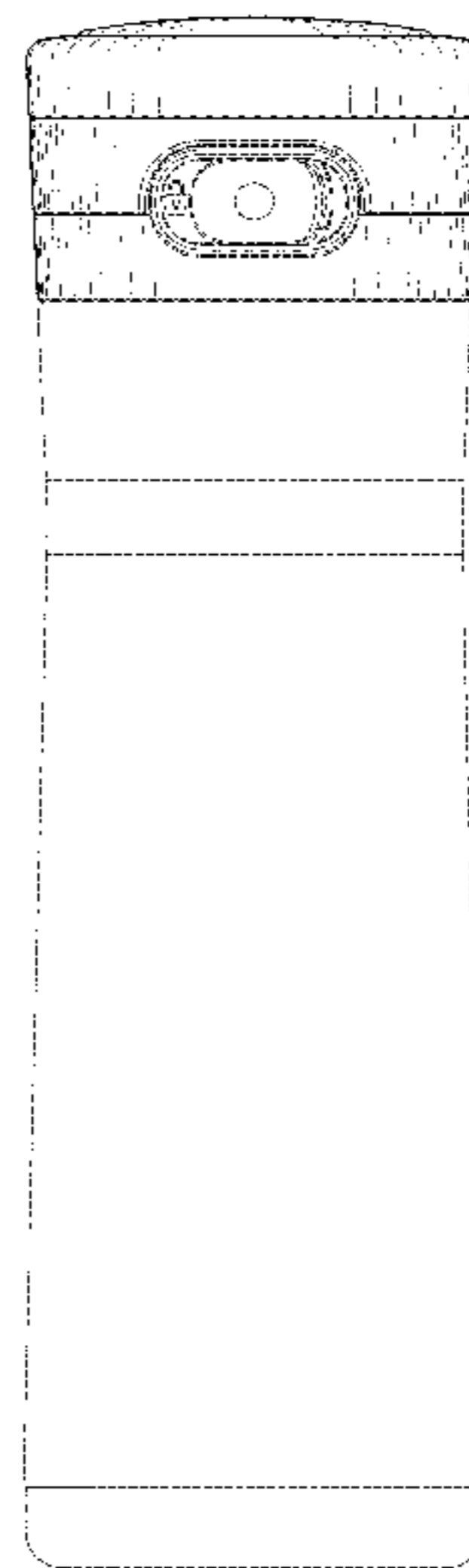
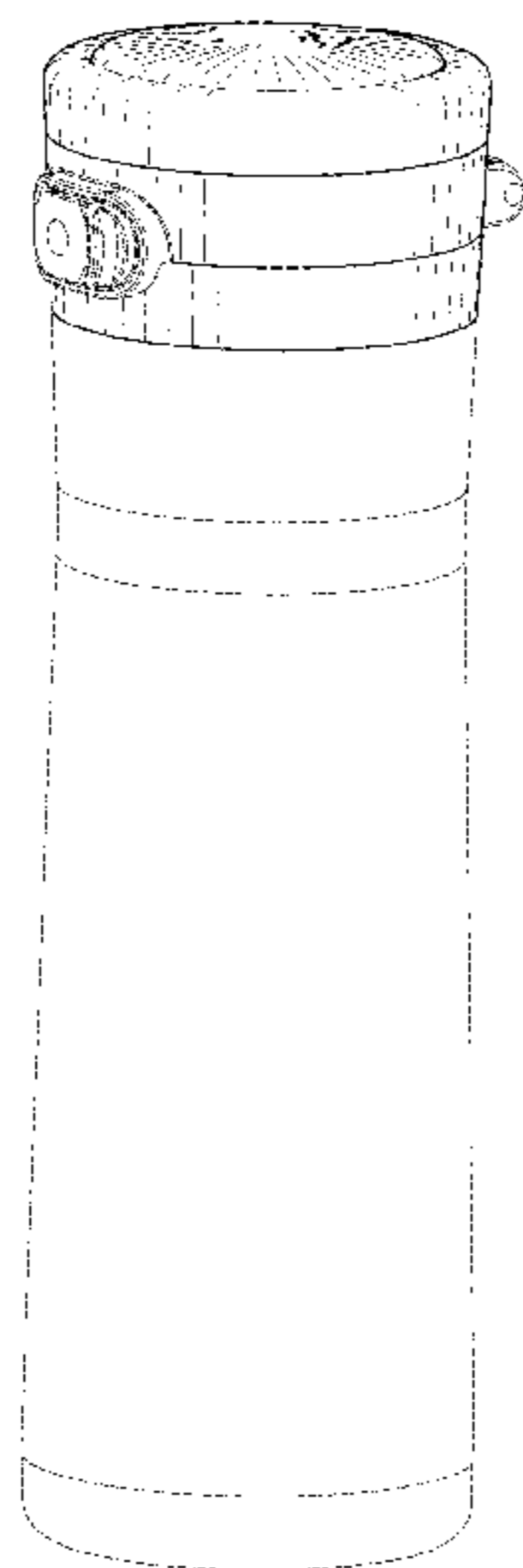
The ornamental design for a lid for beverage container, as shown and described.

**DESCRIPTION**

FIG. 1 is a perspective view of a lid for beverage container showing our new design;  
FIG. 2 is a front view thereof;  
FIG. 3 is a rear view thereof;  
FIG. 4 is a left side view thereof;  
FIG. 5 is a right side view thereof;  
FIG. 6 is a top view thereof; and,  
FIG. 7 is a bottom view thereof.

The broken lines in the drawing depict portions of the lid for beverage container and environmental subject matter that form no part of the claimed design.

**1 Claim, 6 Drawing Sheets**



(56)

**References Cited**

U.S. PATENT DOCUMENTS

D655,134 S *	3/2012	Gilbert .....	D7/510	D717,169 S *	11/2014	Blackburn .....	D9/449
D660,704 S	5/2012	Simmons et al.		D720,574 S *	1/2015	Boroski .....	D7/510
D675,060 S	1/2013	Lane		D725,968 S *	4/2015	George .....	D7/511
D686,871 S	7/2013	Lane		D729,585 S *	5/2015	Boroski .....	D7/511
D700,802 S *	3/2014	Miller .....	D7/392.1	D730,729 S *	6/2015	George .....	D9/435
D709,734 S *	7/2014	Kotani .....	D7/608	D731,244 S *	6/2015	Kohl .....	D7/510
				D732,972 S *	6/2015	Barroso Miana .....	D9/688
				2016/0000245 A1 *	1/2016	Sims .....	A47G 19/2272 220/253

\* cited by examiner

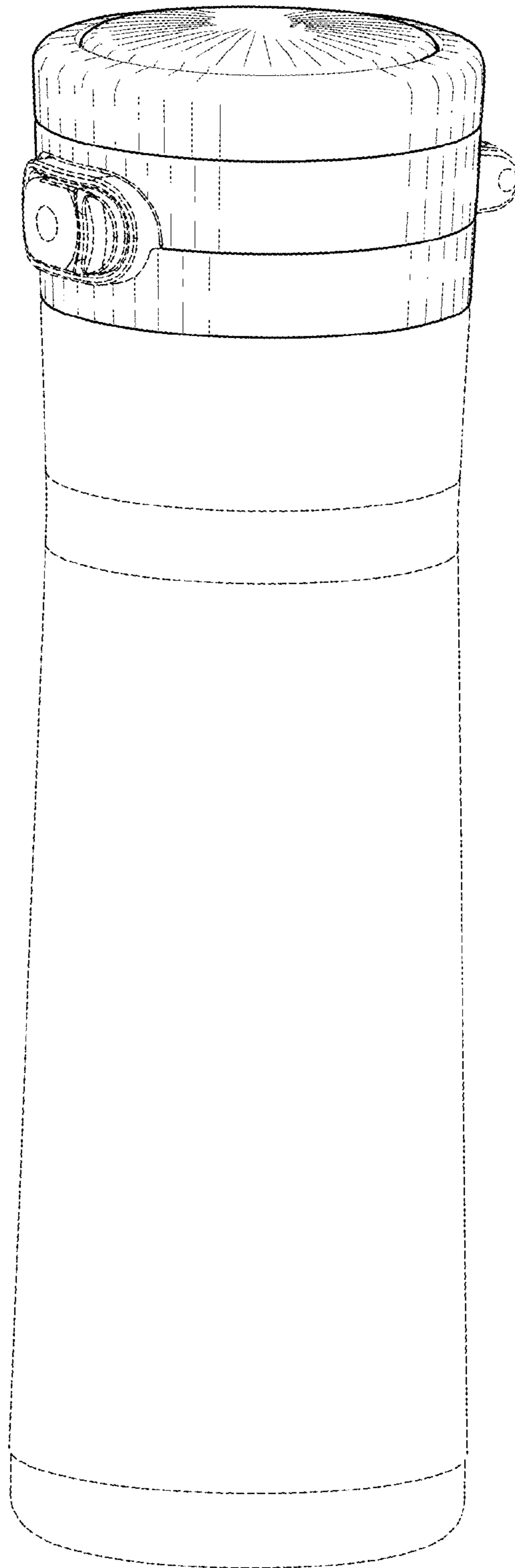


FIG. 1

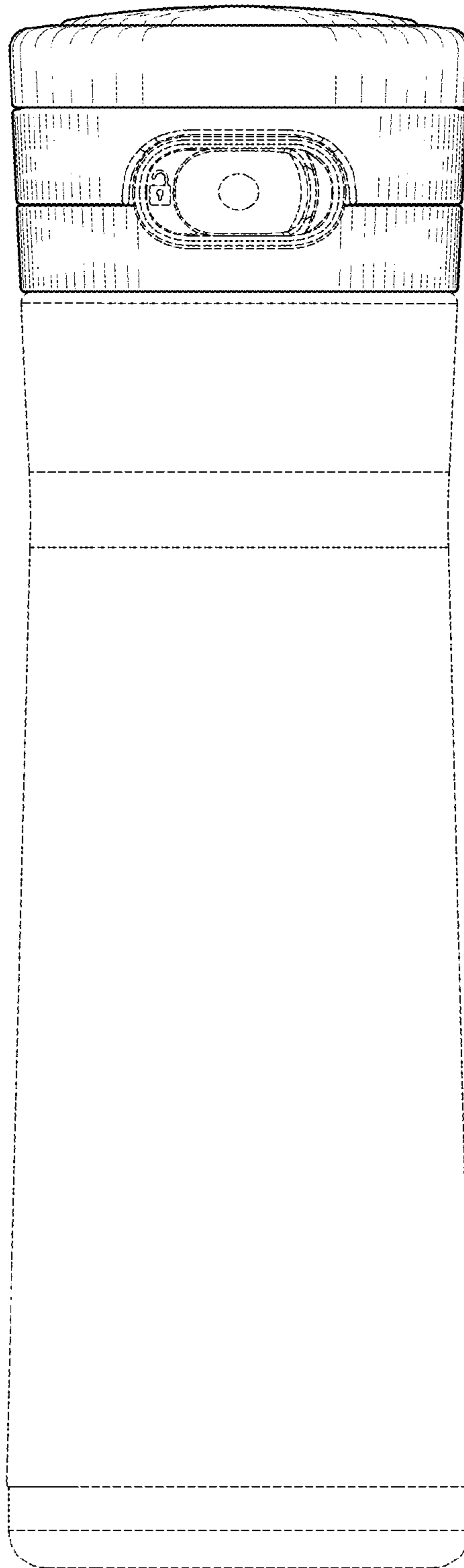


FIG. 2

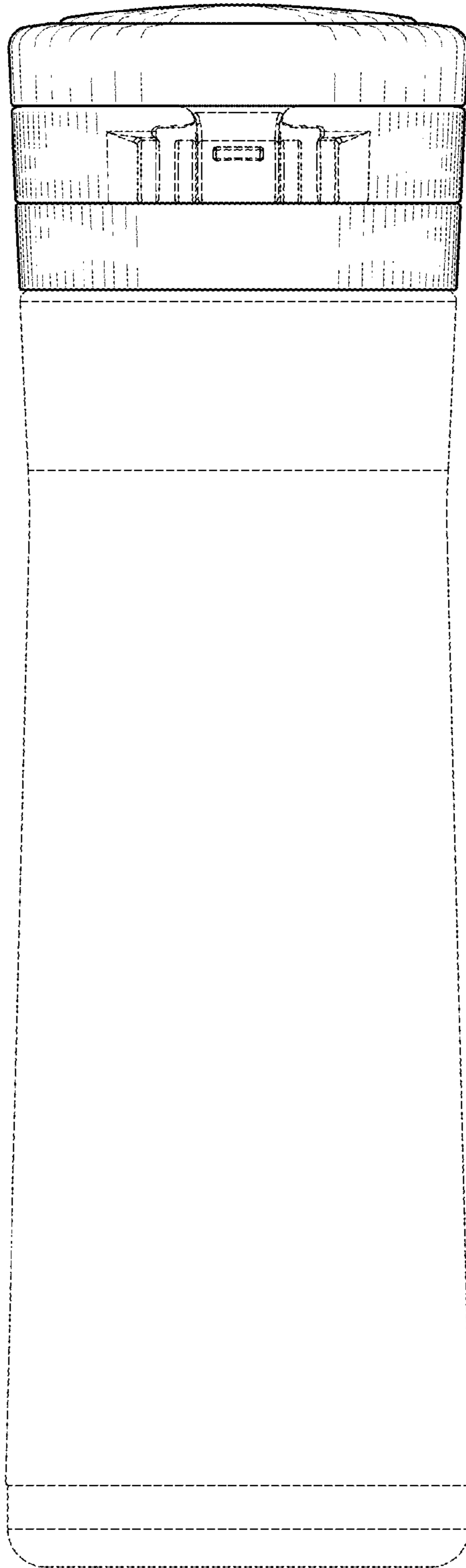


FIG. 3

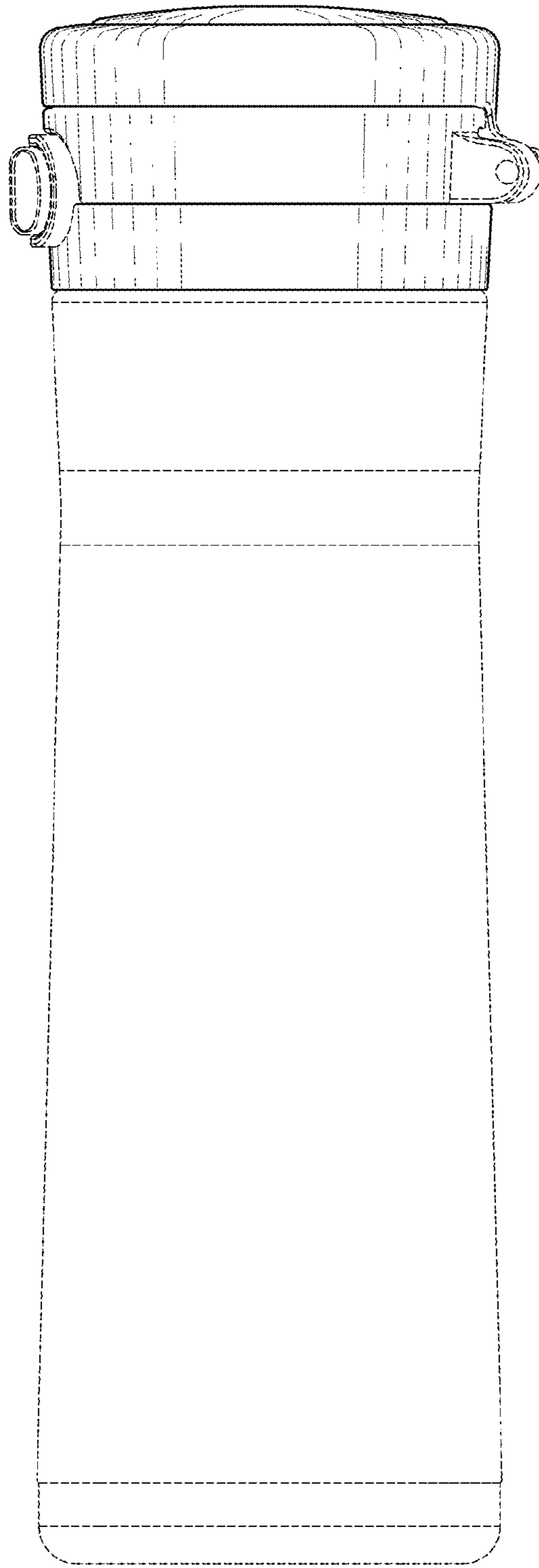


FIG. 4

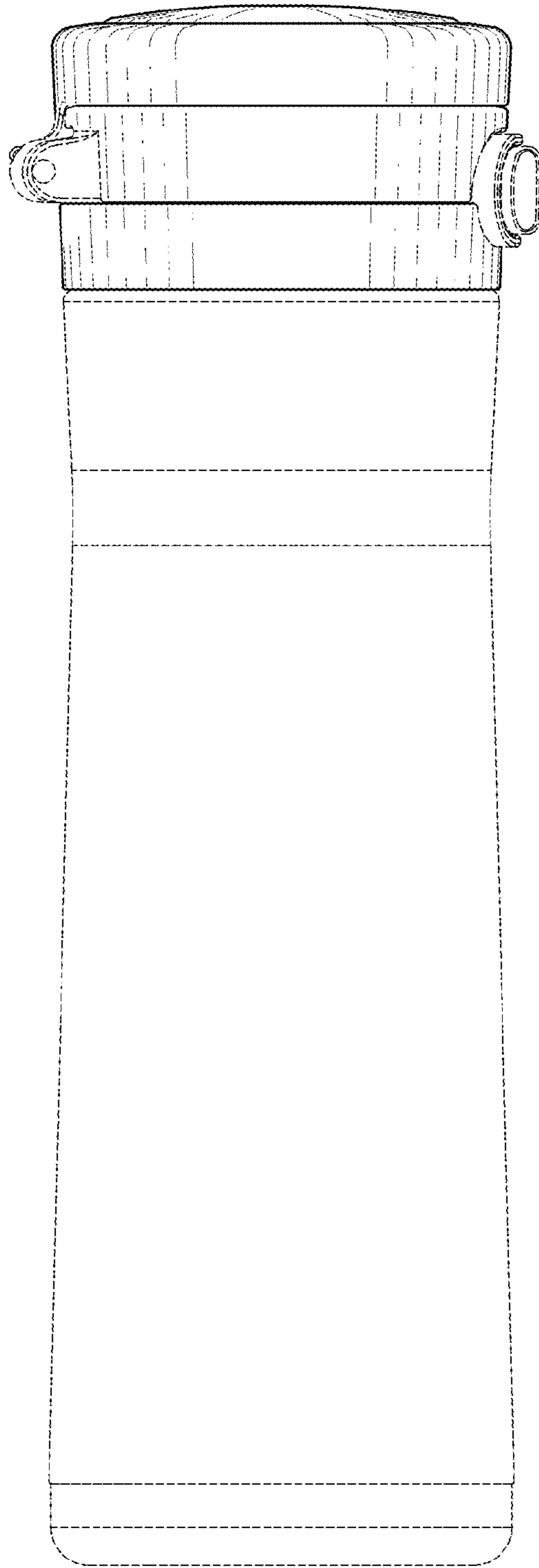


FIG. 5



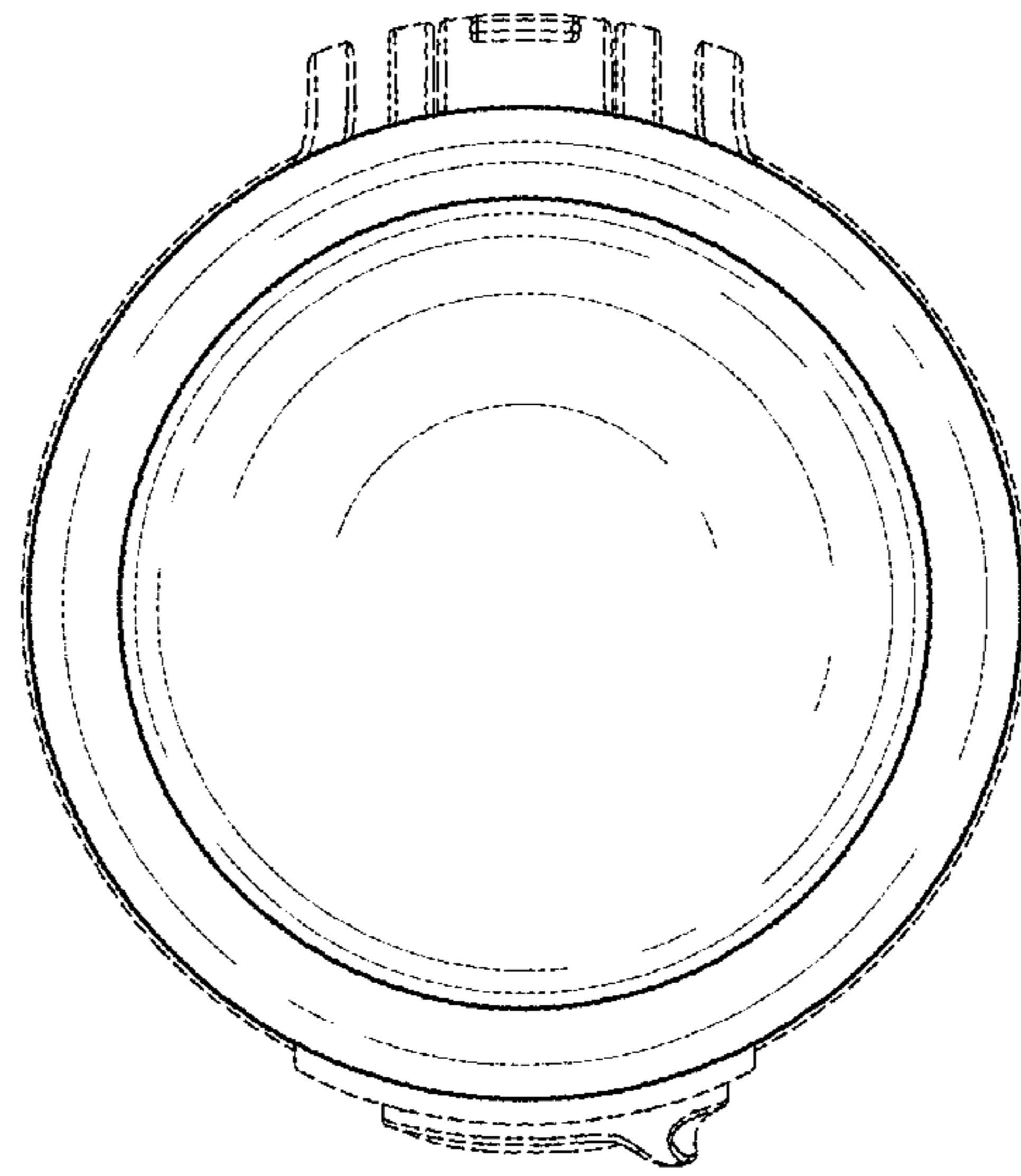


FIG. 6

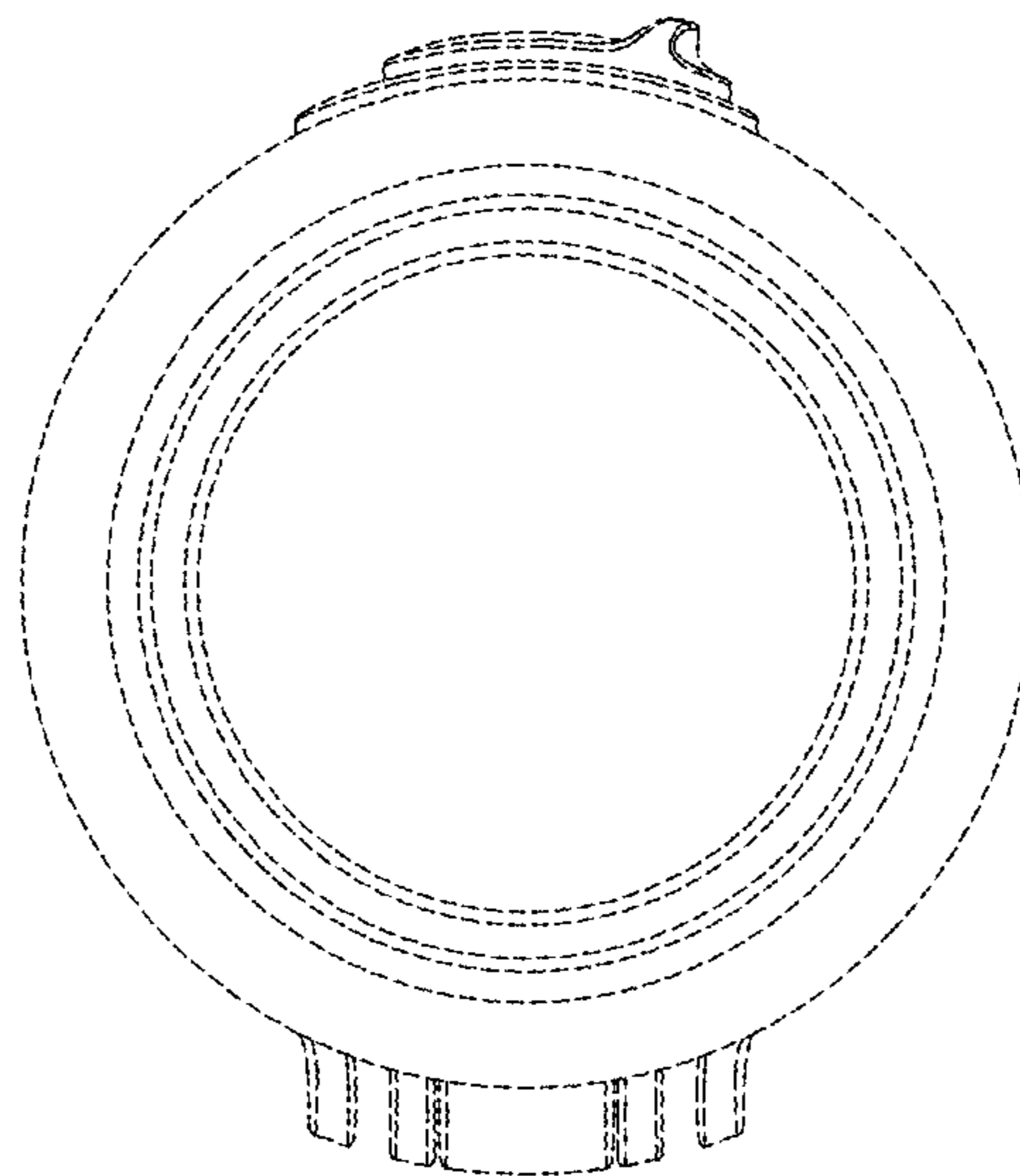


FIG. 7