

US00D766651S

(12) **United States Design Patent** (10) **Patent No.:** **US D766,651 S**
Decker et al. (45) **Date of Patent:** **** Sep. 20, 2016**

(54) **LID FOR FOOD STORAGE CONTAINER**

(71) Applicant: **Rubbermaid Incorporated**,
Huntersville, NC (US)

(72) Inventors: **Nicholas Decker**, Concord, NC (US);
Michael Gregory, Huntersville, NC
(US); **Savannah Eby**, Kalamazoo, MI
(US)

(**) Term: **15 Years**

(21) Appl. No.: **29/528,068**

(22) Filed: **May 26, 2015**

(51) **LOC (10) Cl.** **07-02**

(52) **U.S. Cl.**
USPC **D7/391**

(58) **Field of Classification Search**

USPC D3/276; D7/391, 392, 392.1, 393, 397,
D7/586, 629; D9/414, 424-432, 435,
D9/451-452; D23/359; D24/232
CPC A47J 36/027; A47J 36/06; A47J 37/10;
A47J 37/101; B60B 33/08; B65D 21/0209;
B65D 43/00; B65D 43/02; B65D 43/022;
B65D 43/161; B65D 43/162; B65D 45/00;
B65D 45/16; B65D 45/18; B65D 51/16;
B65D 51/1683; B65D 51/1688; B65D
51/1694; B65F 1/1615

See application file for complete search history.

(56) **References Cited**

U.S. PATENT DOCUMENTS

D311,334 S * 10/1990 Flynn D7/629
D373,021 S * 8/1996 Breen D3/276
D473,789 S * 4/2003 Crawford D9/430
D483,988 S * 12/2003 Kipperman D7/391
7,350,789 B2 * 4/2008 Uffner B60B 33/08
206/503
D576,035 S * 9/2008 Perry D9/435
D675,477 S * 2/2013 McGrath, Jr. D7/391

D688,363 S * 8/2013 Dios D23/359
D688,526 S * 8/2013 Montgomery D7/396.1
D688,551 S * 8/2013 Wahl D7/602
D732,879 S * 6/2015 Miles D7/354
D733,320 S * 6/2015 Perry D24/231
2006/0201943 A1 * 9/2006 Kopp et al. 280/33.998

OTHER PUBLICATIONS

Design U.S. Appl. No. 29/528,070, filed May 26, 2015 entitled "Lid for Storage Container", Inventor: Nicholas Decker et al.
Design U.S. Appl. No. 29/528,071, filed May 26, 2015 entitled "Lid for a Storage Container", Inventor Nicholas Decker et al.
Tupperware Fridge Smart, on or before May 26, 2015, 1 page.
Design U.S. Appl. No. 29/528,073, filed May 26, 2015 entitled "Vent for Food Storage Container", Inventor, Nicholas Decker et al.
Progressive International Prepworks Fresh Berry keeper: on or before May 26, 2015, 1 Page.
Progressive International Prepworks Lettuce Keeper: on or before May 26, 2015 1 Page.

(Continued)

Primary Examiner — Ricky Pham
(74) *Attorney, Agent, or Firm* — Rubbermaid Incorporated

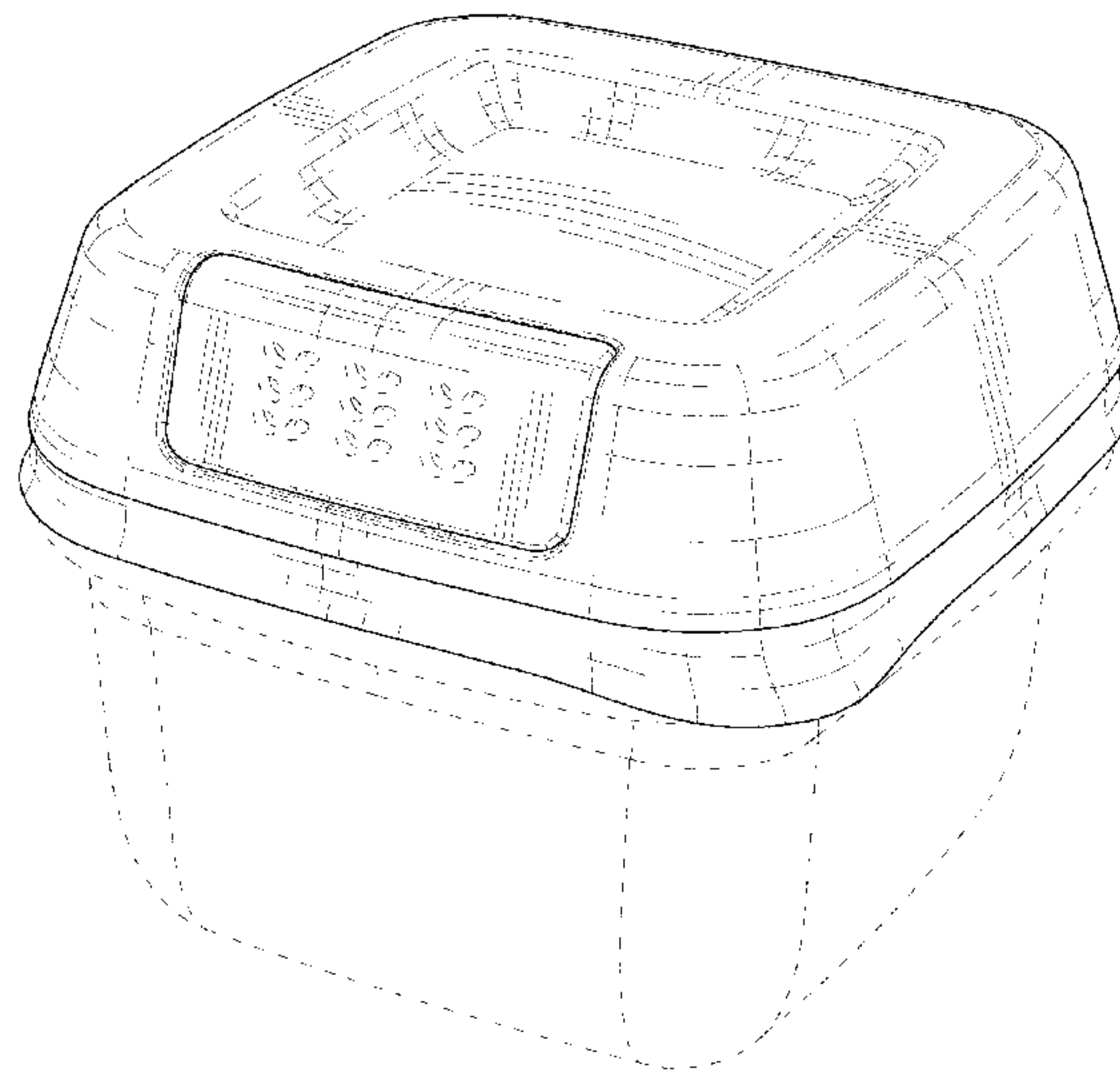
(57) **CLAIM**

The ornamental design for a "lid for food storage container," as shown and described.

DESCRIPTION

FIG. 1 is a perspective view of a lid for food storage container showing our new design;
FIG. 2 is a front view thereof;
FIG. 3 is a rear view thereof;
FIG. 4 is a left view thereof;
FIG. 5 is a right view thereof;
FIG. 6 is a top view thereof; and,
FIG. 7 is a bottom view thereof.
The subject matter shown in dashed lines is for illustrative purposes and forms no part of the claimed design.

1 Claim, 7 Drawing Sheets



(56)

References Cited

OTHER PUBLICATIONS

Progressive International Prepworks Collapsible Produce Keeper: on or before May 26, 2015 1 Page.

Oxo Berry Bowl & Colander: on or before May 26, 2015 1 Page.

Tupperware Fridge Smart, on or before May 26, 2015, o http://www.tupperware.com/Tupperware-FridgeSmart-4-Pc-Set/dp/B00NYAHKHE?field_availability=-1&field_browse=9221894011&id=Tupperware+FridgeSmart+4-Pc+Set&ie=UTF8&refinementHistory=subjectbin%2Cprice%2Ccolor_map&searchNodeID=9221894011&searchPage=1&searchRank=-product_site_launch_date&searchSize=12, 1 page.

Progressive International Prepworks Fresh Berry keeper: on or before May 26, 2015, o <http://progressiveintl.com/products/fresh-berry-keeper> 1 Page.

Progressive International Prepworks Lettuce Keeper: on or before May 26, 2015 o <http://progressiveintl.com/products/lettuce-keeper> 1 Page.

Progressive International Prepworks Collapsible Produce Keeper: on or before May 26, 2015 o <http://progressiveintl.com/products/collapsible-produce-keeper> 1 Page.

Oxo Berry Bowl & Colander: on or before May 26, 2015 o <http://www.oxo.com/products/preparing/bowls/3-piece-berry-bowl-colander-set> 1 Page.

* cited by examiner

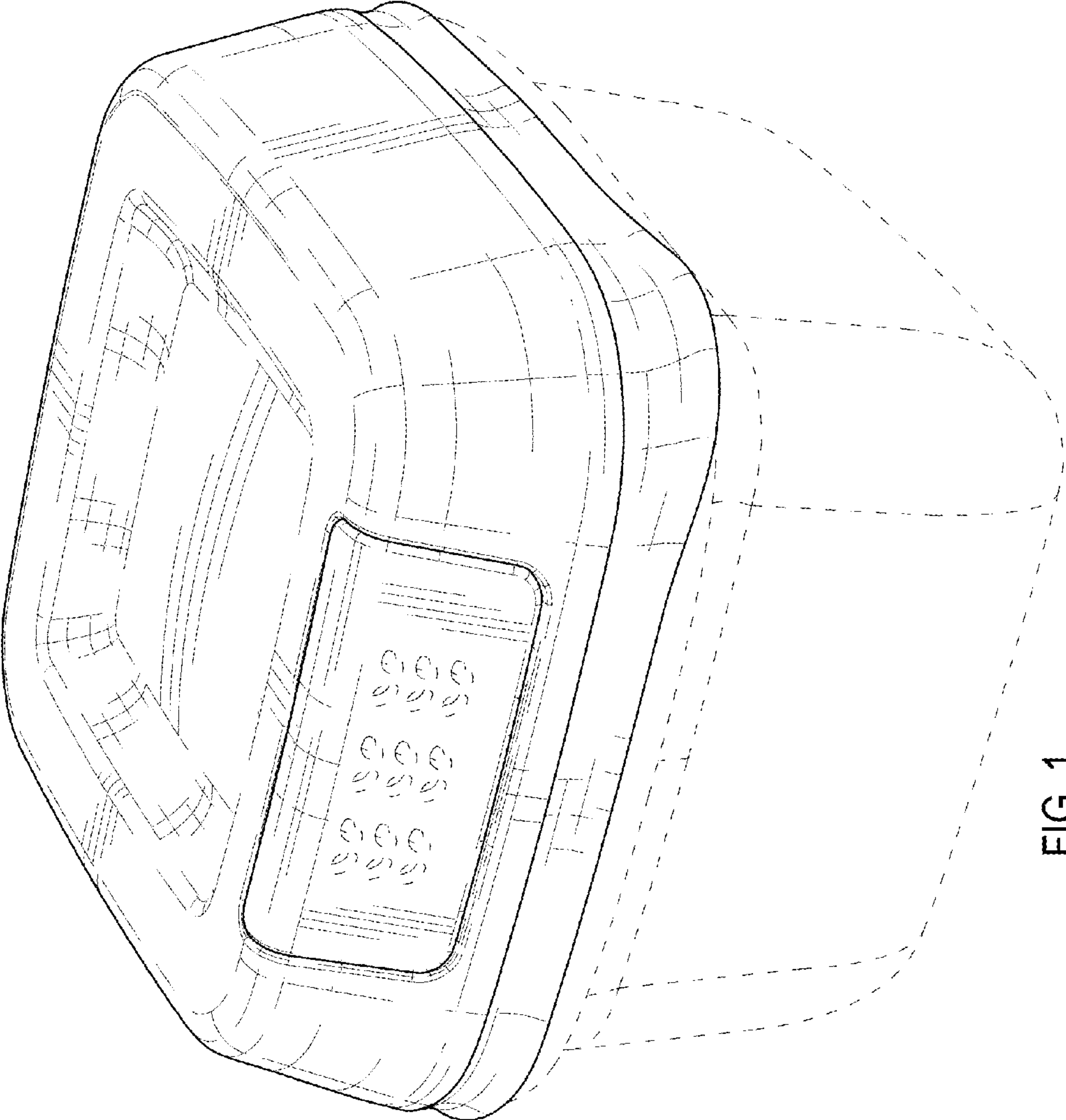


FIG. 1

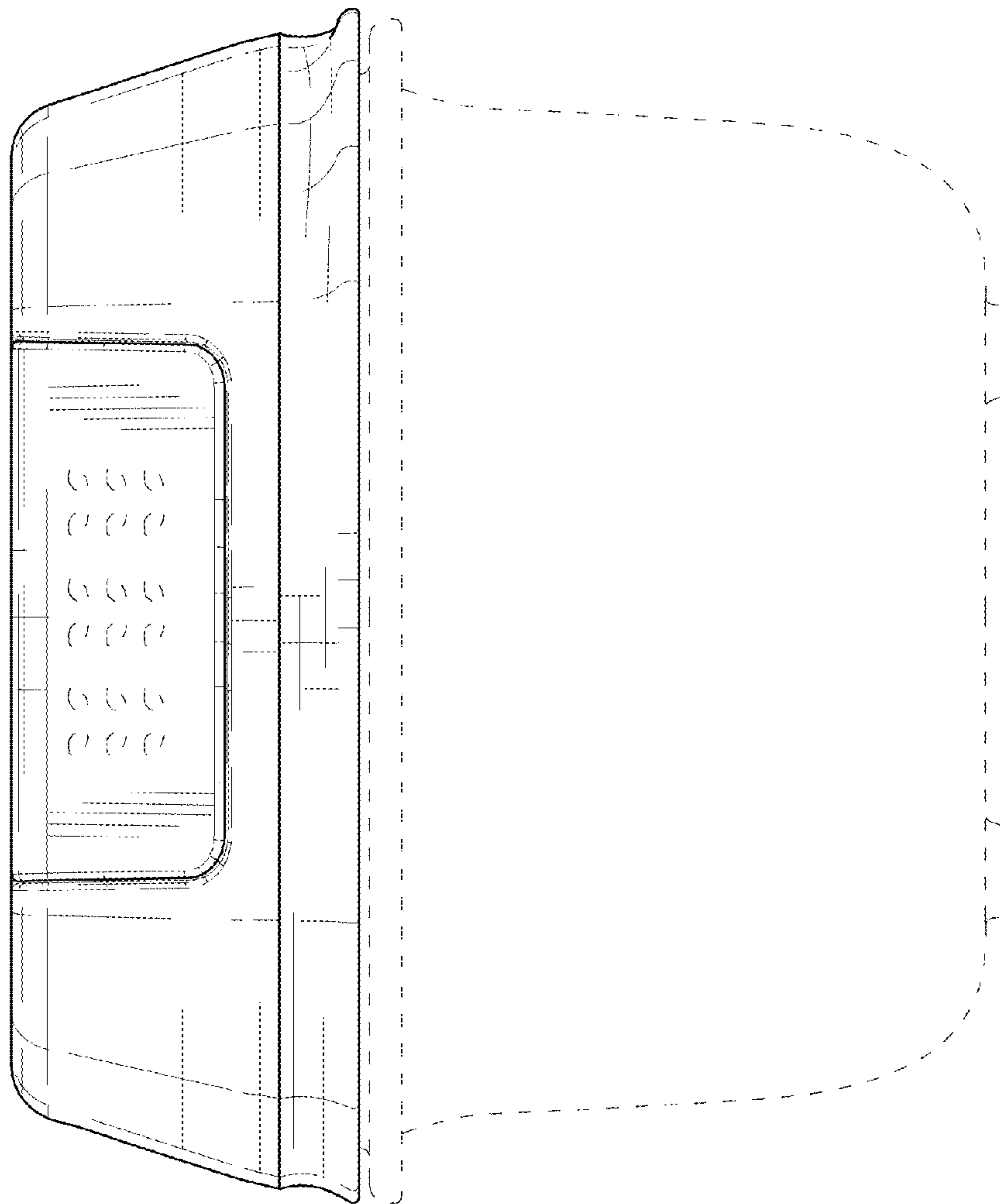


FIG. 2

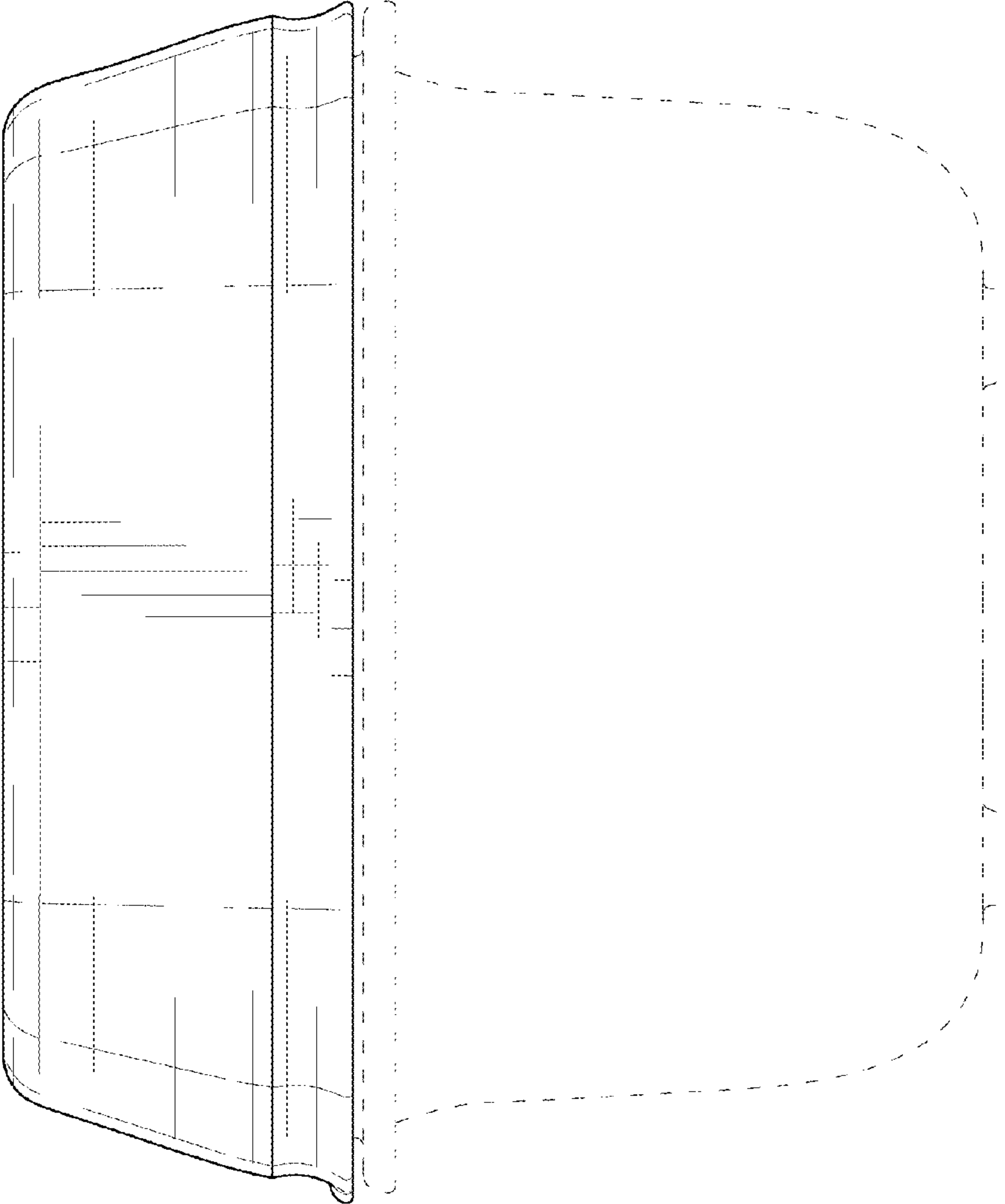


FIG. 3

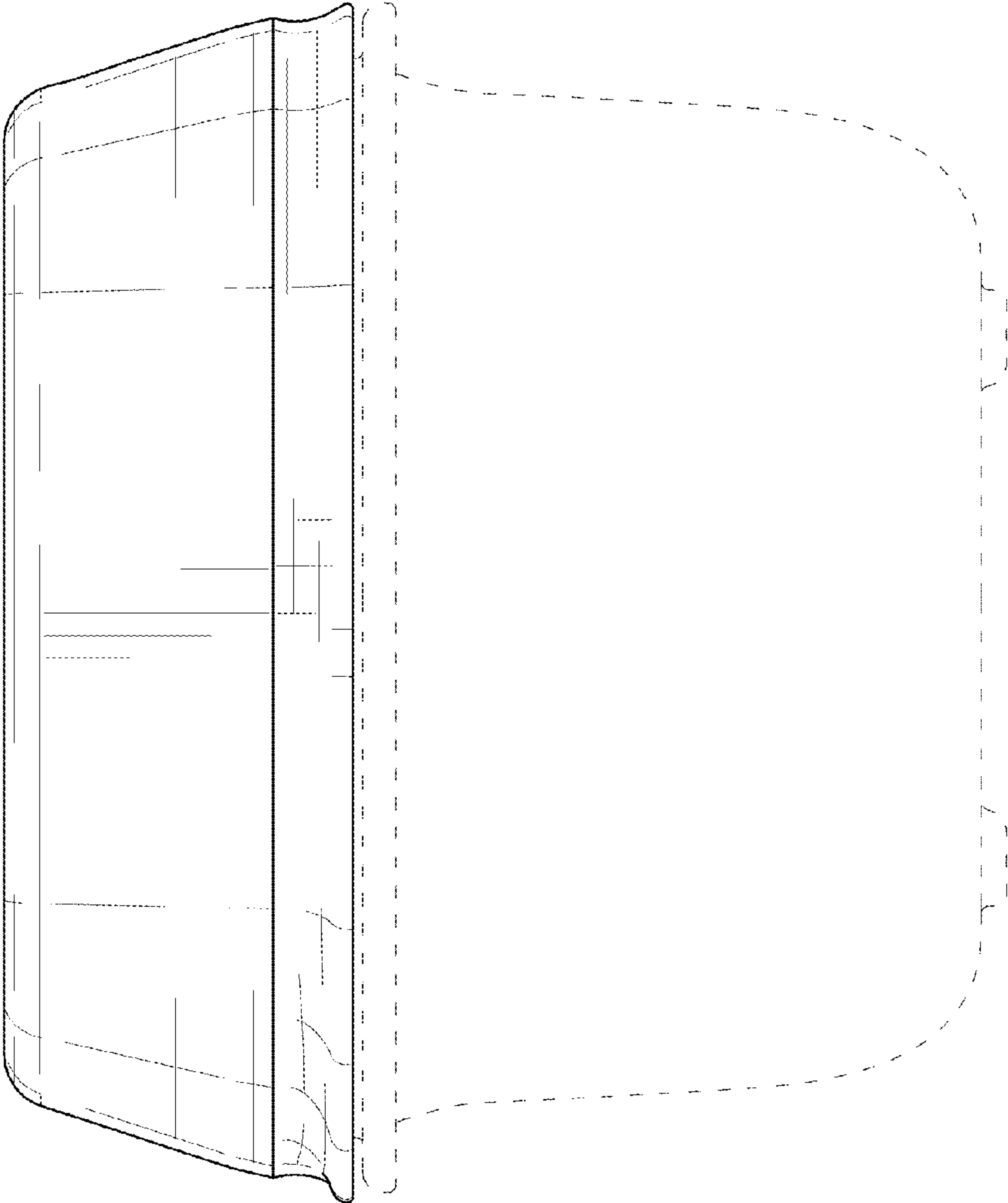


FIG. 4

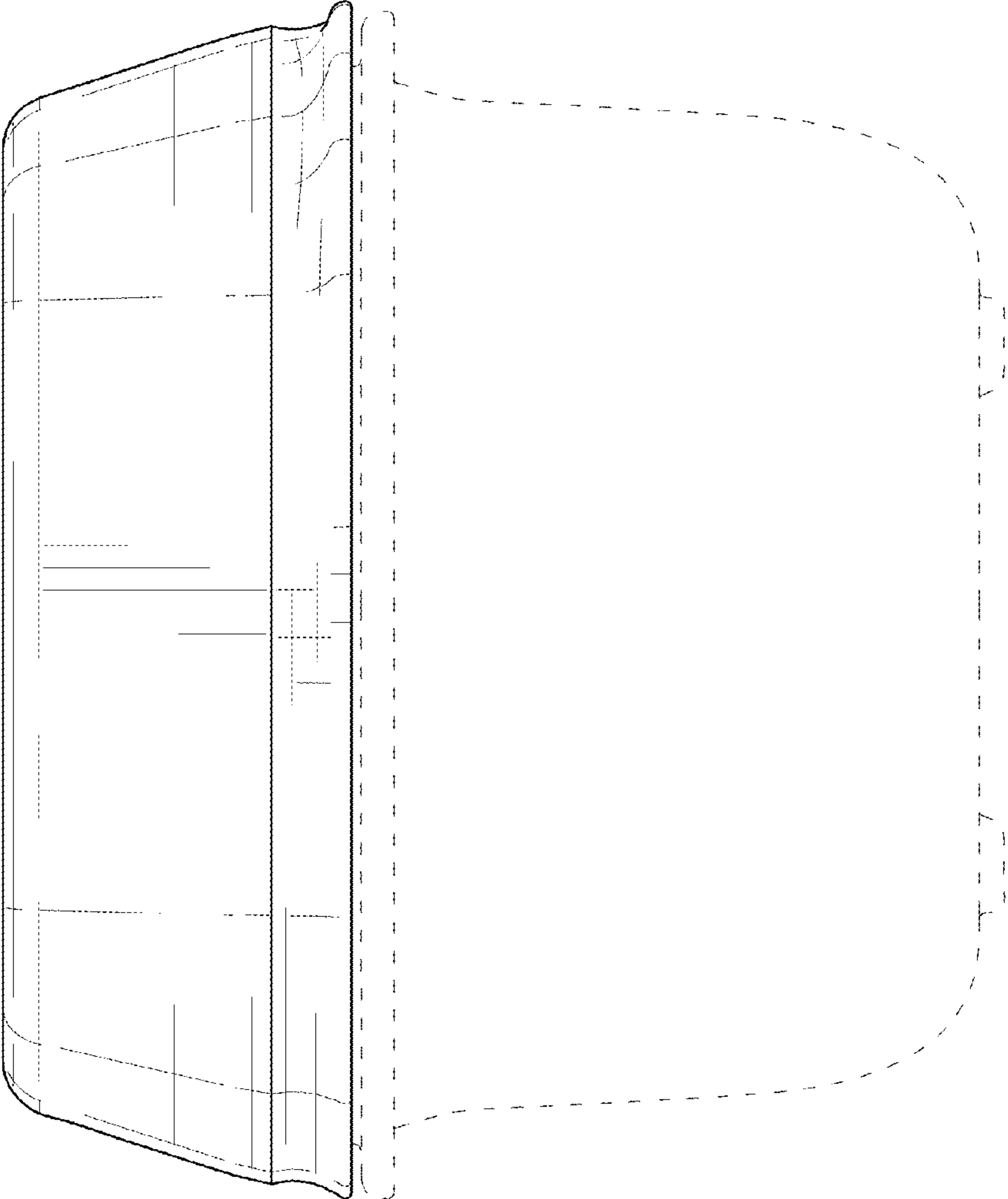


FIG. 5

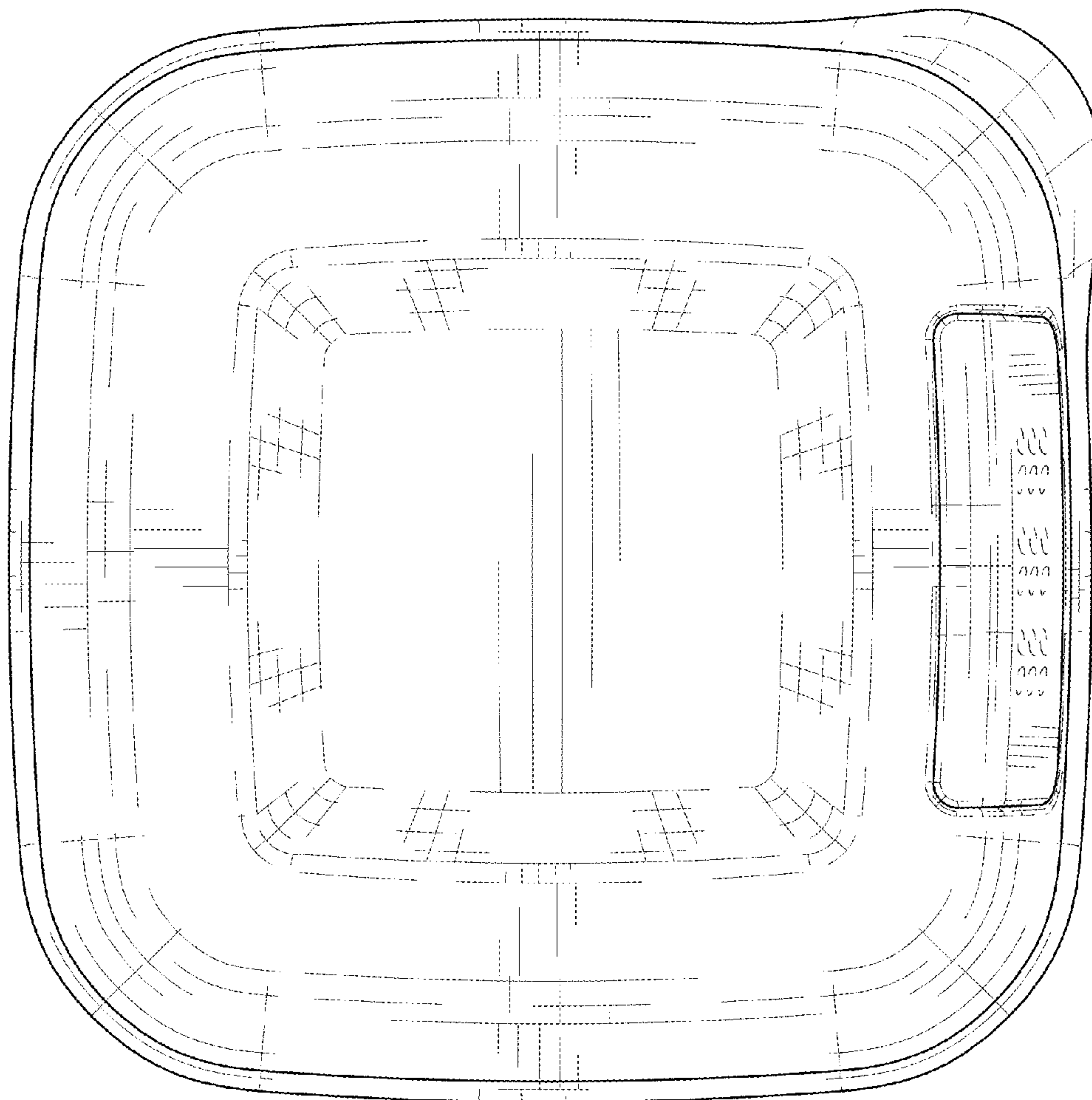


FIG. 6

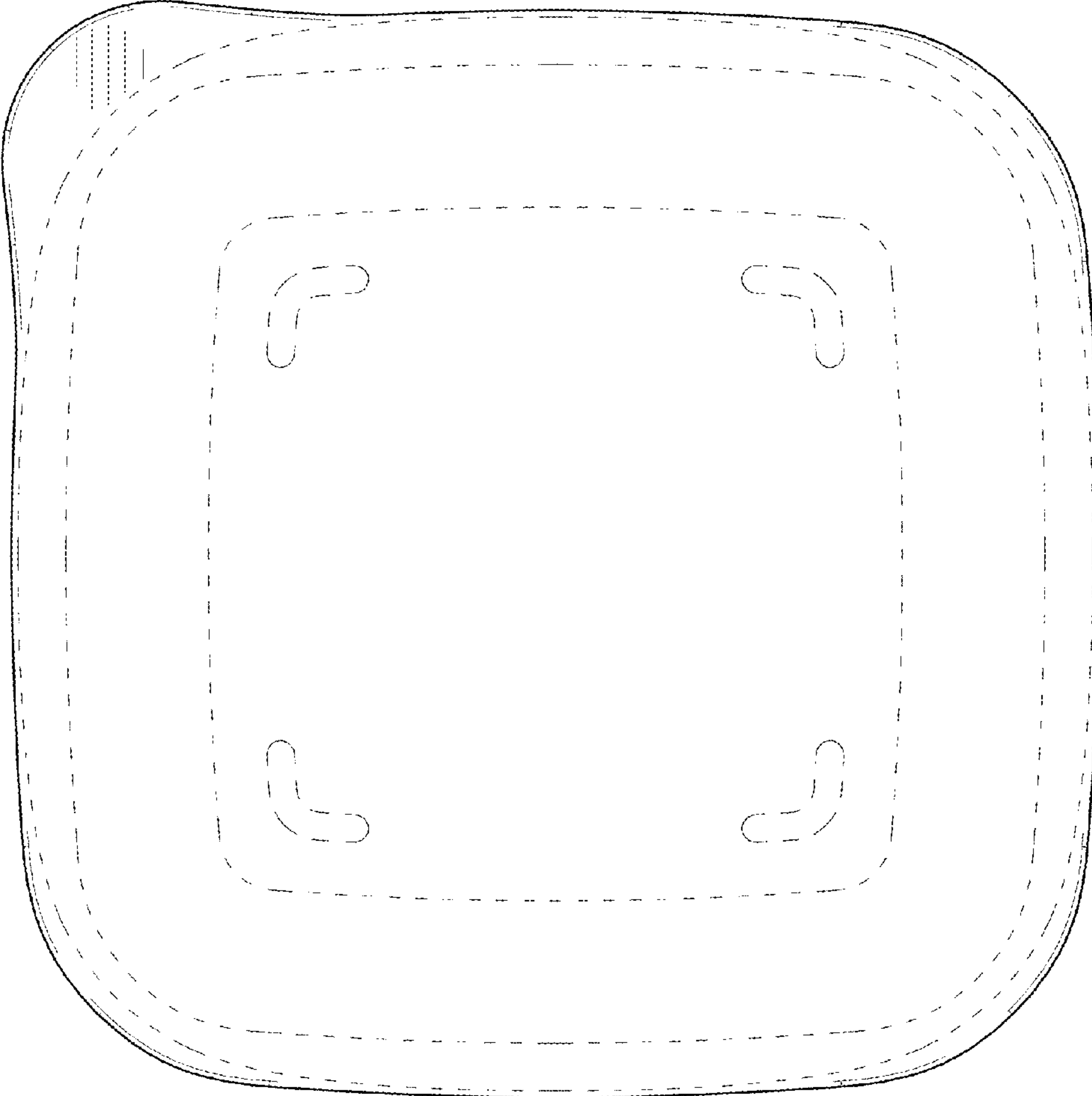


FIG. 7