

US00D766650S

(12) **United States Design Patent** (10) **Patent No.:** **US D766,650 S**
Middleton et al. (45) **Date of Patent:** **** Sep. 20, 2016**

(54) **LID** D205,150 S * 6/1966 Cornwell D7/360
D285,906 S 9/1986 Tyler
(71) Applicant: **ABBOTT LABORATORIES**, Abbott D308,340 S 6/1990 Llsen
Park, IL (US) D311,334 S * 10/1990 Flynn D7/629

(Continued)

(72) Inventors: **Jason Middleton**, Dublin, OH (US);
Spencer Beaufore, Dublin, OH (US);
Jeremy McBroom, Columbus, OH
(US); **Sriram Tharmapuram**, Dublin,
OH (US); **Kevin Paulus**, Lancaster, OH
(US)

FOREIGN PATENT DOCUMENTS

EP 2030908 3/2009
WO 2010141841 12/2010

(73) Assignee: **ABBOTT LABORATORIES**, Abbott
Park, IL (US)

Restriction Requirement from U.S. Appl. No. 29/507,750 dated
Mar. 2, 2016.

(Continued)

(**) Term: **14 Years**

(21) Appl. No.: **29/507,751**

Primary Examiner — Ricky Pham

(22) Filed: **Oct. 30, 2014**

(74) *Attorney, Agent, or Firm* — Calfee, Halter & Griswold
LLP

(51) **LOC (10) Cl.** **07-02**

(52) **U.S. Cl.**
USPC **D7/391**

(57) **CLAIM**

We claim the ornamental design for a lid, as shown and
described.

(58) **Field of Classification Search**
USPC D7/360, 362, 391, 392, 392.1, 393, 397,
D7/629; D9/414, 424–432, 435, 451–452,
D9/503; D24/232

DESCRIPTION

CPC A47J 36/027; A47J 36/06; A47J 37/10;
A47J 37/101; B60B 33/08; B65D 21/0209;
B65D 21/0219; B65D 43/00; B65D 43/02;
B65D 43/022; B65D 43/161; B65D 43/162;
B65D 45/00; B65D 45/16; B65D 45/18;
B65D 51/16; B65D 51/1683; B65D 51/1688;
B65D 51/1694; B65F 1/1615
See application file for complete search history.

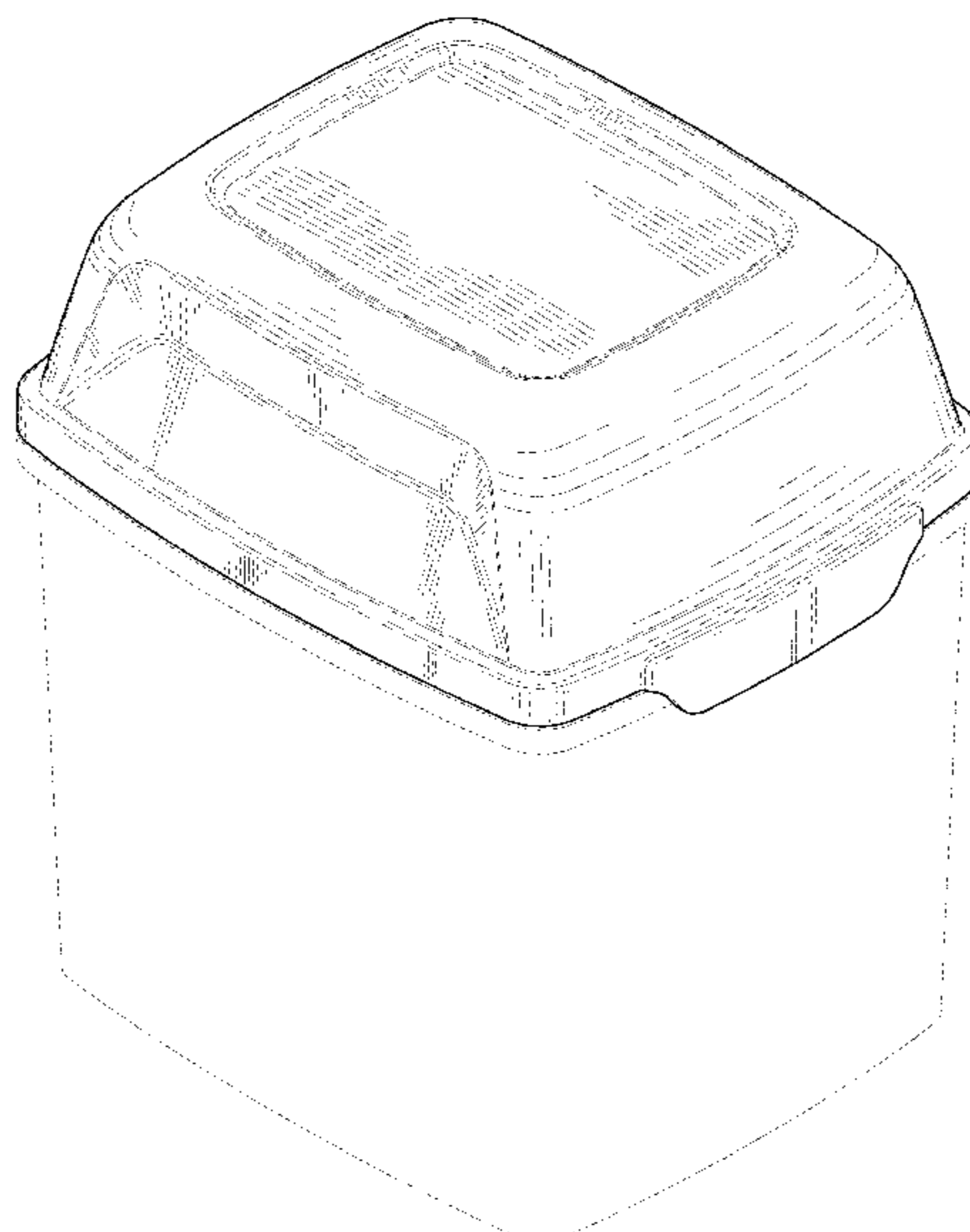
FIG. 1 is a front perspective view of a lid, with an exemplary
receptacle, showing the new design;
FIG. 2 is a bottom perspective view of the lid of FIG. 1;
FIG. 3 is a left side view of the lid of FIG. 1, the right side
view being essentially a mirror image thereof;
FIG. 4 is a front view of the receptacle of FIG. 1, the rear
view being essentially a mirror image thereof;
FIG. 5 is a top view of the lid of FIG. 1;
FIG. 6 is a bottom view of the lid of FIG. 1; and,
FIG. 7 is an enlarged view of the designated area of FIG. 2.
The broken lines shown in the drawings are for illustrative
purposes only and form no part of the claimed design.

(56) **References Cited**

U.S. PATENT DOCUMENTS

2,780,259 A 2/1957 Nalle, Jr.
D197,243 S * 12/1963 Ernest D7/360

1 Claim, 6 Drawing Sheets



(56)

References Cited

U.S. PATENT DOCUMENTS

D326,391 S 5/1992 Verchere
 D329,930 S 9/1992 Delmerico
 D336,017 S 6/1993 Smith
 D342,609 S 12/1993 Brightbill
 D351,090 S 10/1994 Narsutis
 D360,898 S 8/1995 Huerto
 D372,401 S 8/1996 Lillelund
 5,718,350 A * 2/1998 Williams B65D 21/0219
 220/326
 D416,797 S 11/1999 Rabe
 D418,055 S 12/1999 Veto
 D441,599 S * 5/2001 Garber D7/391
 D451,765 S 12/2001 Israel
 D473,789 S 4/2003 Crawford
 D484,797 S * 1/2004 Kipperman D9/424
 D493,073 S 7/2004 Kim
 D540,039 S 4/2007 Van Beuningen
 D547,177 S 7/2007 Sherman
 D553,980 S 10/2007 Verweyst
 7,350,789 B2 * 4/2008 Uffner B60B 33/08
 206/503
 D576,035 S 9/2008 Perry
 D595,128 S 6/2009 Bouveret
 D620,746 S * 8/2010 Hsiao D7/354
 D630,900 S 1/2011 Samartgis
 D645,748 S * 9/2011 Sharma D7/629
 D649,839 S 12/2011 Stamper
 D654,690 S 2/2012 Sofy
 D667,699 S 9/2012 Brockington

D669,778 S 10/2012 Houlton
 D675,477 S * 2/2013 McGrath, Jr. D7/391
 D676,739 S * 2/2013 McGrath, Jr. D7/629
 D682,045 S 5/2013 Myoung
 D682,046 S 5/2013 Myoung
 D682,047 S 5/2013 Myoung
 8,511,499 B2 8/2013 Perry et al.
 D697,762 S 1/2014 Carlson
 D702,509 S 4/2014 Segal
 D719,731 S 12/2014 Burgess
 D732,879 S * 6/2015 Miles D7/354
 D733,320 S * 6/2015 Perry D24/231
 D741,665 S 10/2015 Bagley
 2006/0076352 A1 4/2006 Peterson
 2008/0041861 A1 2/2008 Crawford et al.
 2010/0308065 A1 12/2010 Vandamme et al.
 2011/0192847 A1 8/2011 Vandamme et al.
 2011/0315686 A1 12/2011 Siddiqui et al.
 2012/0000925 A1 1/2012 Dols et al.
 2012/0061413 A1 3/2012 Dols et al.
 2014/0097183 A1 4/2014 McGrath et al.

OTHER PUBLICATIONS

Notice of Allowance from from U.S. Appl. No. 29/507,750 dated Jul. 15, 2016.
 Ex Parte Quayle Office Action from U.S. Appl. No. 29/507,752 dated Jul. 29, 2016.
 Office Action from U.S. Appl. No. 29/522,201 dated May 18, 2016.
 Response to Restriction Requirement from from U.S. Appl. No. 29/507,752 dated Jul. 18, 2016.

* cited by examiner

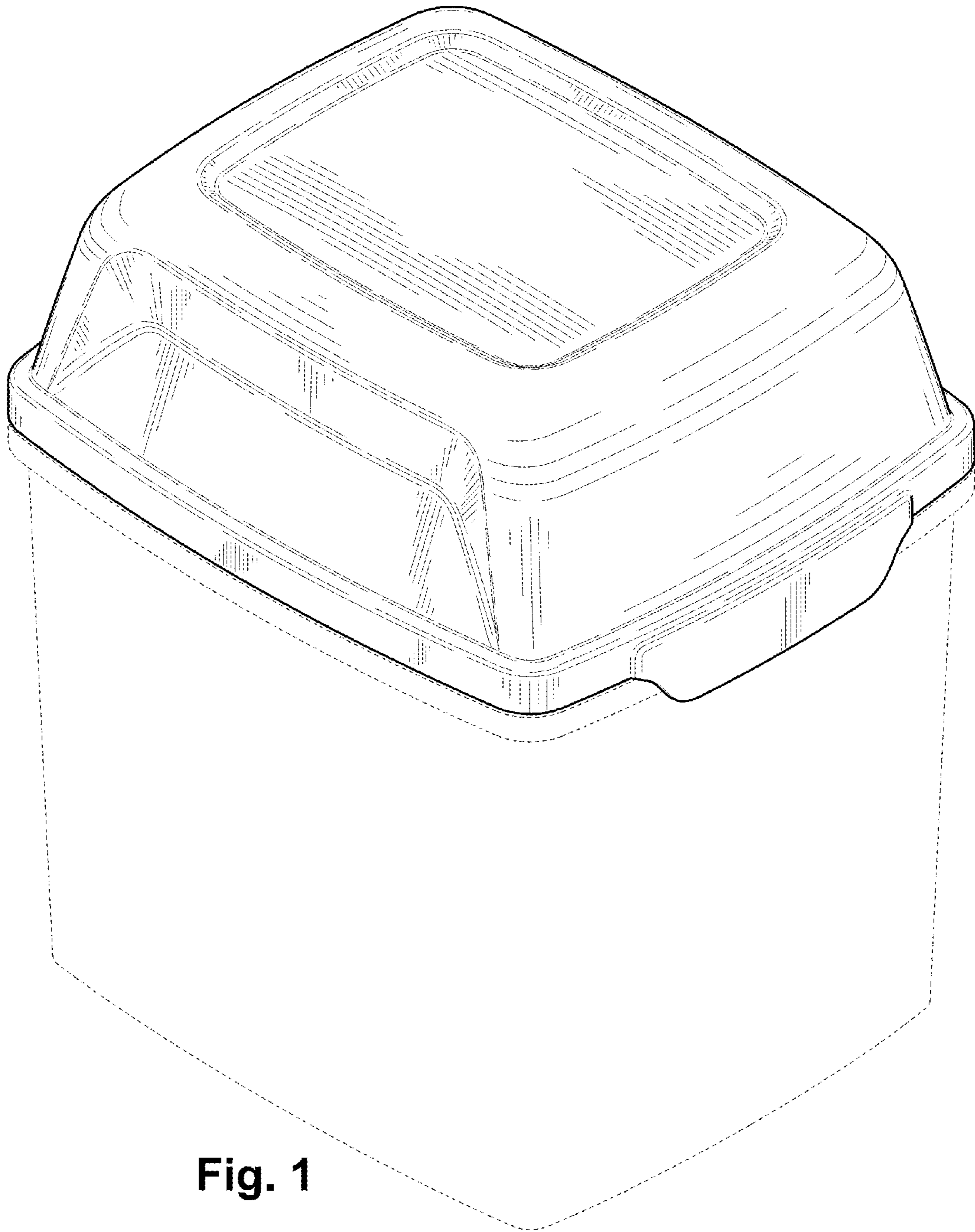


Fig. 1

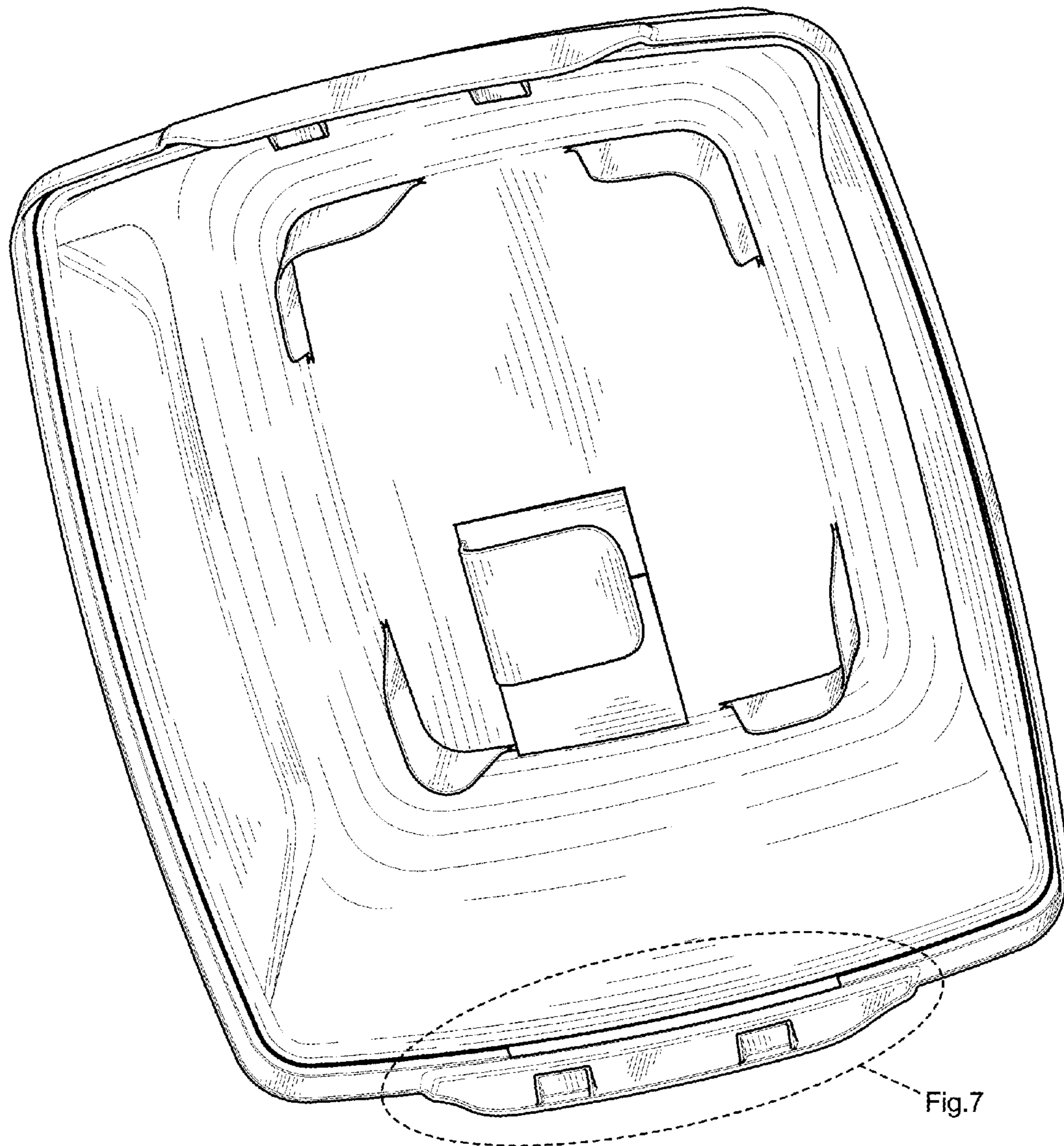
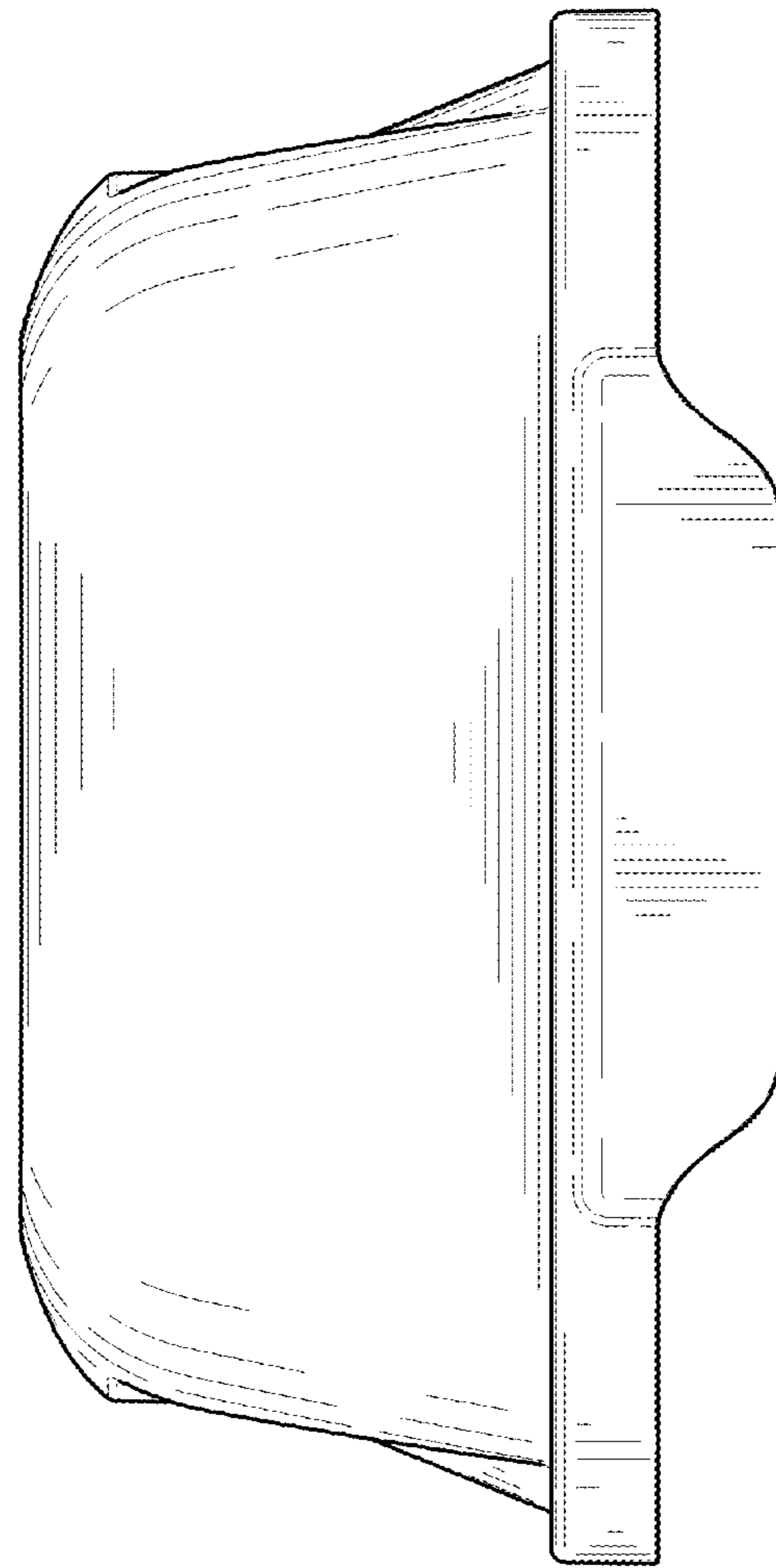
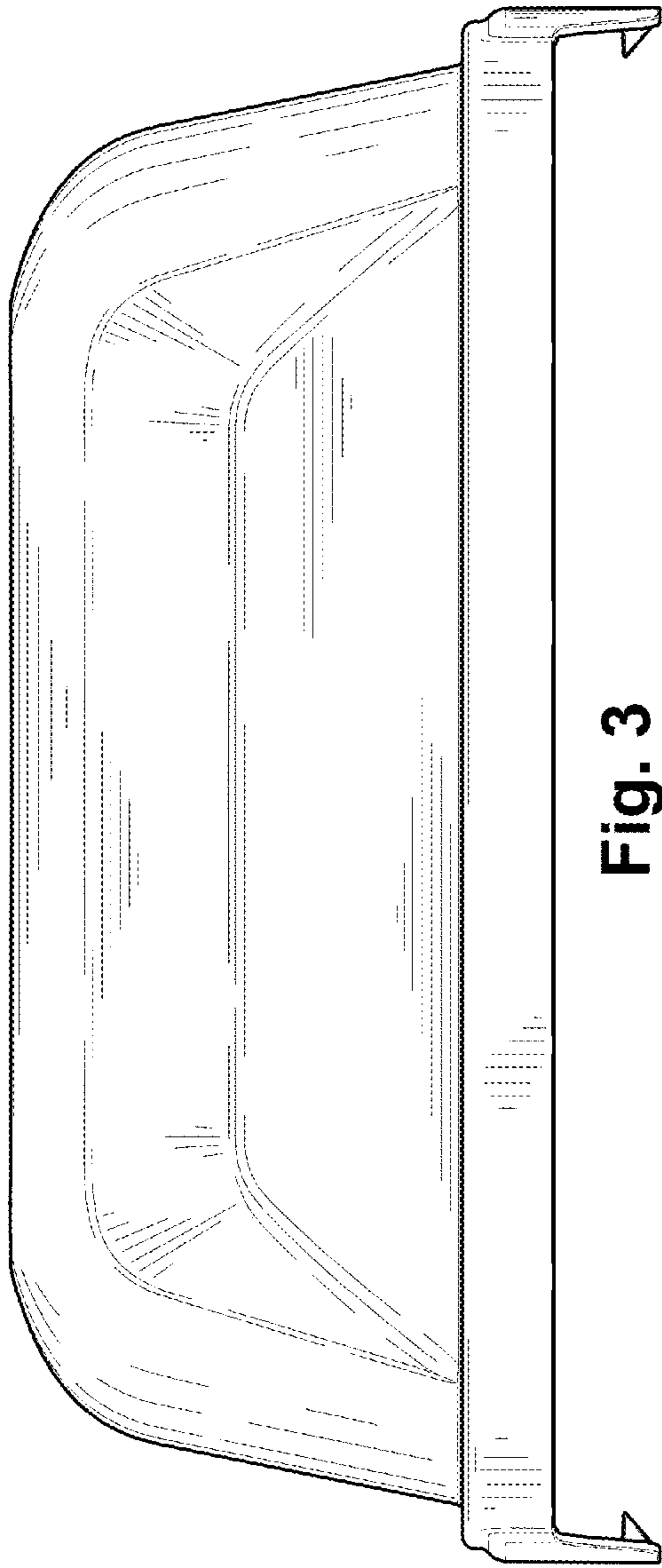


Fig. 2



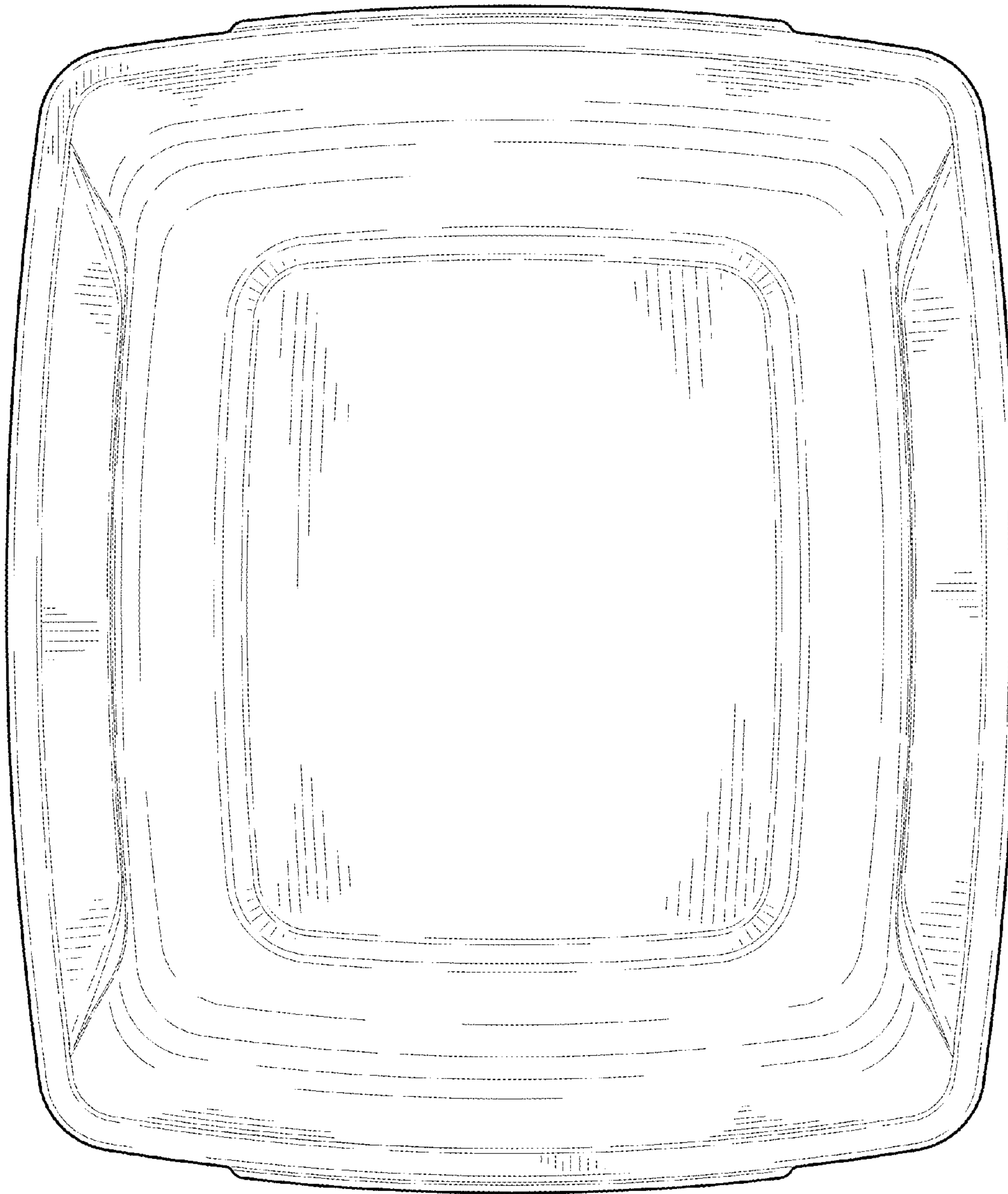


Fig. 5

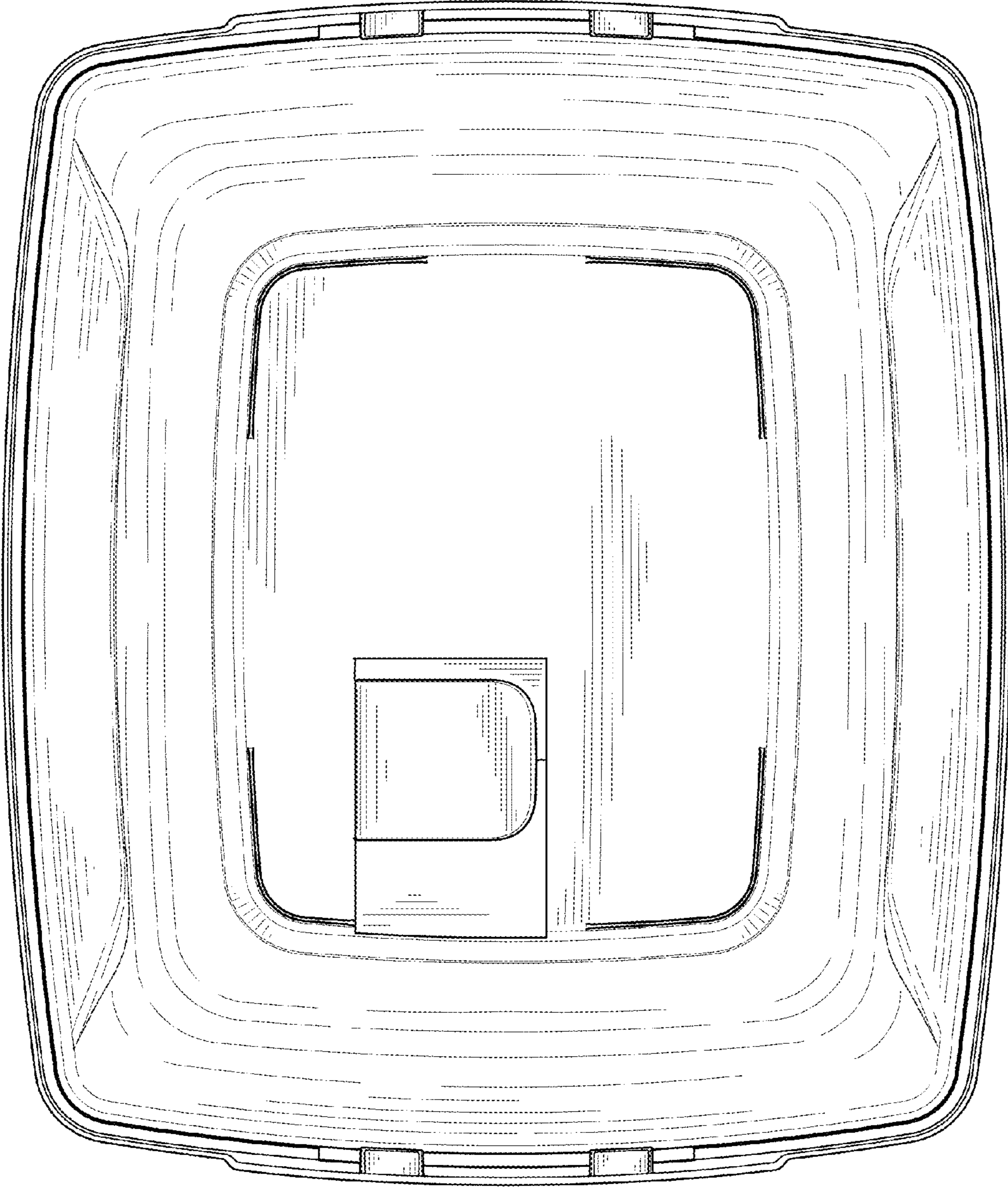


Fig. 6

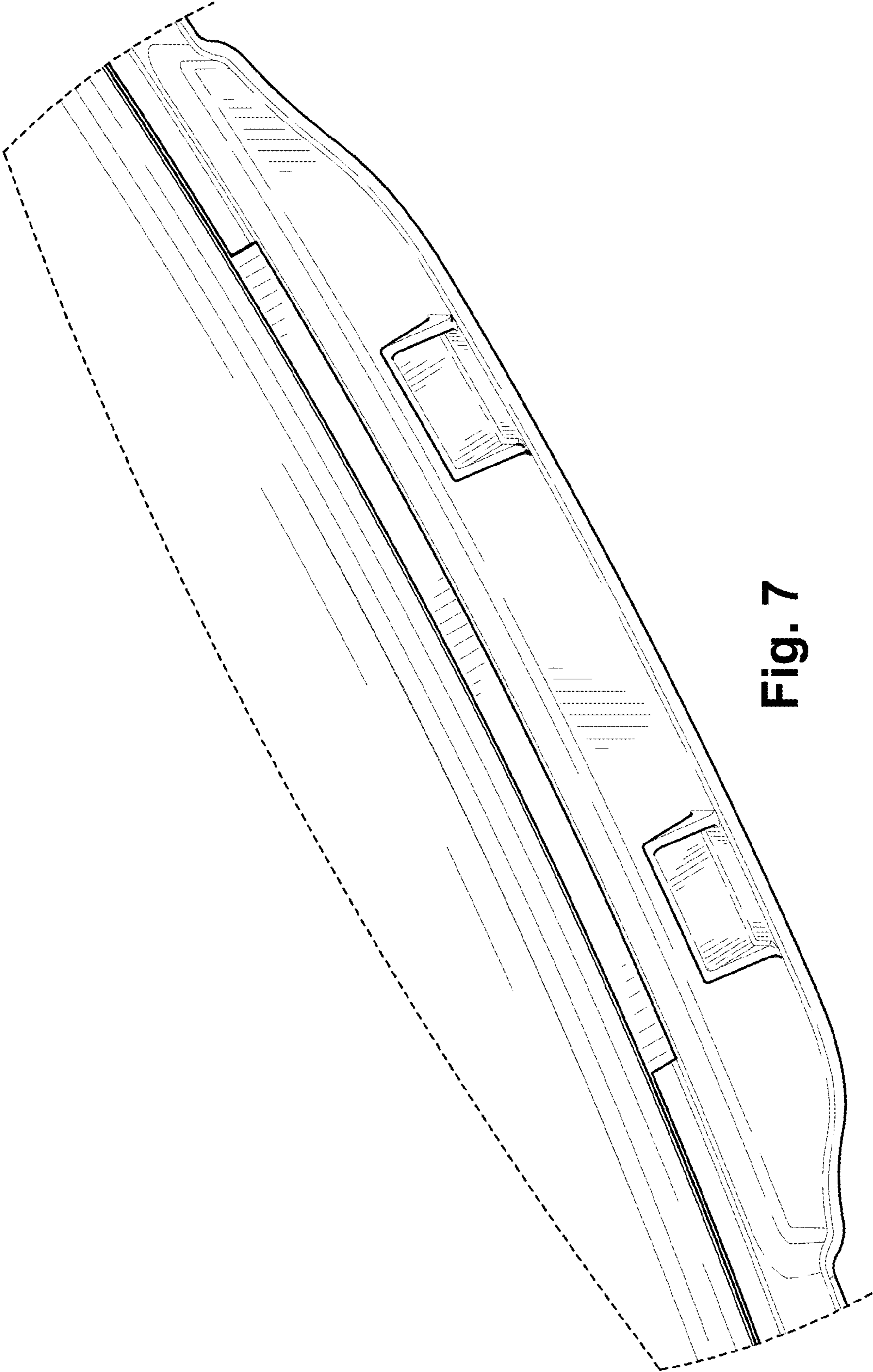


Fig. 7