



US00D766649S

(12) **United States Design Patent**  
**Suzuki**

(10) **Patent No.:** **US D766,649 S**

(45) **Date of Patent:** **\*\* Sep. 20, 2016**

(54) **BLENDER BASE**

(71) Applicant: **Panasonic Intellectual Property Management Co., Ltd.**, Osaka-shi, Osaka (JP)

(72) Inventor: **Tomohisa Suzuki**, Kyoto (JP)

(73) Assignee: **PANASONIC INTELLECTUAL PROPERTY MANAGEMENT CO., LTD.**, Osaka (JP)

(\*\*) Term: **15 Years**

(21) Appl. No.: **29/530,828**

(22) Filed: **Jun. 19, 2015**

(51) **LOC (10) Cl.** ..... **31-00**

(52) **U.S. Cl.**  
USPC ..... **D7/386; D7/376; D7/378; D7/412**

(58) **Field of Classification Search**  
USPC ..... D7/372, 376-386, 412-413, 602, 629, D7/665-666, 669, 679, 693-694  
CPC ..... A21C 1/02; A21C 1/04; A23N 1/00; A23N 1/02; A47J 43/04; A47J 43/25; A47J 43/27; A47J 43/042; A47J 43/044; A47J 43/046; A47J 43/075; A47J 43/0722; A47J 43/0727; B01F 3/00; B01F 3/0807; B01F 3/0853; B01F 13/0059; B01F 13/0064; B02C 1/08; B02C 2/04; B02C 4/42; B02C 4/142; B02C 4/143; B02C 4/423; B02C 13/1835; B28C 5/10; B28C 5/12; B28C 5/14; B28C 5/16; H02P 7/295  
See application file for complete search history.

(56) **References Cited**

**U.S. PATENT DOCUMENTS**

D181,541 S \* 11/1957 Madl et al. .... D7/378  
D187,684 S \* 4/1960 Hauser ..... D7/378  
D200,494 S \* 3/1965 Bezark ..... D7/378  
D204,117 S \* 3/1966 Di Sesa ..... D7/378

3,548,280 A \* 12/1970 Cockroft ..... H02P 7/295  
241/282.1  
D242,208 S \* 11/1976 Madl et al. .... D7/378  
D616,244 S \* 5/2010 Thai ..... D7/378  
D642,857 S \* 8/2011 Bodum ..... D7/376  
D642,858 S \* 8/2011 Lazzer ..... D7/376  
D702,078 S \* 4/2014 Coakley ..... D7/376  
D731,234 S \* 6/2015 Weaden ..... D7/376  
D747,135 S \* 1/2016 Ha ..... D7/376  
D758,787 S \* 6/2016 Ou ..... D7/376

**FOREIGN PATENT DOCUMENTS**

CN 301493872 S 3/2011  
CN 301722469 S 11/2011  
CN 301762111 S 12/2011  
EM 001160642-0006 9/2009  
EM 002445080-0001 5/2014  
EM 002498998-0001 7/2014  
JP D1355989 S 4/2009  
JP D1472222 S 6/2013

\* cited by examiner

*Primary Examiner* — Ricky Pham

(74) *Attorney, Agent, or Firm* — Brinks Gilson & Lione

(57) **CLAIM**

I claim the ornamental design for a blender base, as shown and described.

**DESCRIPTION**

FIG. 1 is a top and front perspective view of a blender base of the present invention;  
FIG. 2 is a top and rear perspective view thereof;  
FIG. 3 is a front view thereof;  
FIG. 4 is a top view thereof;  
FIG. 5 is a bottom view thereof;  
FIG. 6 is a first side view thereof;  
FIG. 7 is a second side view thereof; and,  
FIG. 8 is a rear view thereof.  
The broken lines shown represent unclaimed subject matter and form no part of the claimed design.

**1 Claim, 8 Drawing Sheets**

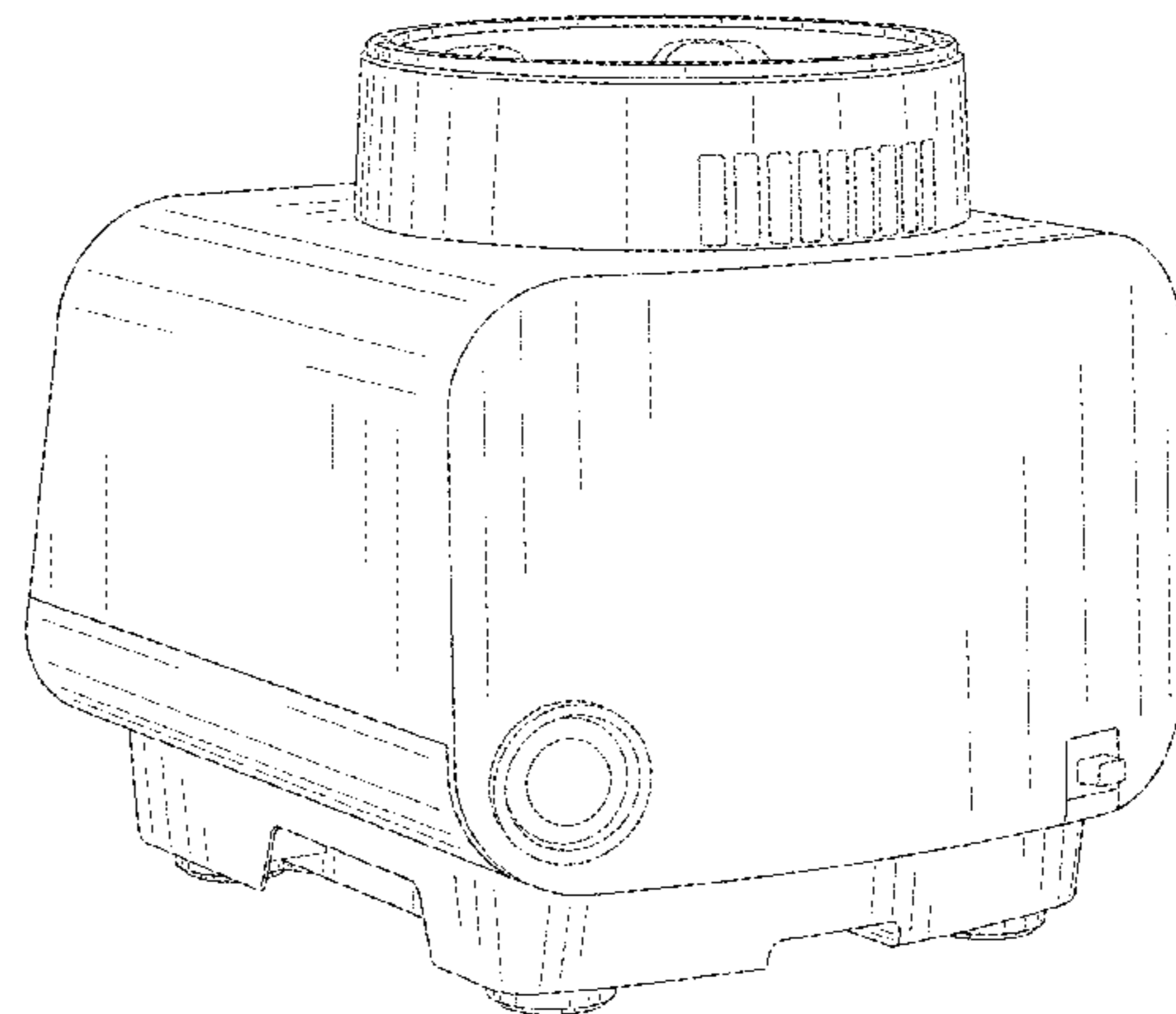
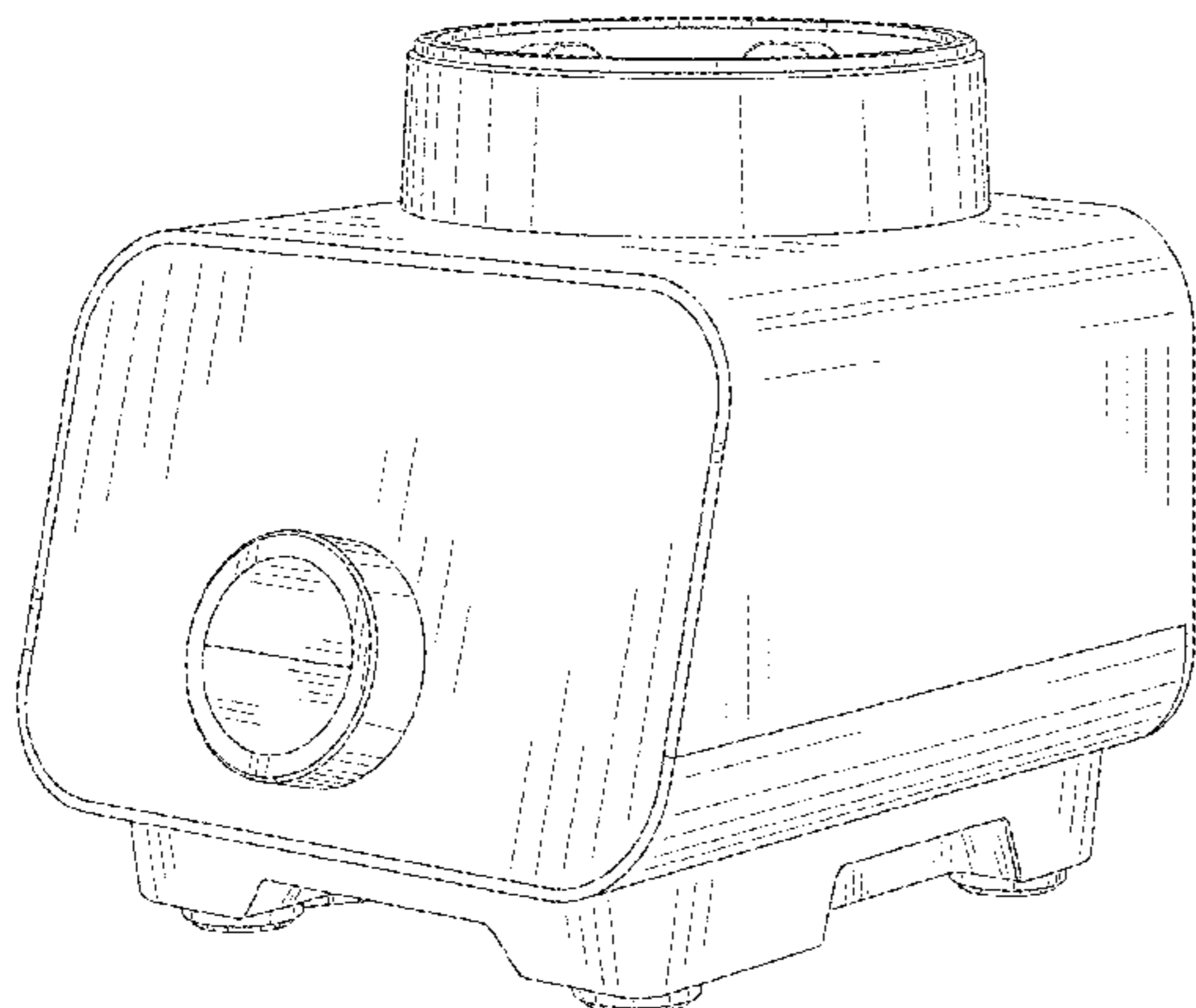


FIG. 1

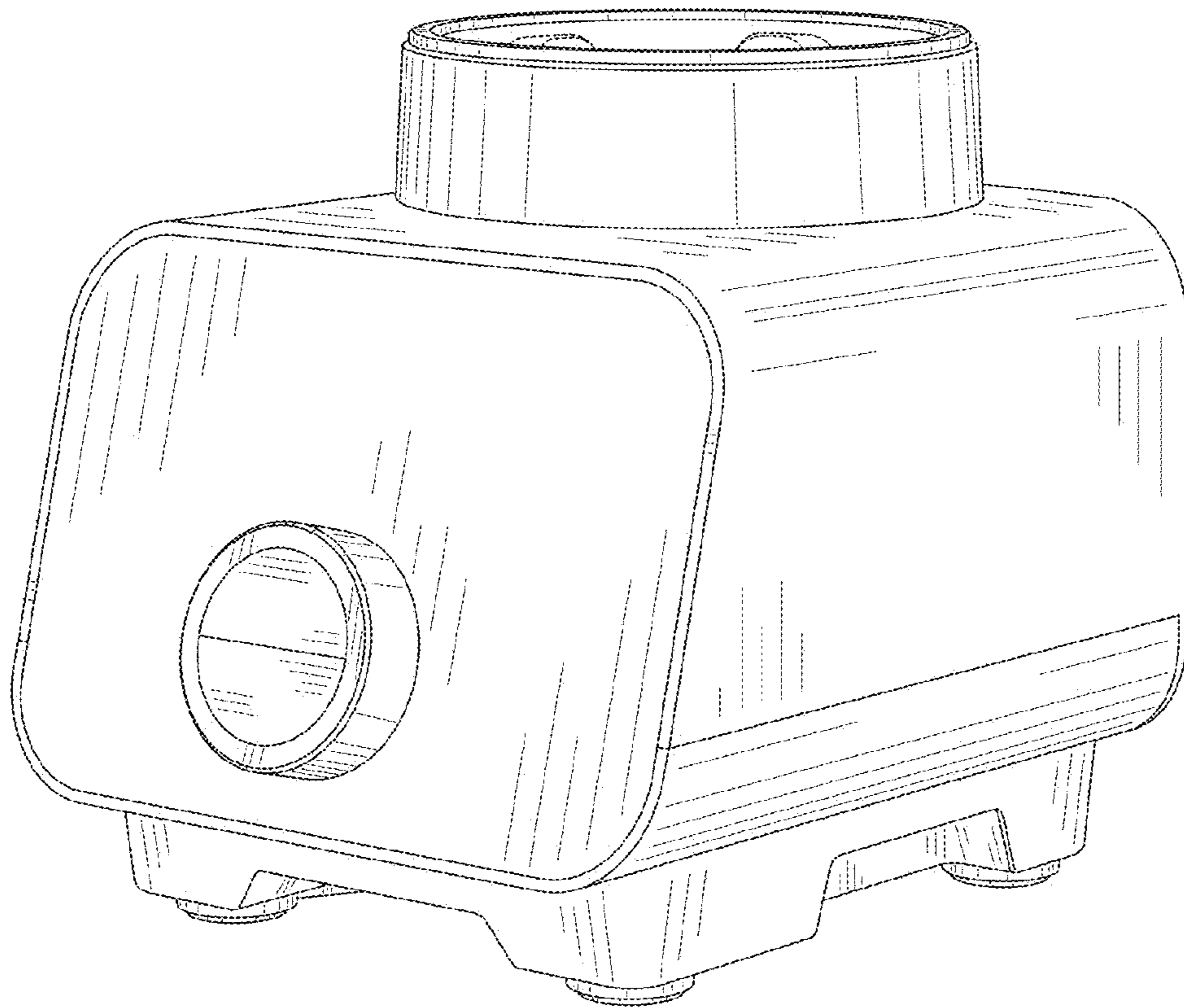


FIG.2

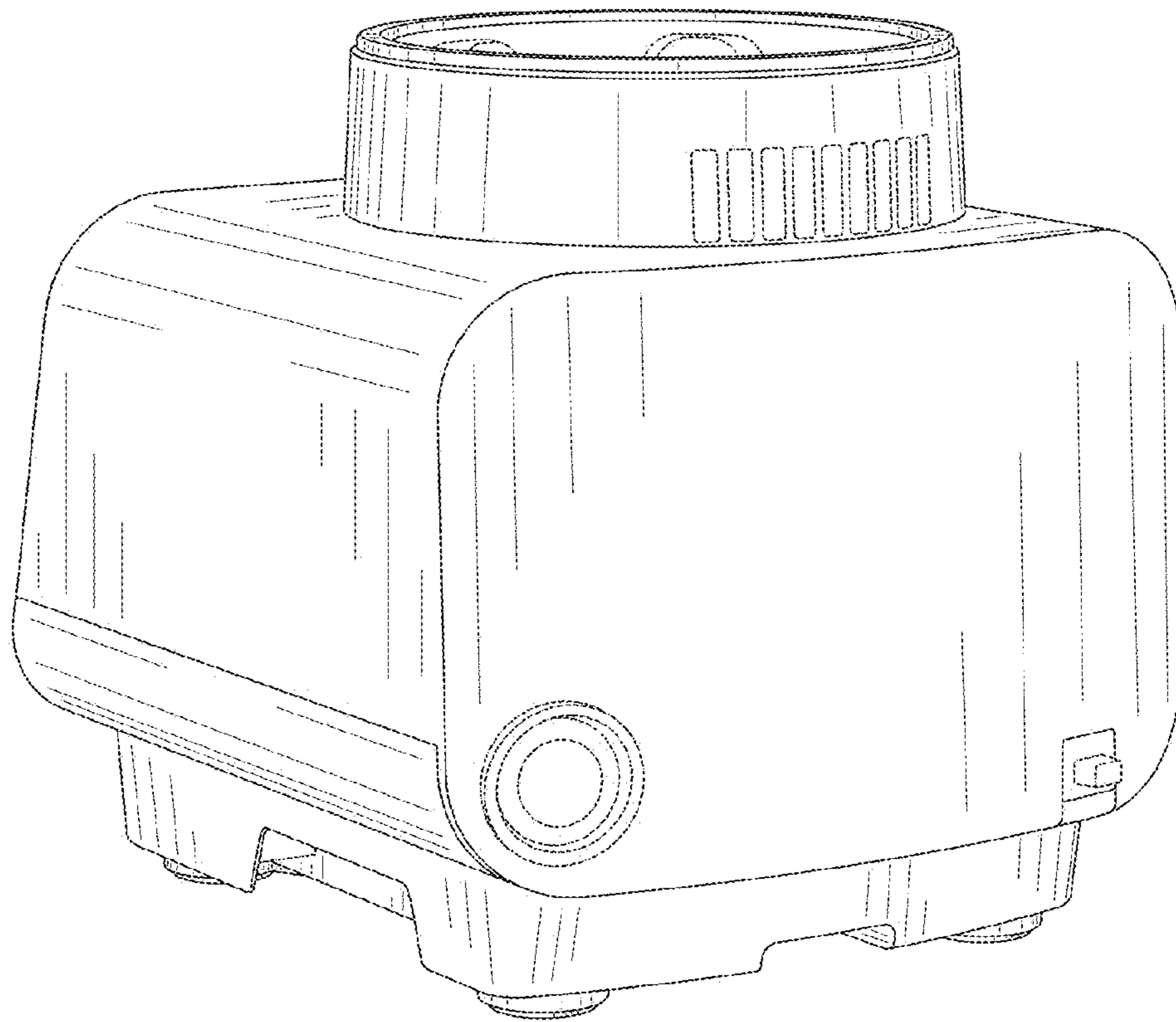


FIG.3

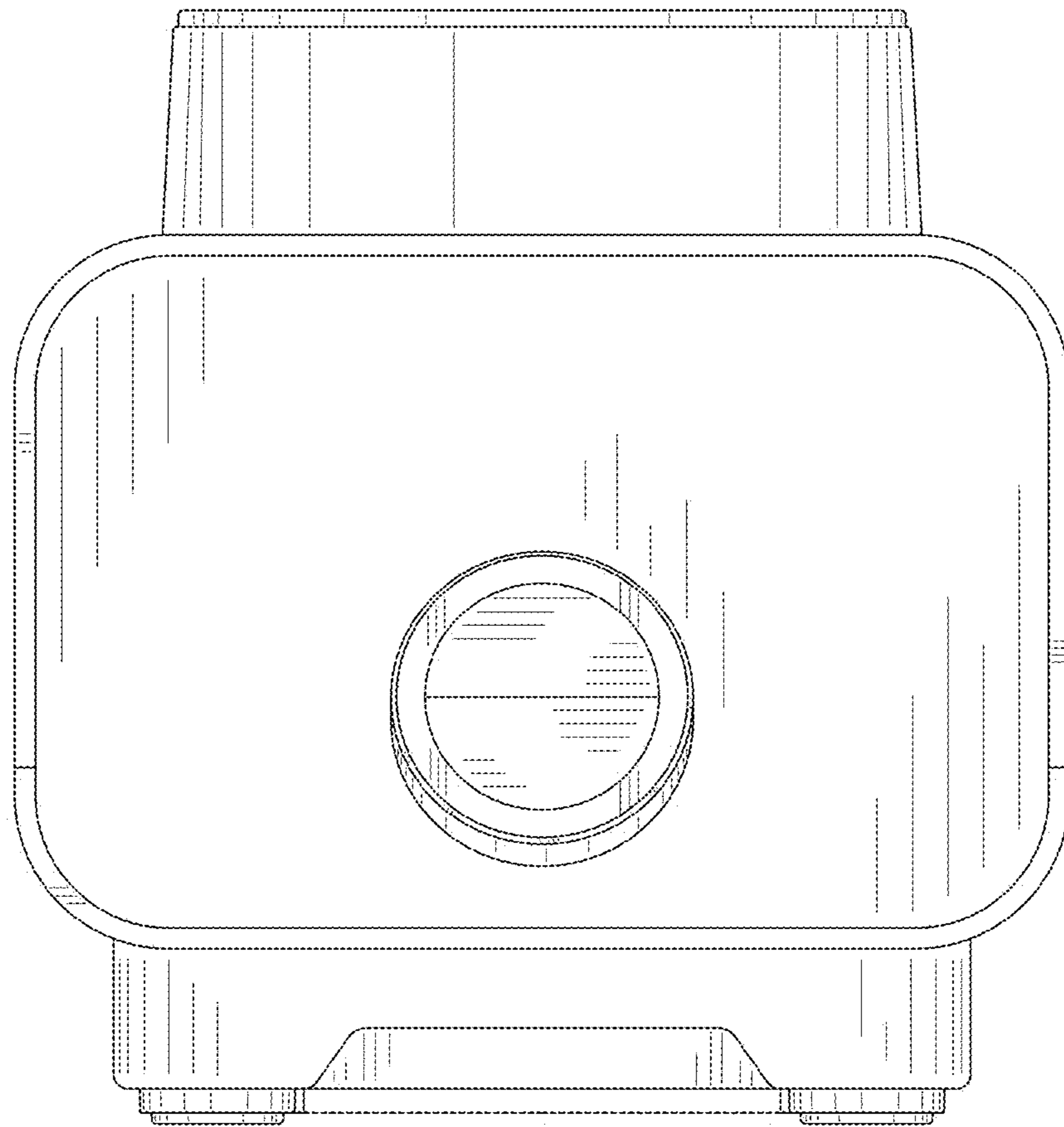


FIG.4

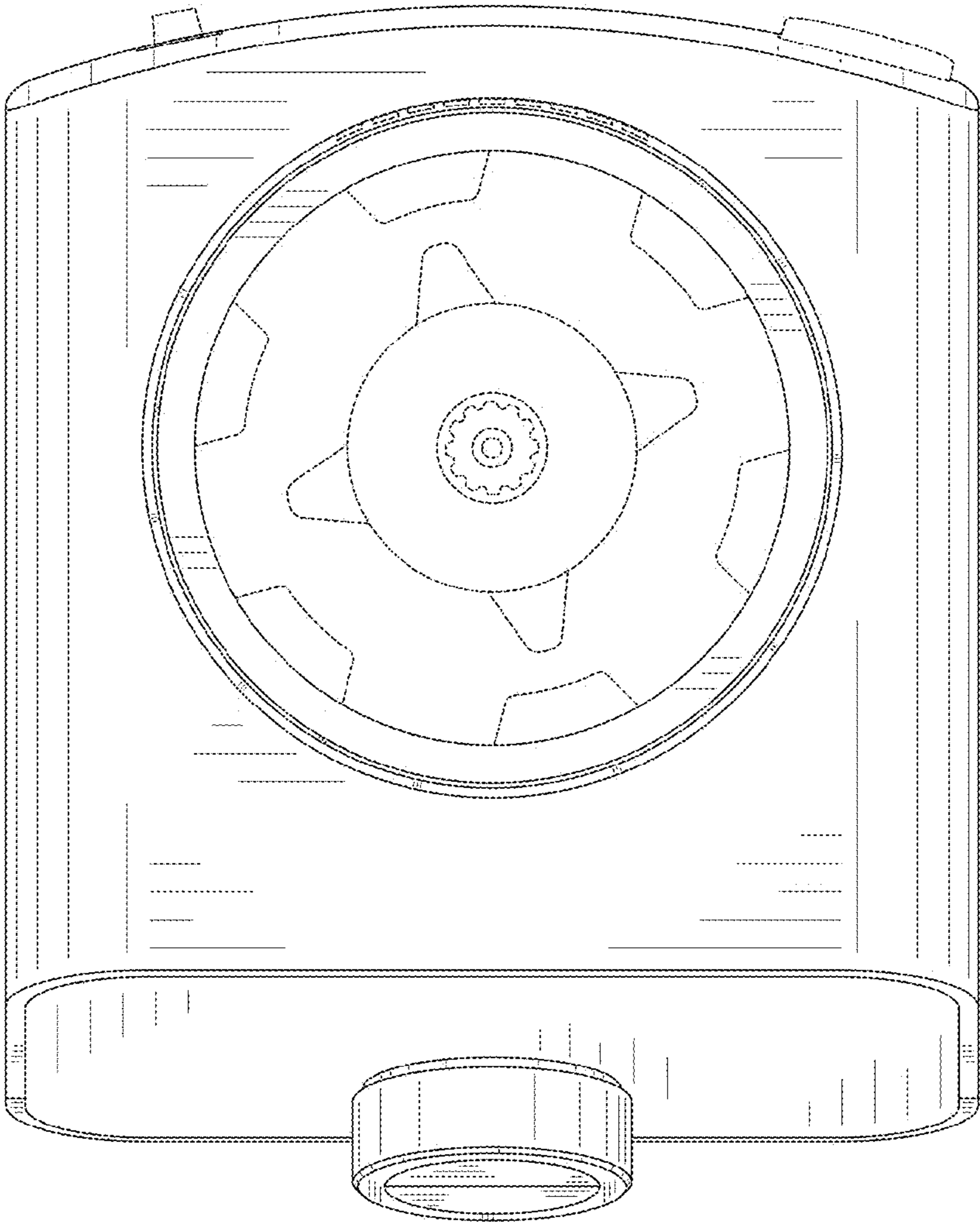


FIG.5

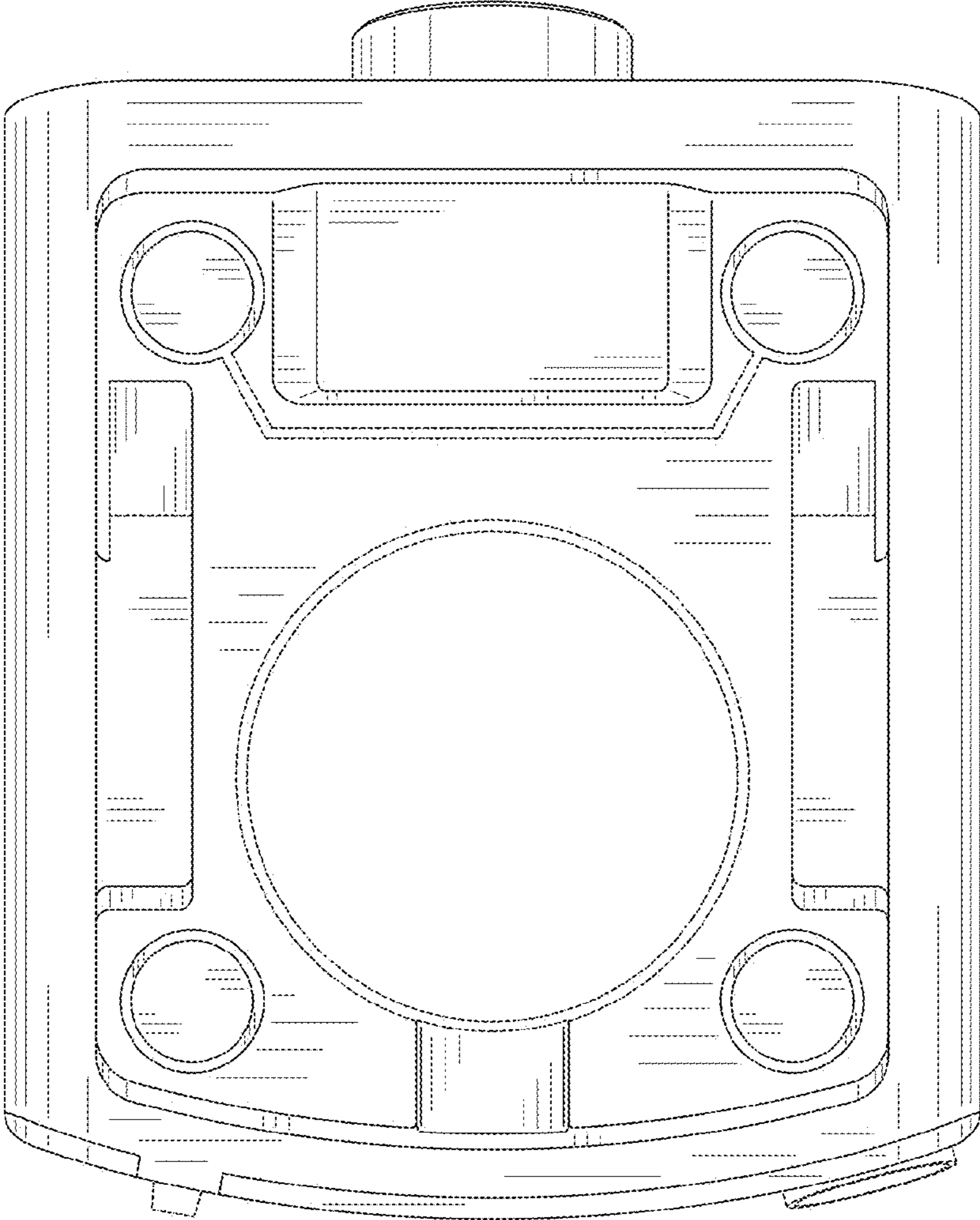


FIG.6

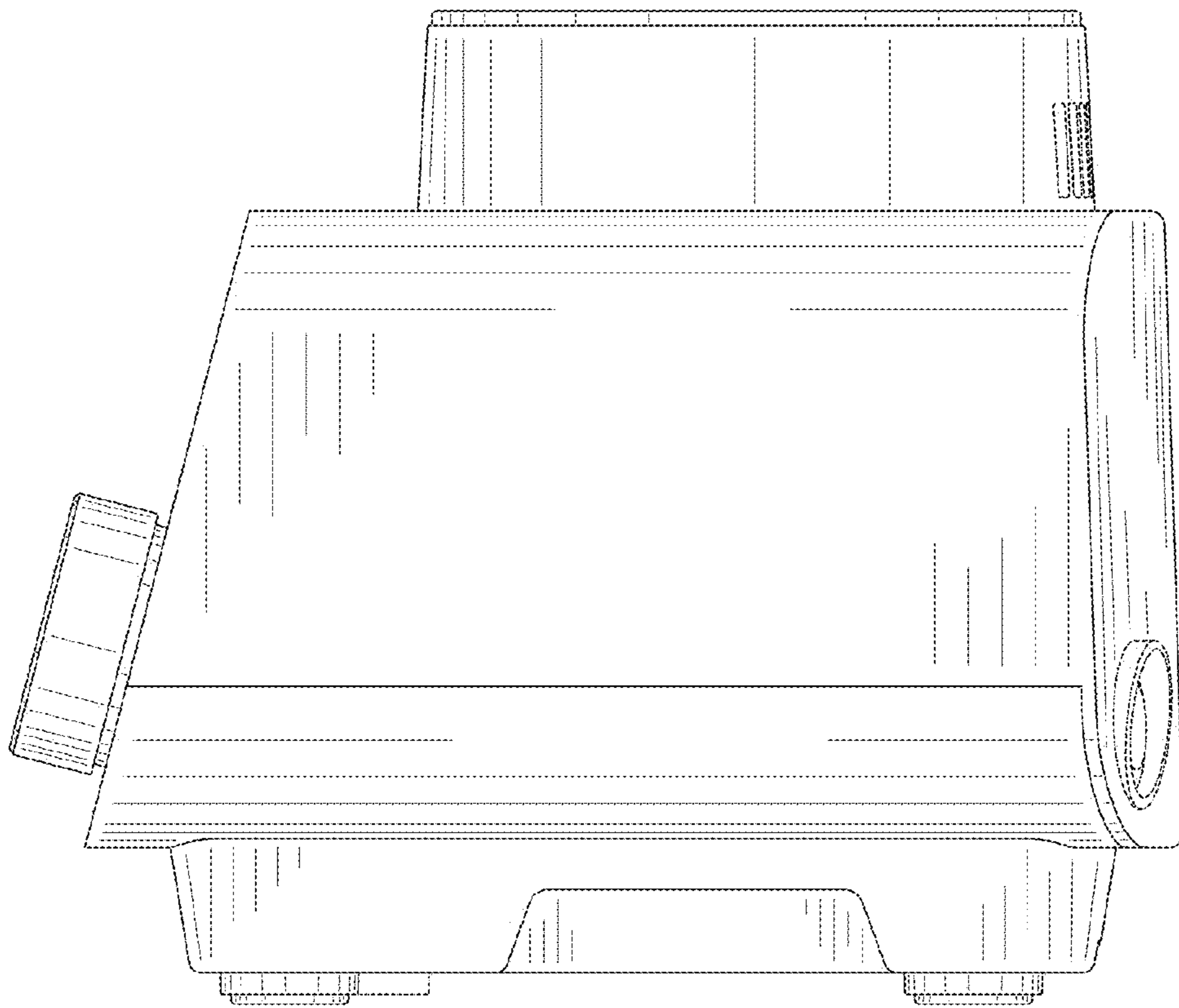


FIG. 7

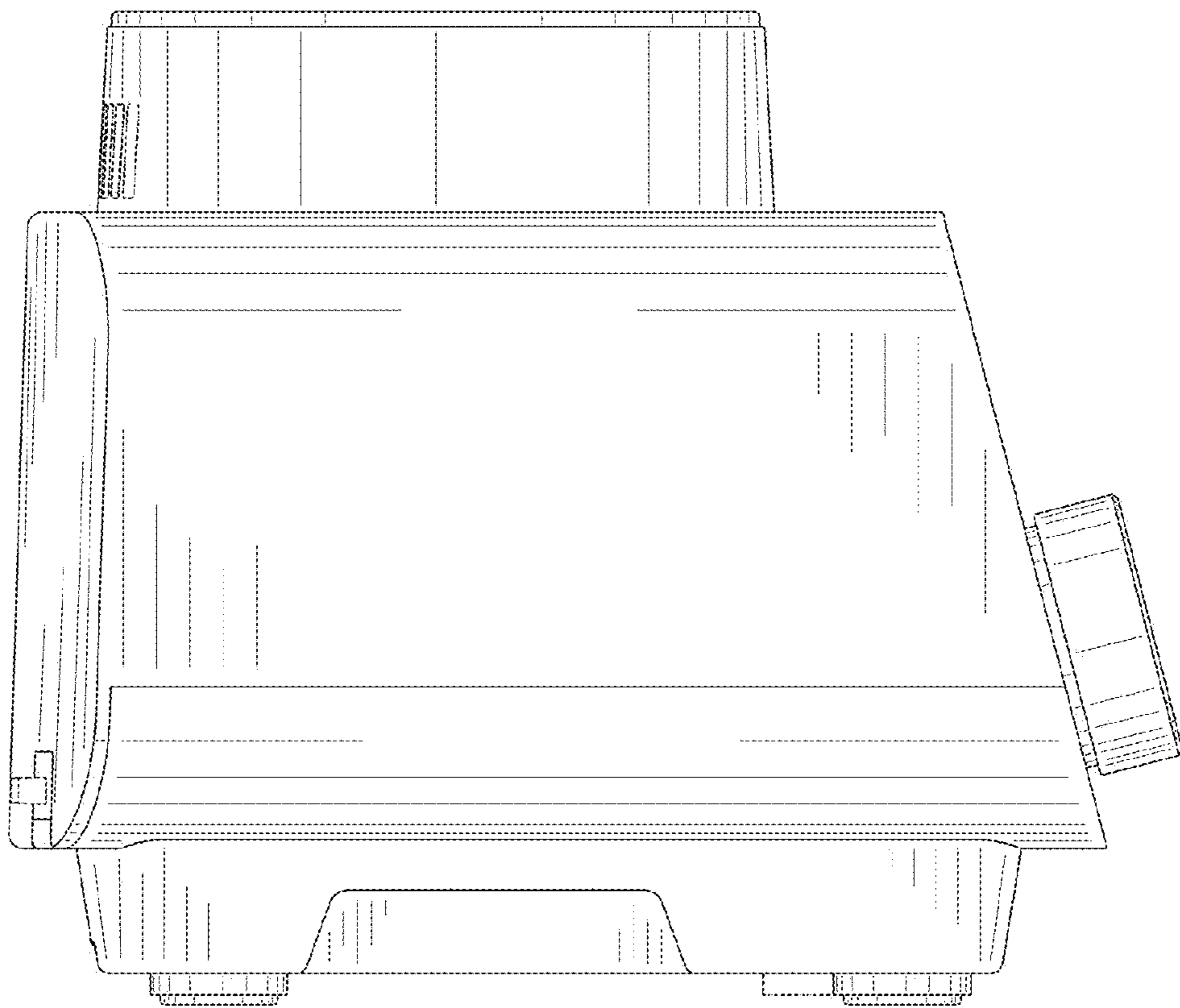




FIG. 8

