



US00D766648S

(12) **United States Design Patent**
Calkins

(10) **Patent No.:** **US D766,648 S**

(45) **Date of Patent:** **** Sep. 20, 2016**

(54) **DISPOSABLE FOIL PAN**

(71) Applicant: **Mark A. Calkins**, San Jacinto, CA
(US)

(72) Inventor: **Mark A. Calkins**, San Jacinto, CA
(US)

(73) Assignee: **KITTRICH CORPORATION**,
Pomona, CA (US)

(**) Term: **14 Years**

(21) Appl. No.: **29/508,635**

(22) Filed: **Nov. 7, 2014**

(51) **LOC (10) Cl.** **07-02**

(52) **U.S. Cl.**
USPC **D7/359; D7/354**

(58) **Field of Classification Search**
USPC D7/323, 354–361, 367, 396.1, 402,
D7/542–543, 545, 549, 550.1,
D7/553.1–553.8, 554.1–554.4, 555, 584,
D7/586; D9/430–433, 455–456, 737,
D9/756–762; D23/419
CPC A21B 3/00; A21B 3/13; A21B 3/15;
A21B 3/134; A21B 5/00; A21B 5/02; A47J
27/004; A47J 27/022; A47J 36/022; A47J
36/025; A47J 36/027; A47J 36/34; A47J
37/00; A47J 37/04; B65D 1/22; B65D 1/24;
B65D 1/34; B65D 1/36; B65D 81/343;
B65D 85/36; F24C 15/10
See application file for complete search history.

(56) **References Cited**

U.S. PATENT DOCUMENTS

1,613,534 A * 1/1927 Rice F24C 15/10
126/215
D99,555 S * 5/1936 Smith D7/360
D340,517 S * 10/1993 Gross D23/419
D392,152 S * 3/1998 Rae D7/354
6,082,249 A * 7/2000 Su A47J 27/004
99/340

D440,112 S * 4/2001 Su D7/362
D499,933 S * 12/2004 Rutter D7/359
D669,730 S * 10/2012 Mandil D7/354
D710,647 S * 8/2014 Mandil D7/354

(Continued)

Primary Examiner — Ricky Pham

(74) *Attorney, Agent, or Firm* — Leason Ellis LLP

(57) **CLAIM**

The ornamental design for a disposable foil pan, as shown and described.

DESCRIPTION

FIG. 1 is a top perspective view of a bottom portion of a disposable foil pan in accordance with the invention shown; FIG. 2 is a top view of the bottom portion of a disposable foil pan of FIG. 1;

FIG. 3 is a bottom perspective view of the bottom portion of a disposable foil pan of FIG. 1;

FIG. 4 is a bottom view of the bottom portion of a disposable foil pan of FIG. 1;

FIG. 5 is a cross-sectional view of the bottom portion of a disposable foil pan taken through line 5-5 of FIG. 2;

FIG. 6 is a cross-sectional view showing an enlarged segment of the bottom portion of a disposable foil pan of FIG. 5;

FIG. 7 is a top perspective view showing an enlarged section of the bottom portion of a disposable foil pan of FIG. 1;

FIG. 8 is a top perspective view of a bottom portion of a disposable foil pan in accordance with a second embodiment of the present invention;

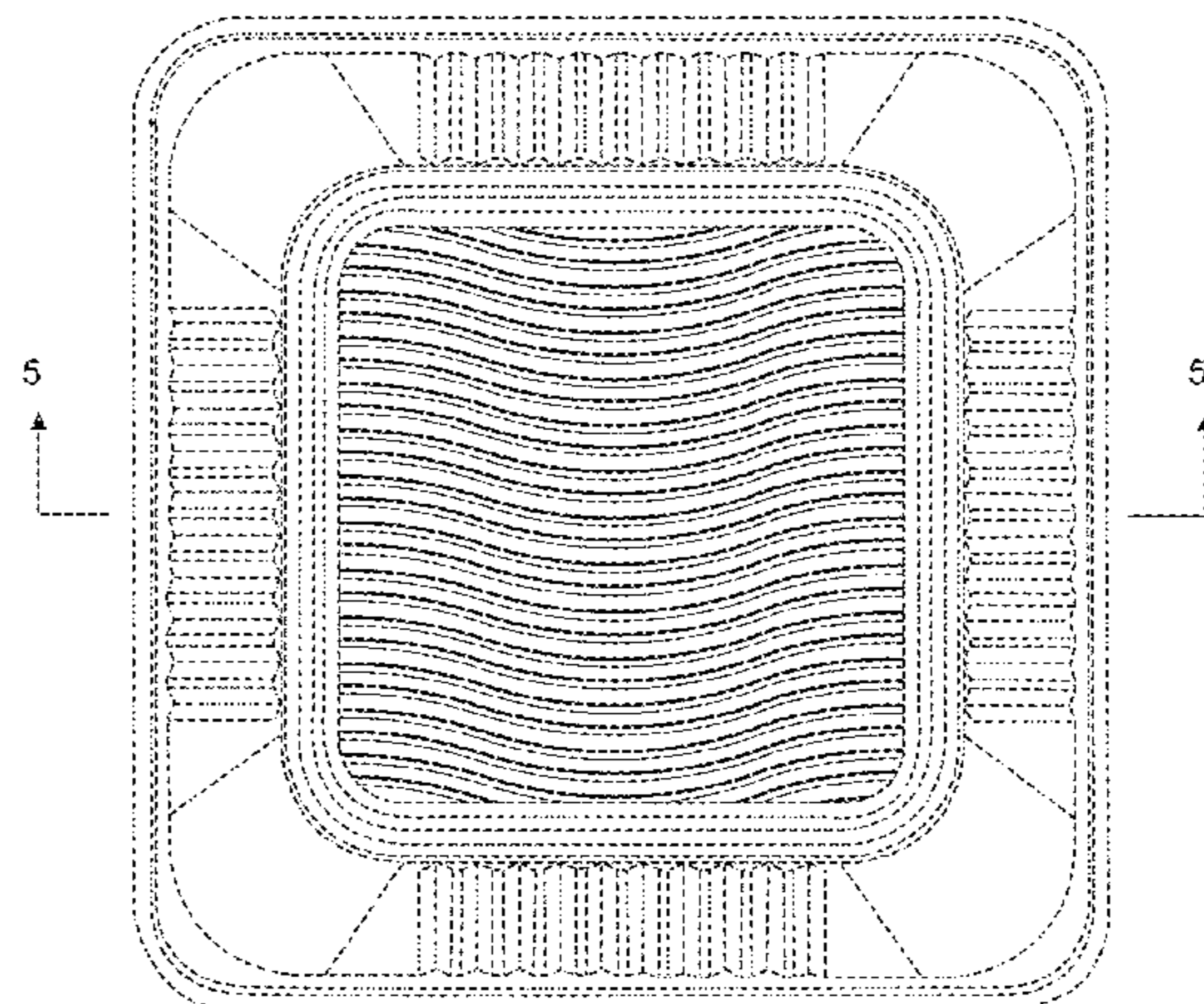
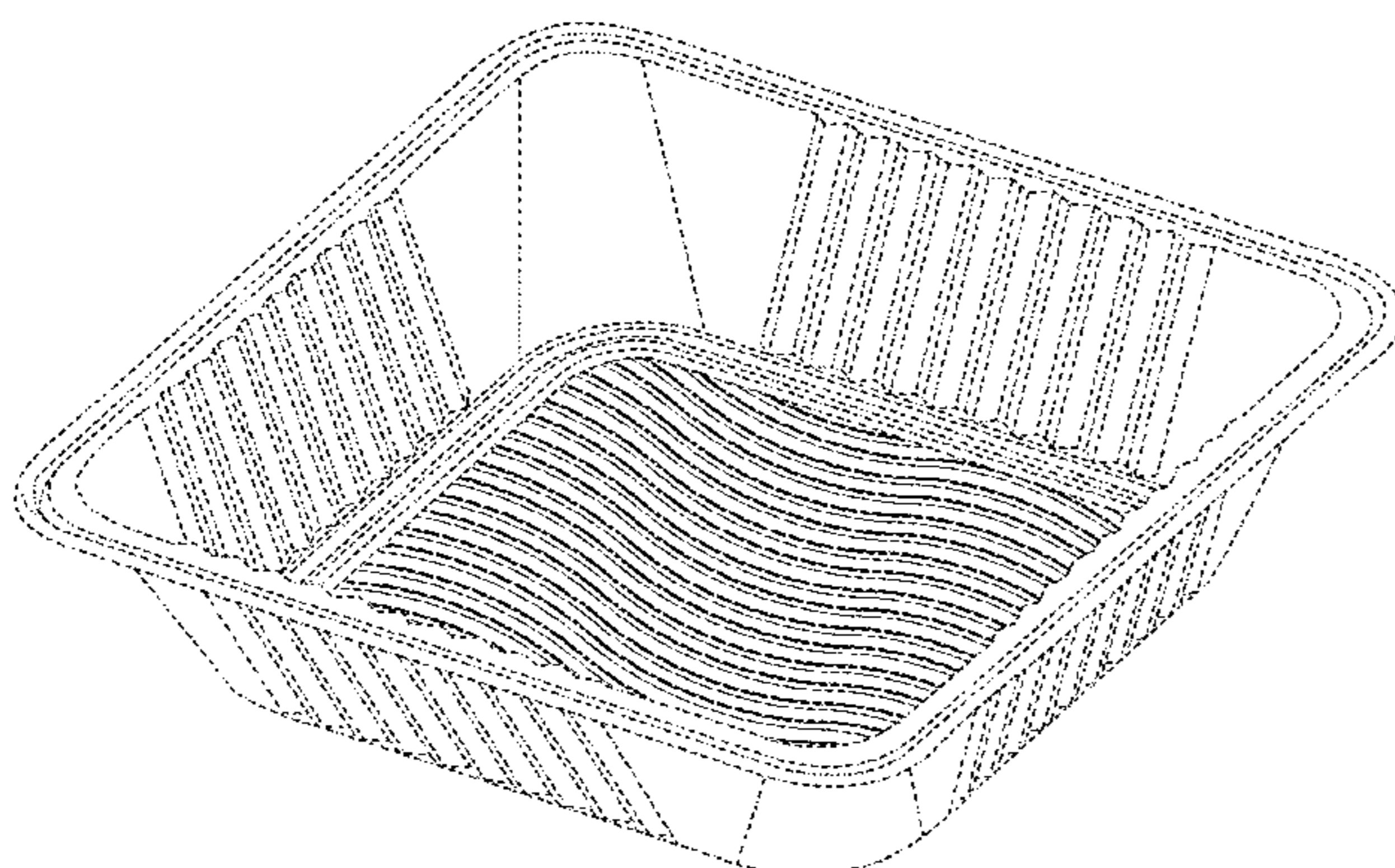
FIG. 9 is a top view of the bottom portion of a disposable foil pan of FIG. 8;

FIG. 10 is a bottom perspective view of the bottom portion of a disposable foil pan of FIG. 8; and,

FIG. 11 is a bottom view of the bottom portion of a disposable foil pan of FIG. 8.

The broken lines are for the purpose of illustrating portions of the disposable foil pan and forms no part of the claimed design.

1 Claim, 9 Drawing Sheets



US D766,648 S

Page 2

(56)

References Cited

U.S. PATENT DOCUMENTS

			D757,484 S *	5/2016	Brown	D7/354	
			2010/0206884 A1 *	8/2010	Tunstall	A47J 27/022	
							220/573.1	
	9,055,842 B2 *	6/2015	Kim	A47J 36/34			
	D735,520 S *	8/2015	Mandil	D7/354			* cited by examiner

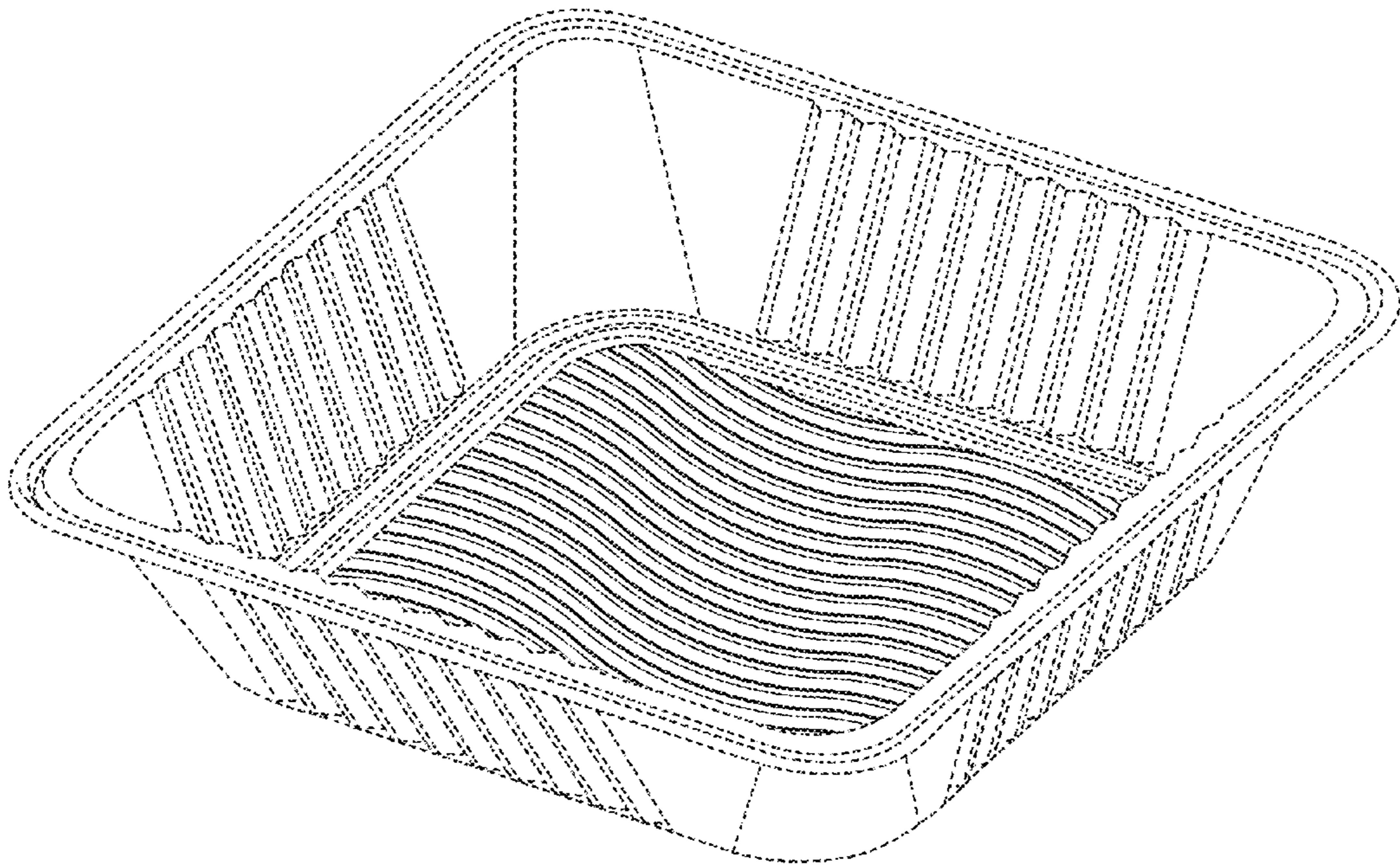


FIG. 1

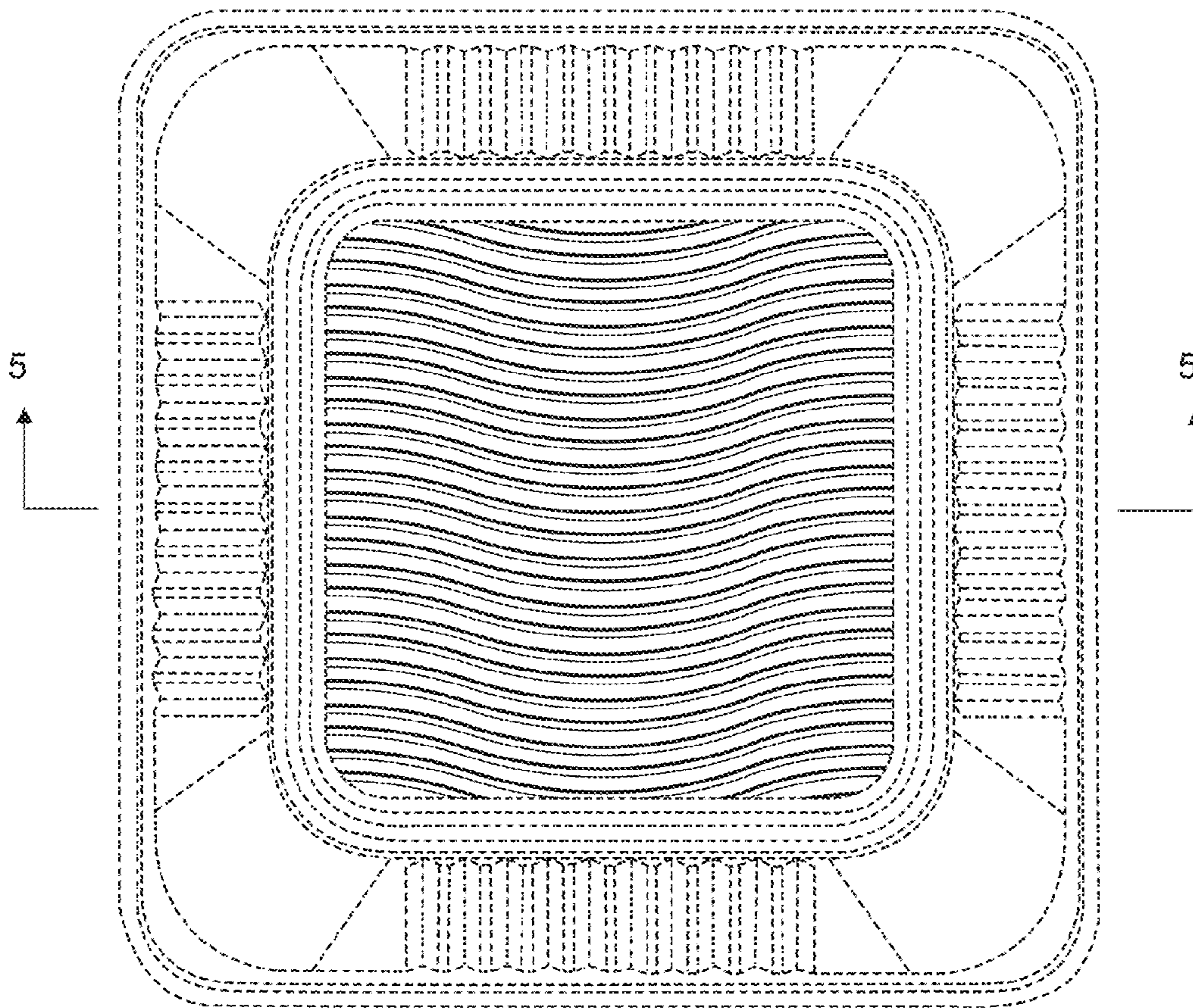


FIG. 2

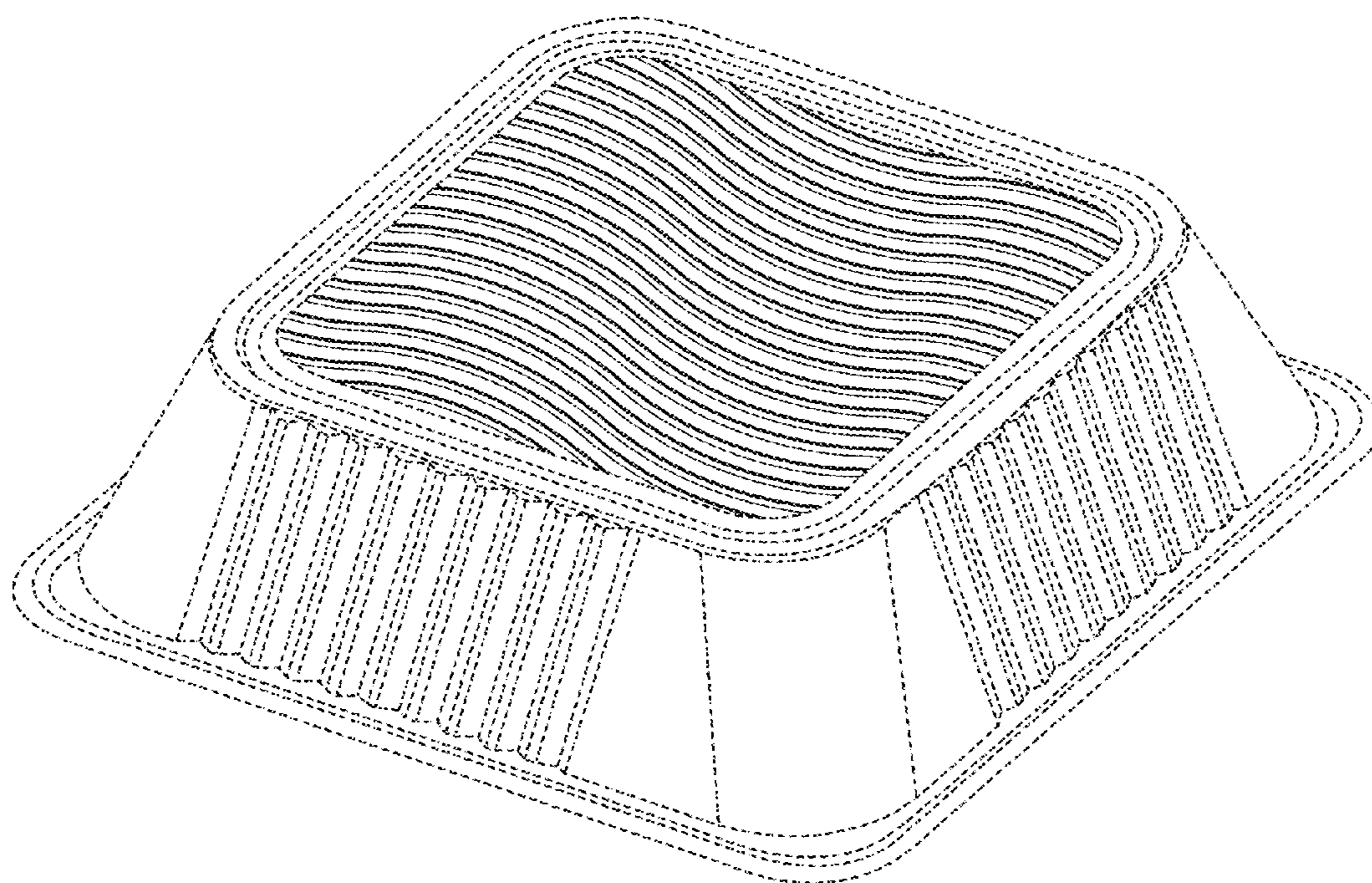


FIG. 3

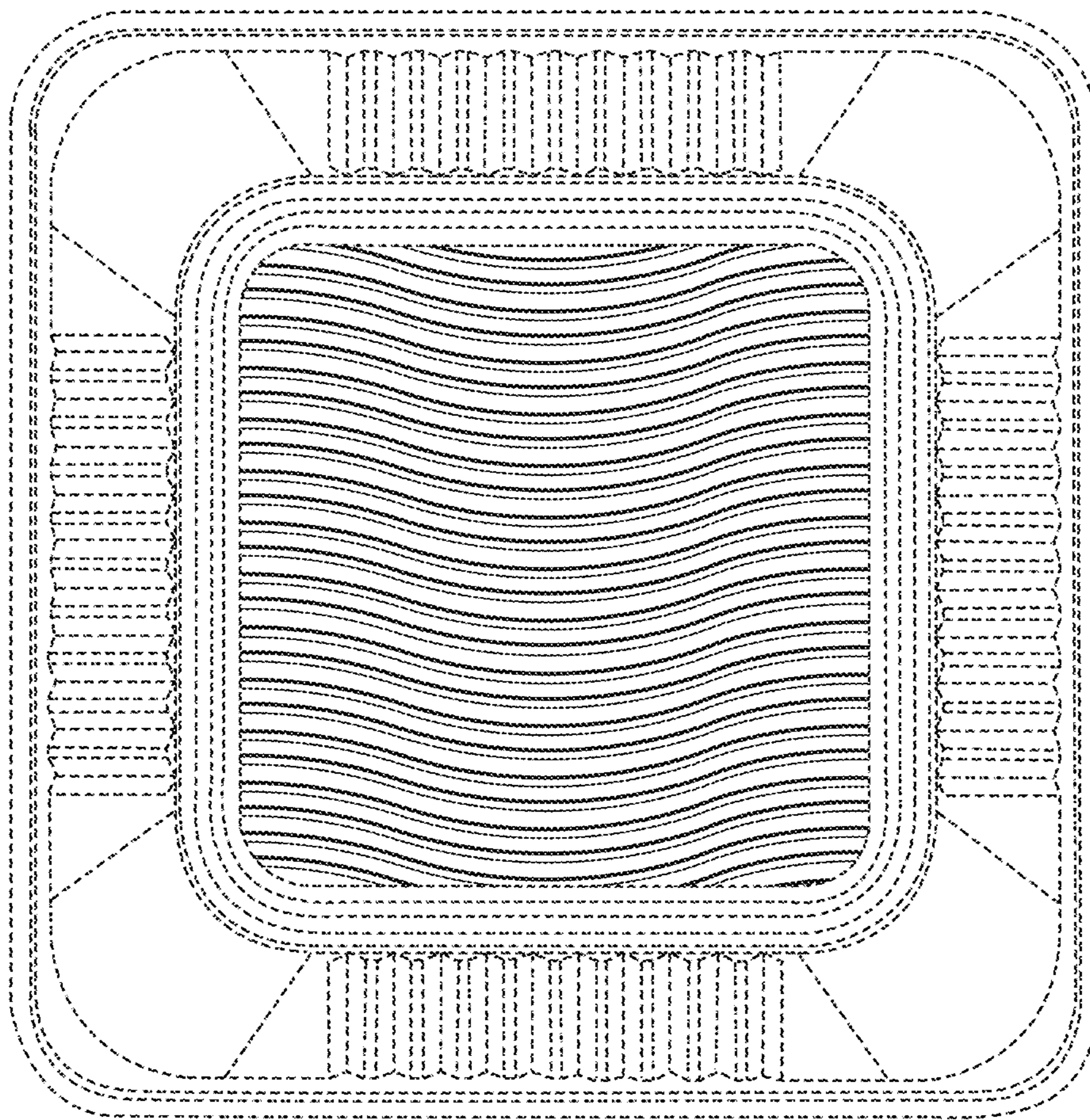


FIG. 4

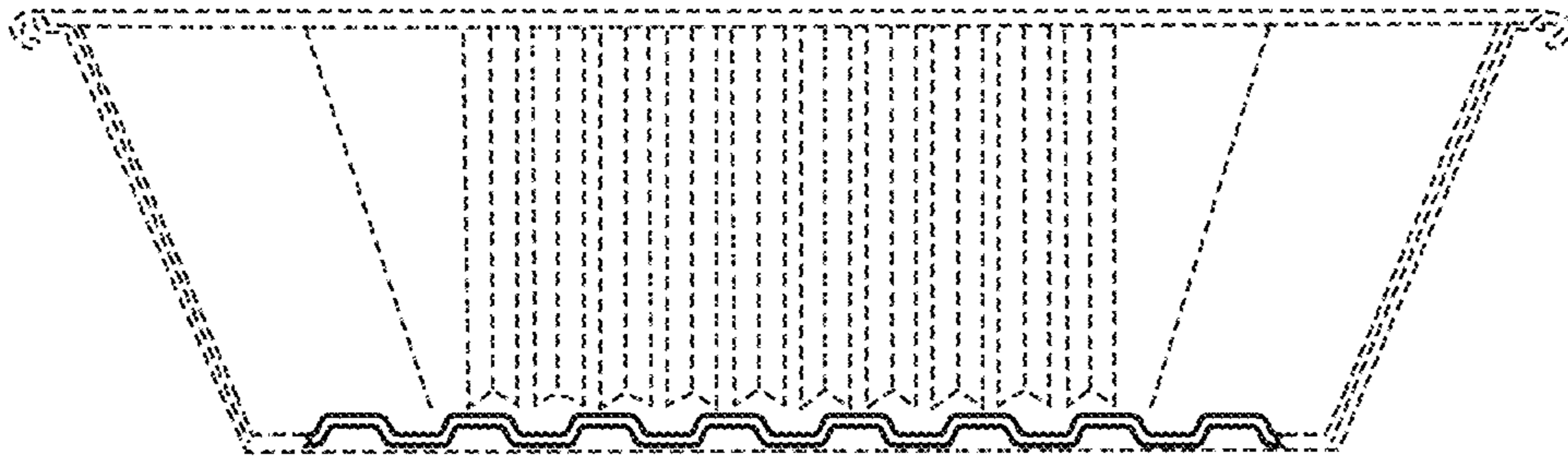


FIG. 5

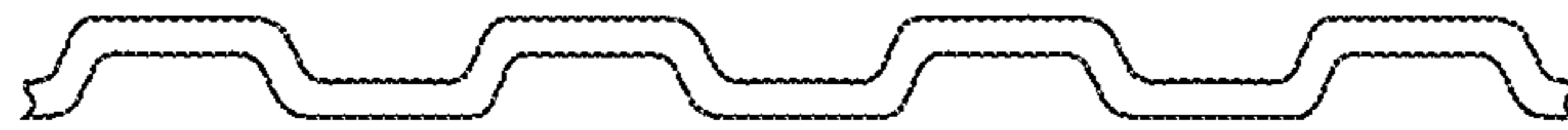


FIG. 6

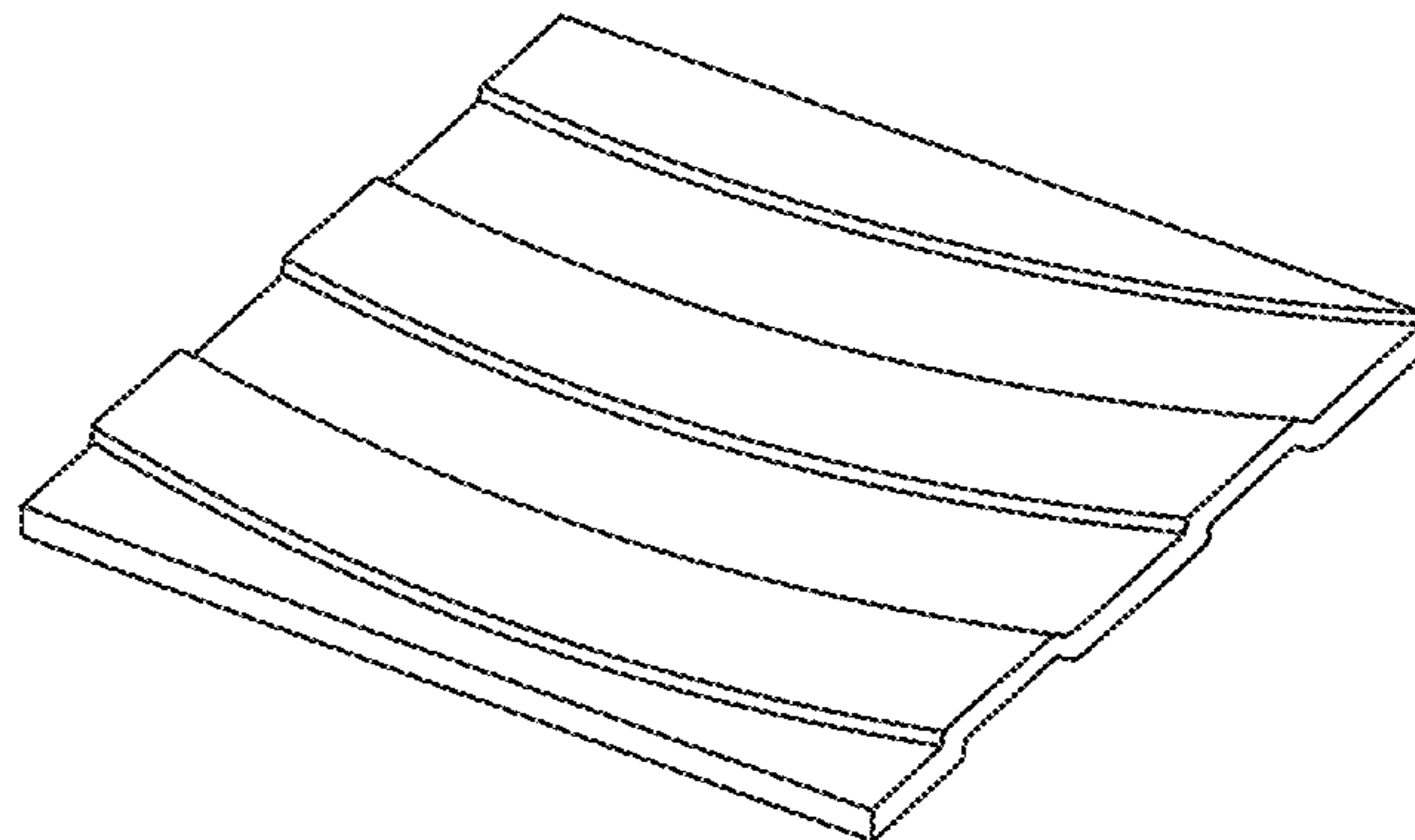


FIG. 7

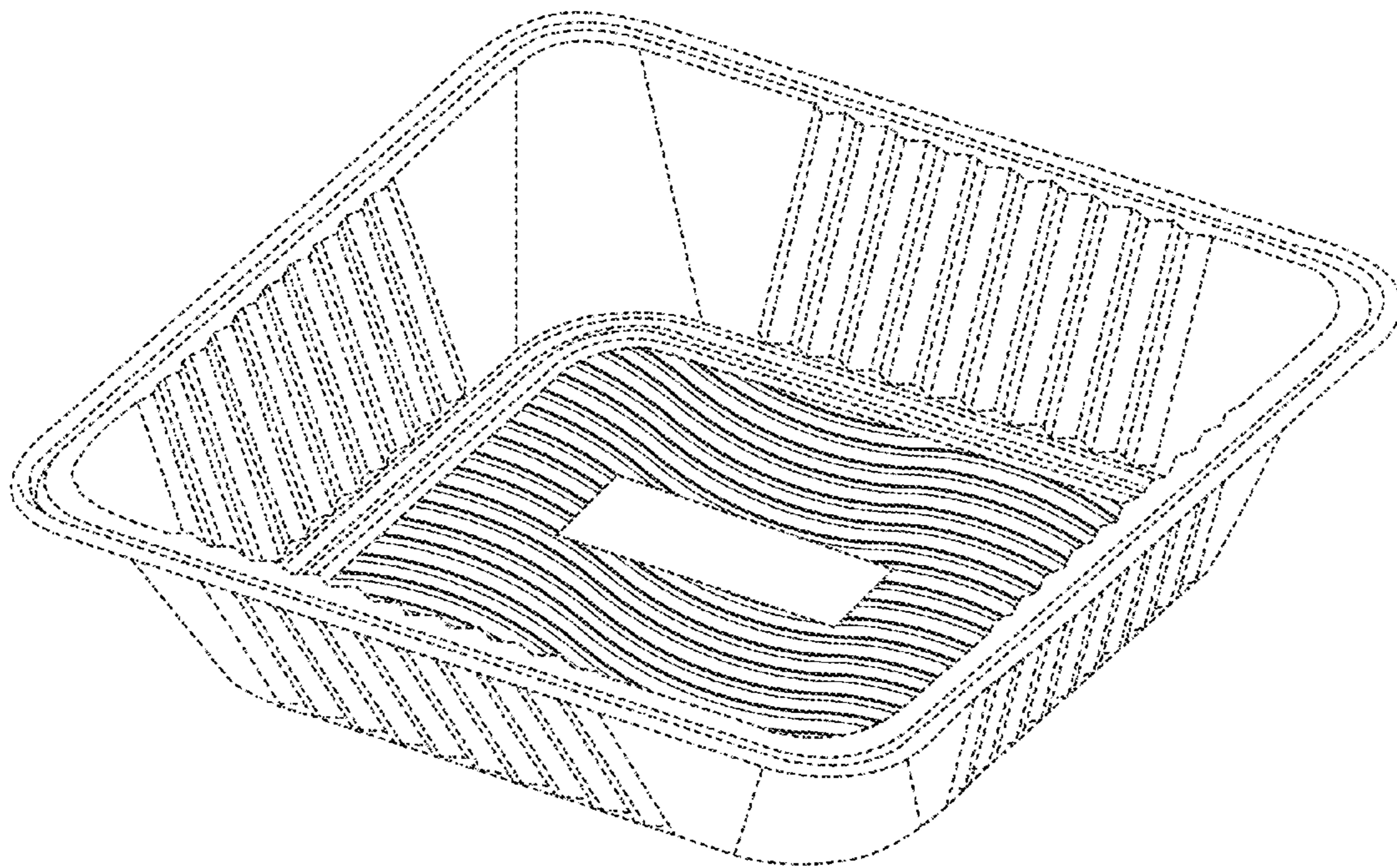


FIG. 8

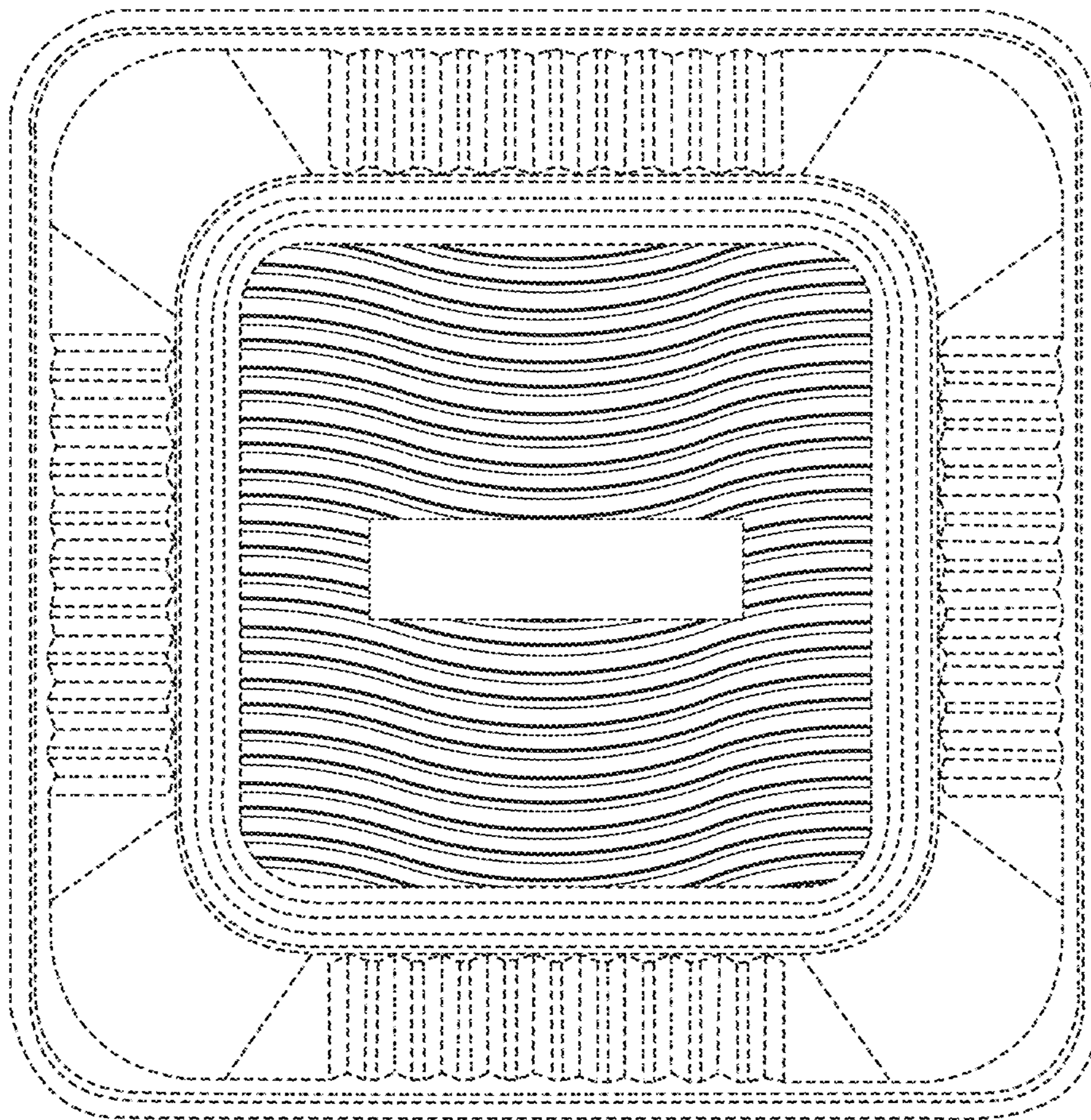


FIG. 9

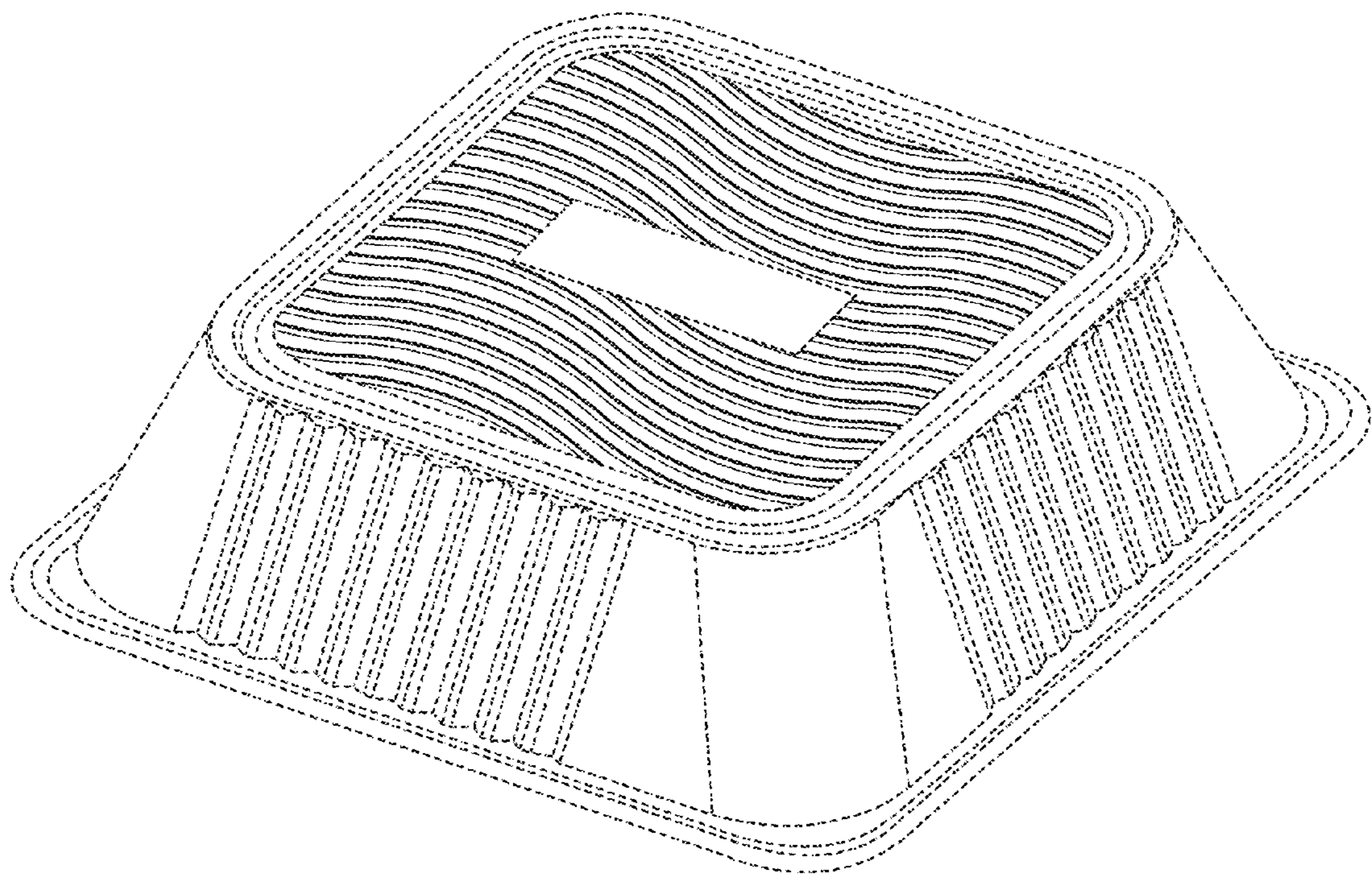


FIG. 10

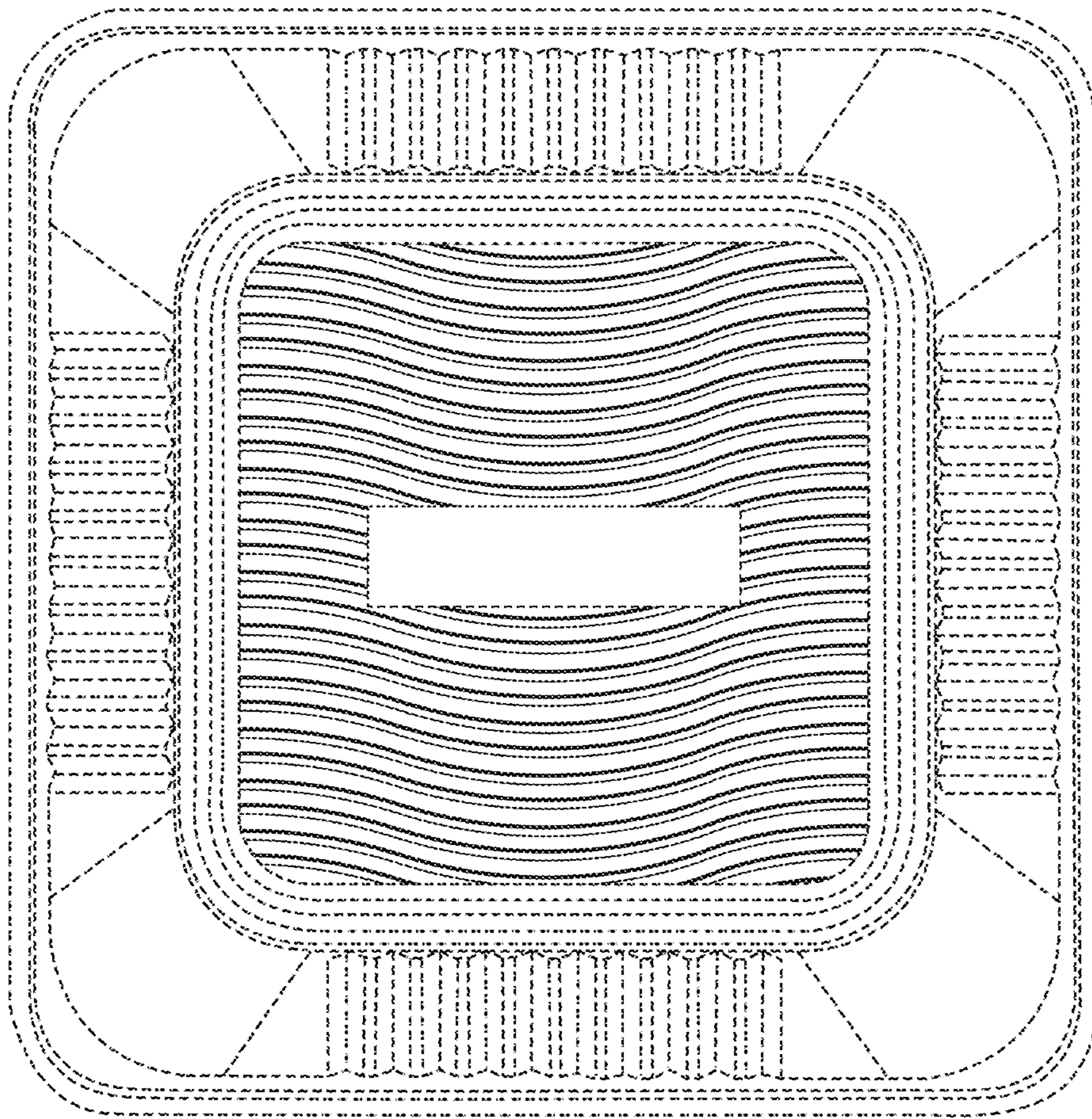


FIG. 11