



US00D766647S

(12) **United States Design Patent**
Calkins

(10) **Patent No.:** **US D766,647 S**

(45) **Date of Patent:** **** Sep. 20, 2016**

(54) **DISPOSABLE FOIL PAN**

(71) Applicant: **Mark A. Calkins**, San Jacinto, CA
(US)

(72) Inventor: **Mark A. Calkins**, San Jacinto, CA
(US)

(73) Assignee: **KITTRICH CORPORATION**,
Pomona, CA (US)

(**) Term: **14 Years**

(21) Appl. No.: **29/508,634**

(22) Filed: **Nov. 7, 2014**

(51) **LOC (10) Cl.** **07-02**

(52) **U.S. Cl.**
USPC **D7/359**; D7/354

(58) **Field of Classification Search**
USPC D1/106, 121, 129-130; D6/675;
D7/323, 354-361, 396.6, 402, 543,
D7/545, 549, 550.1, 553.1-553.8,
D7/554.1-554.4, 555, 584, 586, 688;
D9/424-425, 430-433, 455-456, 737,
D9/756-762; D21/502; D30/108
CPC A01K 49/00; A21B 3/00; A21B 3/003;
A21B 3/13; A21B 3/15; A21B 3/134; A21B
5/00; A21B 5/02; A47B 13/08; A47J 36/022;
A47J 36/025; A47J 36/027; A47J 37/00;
A47J 37/04; A47J 37/108; A47J 43/28;
A47J 43/284; B28B 11/006; B65D 1/22;
B65D 1/24; B65D 1/34; B65D 1/36; B65D
81/343; B65D 85/36; H05K 5/02
See application file for complete search history.

(56) **References Cited**

U.S. PATENT DOCUMENTS

D263,268 S * 3/1982 Rein D7/359
D277,044 S * 1/1985 Kuhlman D1/128
D370,034 S * 5/1996 Kipfer D21/386
D372,395 S * 8/1996 Candianides D7/359
5,830,039 A * 11/1998 Fraser-Jones A01K 49/00

449/2
D402,436 S * 12/1998 Cawley D1/129
D431,151 S * 9/2000 Brunianyn D7/354
D463,745 S * 10/2002 Hausen D9/456

(Continued)

Primary Examiner — Ricky Pham

(74) *Attorney, Agent, or Firm* — Leason Ellis LLP

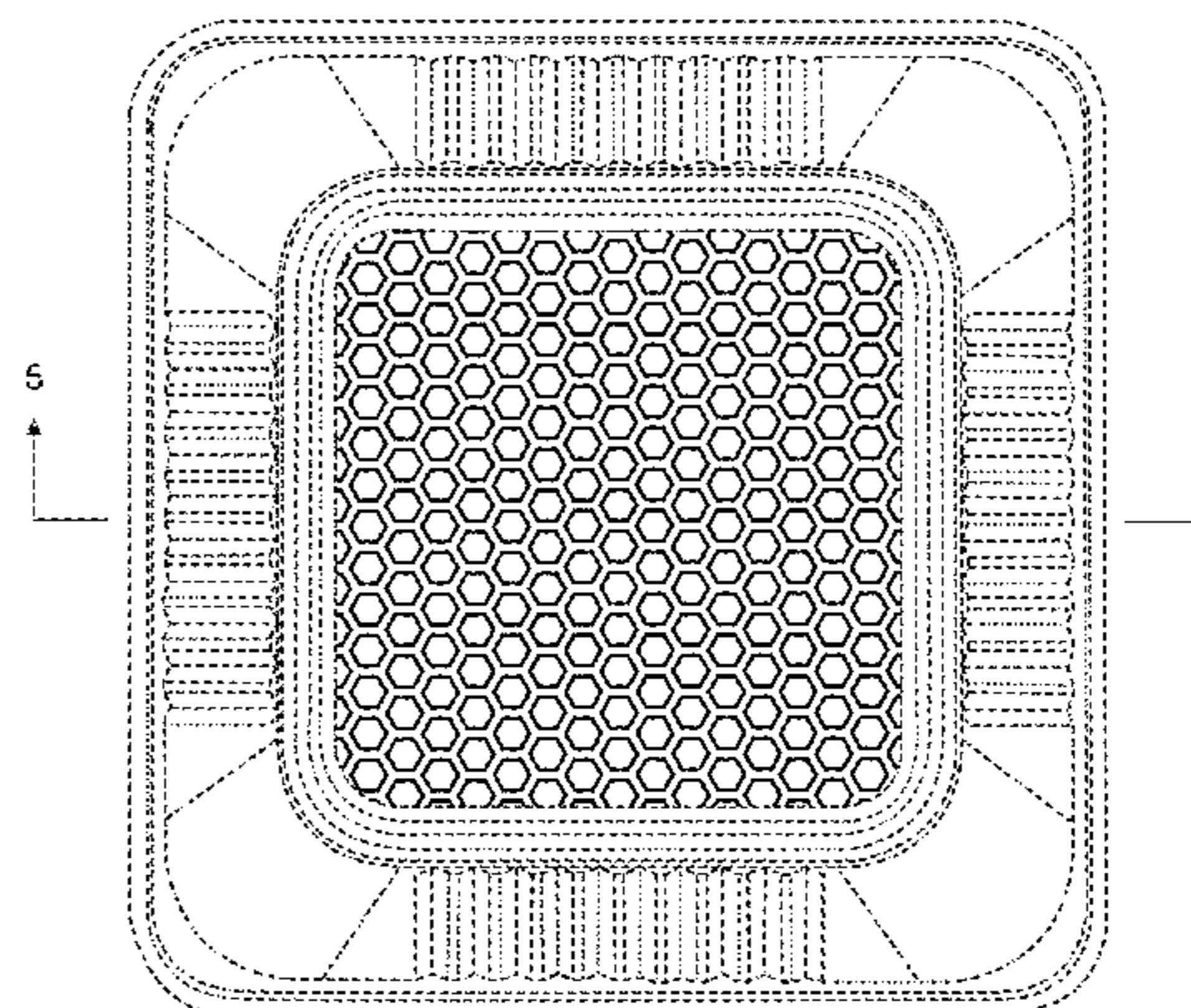
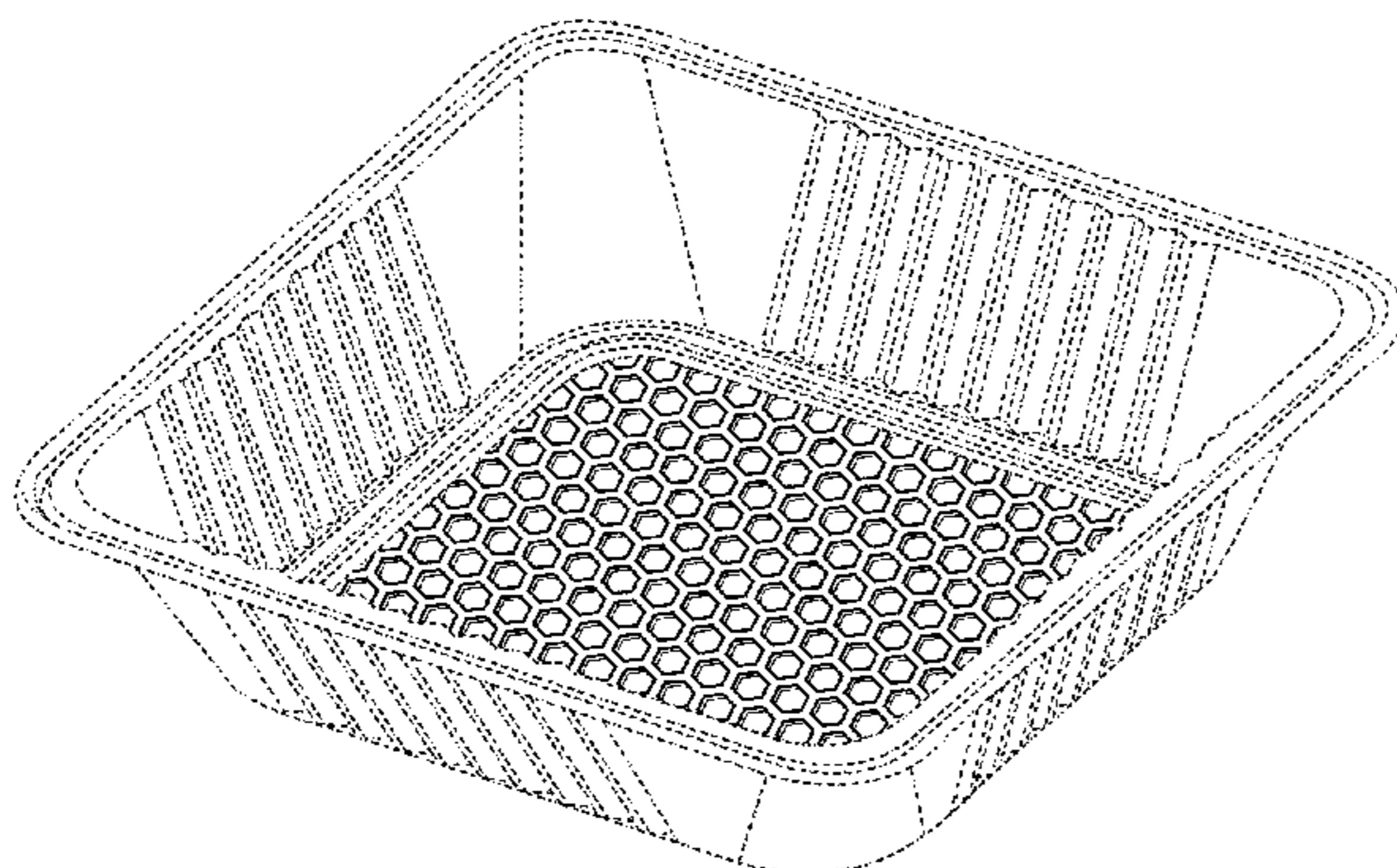
(57) **CLAIM**

The ornamental design for a disposable foil pan, as shown and described.

DESCRIPTION

FIG. 1 is a top perspective view of a bottom portion of a disposable foil pan in accordance with the invention shown; FIG. 2 is a top view of the bottom portion of a disposable foil pan of FIG. 1; FIG. 3 is a bottom perspective view of the bottom portion of a disposable foil pan of FIG. 1; FIG. 4 is a bottom view of the bottom portion of a disposable foil pan of FIG. 1; FIG. 5 is a cross-sectional view of the bottom portion of a disposable foil pan taken through line 5-5 of FIG. 2; FIG. 6 is a cross-sectional view showing an enlarged segment of the bottom portion of a disposable foil pan of FIG. 5; FIG. 7 is a top perspective view showing an enlarged section of the bottom portion of a disposable foil pan of FIG. 1; FIG. 8 is a top perspective view of a bottom portion of a disposable foil pan in accordance with a second embodiment of the present invention; FIG. 9 is a top view of the bottom portion of a disposable foil pan of FIG. 8; FIG. 10 is a bottom perspective view of the bottom portion of a disposable foil pan of FIG. 8; and, FIG. 11 is a bottom view of the bottom portion of a disposable foil pan of FIG. 8. The broken lines are for the purpose of illustrating portions of the disposable foil pan and forms no part of the claimed design.

1 Claim, 9 Drawing Sheets



US D766,647 S

Page 2

(56)

References Cited

U.S. PATENT DOCUMENTS

6,523,460 B1 *	2/2003	Lange	A47J 37/108					
				99/340					
D489,162 S *	5/2004	Dings-Plooi	D1/121					
D489,567 S *	5/2004	Groll	D7/354					
D554,988 S *	11/2007	Sim	D9/425					
D617,958 S *	6/2010	Benincasa	D30/108					
D618,505 S *	6/2010	Rae	D7/359					
D622,094 S *	8/2010	Sarnoff	D7/354					
D628,434 S *	12/2010	Sarnoff	D7/354					
D662,355 S *	6/2012	Tyson	D7/396.6					
D682,012 S *	5/2013	Lin	D7/354					
8,540,107 B2 *	9/2013	Lee	A47J 36/025					
				220/573.1					
D692,296 S *	10/2013	Cooper	D9/424					
D729,550 S *	5/2015	Williams	D6/675					
9,140,440 B2 *	9/2015	Jang	H05K 5/02					
D747,066 S *	1/2016	Roetheli	D1/106					
9,302,212 B2 *	4/2016	Uoe	B28B 11/006					
D757,484 S *	5/2016	Brown	D7/354					
2016/0183674 A1 *	6/2016	Lee	A47B 13/08					
				108/161					

* cited by examiner

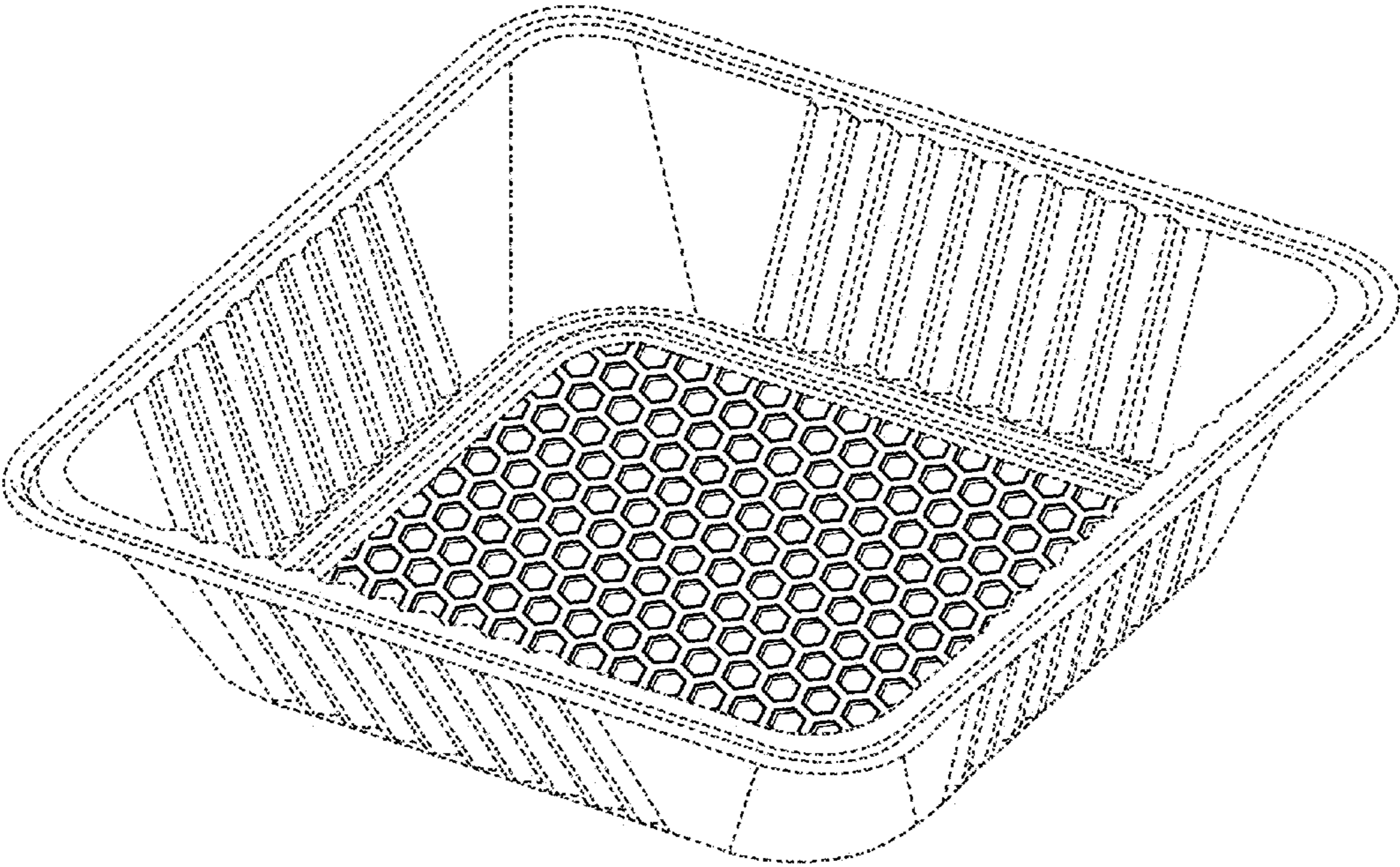


FIG. 1

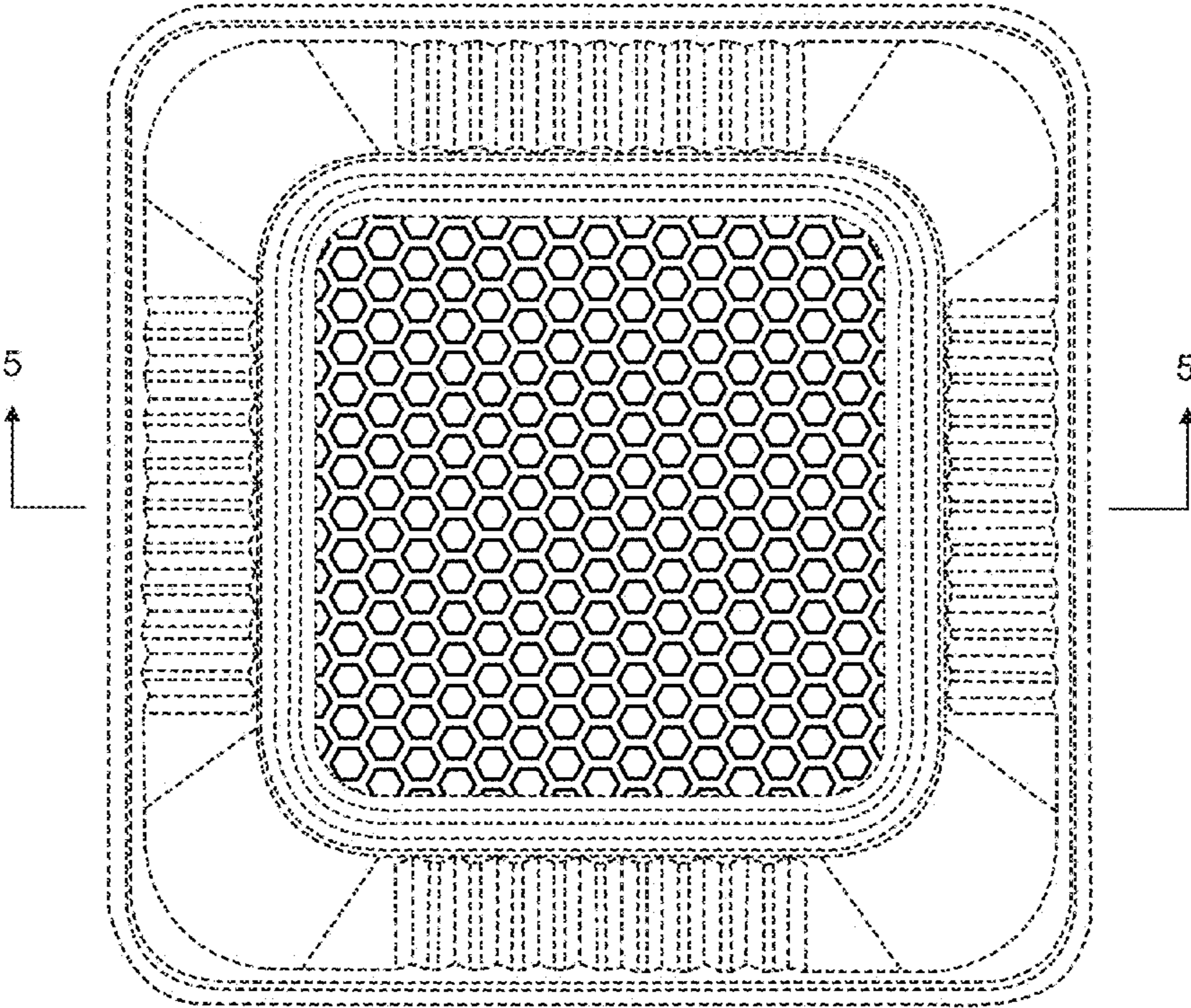


FIG. 2

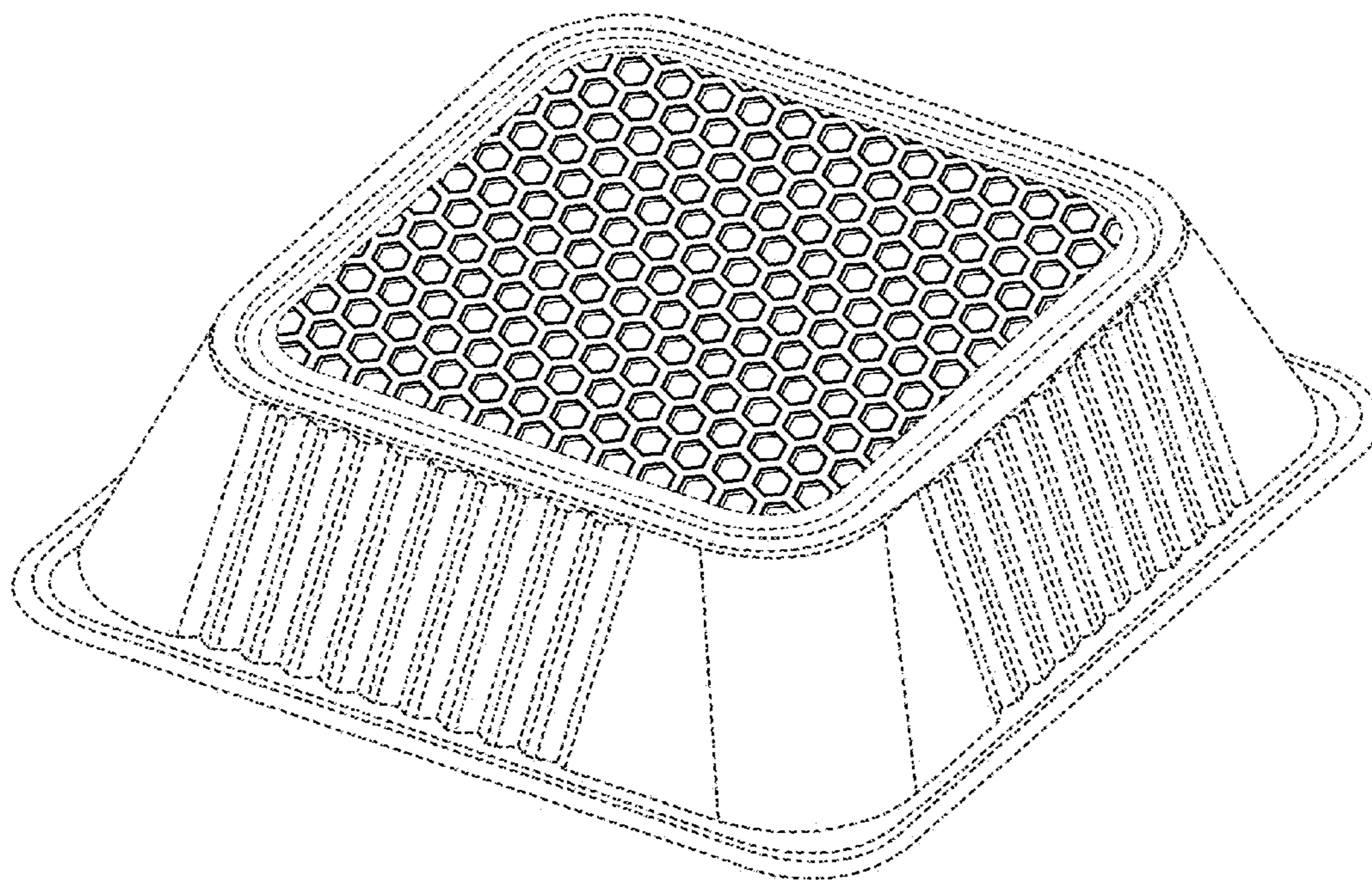


FIG. 3

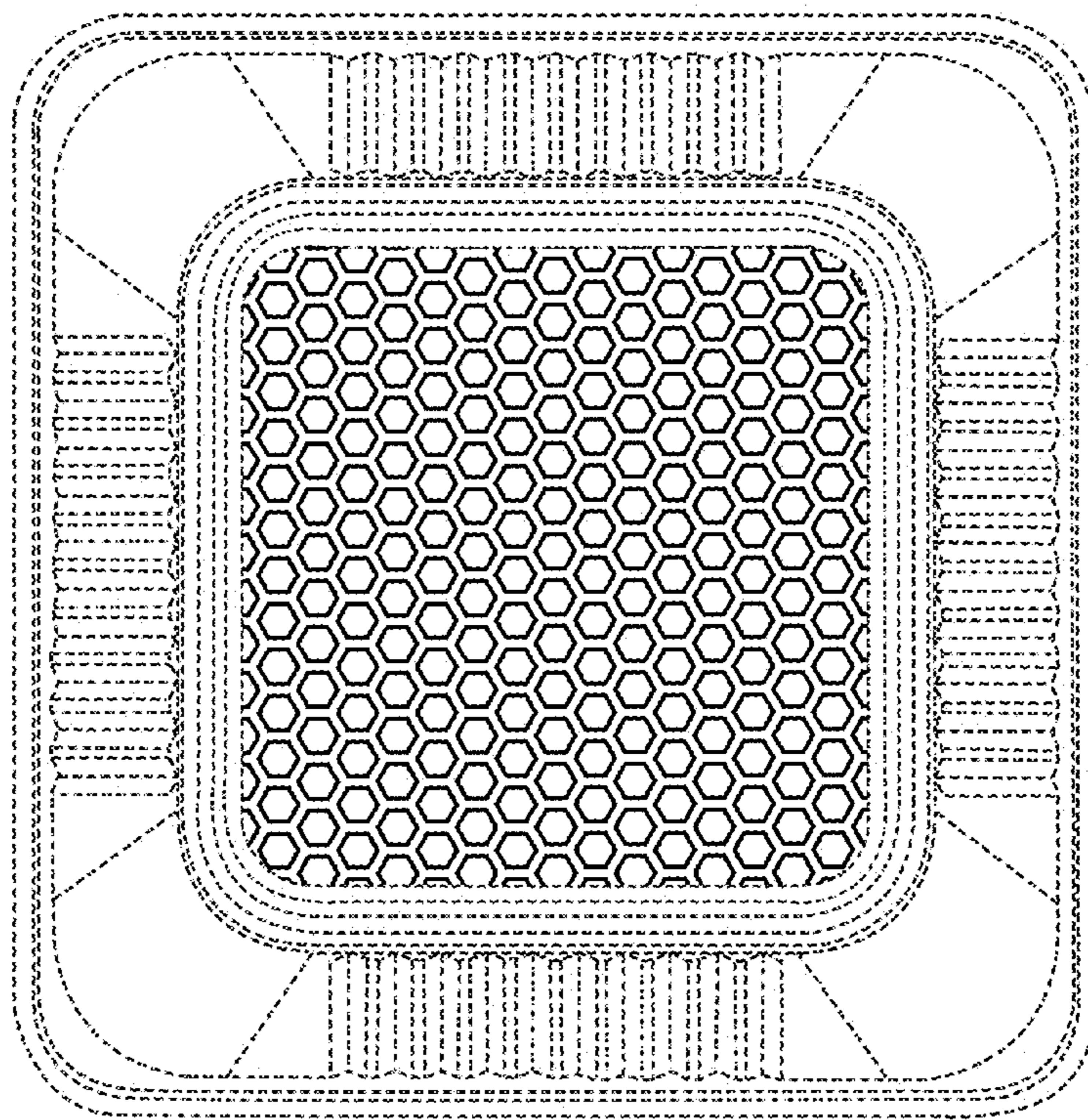


FIG. 4

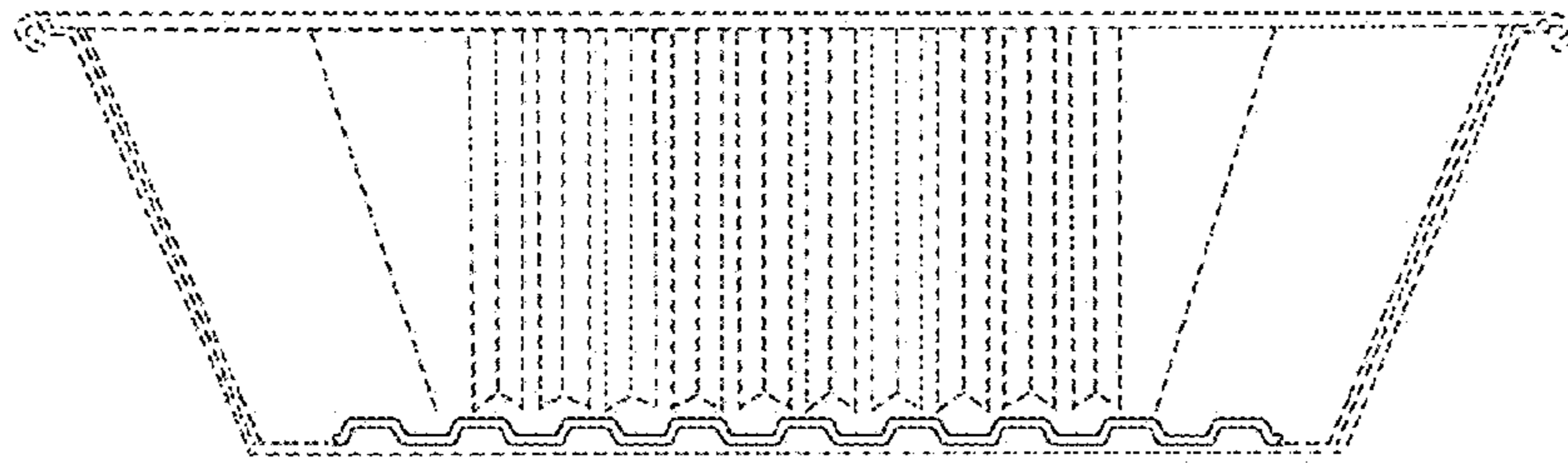


FIG. 5

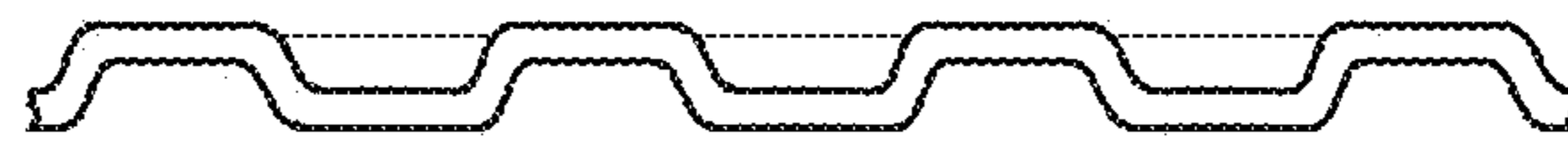


FIG. 6

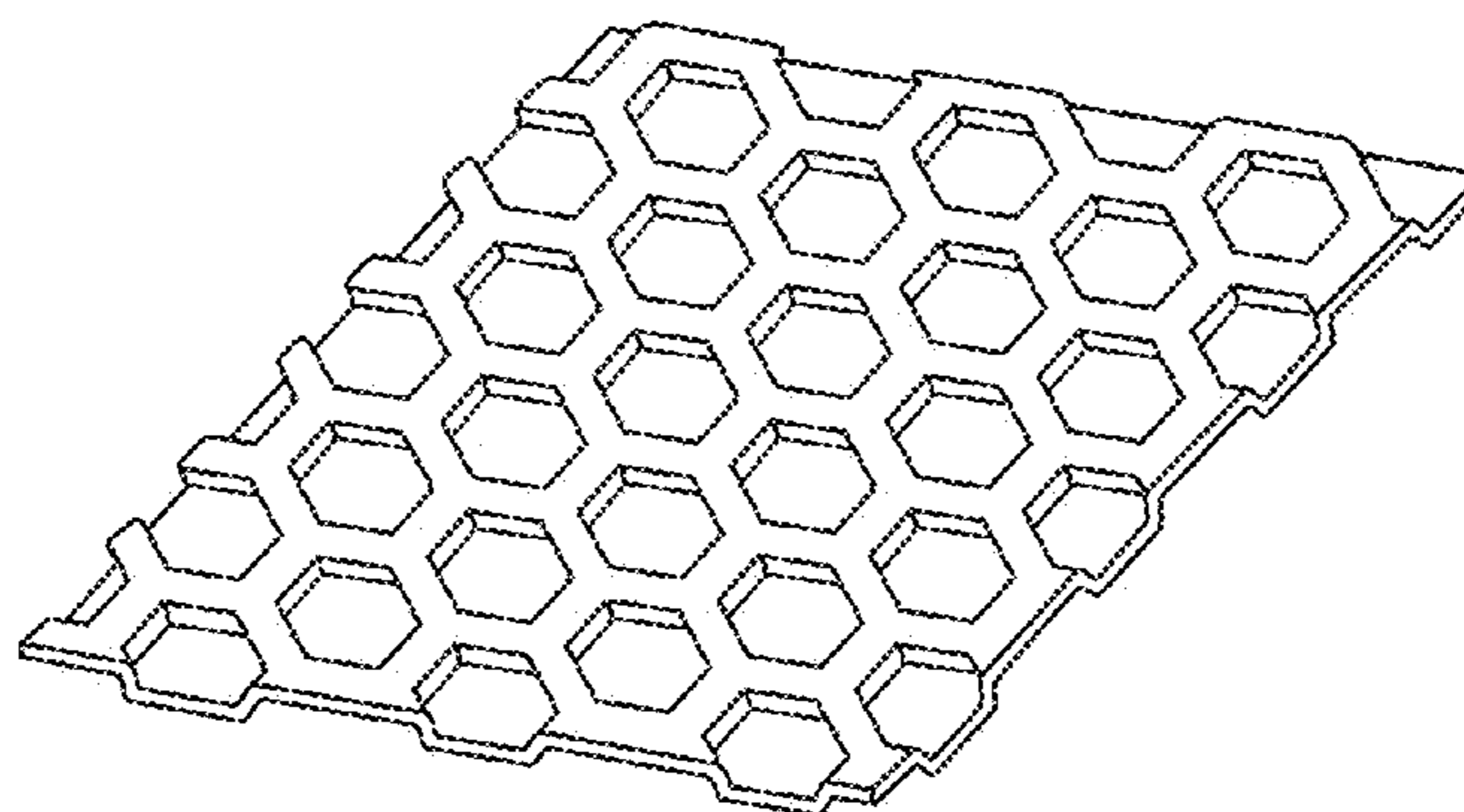


FIG. 7

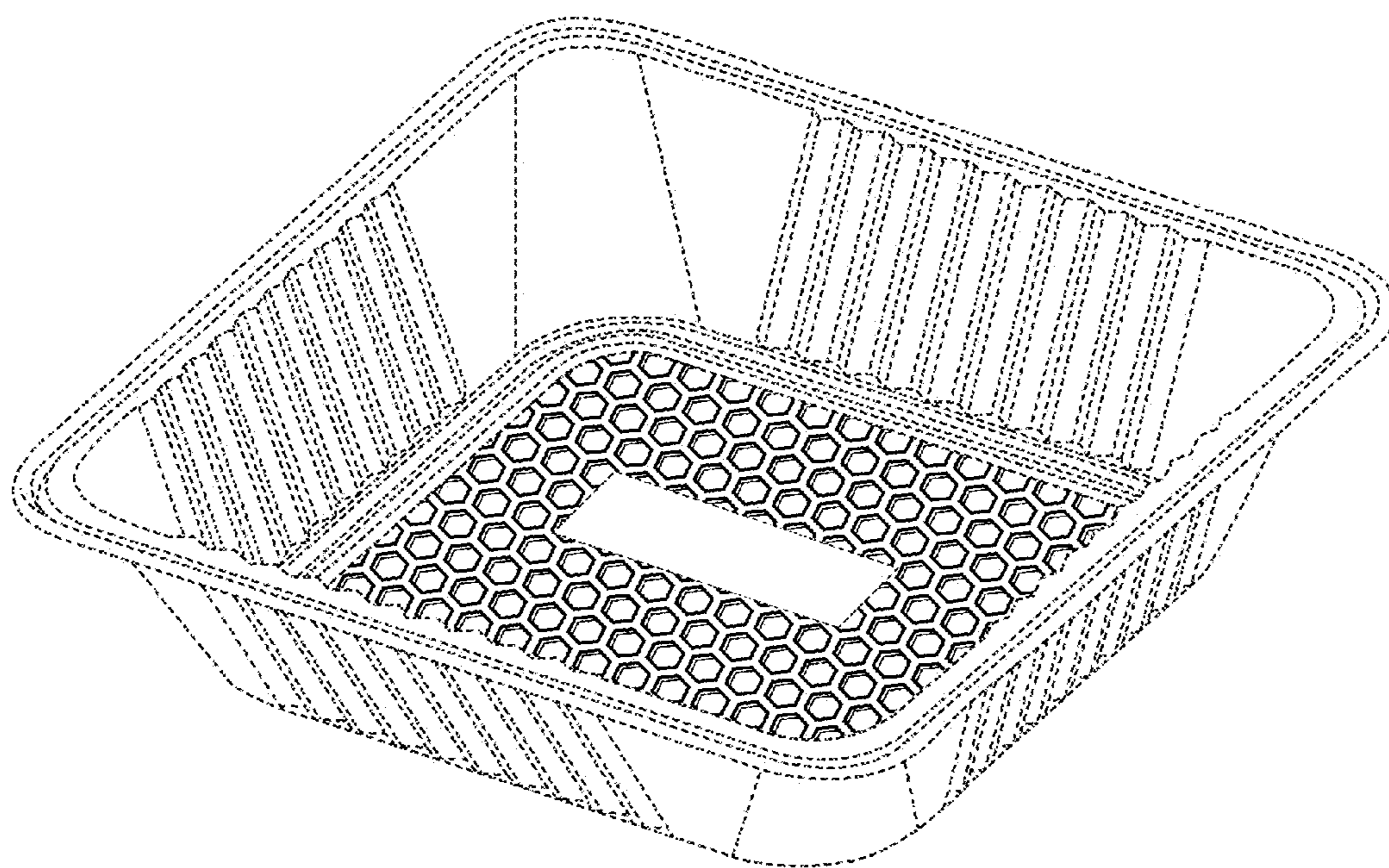


FIG. 8

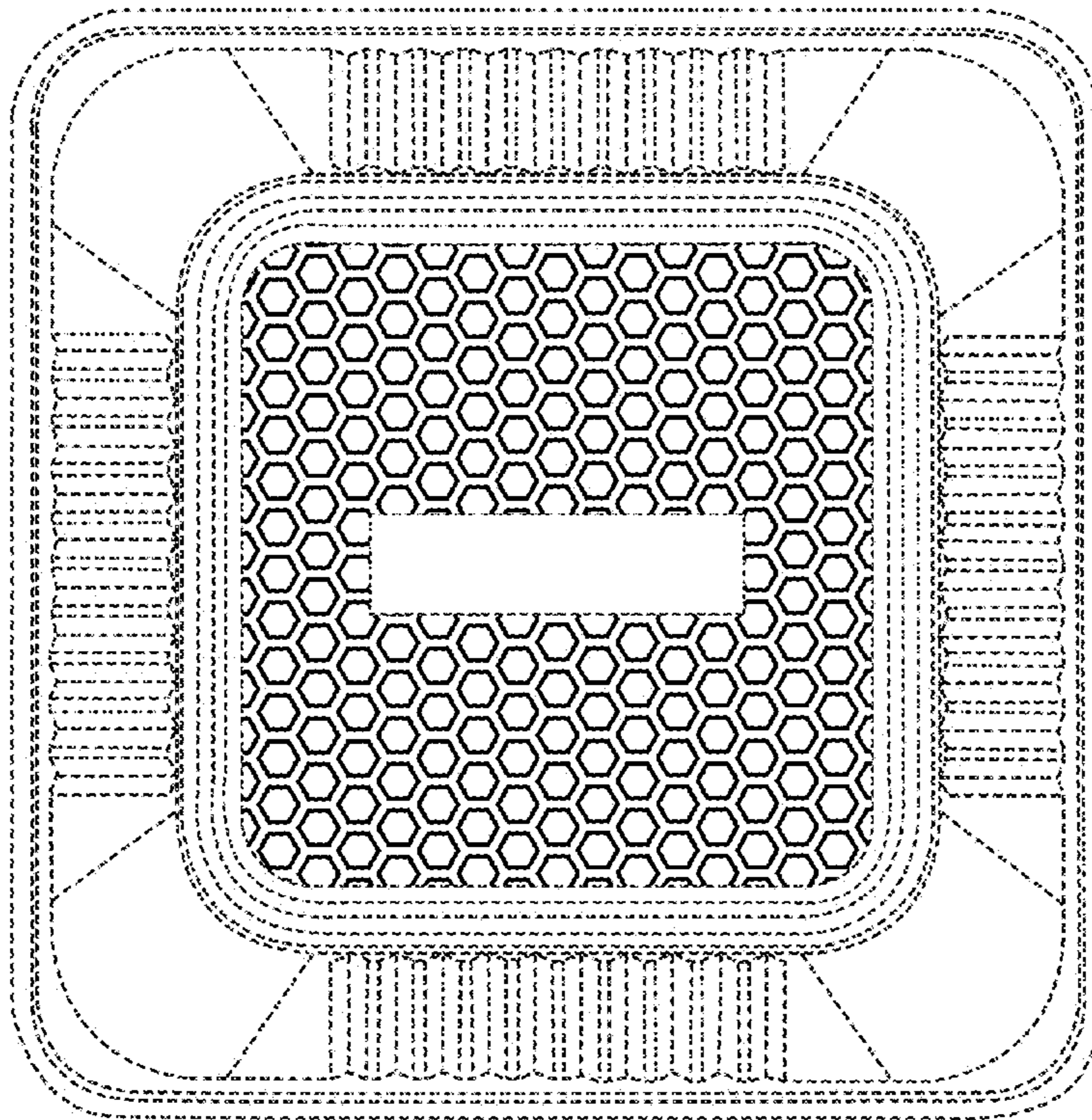


FIG. 9

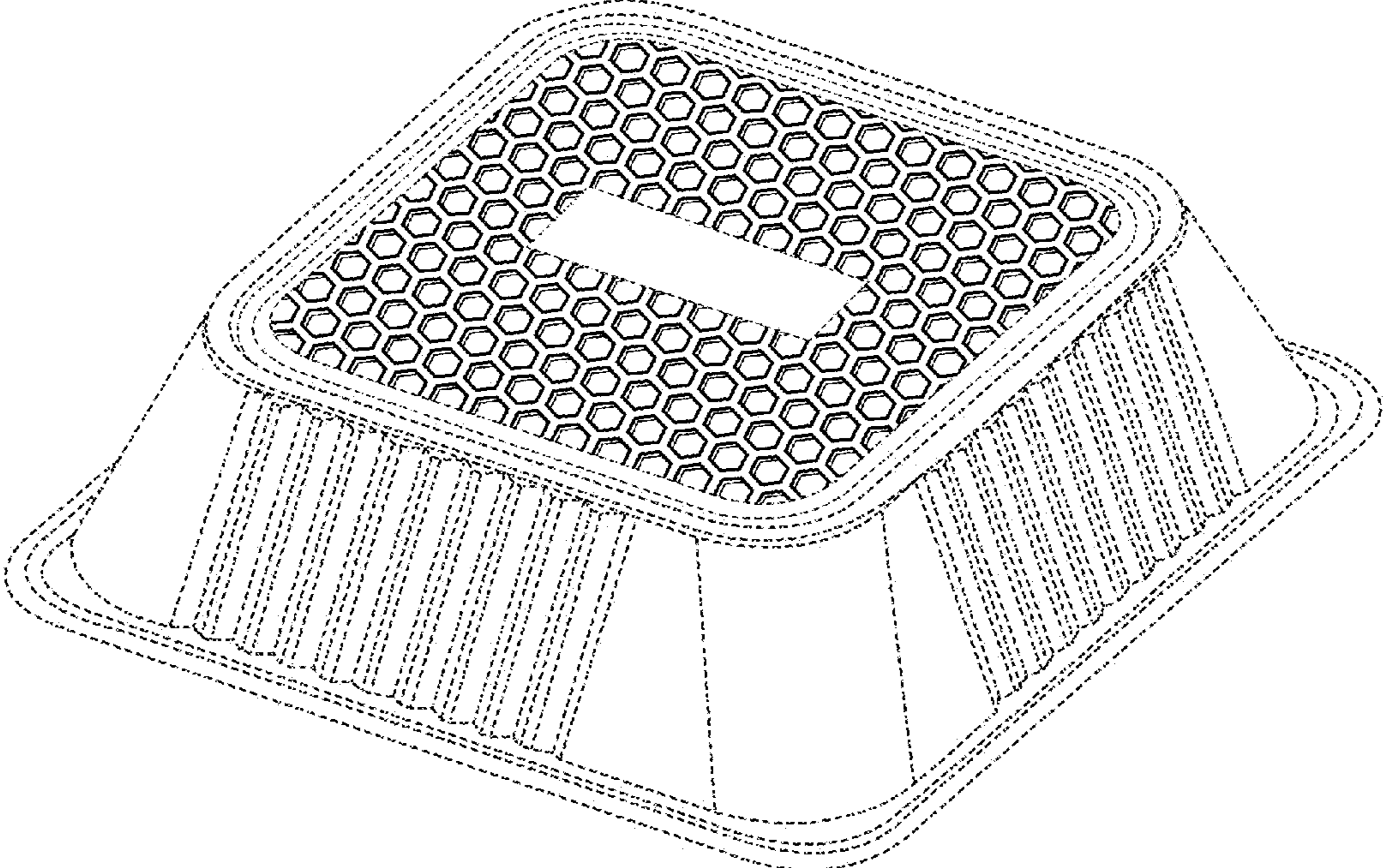


FIG. 10

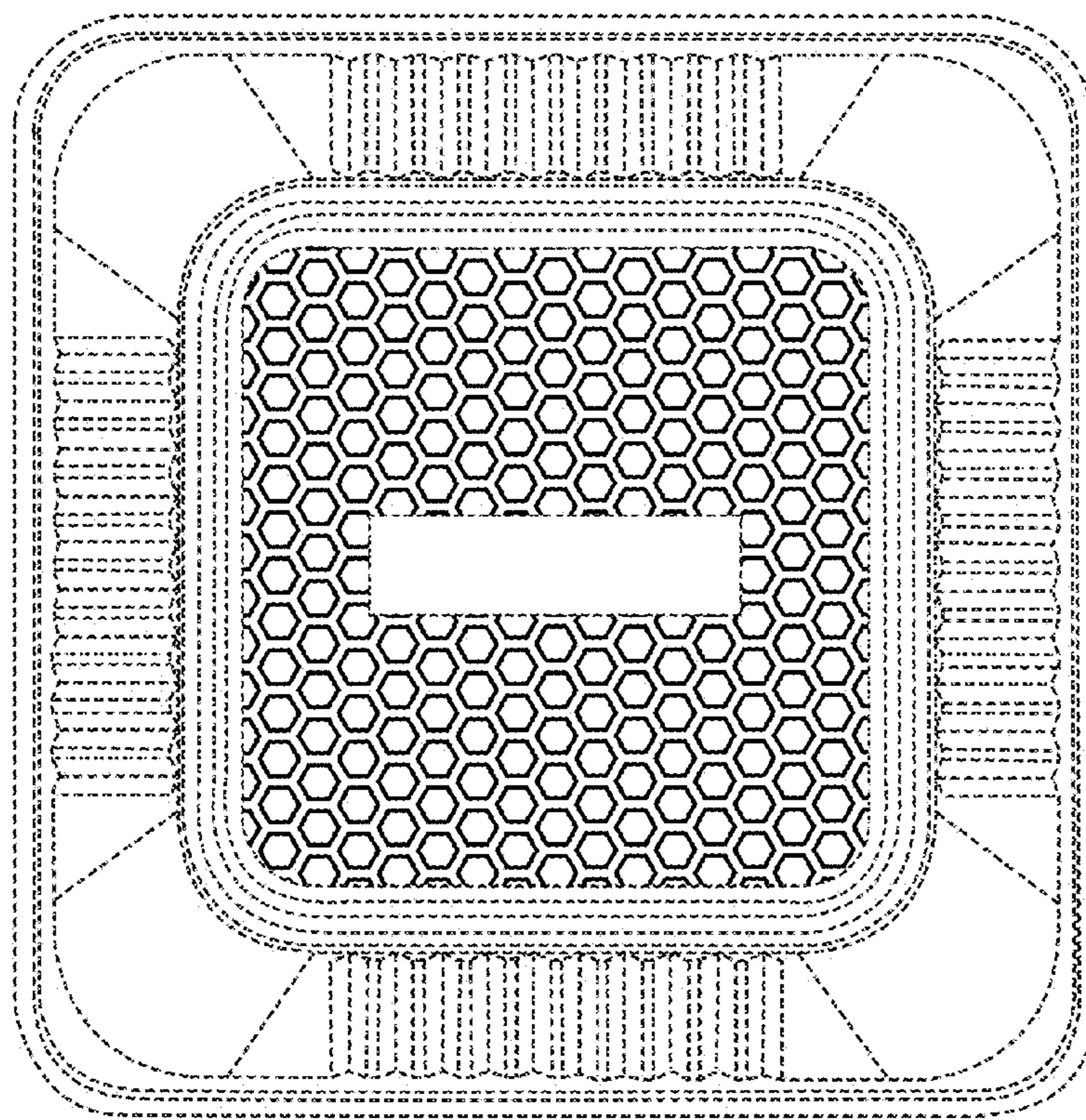


FIG. 11