

US00D766646S

(12) **United States Design Patent**
Navare

(10) **Patent No.:** **US D766,646 S**

(45) **Date of Patent:** **** Sep. 20, 2016**

(54) **GRILL**

6,389,961 B1 5/2002 Wu
D458,798 S * 6/2002 Kellermann D7/360

(71) Applicant: **Ravi Navare**, Mabelton, GA (US)

(Continued)

(72) Inventor: **Ravi Navare**, Mabelton, GA (US)

Primary Examiner — Ricky Pham

(**) Term: **14 Years**

(74) *Attorney, Agent, or Firm* — Bradley D. Crose; Crose Law LLC

(21) Appl. No.: **29/506,453**

(57) **CLAIM**

The ornamental design for a grill, as shown and described.

(22) Filed: **Oct. 15, 2014**

DESCRIPTION

(51) **LOC (10) Cl.** **07-02**

(52) **U.S. Cl.**

USPC **D7/359**; D7/354; D7/356

(58) **Field of Classification Search**

USPC D7/323, 354–363, 367, 391, 393–396,
D7/409

CPC A47G 19/12; A47J 27/00; A47J 27/002;
A47J 27/08; A47J 27/13; A47J 27/21;
A47J 27/58; A47J 33/00; A47J 36/025;
A47J 36/06; A47J 36/12; A47J 37/00;
A47J 37/01; A47J 37/0623; A47J 37/067;
A47J 37/10; A47J 37/101; A47J 37/103;
A47J 37/12; A47J 37/1204; A47J 45/061;
A47J 45/071; A47J 45/08; H05B 6/12

See application file for complete search history.

FIG. 1 is a perspective view of the grill pan, illustrating the new, original, and ornamental design, shown separately for ease of illustration;

FIG. 2 is a top view of the grill pan, illustrating the new, original, and ornamental design;

FIG. 3 is a side view of the grill pan, illustrating the new, original, and ornamental design;

FIG. 4 is a side cross-sectional view taken through line 4-4 of FIG. 1 of the grill pan, illustrating the new, original, and ornamental design;

FIG. 5 is a perspective view of the grate insert of the grill pan, generally from a bottom view, illustrating the new, original, and ornamental design, shown separately for ease of illustration;

FIG. 6 is a top view of the grate insert of the grill pan, illustrating the new, original, and ornamental design;

FIG. 7 is a side view of the grate insert of the grill pan, illustrating the new, original, and ornamental design.

FIG. 8 is a perspective, expanded view of the grill, illustrating the new, original, and ornamental design;

FIG. 9 is a perspective, expanded view of the grill, illustrating the new, original, and ornamental design;

FIG. 10 is a side view of the grill, illustrating the new, original, and ornamental design;

FIG. 11 is a top view of the grill, illustrating the new, original, and ornamental design; and,

FIG. 12 is an alternate side view of the grate insert of the grill pan, illustrating the new, original, and ornamental design.

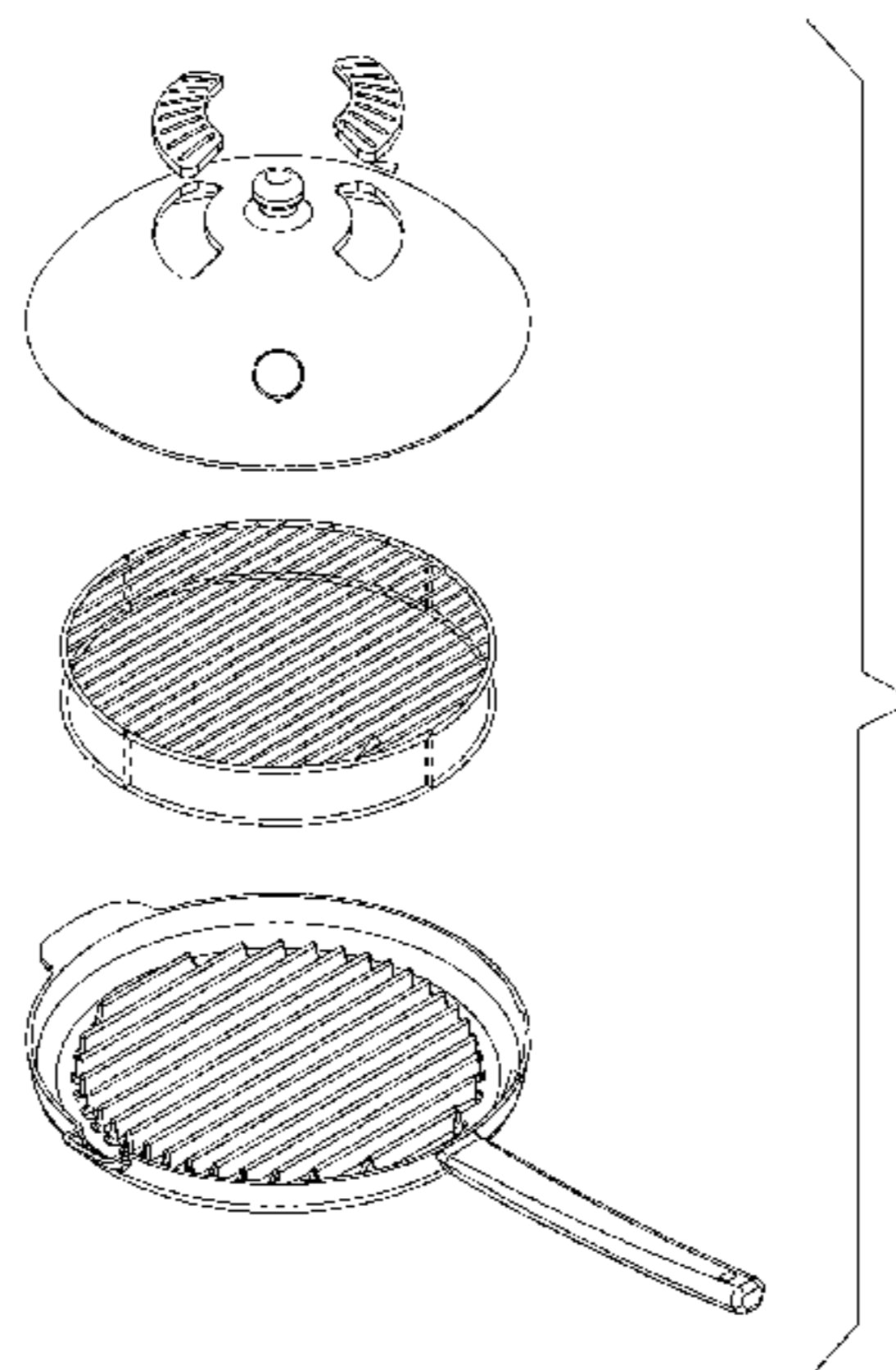
The bottom views not shown are not part of the claiming design and form no part of the claimed design.

(56) **References Cited**

U.S. PATENT DOCUMENTS

199,822 A	1/1878	Geyser	
D29,714 S *	11/1898	Hall D7/359
D85,804 S	12/1931	Axford	
D183,086 S *	6/1958	Collins 126/9 B
D251,176 S	2/1979	Lewis	
D297,604 S	9/1988	Hagberg et al.	
D414,981 S *	10/1999	Roskind D7/359
5,970,858 A *	10/1999	Boehm A47J 37/0629 99/400
6,196,115 B1 *	3/2001	Tsao A47J 27/13 126/20
6,201,217 B1 *	3/2001	Moon A47J 37/0623 126/21 A
D442,822 S *	5/2001	Lin D7/337
6,334,386 B1	1/2002	Iachetti	

1 Claim, 12 Drawing Sheets



US D766,646 S

Page 2

(56)

References Cited

U.S. PATENT DOCUMENTS

6,782,801 B1 *	8/2004	Correa	A47J 37/067 99/340				
D695,059 S *	12/2013	Mehler	D7/354				* cited by examiner
					9,016,191 B2 *	4/2015	Krolick A47J 37/01 99/447
					D730,680 S *	6/2015	Palermo D7/367
					2009/0020109 A1 *	1/2009	Rheault A47J 33/00 126/25 R

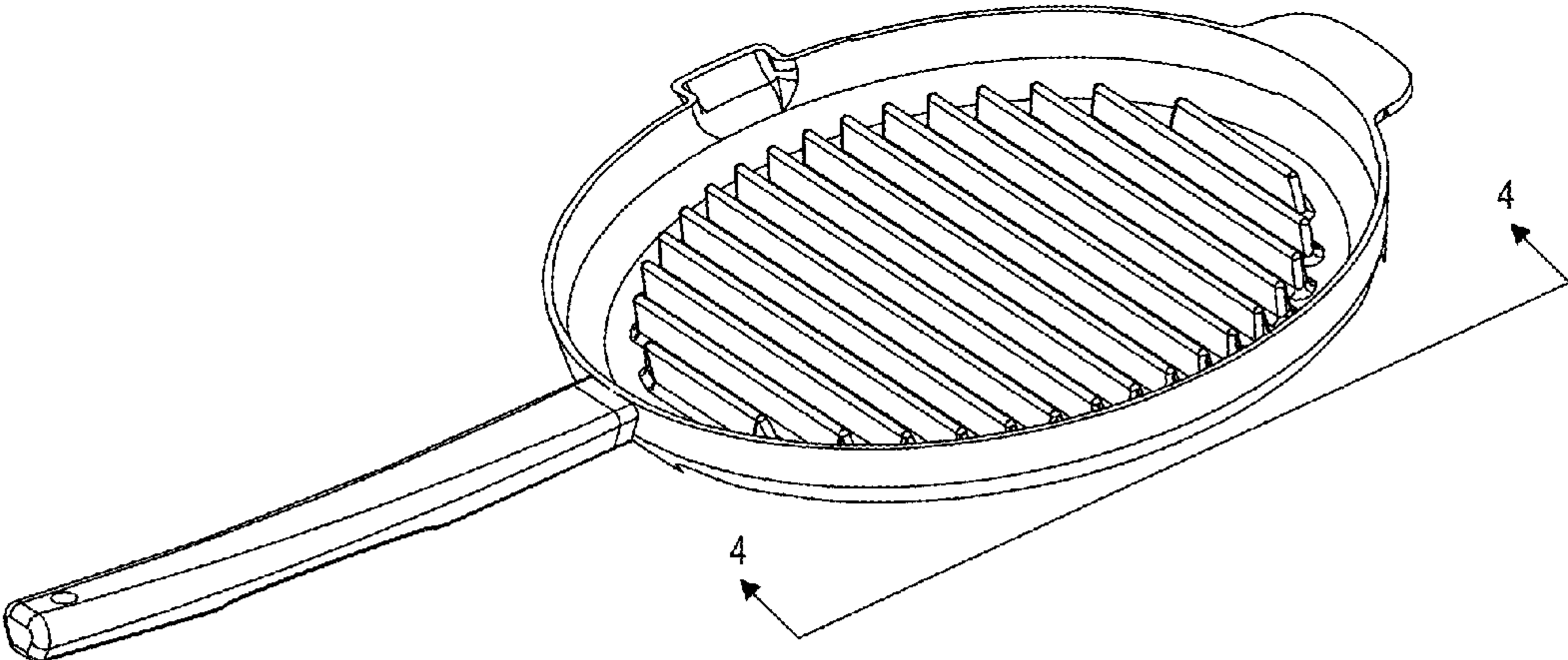


FIG. 1

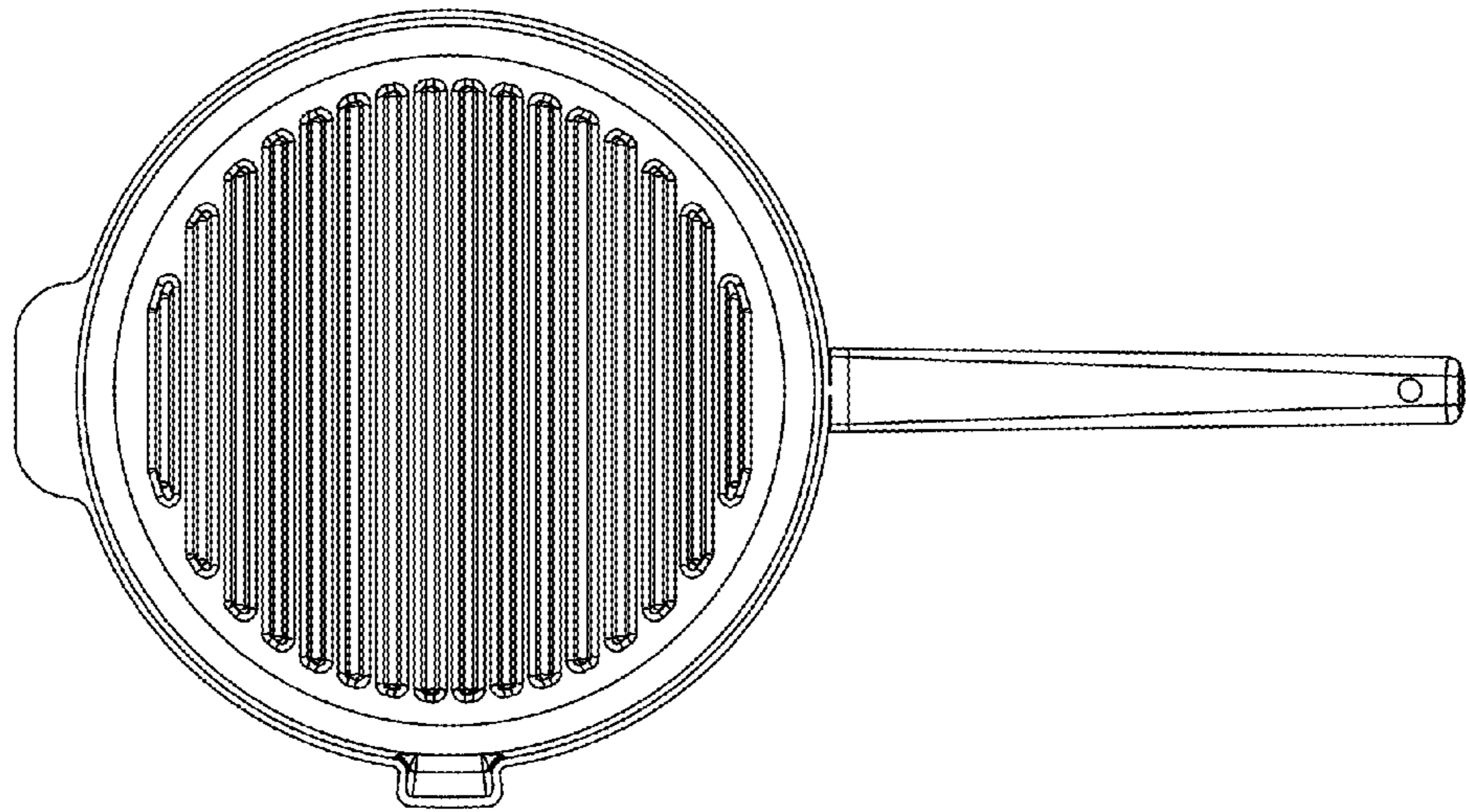


FIG. 2



FIG. 3



FIG. 4

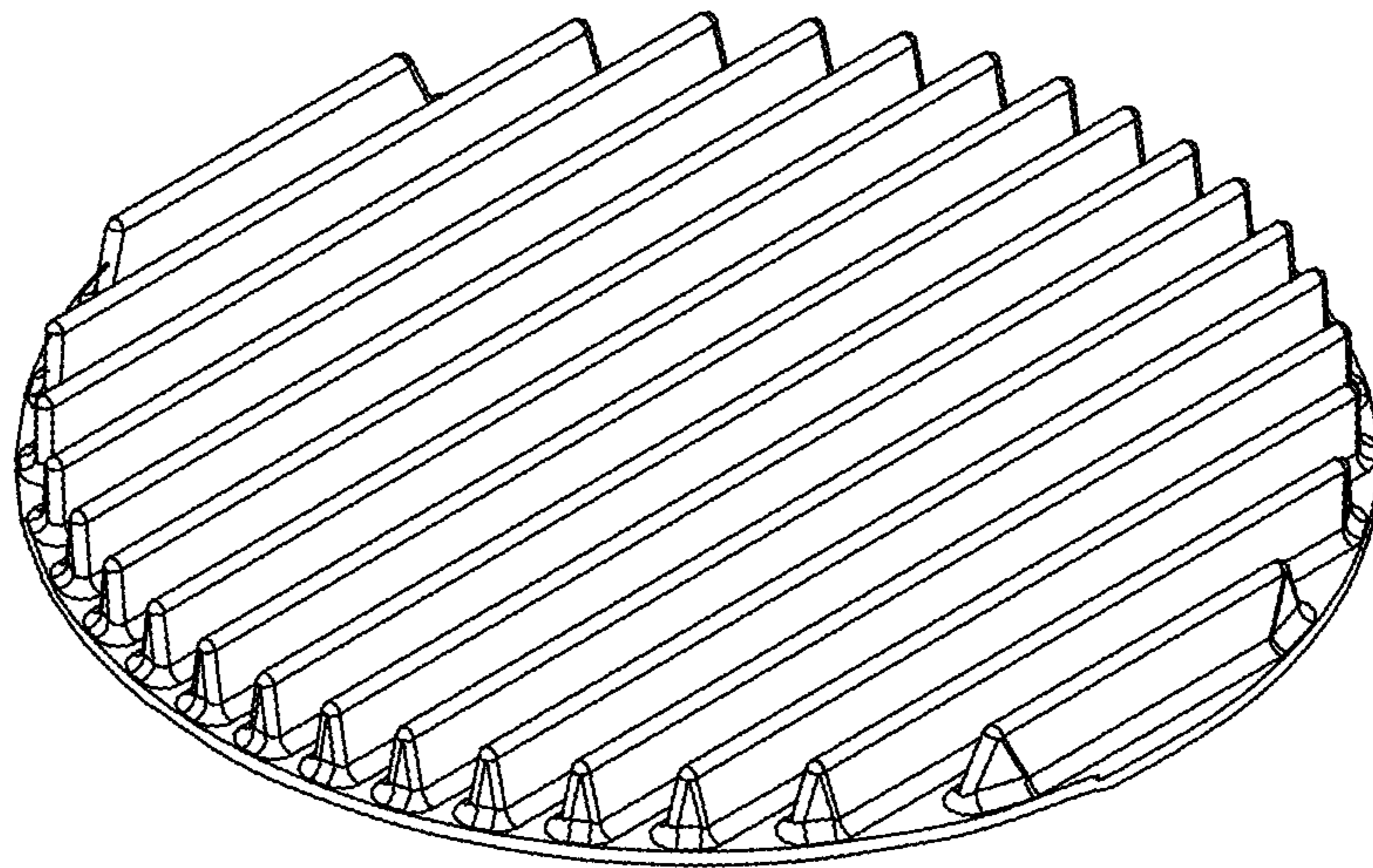


FIG. 5

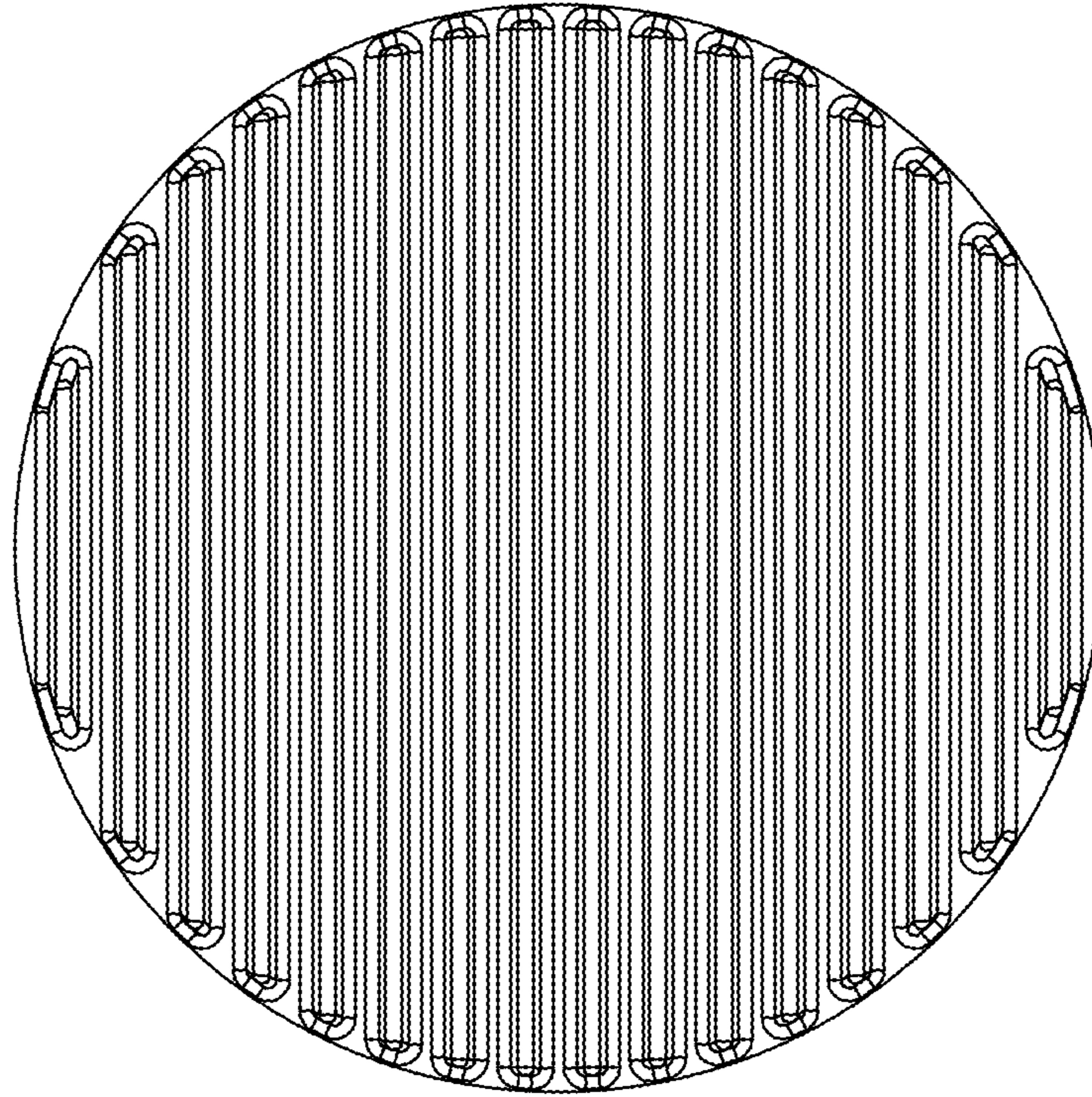


FIG. 6



FIG. 7

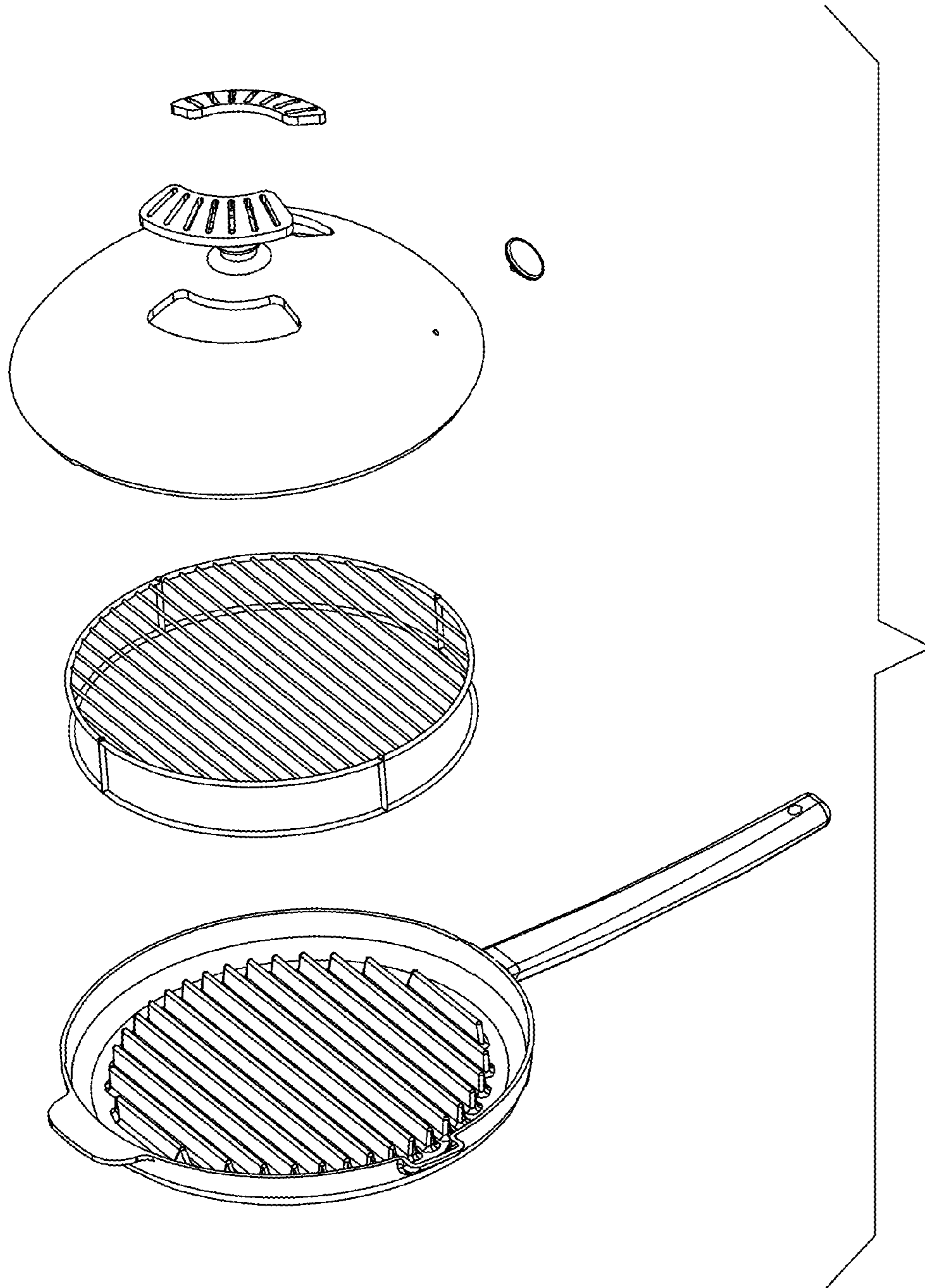


FIG. 8

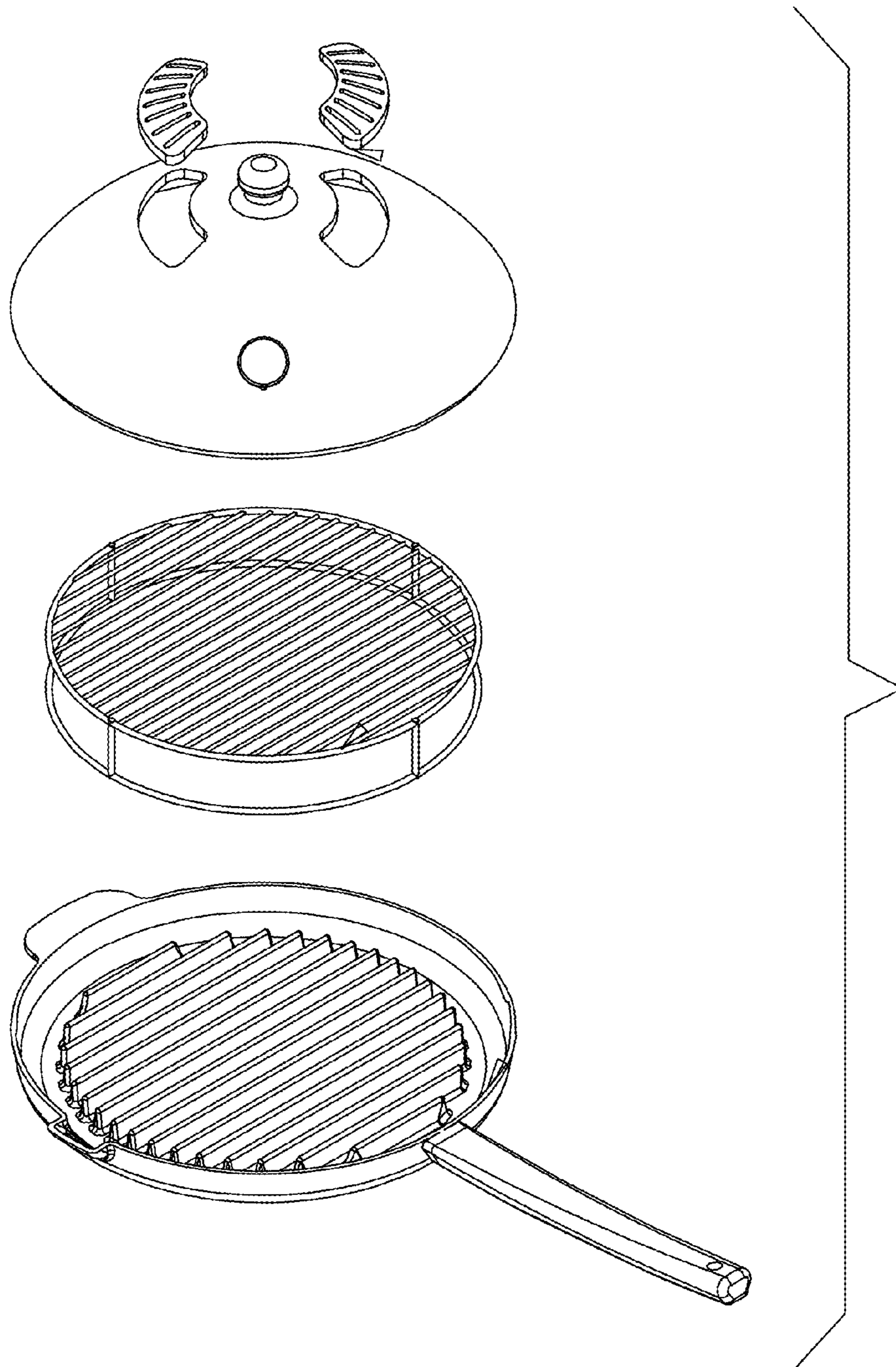


FIG. 9

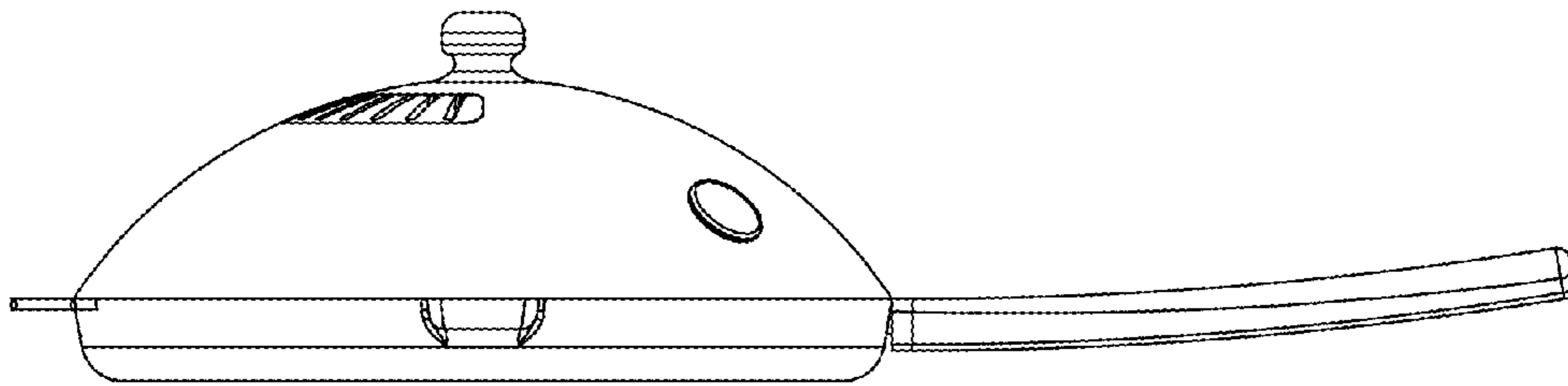


FIG. 10

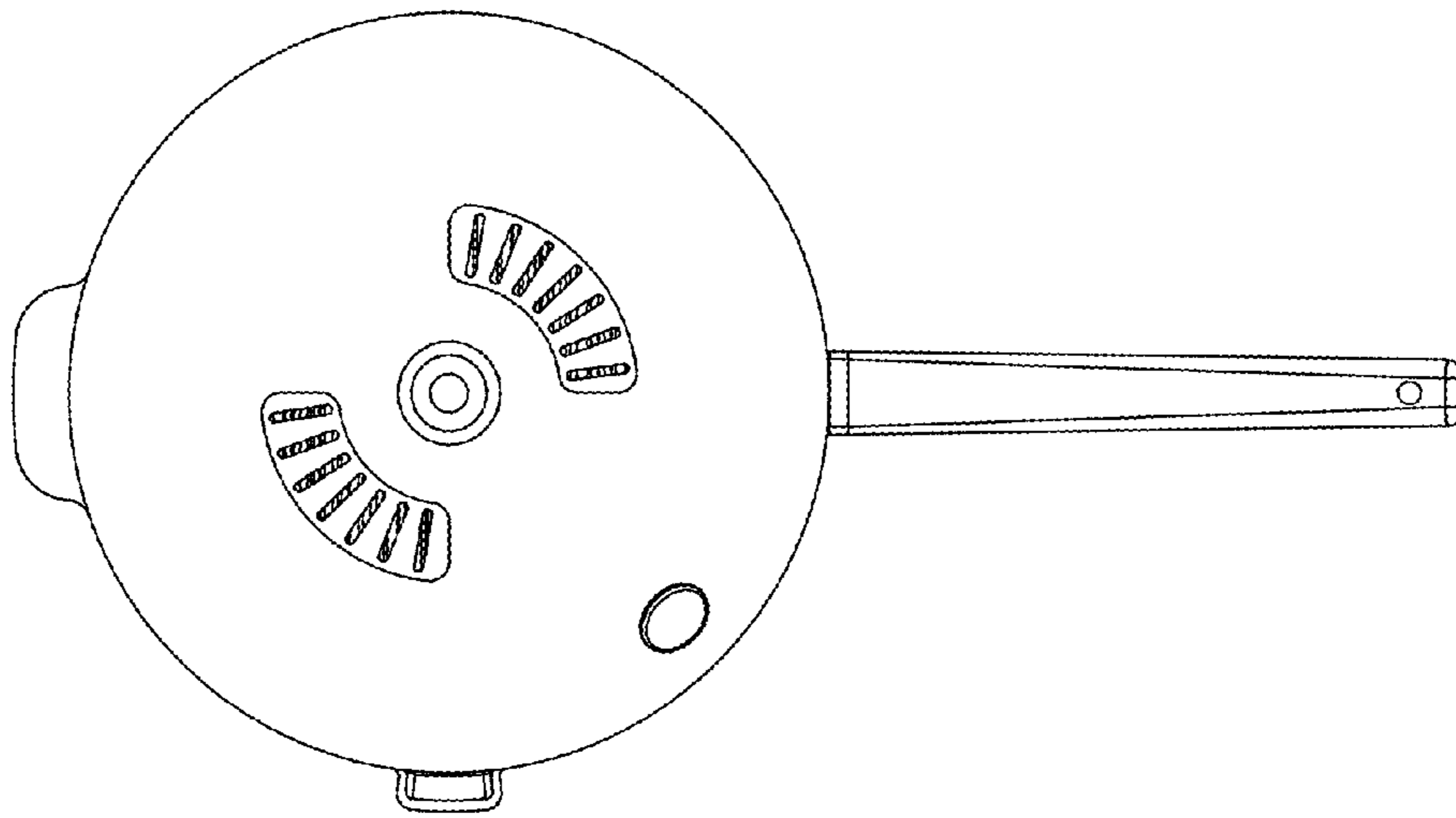


FIG. 11



FIG. 12