

US00D766640S

(12) **United States Design Patent**
Kubryk

(10) **Patent No.:** **US D766,640 S**

(45) **Date of Patent:** **** Sep. 20, 2016**

(54) **TASK CHAIR**

(71) Applicant: **Isaac Kubryk**, Lockeford, CA (US)

(72) Inventor: **Isaac Kubryk**, Lockeford, CA (US)

(73) Assignee: **Global Allies, LLC**, Lockeford, CA (US)

(**) Term: **14 Years**

(21) Appl. No.: **29/522,476**

(22) Filed: **Mar. 31, 2015**

(51) **LOC (10) Cl.** **06-01**

(52) **U.S. Cl.**
USPC **D6/716**

(58) **Field of Classification Search**
USPC D6/334–336, 364, 365, 366, 371–375,
D6/379, 380, 716, 716.1, 716.2, 716.4
CPC A47C 4/02; A47C 4/03; A47C 7/18;
A47C 3/12; A47C 5/12; A47C 7/54
See application file for complete search history.

(56) **References Cited**

U.S. PATENT DOCUMENTS

3,281,185 A * 10/1966 Albinson A47C 5/12
297/445.1
3,565,486 A * 2/1971 Channon A47C 3/12
297/451.11

D698,191 S * 1/2014 Kubryk D6/366
D729,562 S * 5/2015 Kubryk D6/716
D730,669 S * 6/2015 Kubryk D6/716
D759,397 S * 6/2016 Wu D6/366

* cited by examiner

Primary Examiner — Mimoso De

(74) *Attorney, Agent, or Firm* — Audrey A. Millemann;
Weintraub Tobin

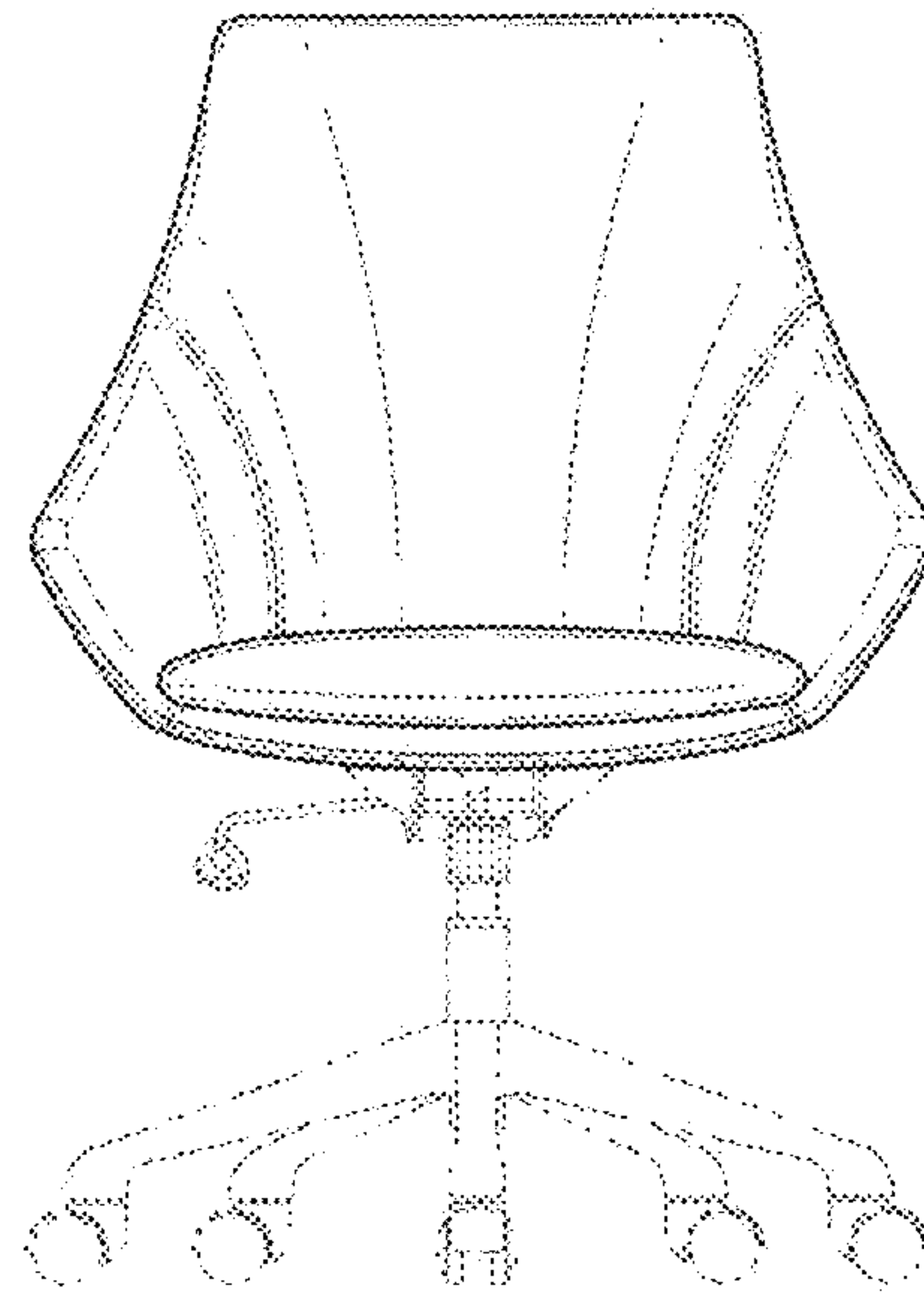
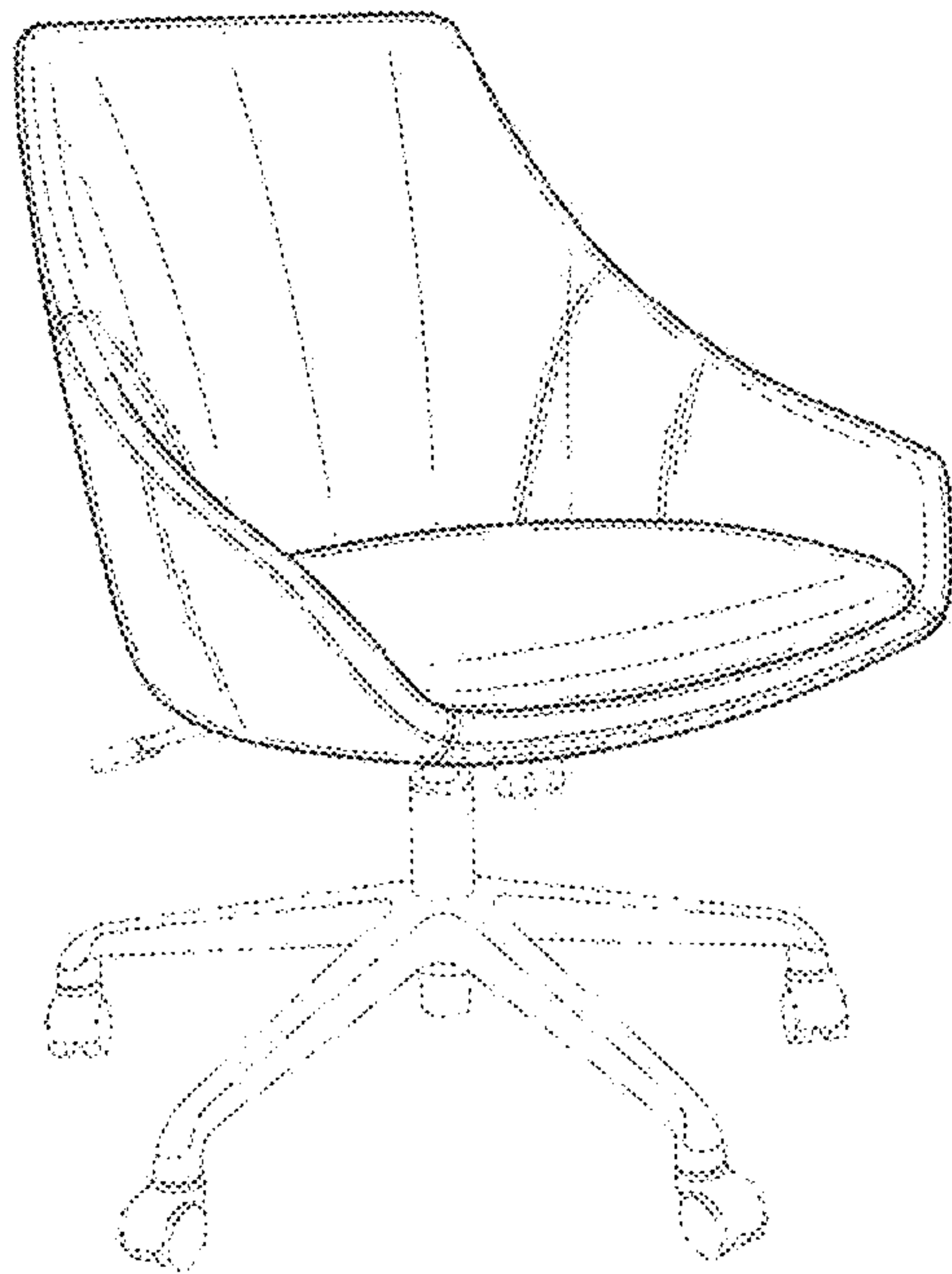
(57) **CLAIM**

The ornamental design for a task chair, as shown and described.

DESCRIPTION

FIG. 1 is a perspective view of a task chair, looking toward the right front corner, showing my new design;
FIG. 2 is a front view thereof;
FIG. 3 is a right side view thereof;
FIG. 4 is a back view thereof;
FIG. 5 is a top view thereof; and,
FIG. 6 is a bottom view thereof.
The broken lines shown in the drawing are for illustrative purposes only and form no part of the claimed design.
The short even dashed lines shown on the seat, backrest, and armrests in all views are understood to represent stitching.

1 Claim, 5 Drawing Sheets



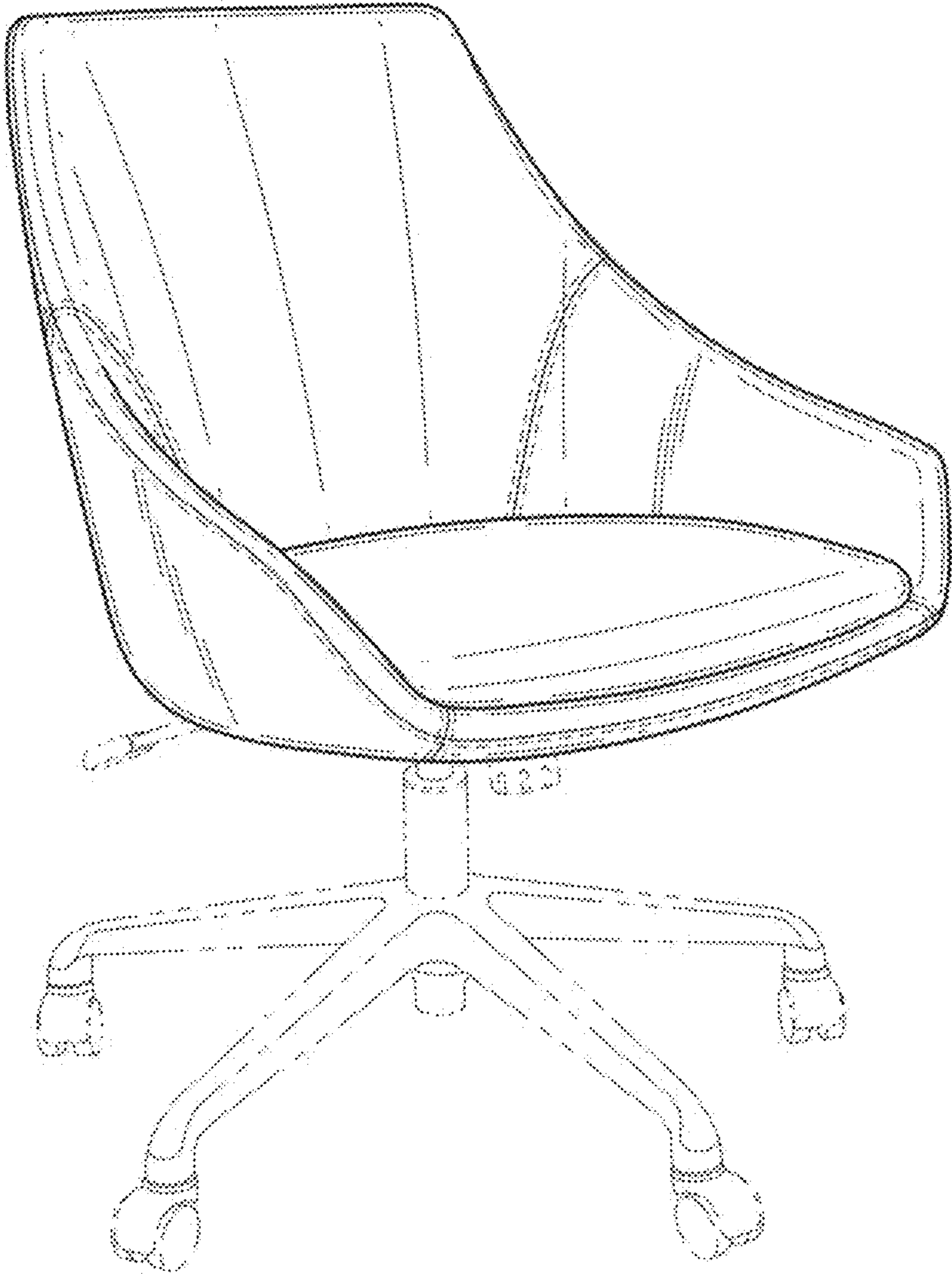


FIG. 1

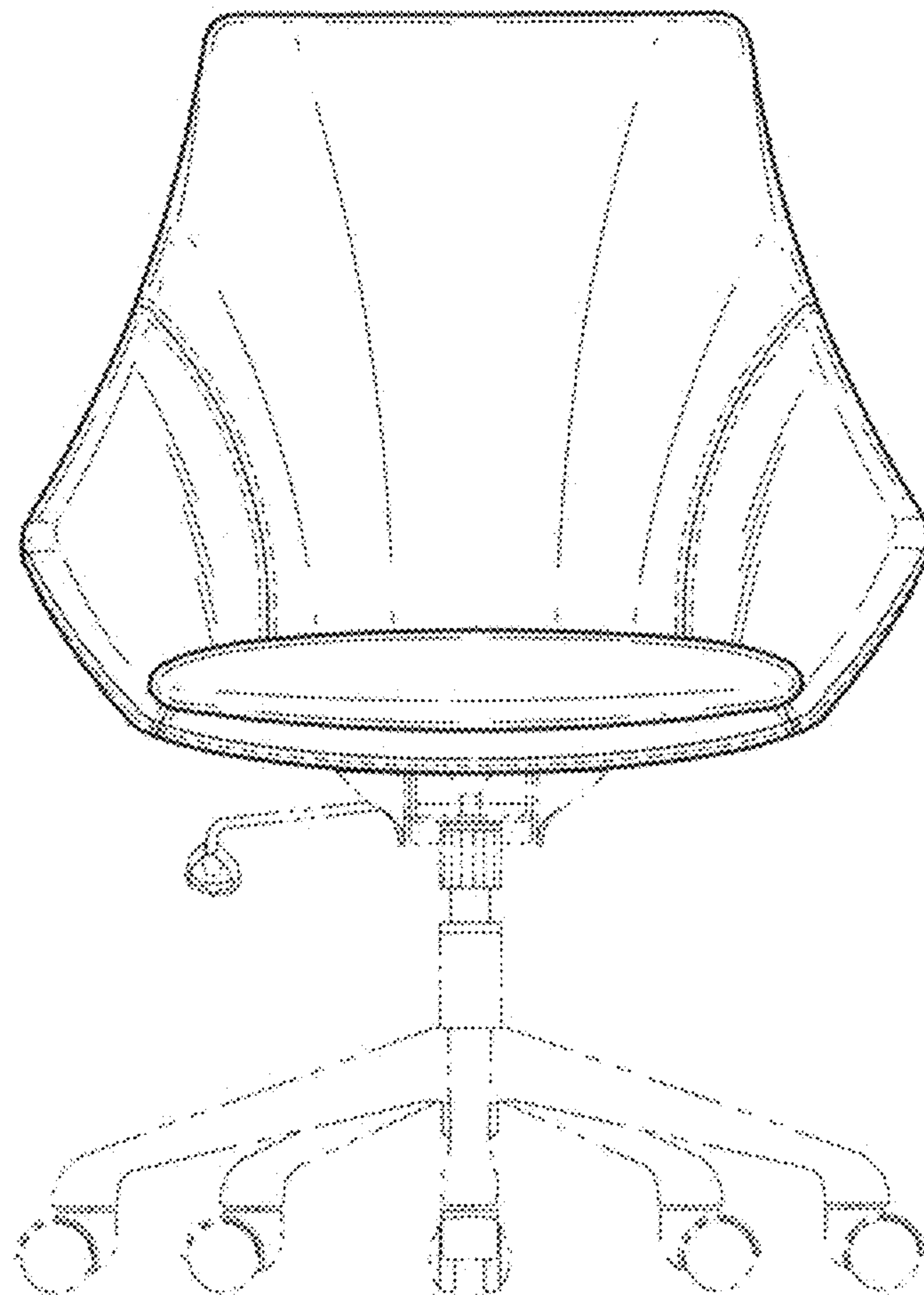


FIG. 2

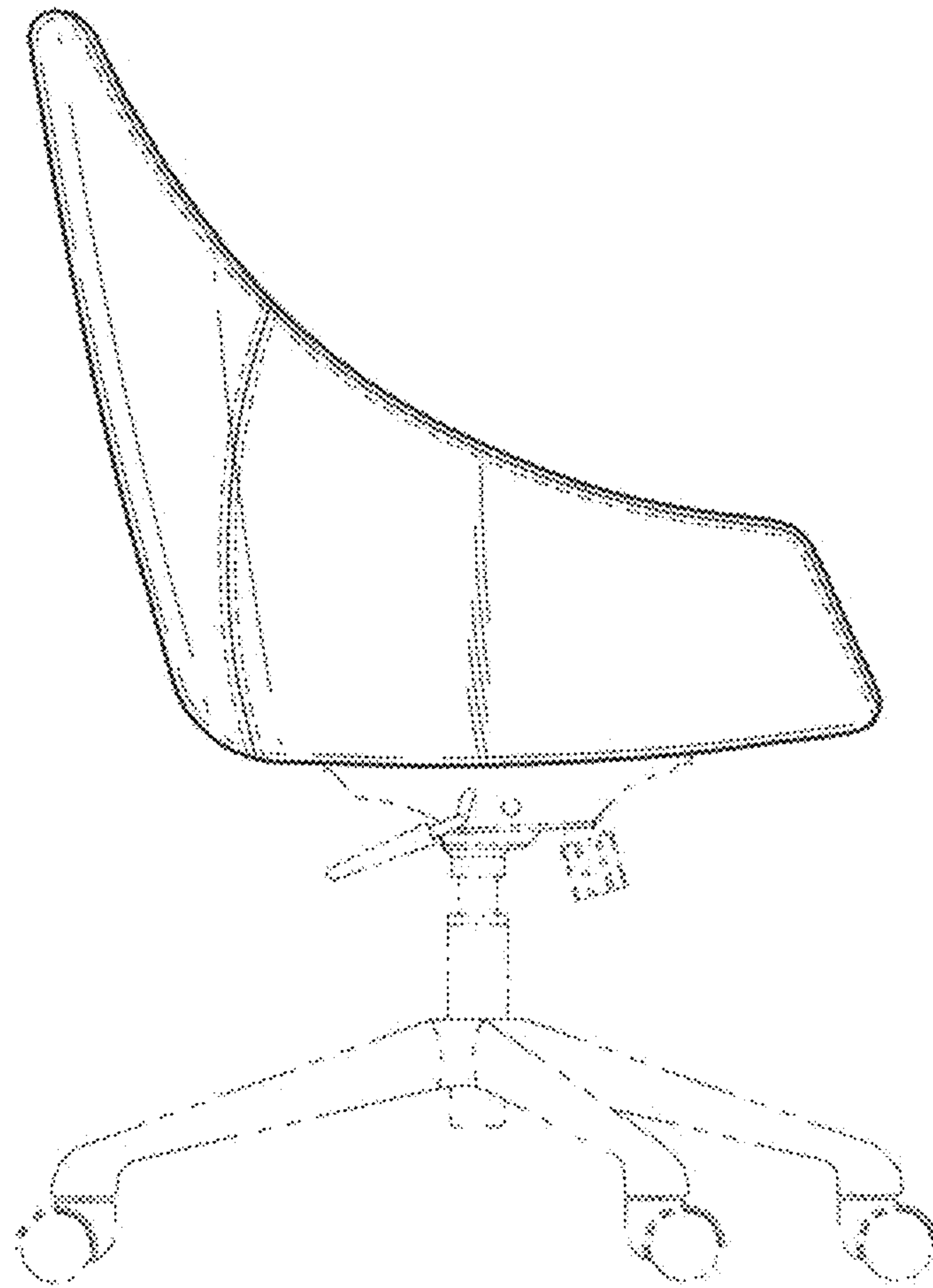


FIG. 3

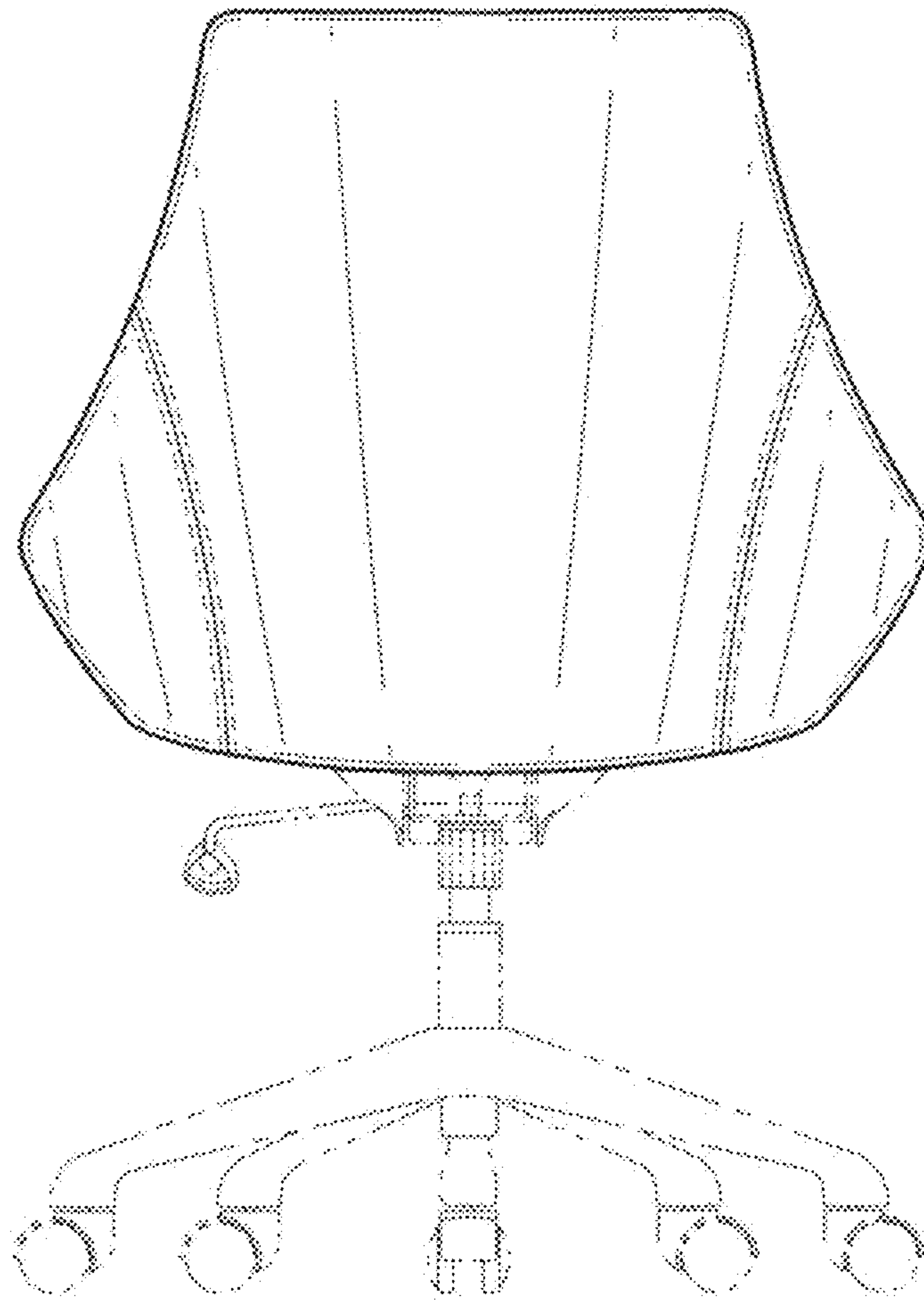


FIG. 4

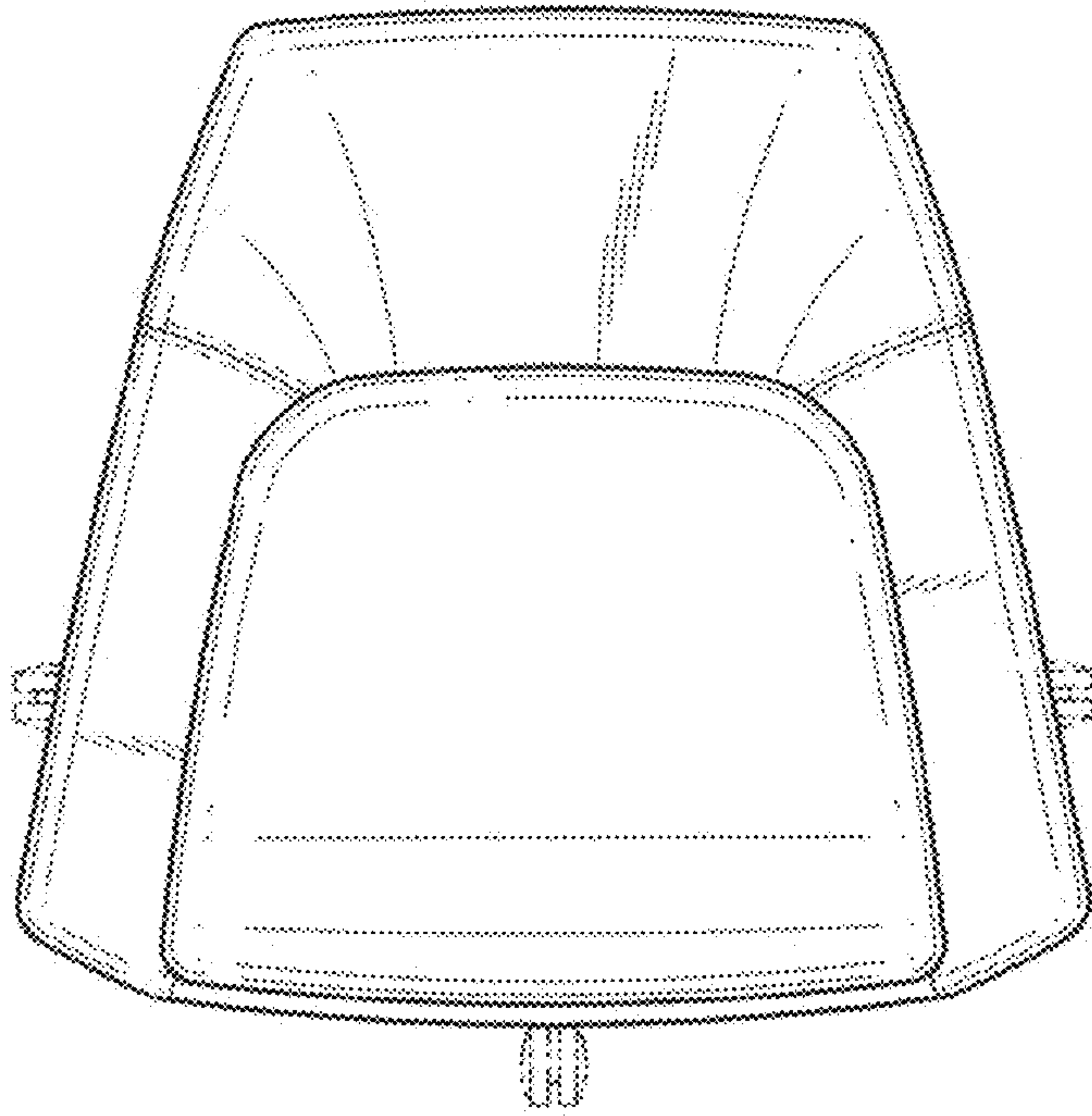


FIG. 5

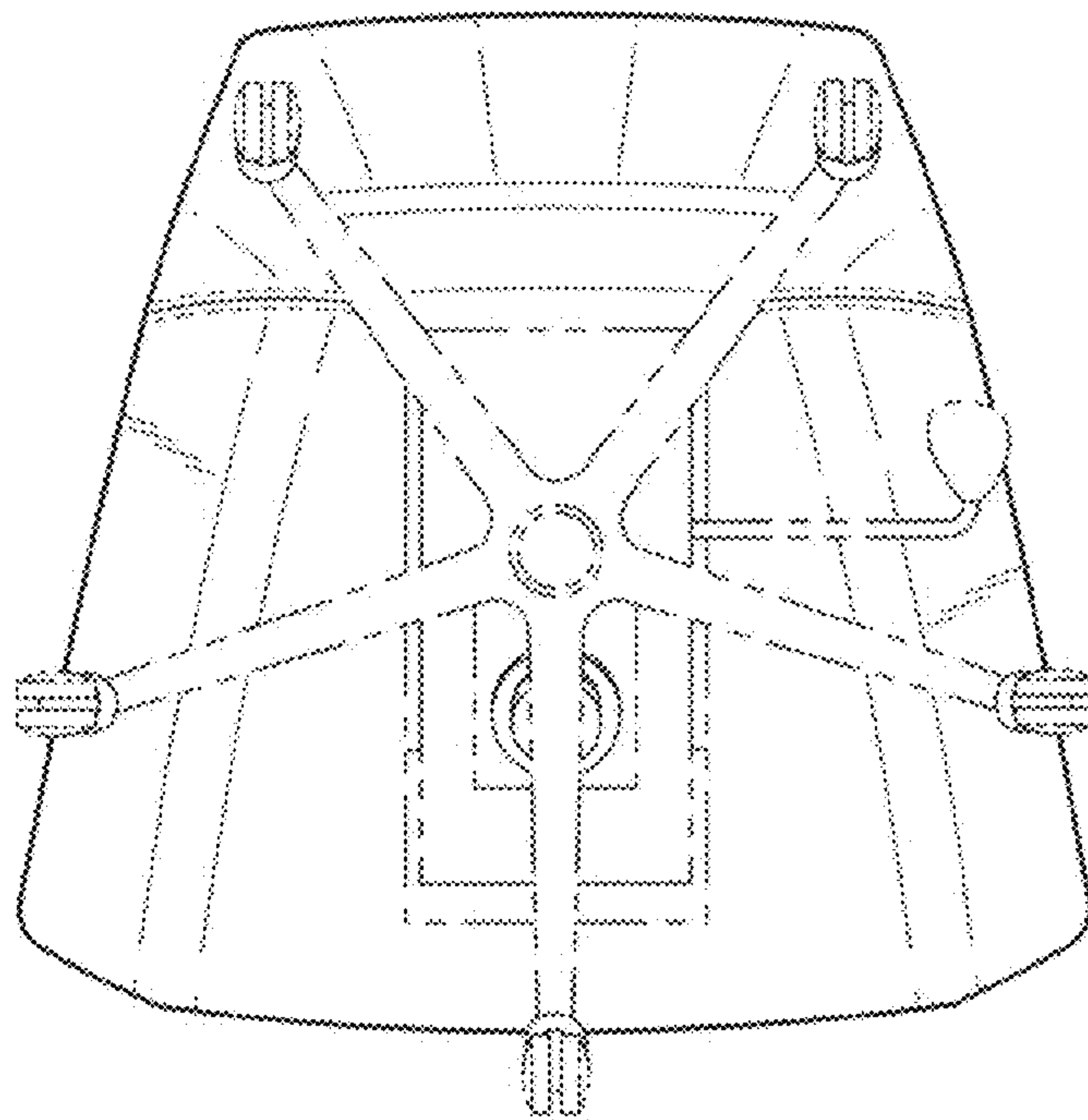


FIG. 6