



US00D766639S

(12) **United States Design Patent** (10) **Patent No.:** **US D766,639 S**  
**Glass et al.** (45) **Date of Patent:** **\*\* Sep. 20, 2016**

(54) **CHAIR BUCKET**

(71) Applicant: **Virco Mfg. Corporation**, Torrance, CA (US)

(72) Inventors: **Peter Glass**, Arroyo Grande, CA (US);  
**Robert Mills**, Torrance, CA (US)

(73) Assignee: **Virco Mfg. Corporation**, Torrance, CA (US)

(\*\*) Term: **14 Years**

(21) Appl. No.: **29/521,985**

(22) Filed: **Mar. 26, 2015**

(51) **LOC (10) Cl.** ..... **06-01**

(52) **U.S. Cl.**  
USPC ..... **D6/716; D6/373**

(58) **Field of Classification Search**  
USPC ..... D6/334-336, 371, 373, 374, 375, 376,  
D6/379, 380, 716, 716.1, 716.4  
CPC ..... A47C 3/04; A47C 4/02; A47C 4/03;  
A47C 5/04; A47C 3/12; A47C 5/12  
See application file for complete search history.

(56) **References Cited**

**U.S. PATENT DOCUMENTS**

D238,837 S *	2/1976	Mullhauser	.....	D6/373
D390,024 S *	2/1998	DeJule	.....	D6/373
D410,801 S *	6/1999	Holbrook	.....	D6/373
D414,618 S *	10/1999	Holbrook	.....	D6/373
D423,805 S *	5/2000	Olson	.....	D6/373
D564,248 S *	3/2008	Alter Molina	.....	D6/373
D648,149 S *	11/2011	Cox	.....	D6/373
D658,398 S *	5/2012	High	.....	D6/373
8,678,504 B1 *	3/2014	Bakker	.....	A47C 3/12 297/440.14
D753,945 S *	4/2016	Johnson	.....	D6/375

**OTHER PUBLICATIONS**

Webpage—Mansion—Hon Smartlink Armless Student Chair with Glides 12 in Seat, Item # 0172-1412353, Publication Date Unknown, 2 pages.

Webpage—KI—Maestro Stack Chair, Model # MSUS, Publication Date Unknown, 2 pages.

Webpage—VIRCO—4100 Ultrastack Sled-Based Chair, Publication Date Unknown, 1 page.

Webpage—School Specialty Marketplace—Hon Accomplish Cantilever Chair 16 in Seat, Item # 1366465, Publication Date Unknown, 2 pages.

Webpage—Herman Miller—Chair First, Publication Date Unknown, 2 pages.

\* cited by examiner

*Primary Examiner* — Mimoso De

(74) *Attorney, Agent, or Firm* — Jeffrey G. Sheldon; Leech Tishman Fuscaldò & Lampl; Robert M. Hupe

(57) **CLAIM**

The ornamental design of a chair bucket, described in the specification and illustrated in the drawings.

**DESCRIPTION**

FIG. 1 is a perspective view showing of the chair bucket design, the broken lines are for environmental purposes only and form no part of the claim design;

FIG. 2 is a front view of the chair bucket illustrated in FIG. 1, the broken lines are for environmental purposes only and form no part of the claim design;

FIG. 3 is a side of the chair bucket illustrated in FIG. 1, the broken lines are for environmental purposes only and form no part of the claim design, the opposite side of the chair bucket illustrated in FIG. 1 is the mirror image of that which is illustrated in FIG. 3;

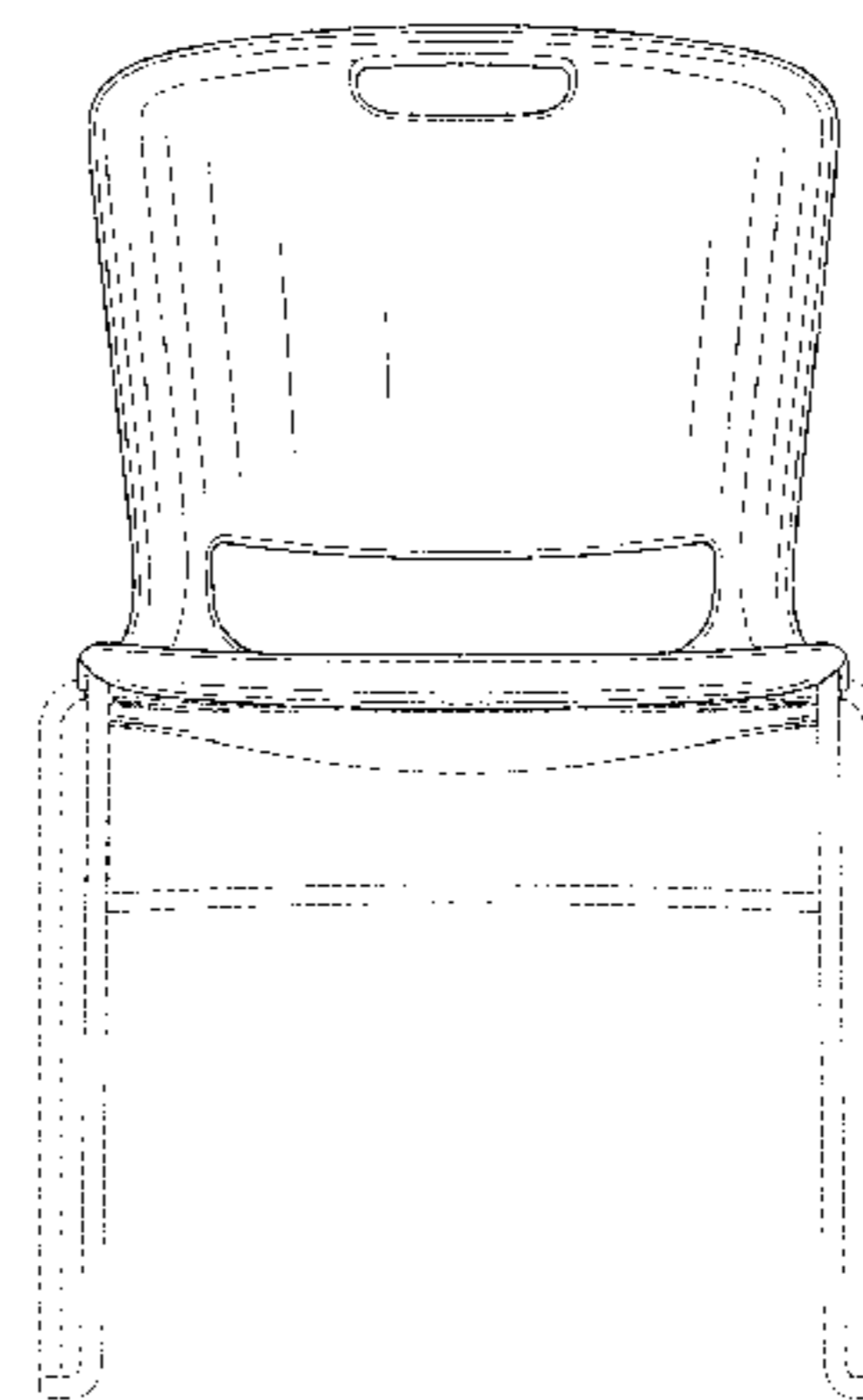
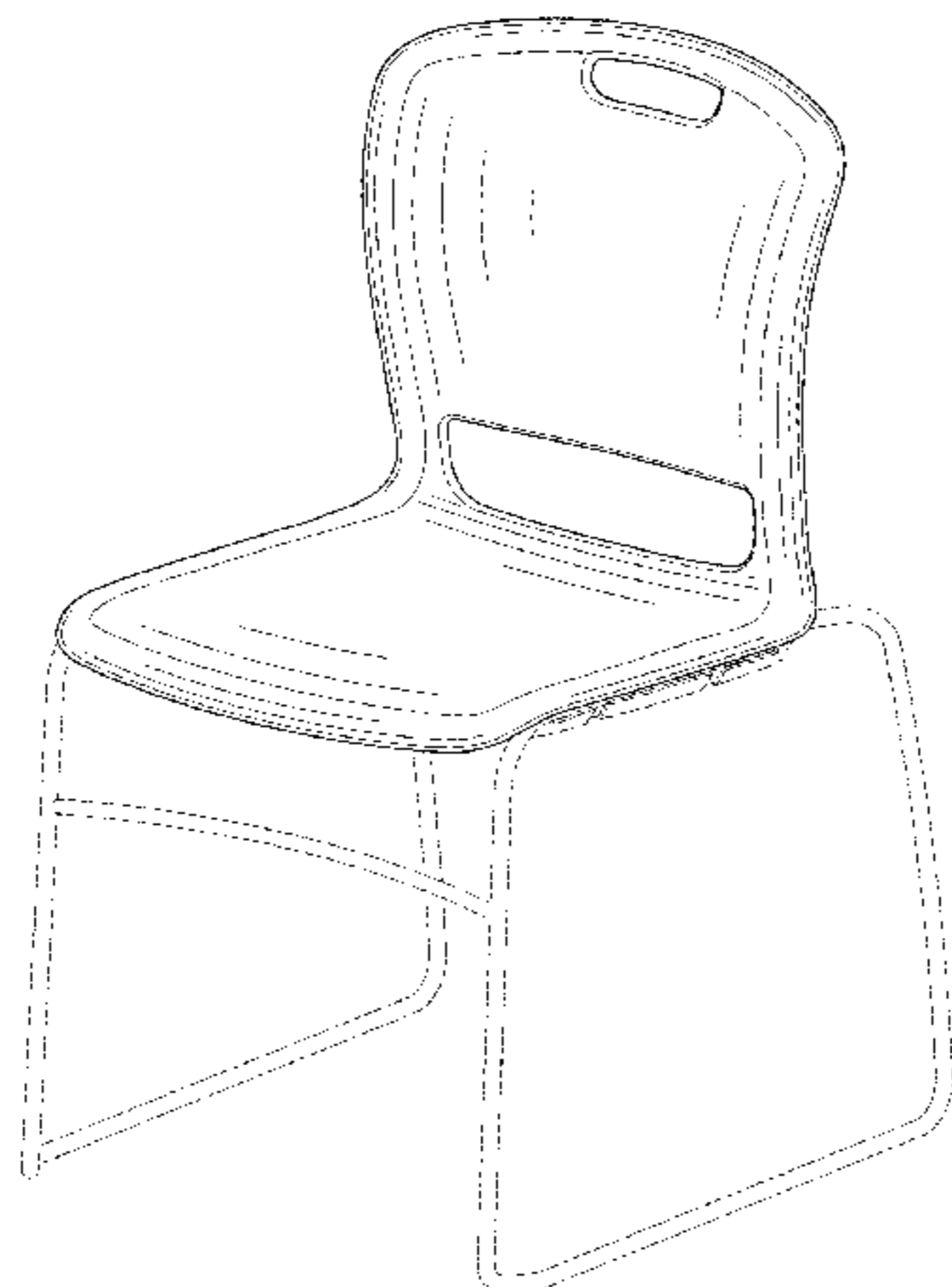
FIG. 4 is a top view of the chair bucket illustrated in FIG. 1, the broken lines are for environmental purposes only and form no part of the claim design;

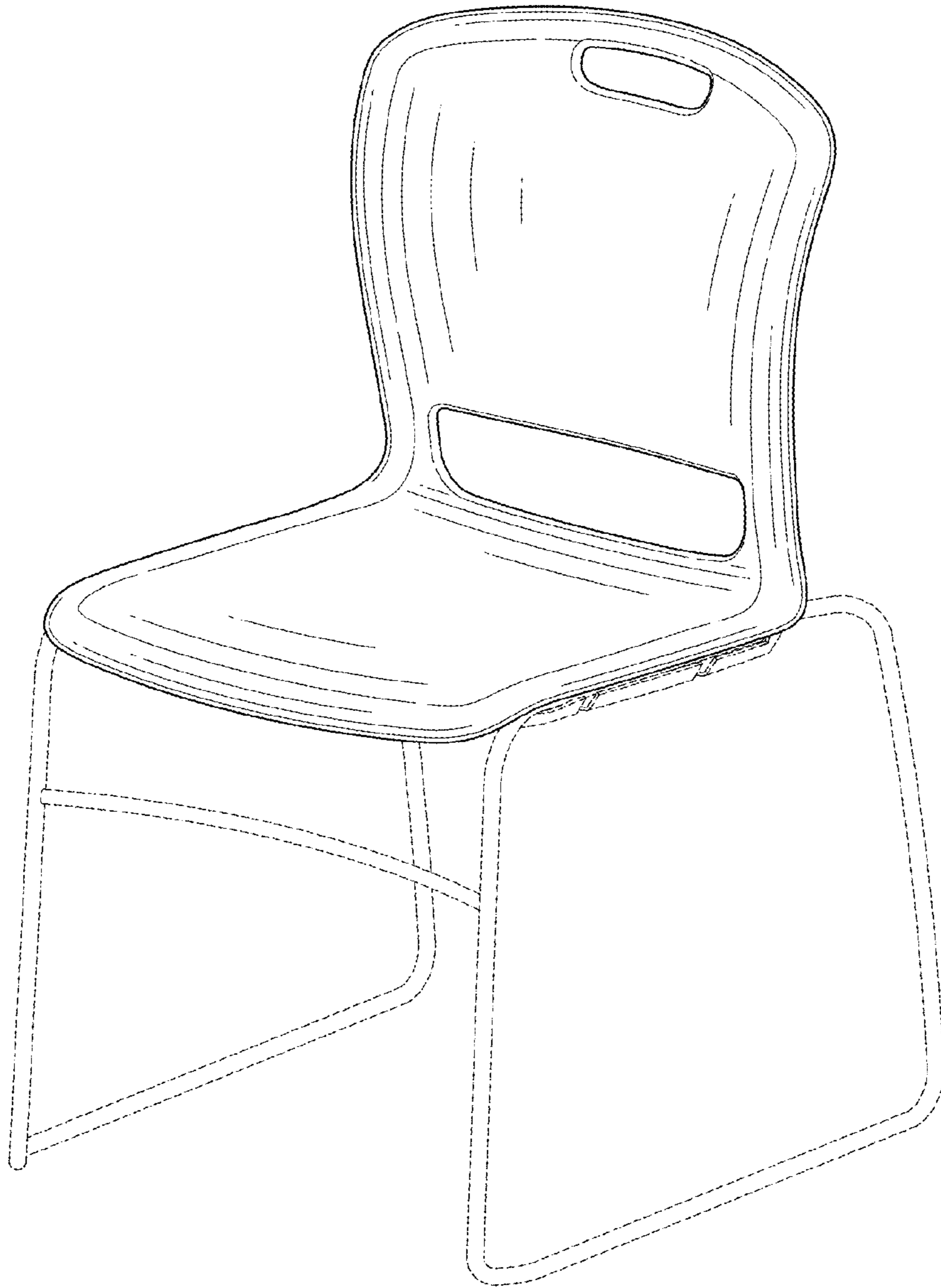
FIG. 5 is a bottom view of the chair bucket illustrated in FIG. 1, the broken lines are for environmental purposes only and form no part of the claim design;

FIG. 6 is a rear view of the chair bucket illustrated in FIG. 1, the broken lines are for environmental purposes only and form no part of the claim design; and,

FIG. 7 is a bottom perspective view of the chair bucket illustrated in FIG. 1, the broken lines are for environmental purposes only and form no part of the claimed design.

**1 Claim, 5 Drawing Sheets**





*FIG. 1*

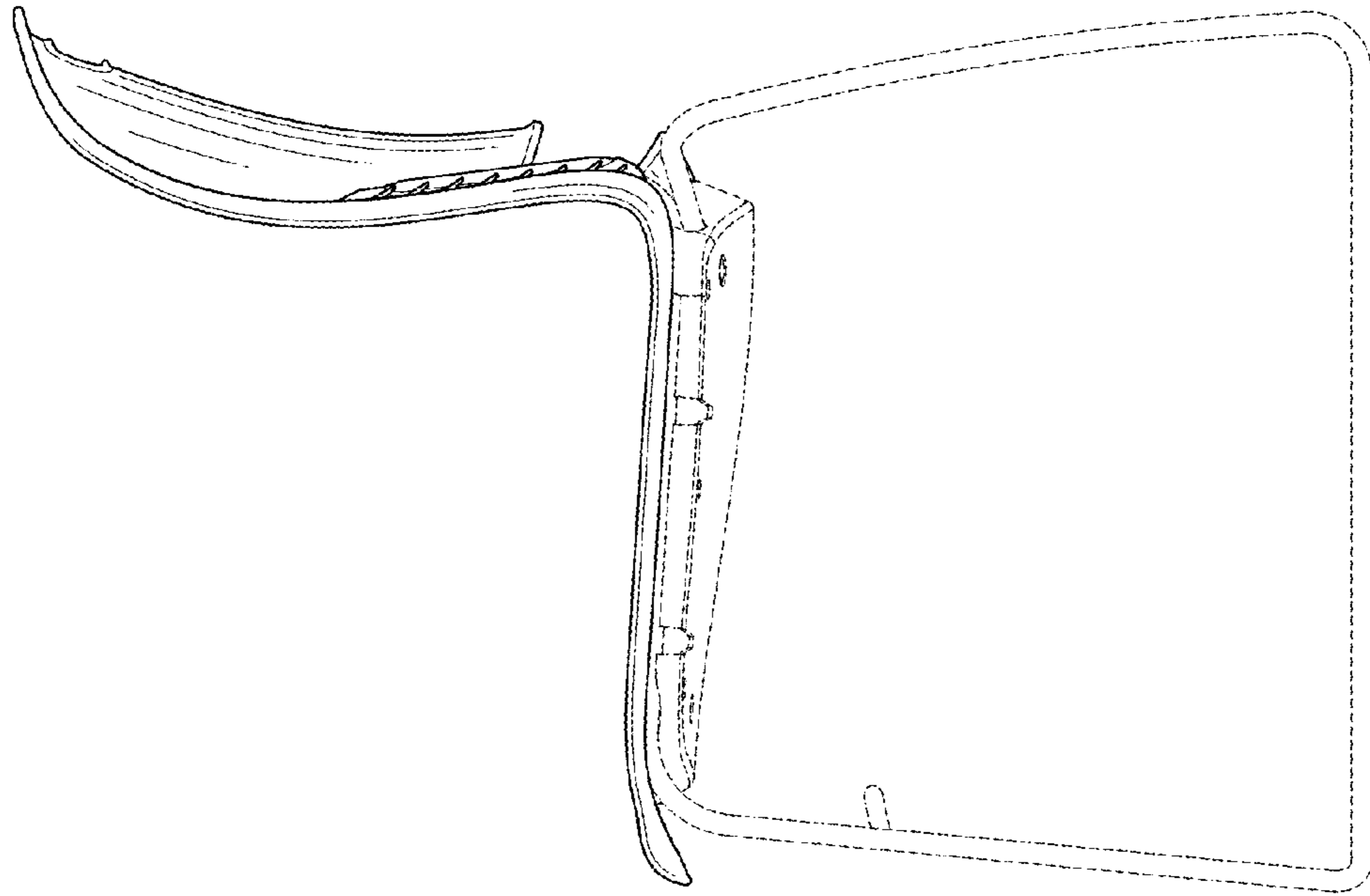


FIG. 3

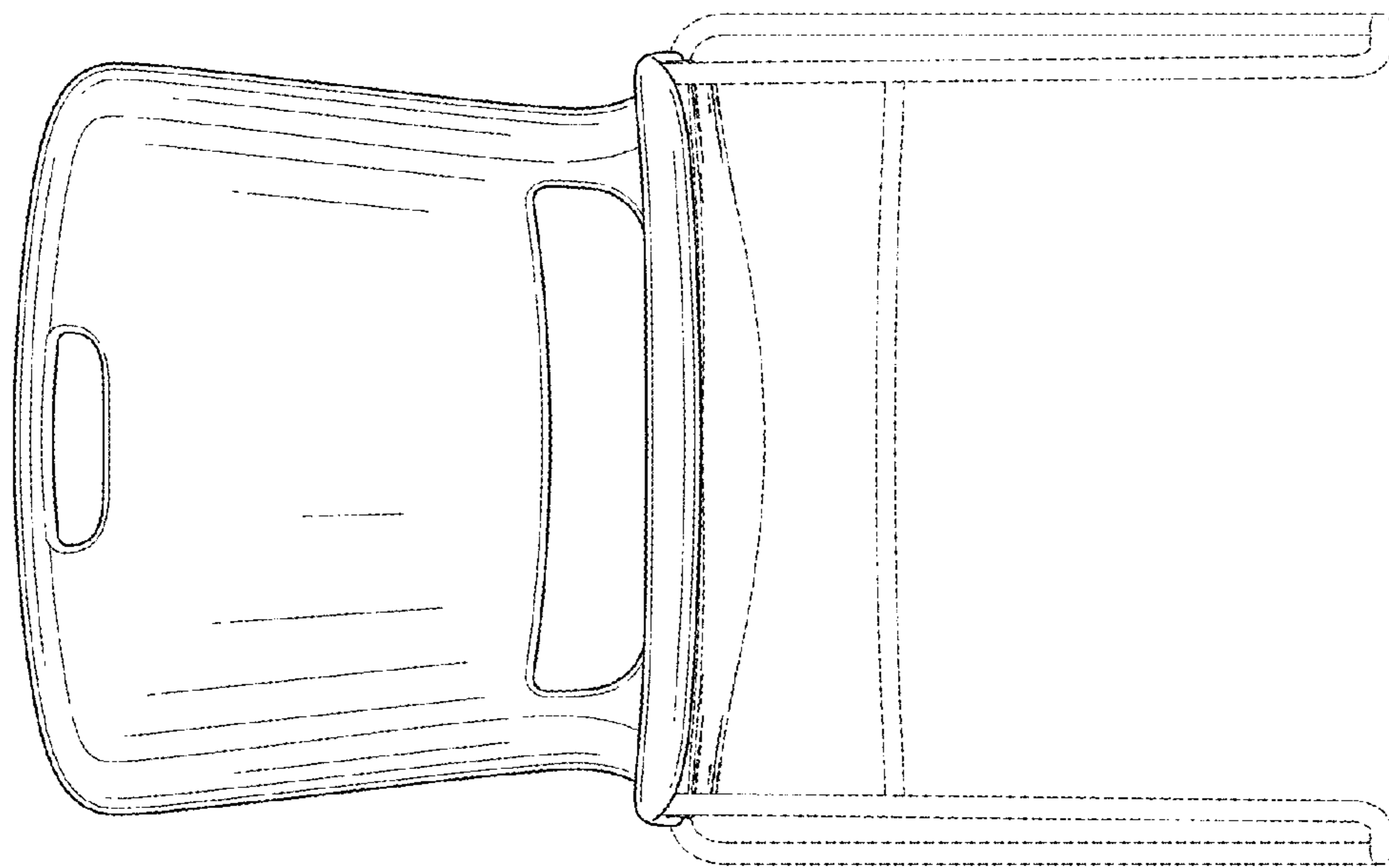
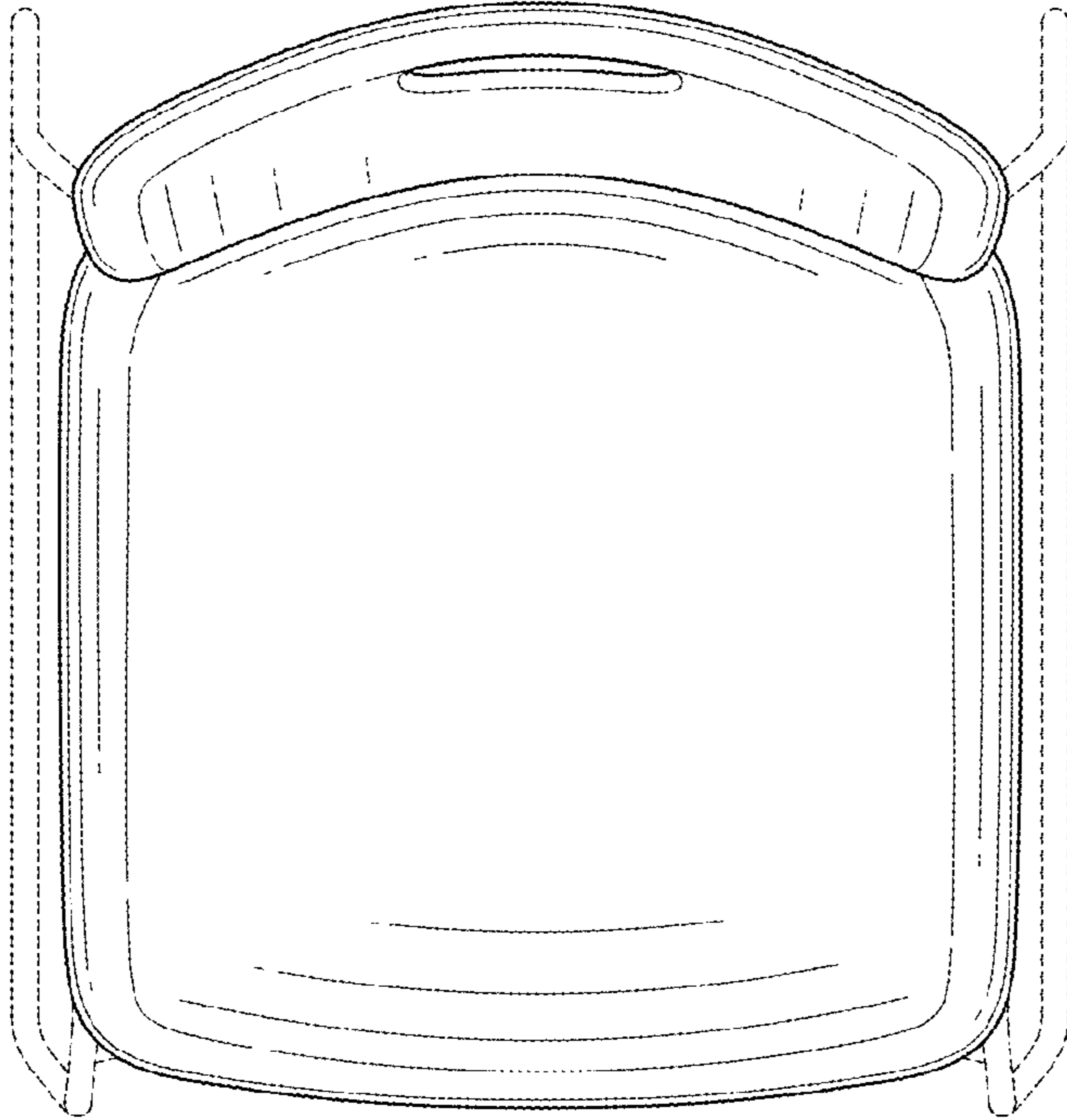
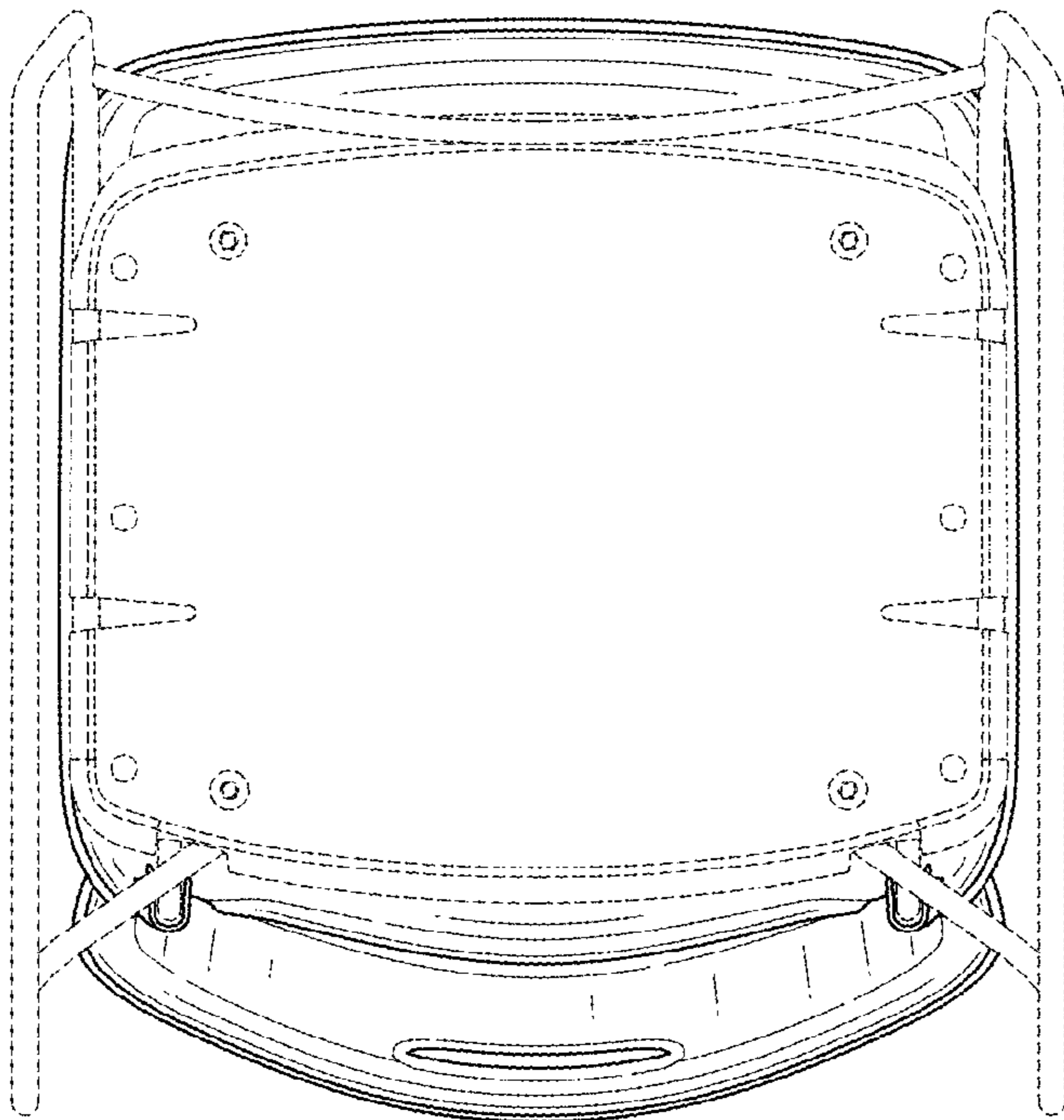


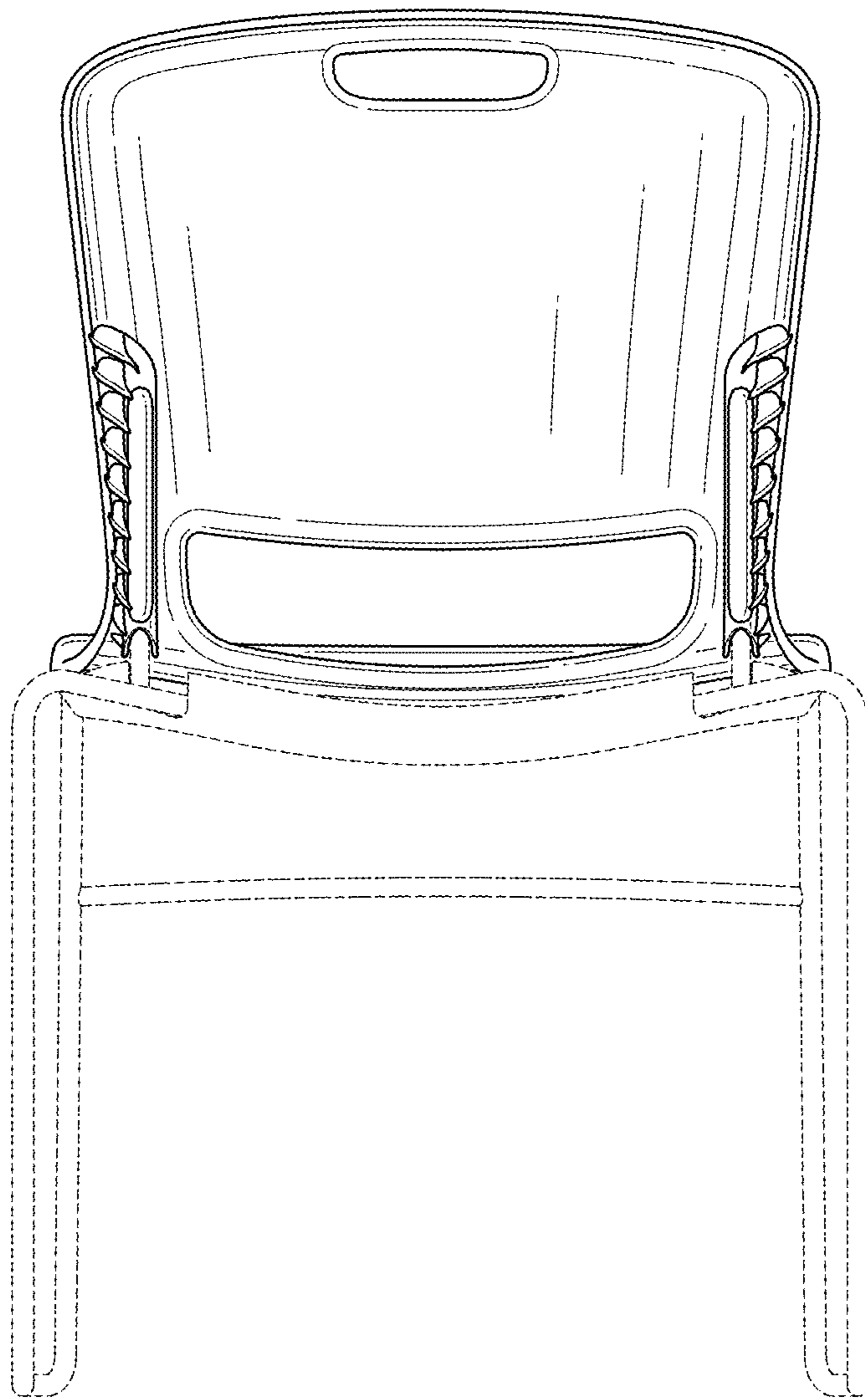
FIG. 2



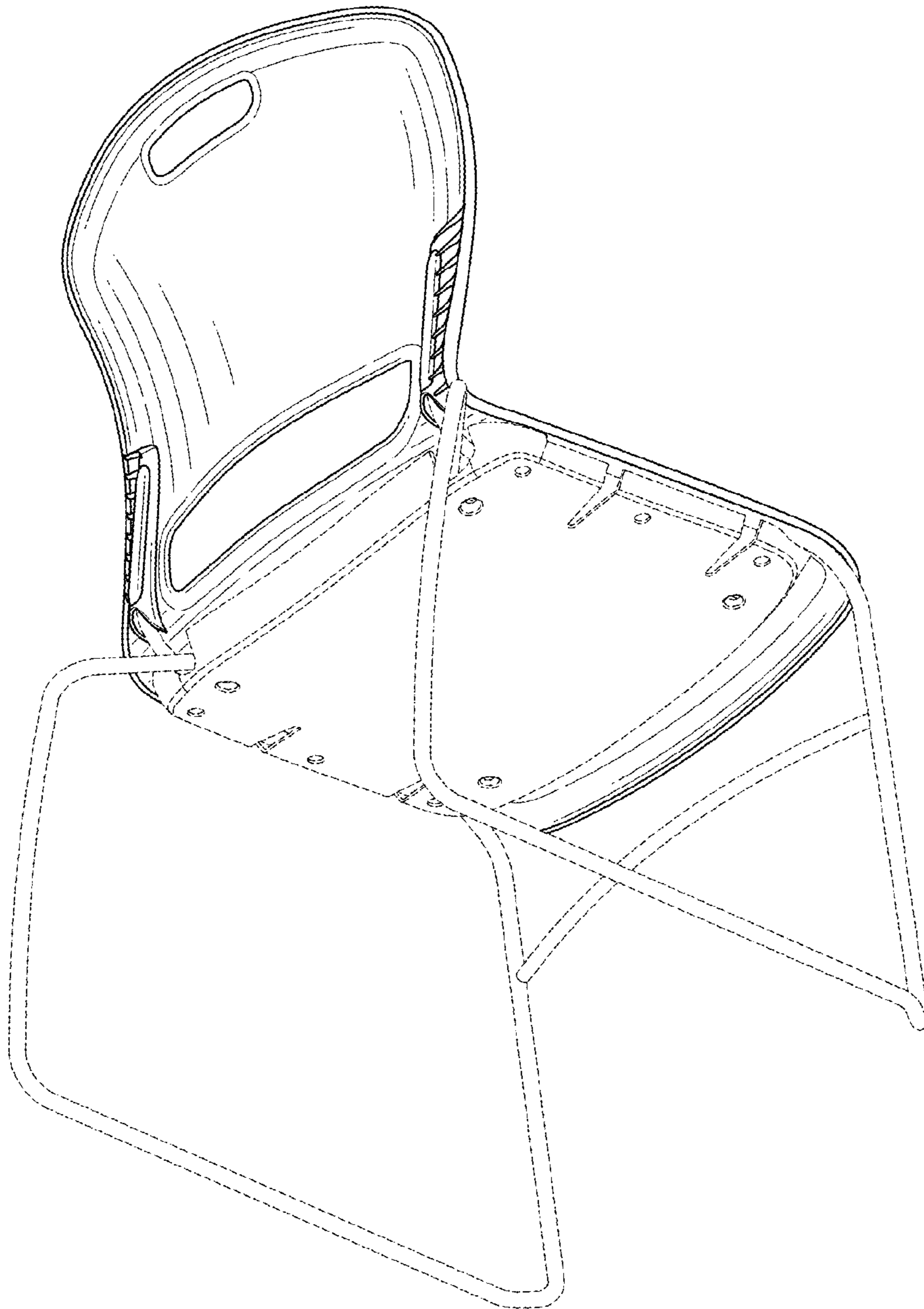
*FIG. 4*



*FIG. 5*



*FIG. 6*



*FIG. 7*