



US00D766638S

(12) **United States Design Patent** (10) **Patent No.:** **US D766,638 S**
Kubryk (45) **Date of Patent:** **** Sep. 20, 2016**

(54) **TASK CHAIR**
(71) Applicant: **Isaac Kubryk**, Lockeford, CA (US)
(72) Inventor: **Isaac Kubryk**, Lockeford, CA (US)
(73) Assignee: **Global Allies, LLC**, Lockelord, CA (US)
(**) Term: **14 Years**

D402,480 S * 12/1998 Stafford D6/366
D460,885 S * 7/2002 Silva D6/366
D654,732 S * 2/2012 Kubryk D6/716
D730,670 S * 6/2015 Kubryk D6/716
D731,830 S * 6/2015 Kubryk D6/716

* cited by examiner

Primary Examiner — Mimoso De

(74) *Attorney, Agent, or Firm* — Audrey A. Millemann; Weintraub Tobin

(21) Appl. No.: **29/521,366**
(22) Filed: **Mar. 23, 2015**
(51) **LOC (10) Cl.** **06-01**
(52) **U.S. Cl.**
USPC **D6/716**
(58) **Field of Classification Search**
USPC D6/334–336, 364, 365, 366, 371–375,
D6/379, 380, 716, 716.1, 716.2, 716.4
CPC A47C 4/02; A47C 4/03; A47C 7/18;
A47C 3/12; A47C 5/12; A47C 7/54
See application file for complete search history.

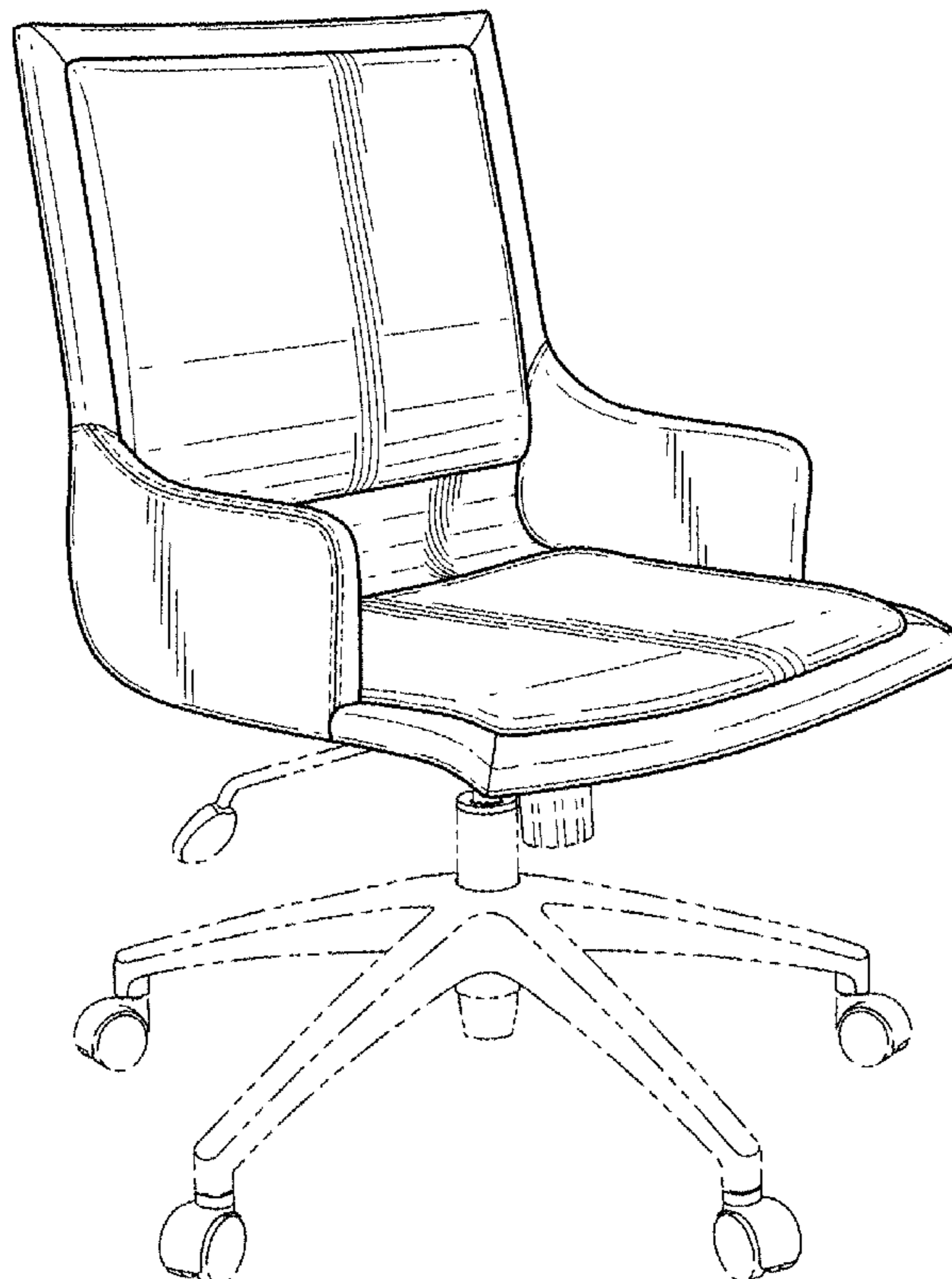
(57) **CLAIM**
The ornamental design for a task chair, as shown and described.

DESCRIPTION

FIG. 1 is a perspective view of a task chair, looking toward the right front corner, showing my new design;
FIG. 2 is a front view thereof;
FIG. 3 is a right side view thereof;
FIG. 4 is a back view thereof;
FIG. 5 is a top view thereof; and,
FIG. 6 is a bottom view thereof.
The broken lines shown in the drawing are for illustrative purposes only and form no part of the claimed design.
The short even dashed lines shown on the armrest panels in FIGS. 1, 2, 3, and 5 are understood to represent stitching.

(56) **References Cited**
U.S. PATENT DOCUMENTS
D233,809 S * 12/1974 Platner D6/366
D236,302 S * 8/1975 Prizlow D6/366

1 Claim, 5 Drawing Sheets



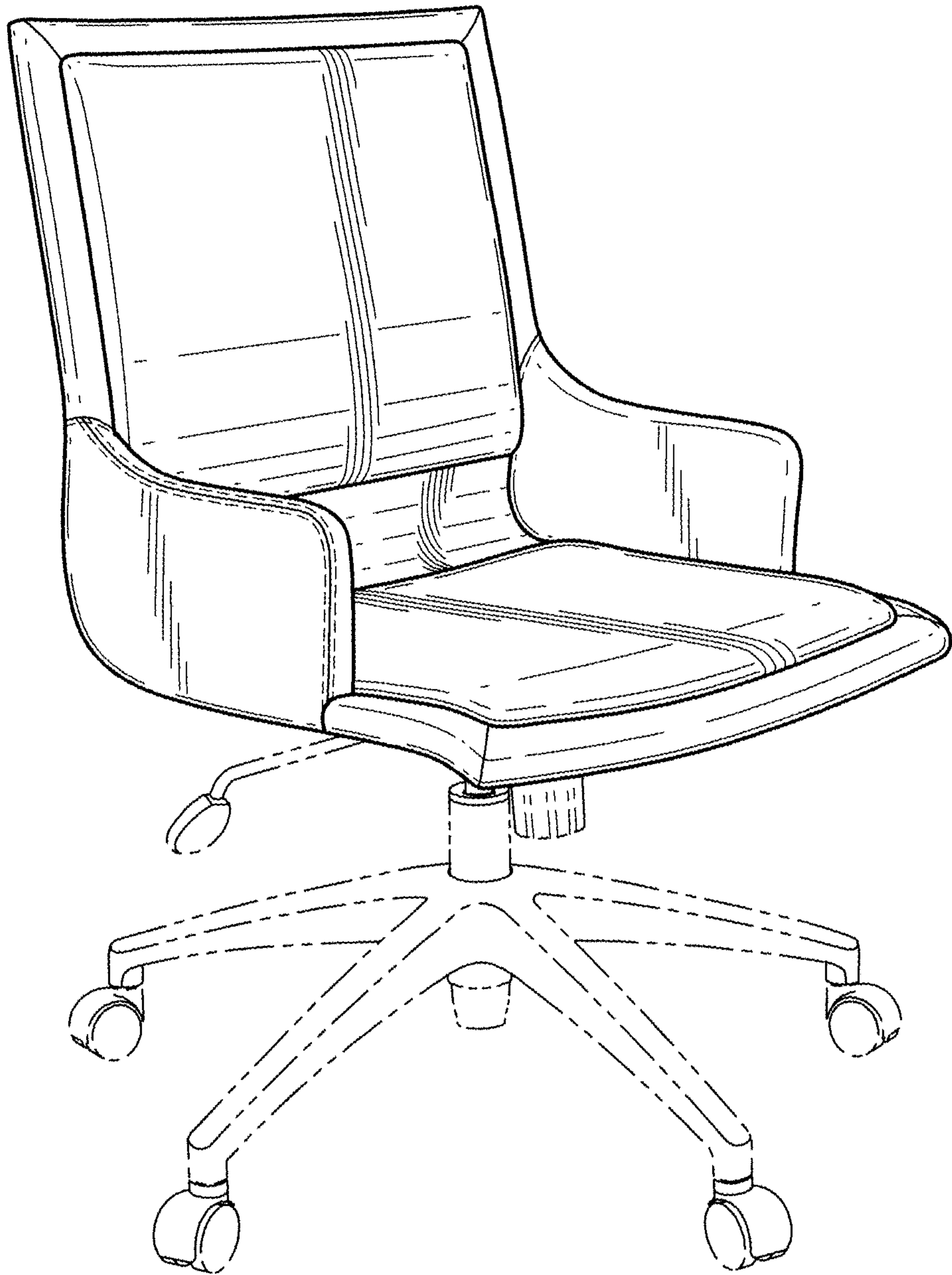


FIG. 1

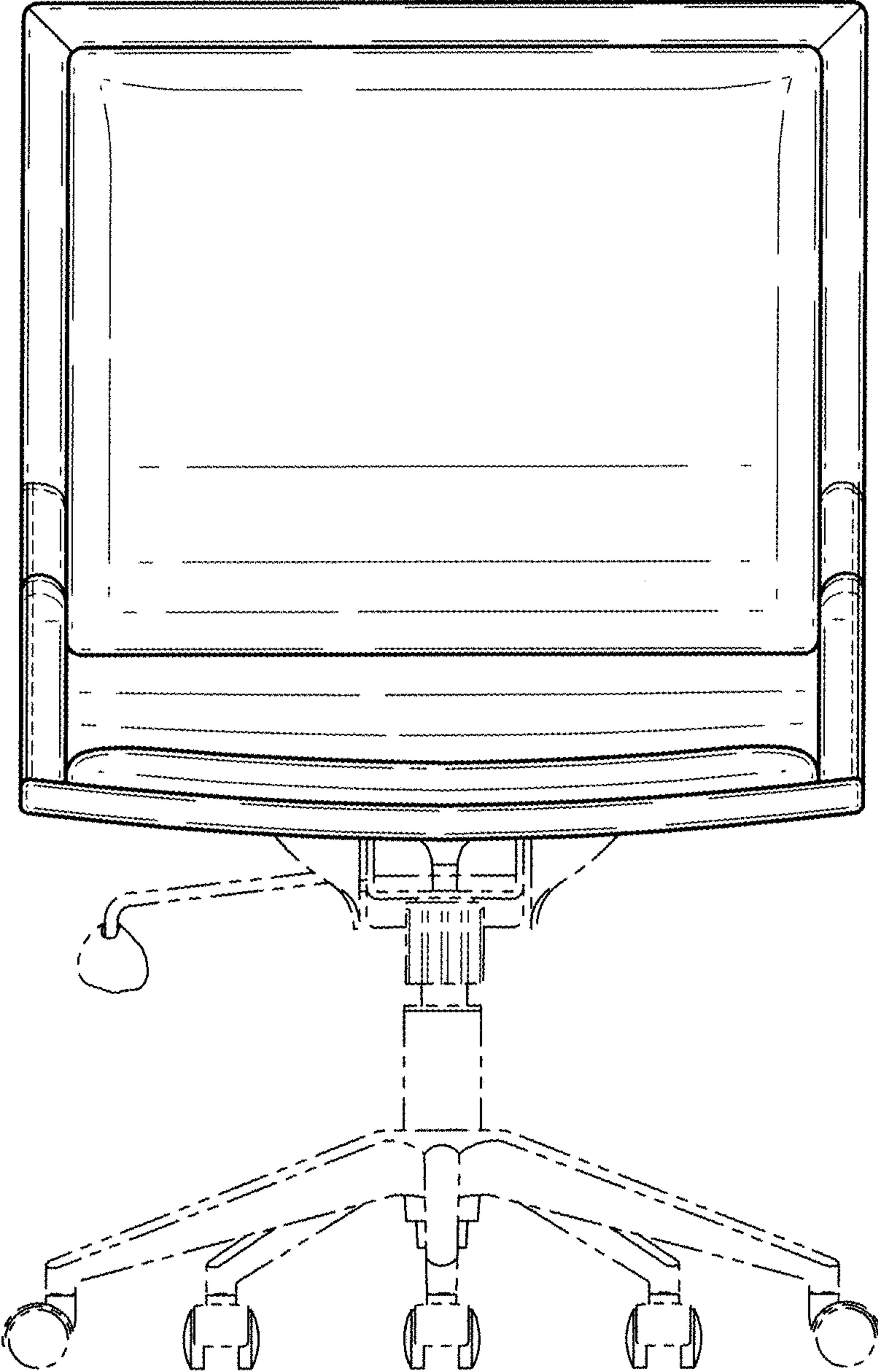


FIG. 2

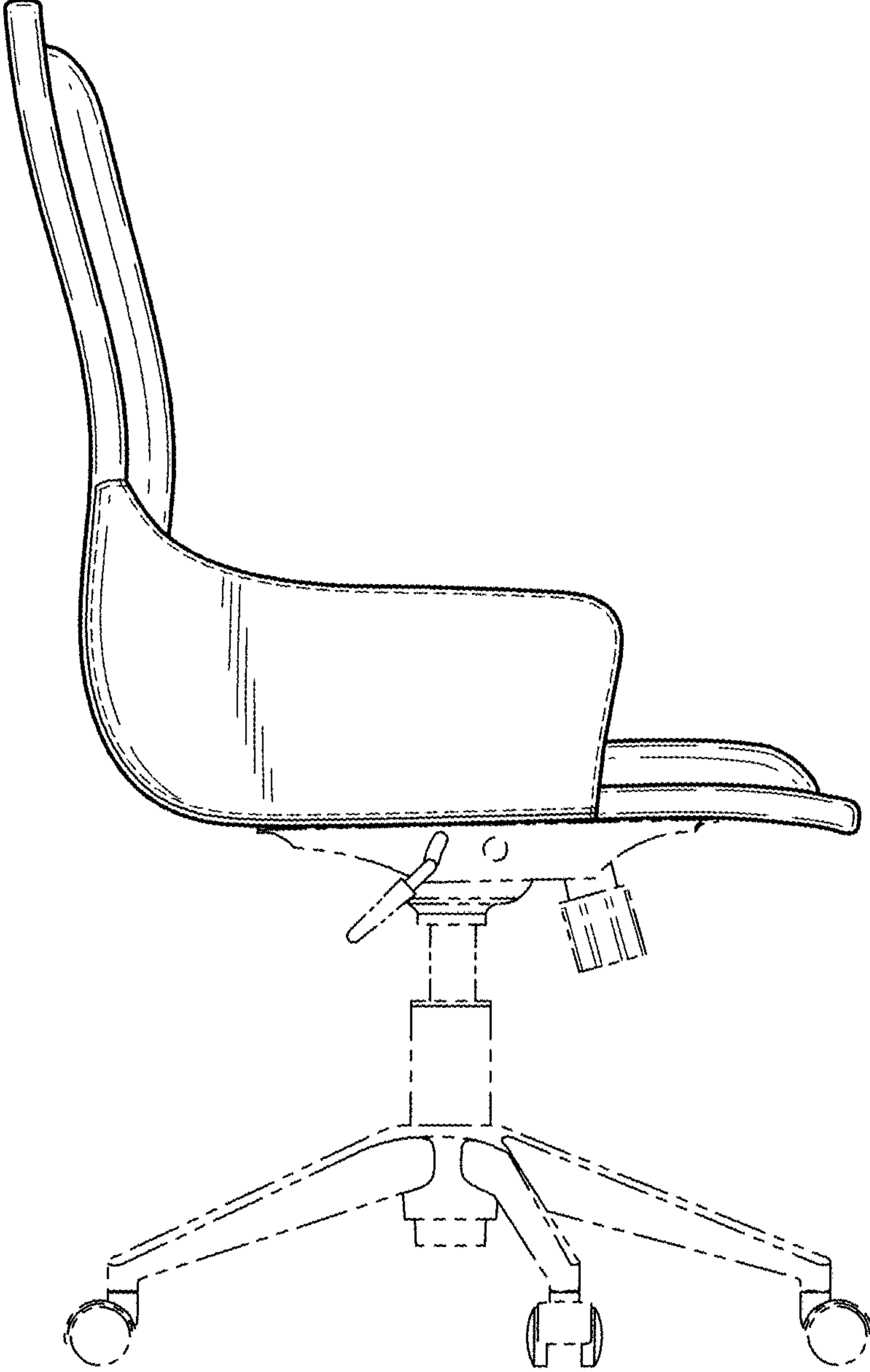


FIG. 3

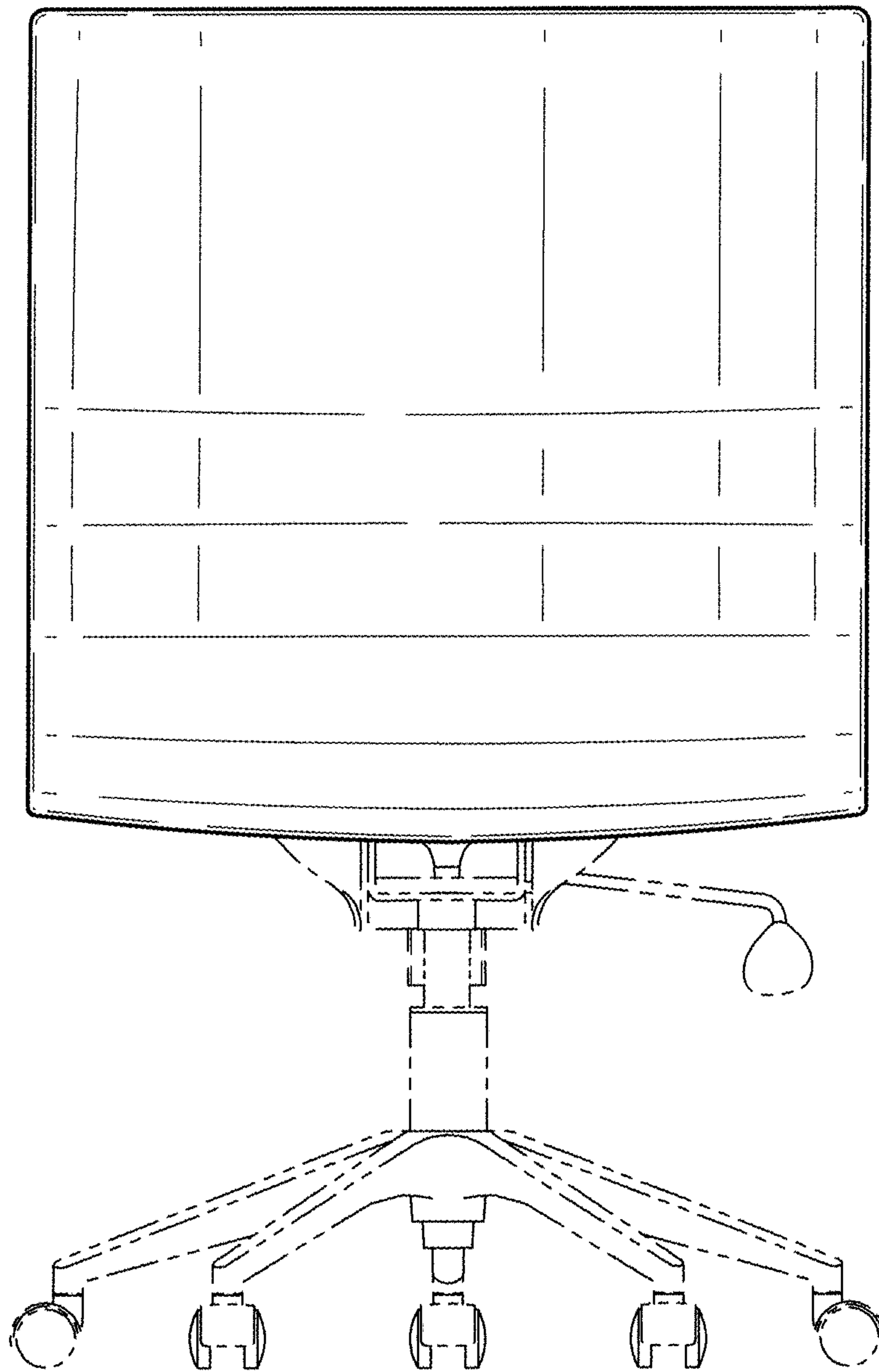


FIG. 4

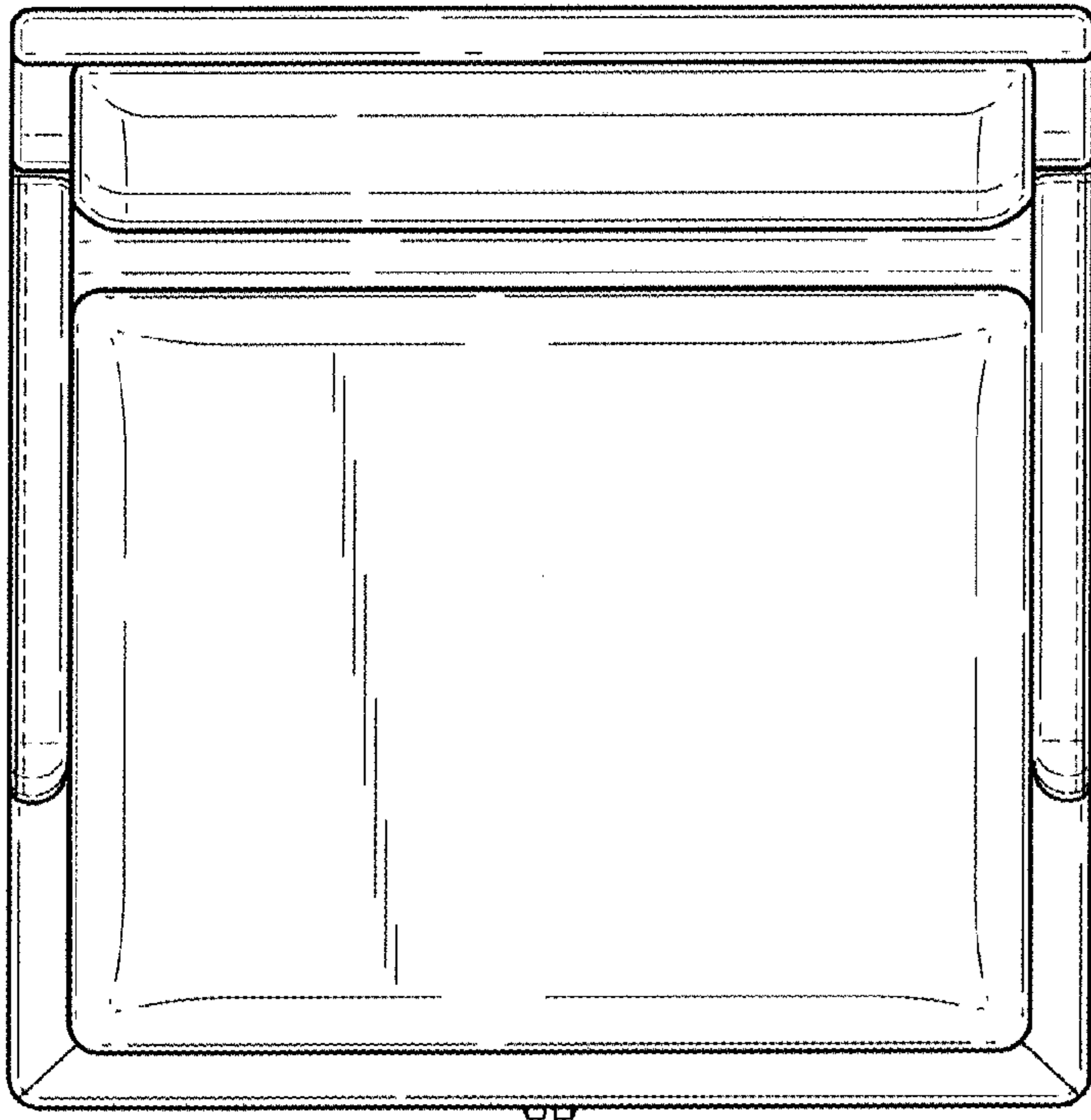


FIG. 5

FIG. 6

