



US00D766637S

(12) **United States Design Patent**  
**Kirar**

(10) **Patent No.:** **US D766,637 S**

(45) **Date of Patent:** **\*\* Sep. 20, 2016**

(54) **CHAIR**

D746,074 S \* 12/2015 Chipman ..... D6/360

(71) Applicant: **Kohler Interiors Furniture Company**,  
Hickory, NC (US)

\* cited by examiner

(72) Inventor: **Laura Kirar**, Brooklyn, NY (US)

*Primary Examiner* — Mimoso De

(73) Assignee: **KOHLER INTERIORS FURNITURE**  
**COMPANY**, Hickory, NC (US)

(74) *Attorney, Agent, or Firm* — Foley & Lardner LLP

(\*\*) Term: **14 Years**

(57) **CLAIM**

We claim the ornamental design for a chair, as shown and described.

(21) Appl. No.: **29/506,679**

**DESCRIPTION**

(22) Filed: **Oct. 17, 2014**

(51) **LOC (10) Cl.** ..... **06-01**

(52) **U.S. Cl.**  
USPC ..... **D6/716; D6/375**

(58) **Field of Classification Search**  
USPC ..... D6/334-336, 360, 369, 370, 371, 373,  
D6/375, 379, 380, 716, 716.1, 716.2,  
D6/716.3, 716.4

CPC ..... A47C 5/02; A47C 7/282; A47C 7/285;  
A47C 7/18; A47C 7/24; A47C 7/54

See application file for complete search history.

FIG. 1 is a top, front, right perspective view of an embodiment of the claimed design;

FIG. 2 is a front elevation view thereof;

FIG. 3 is a rear elevation view thereof;

FIG. 4 is a left elevation thereof;

FIG. 5 is a right elevation thereof;

FIG. 6 is a top plan view thereof;

FIG. 7 is a bottom plan view thereof;

FIG. 8 is a top, front, right perspective view of another embodiment of the claimed design;

FIG. 9 is a front elevation view thereof;

FIG. 10 is a rear elevation view thereof;

FIG. 11 is a left elevation thereof;

FIG. 12 is a right elevation thereof;

FIG. 13 is a top plan view thereof; and,

FIG. 14 is a bottom plan view thereof.

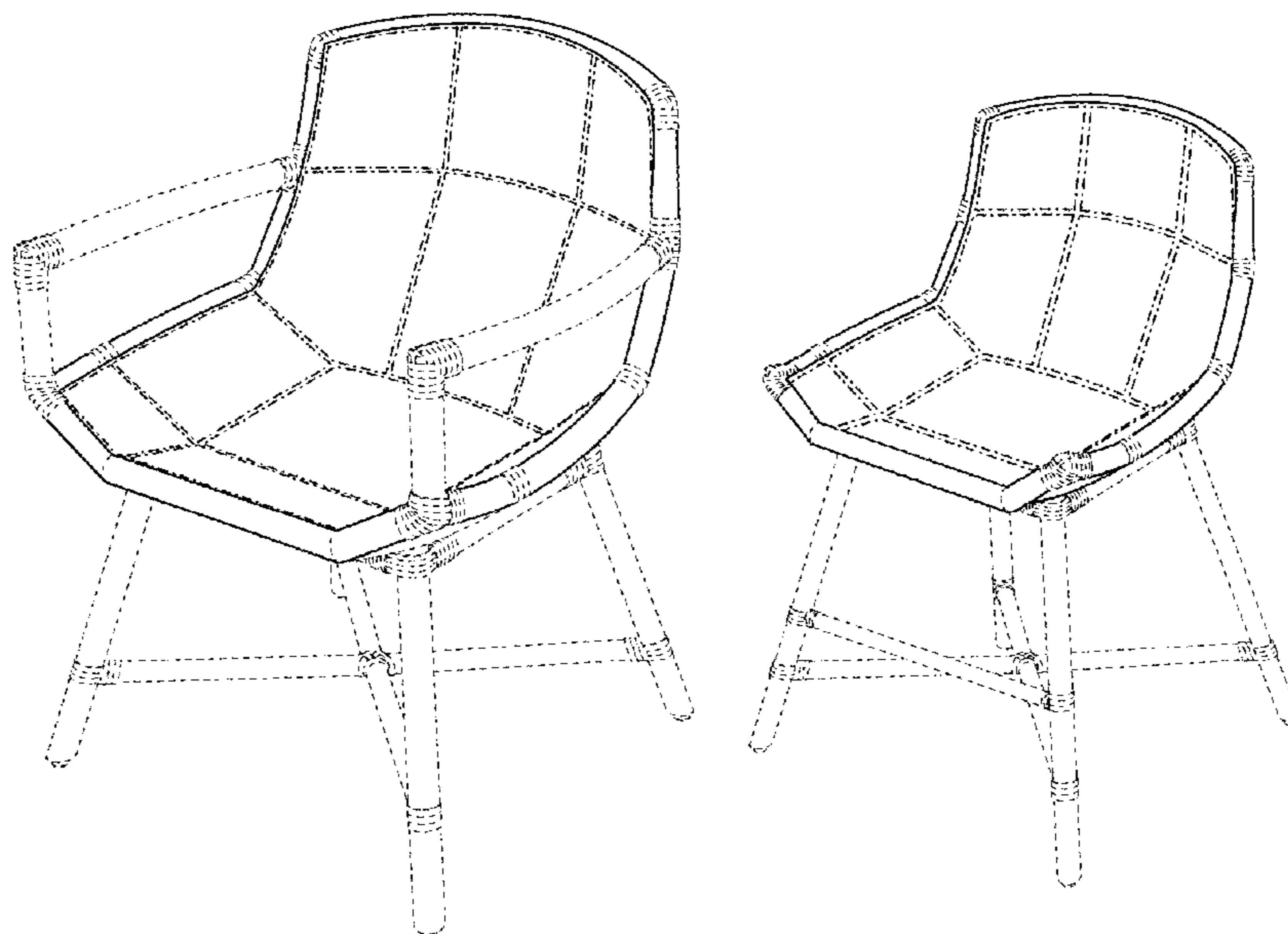
The ornamental design which is claimed is shown in solid lines in the drawings. The broken lines in the drawings form no part of the claimed design. Broken lines formed by equal length dashes show unclaimed subject matter. Broken lines formed of unequal length dashes (i.e., dash-dot) define bounds of the claimed design. Broken away symbols having a jagged element show that no particular length of the portion is claimed.

(56) **References Cited**

**U.S. PATENT DOCUMENTS**

D172,858 S *	8/1954	Yellen .....	D6/375
D175,802 S *	10/1955	Sherman .....	D6/375
D182,790 S *	5/1958	Cohen .....	D6/375
D192,029 S *	1/1962	Avedon .....	D6/375
D279,338 S *	6/1985	Offredi .....	D6/370
D573,363 S *	7/2008	Pillet .....	D6/375
D573,806 S *	7/2008	Pillet .....	D6/375
D585,207 S *	1/2009	Bauchet .....	D6/375
D613,956 S *	4/2010	Jehs .....	D6/375
D655,099 S *	3/2012	Werner .....	D6/371
D726,433 S *	4/2015	Starck .....	D6/360

**1 Claim, 8 Drawing Sheets**



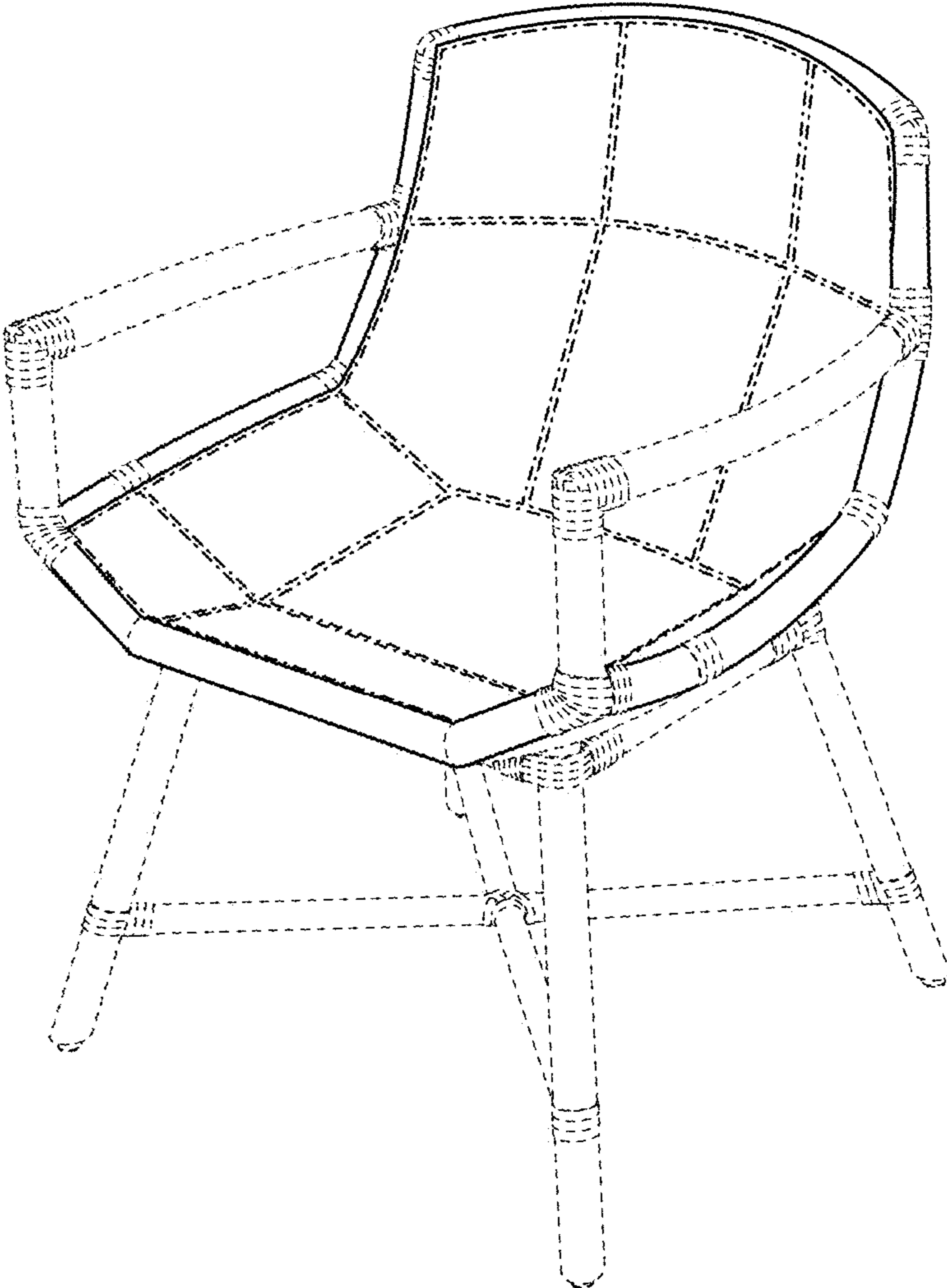


FIG. 1

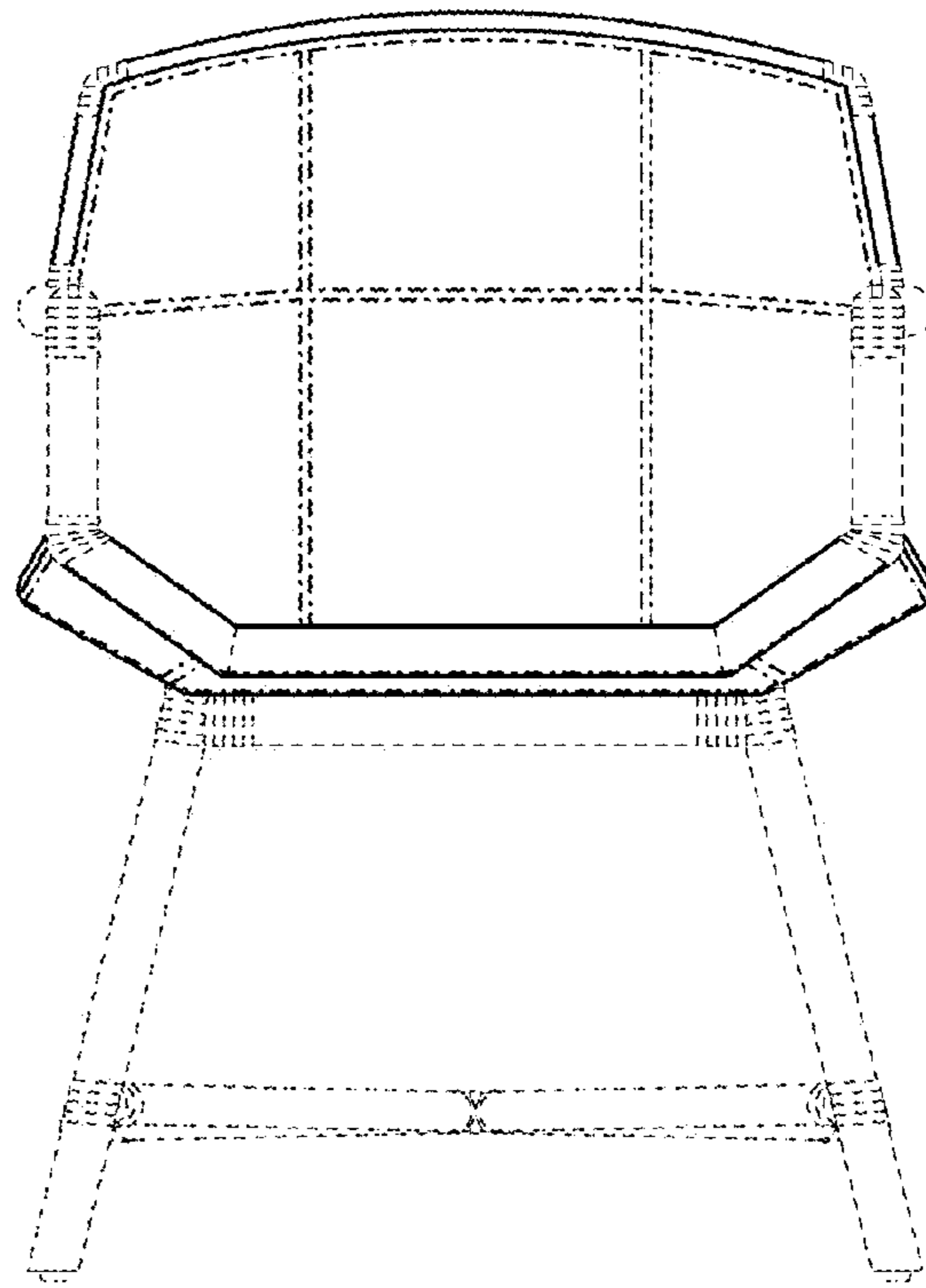


FIG. 2

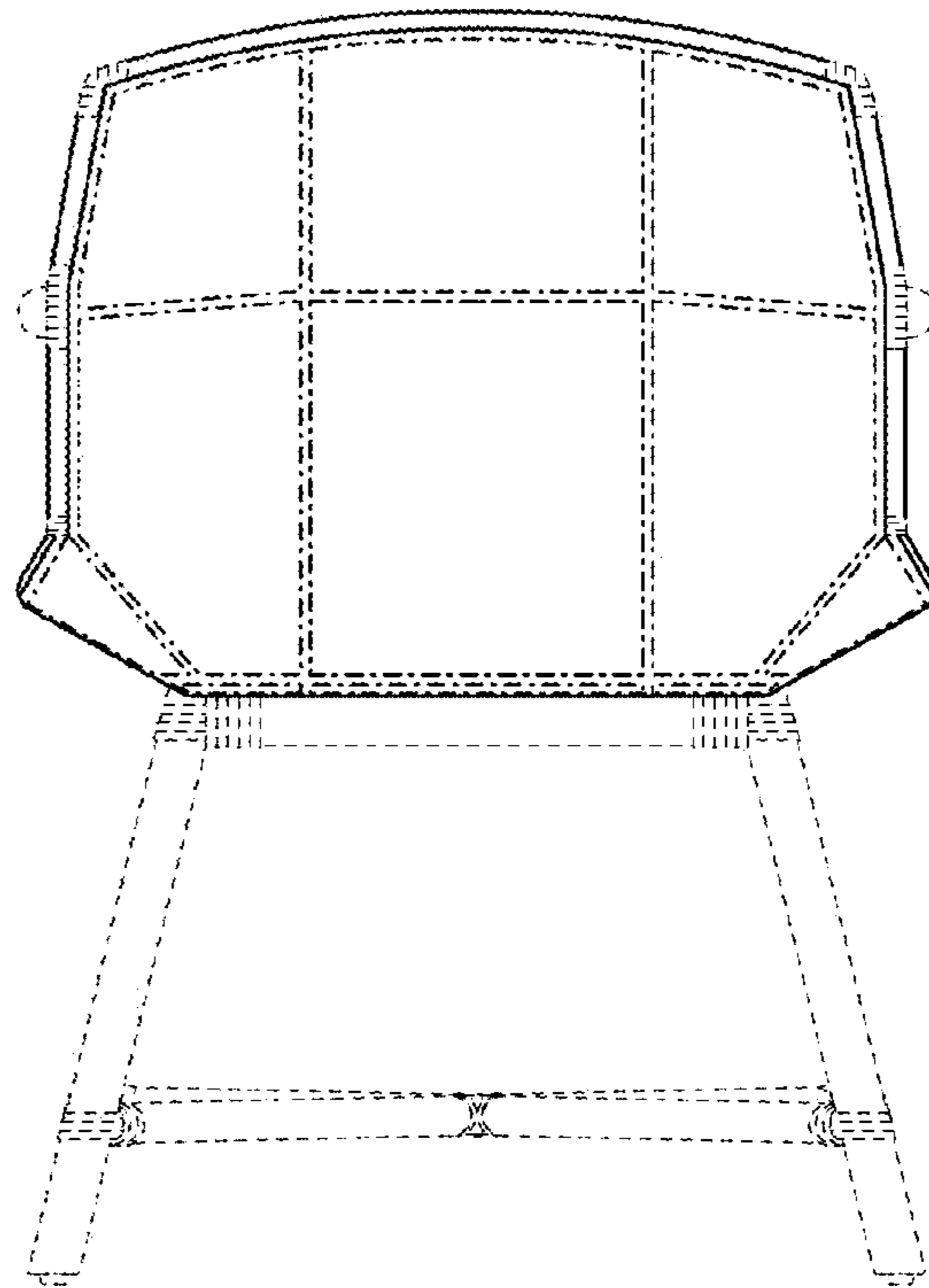


FIG. 3

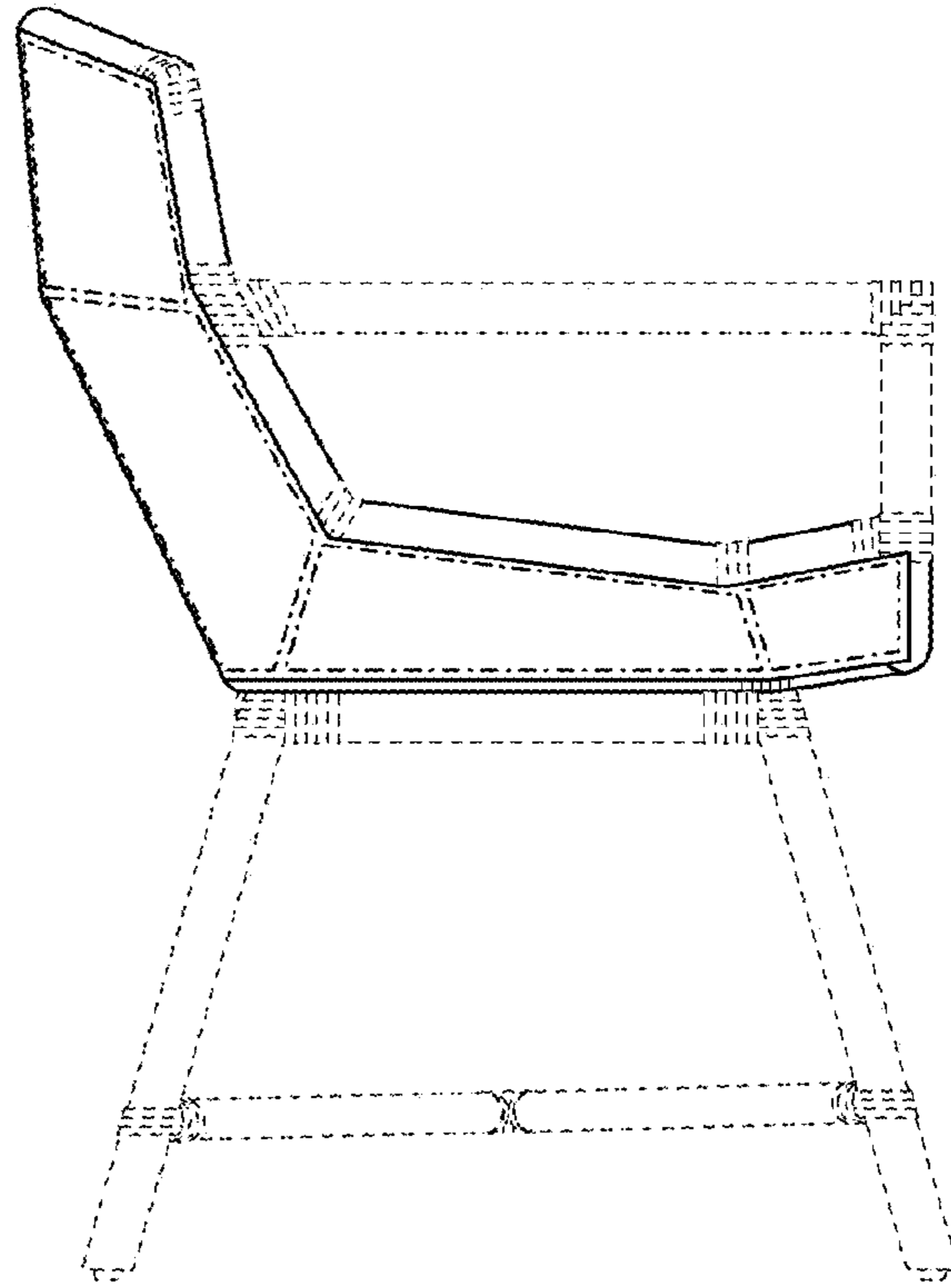


FIG. 4

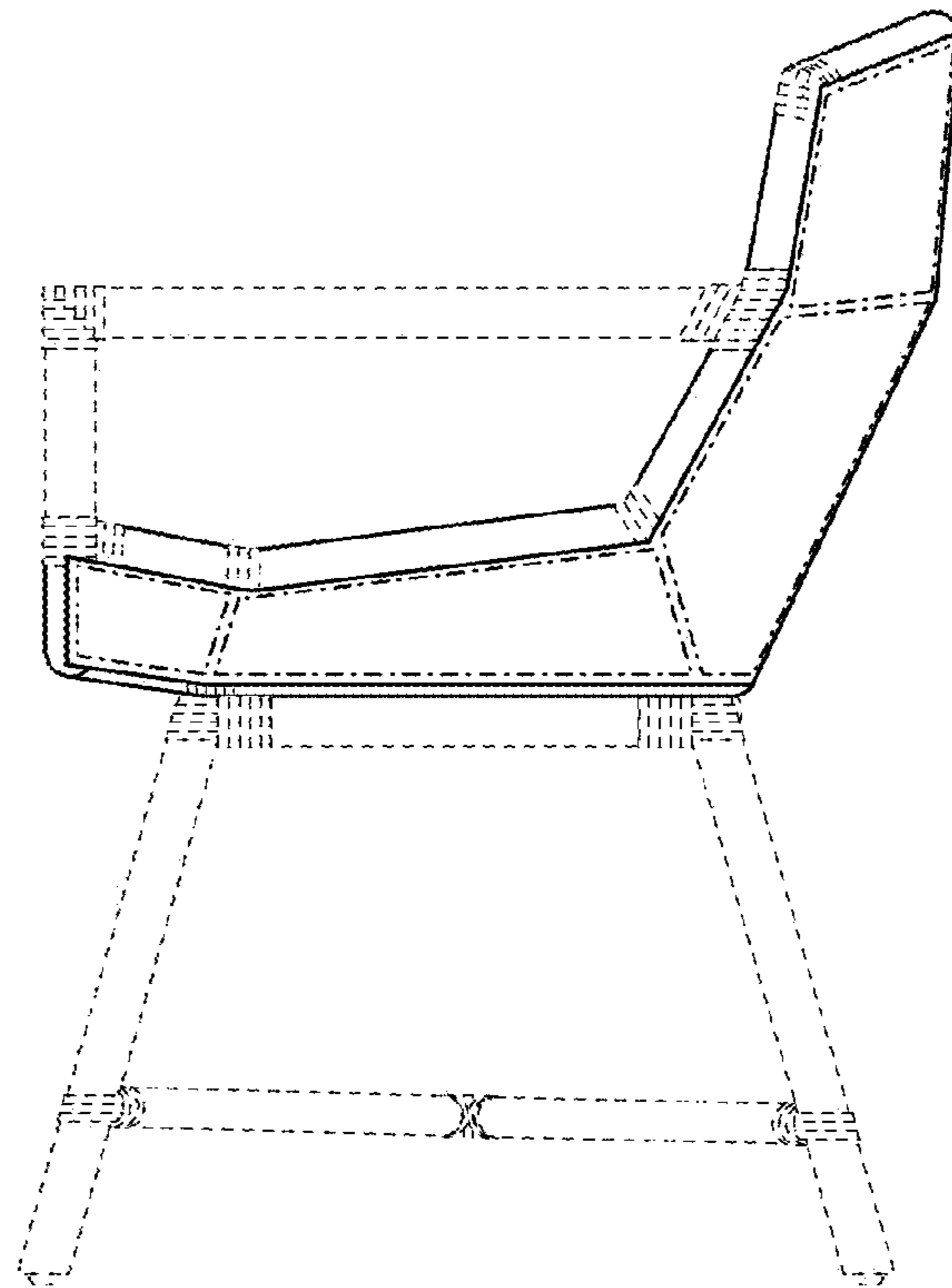


FIG. 5

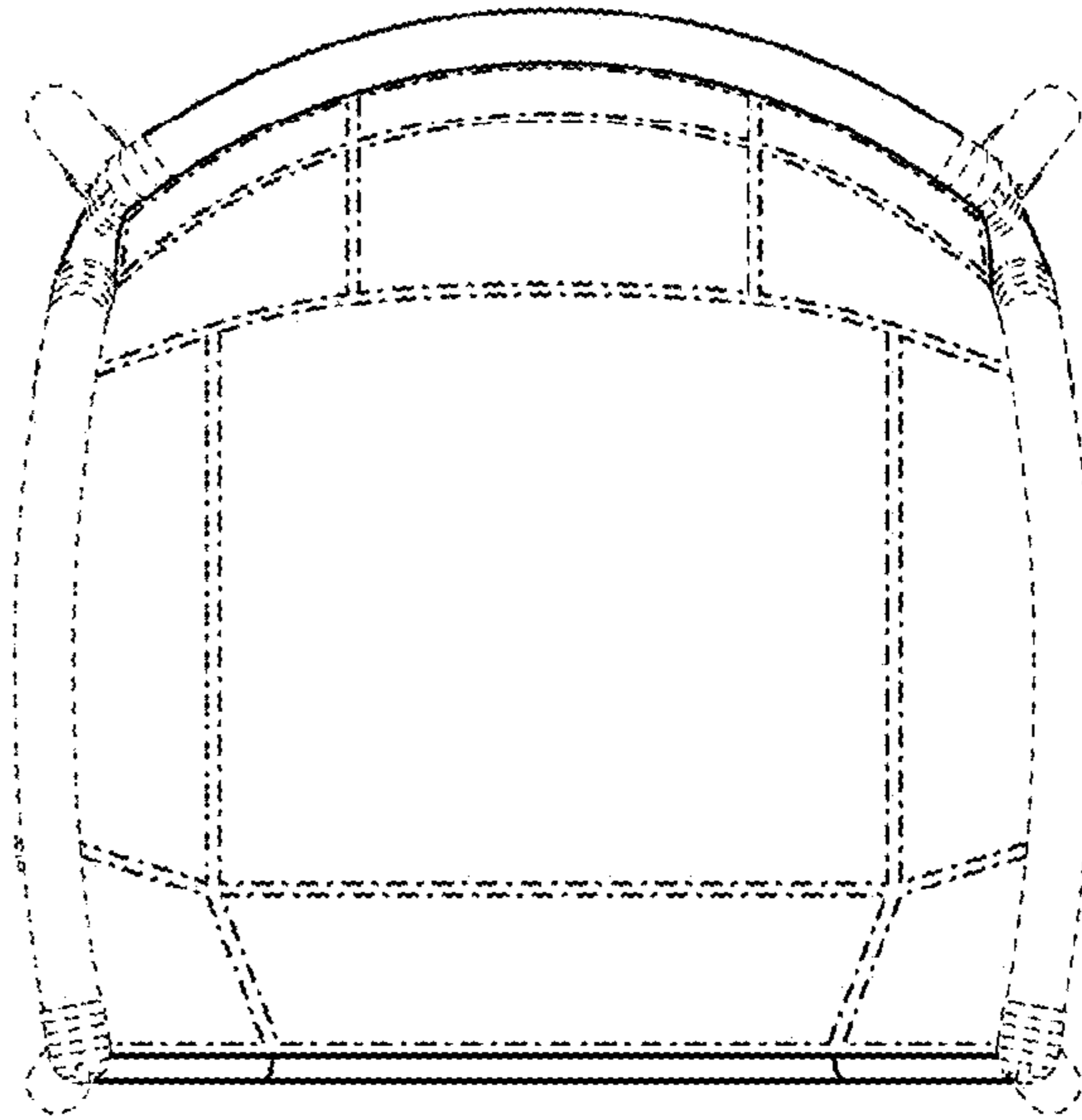


FIG. 6

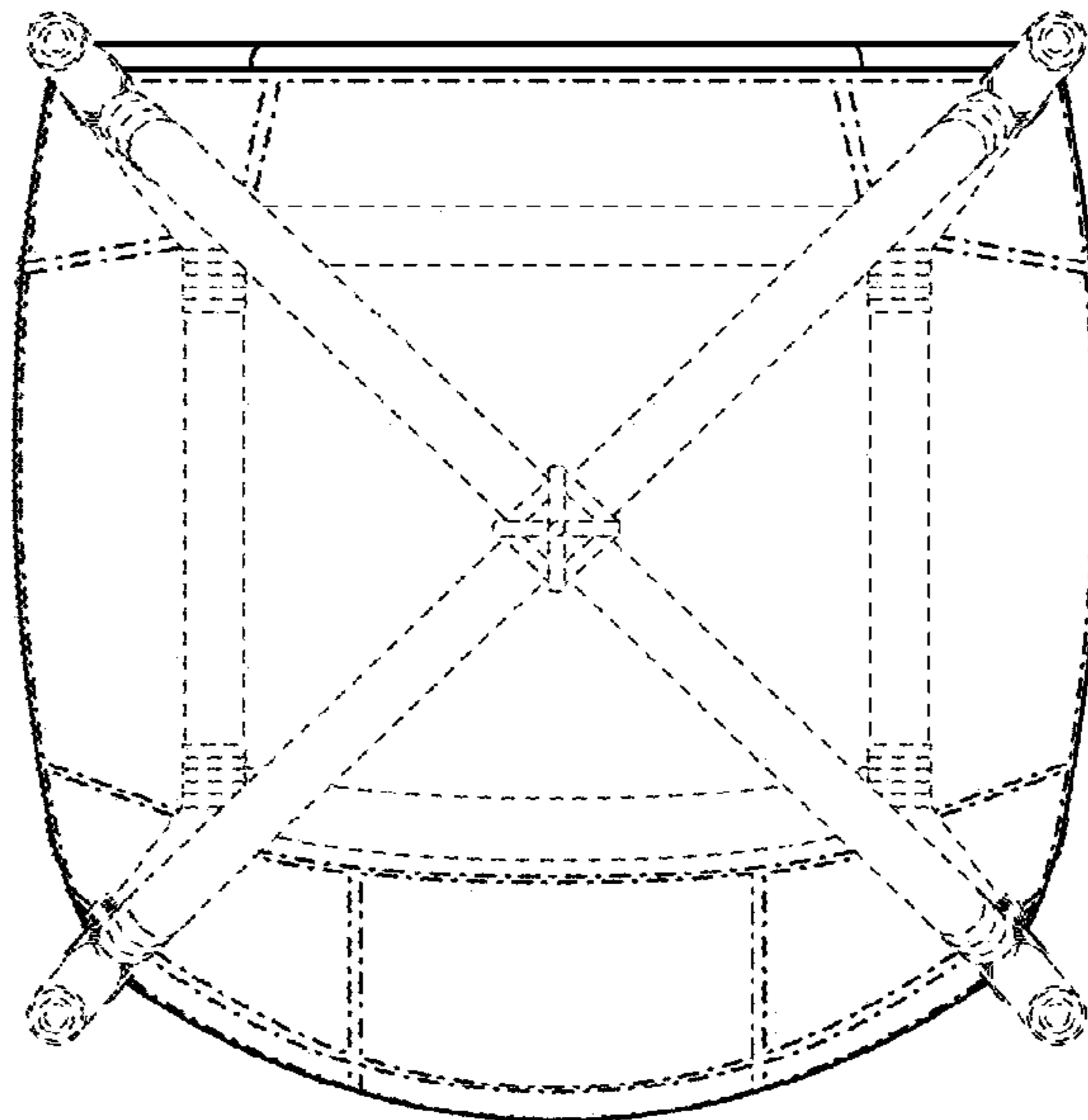


FIG. 7



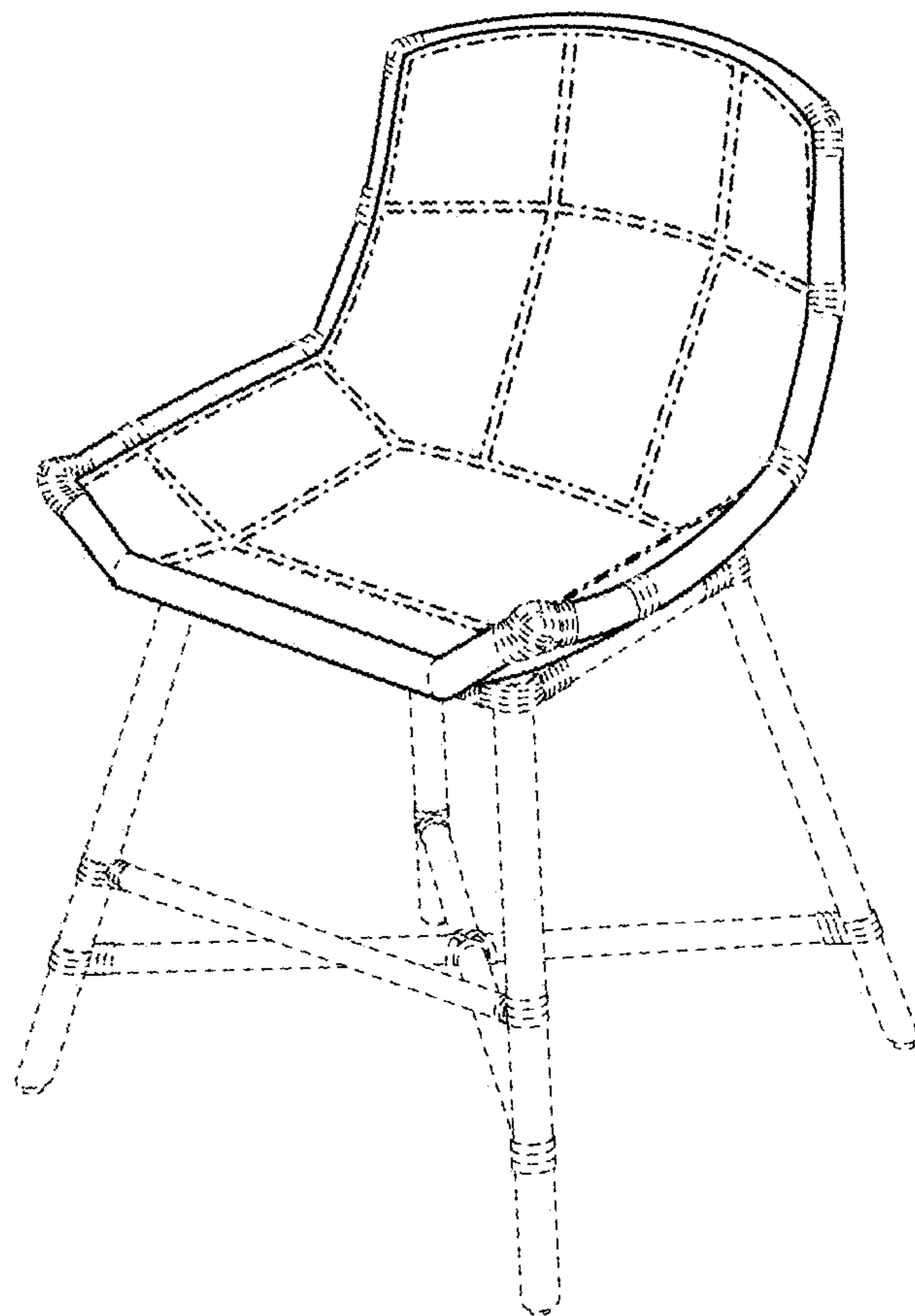


FIG. 8

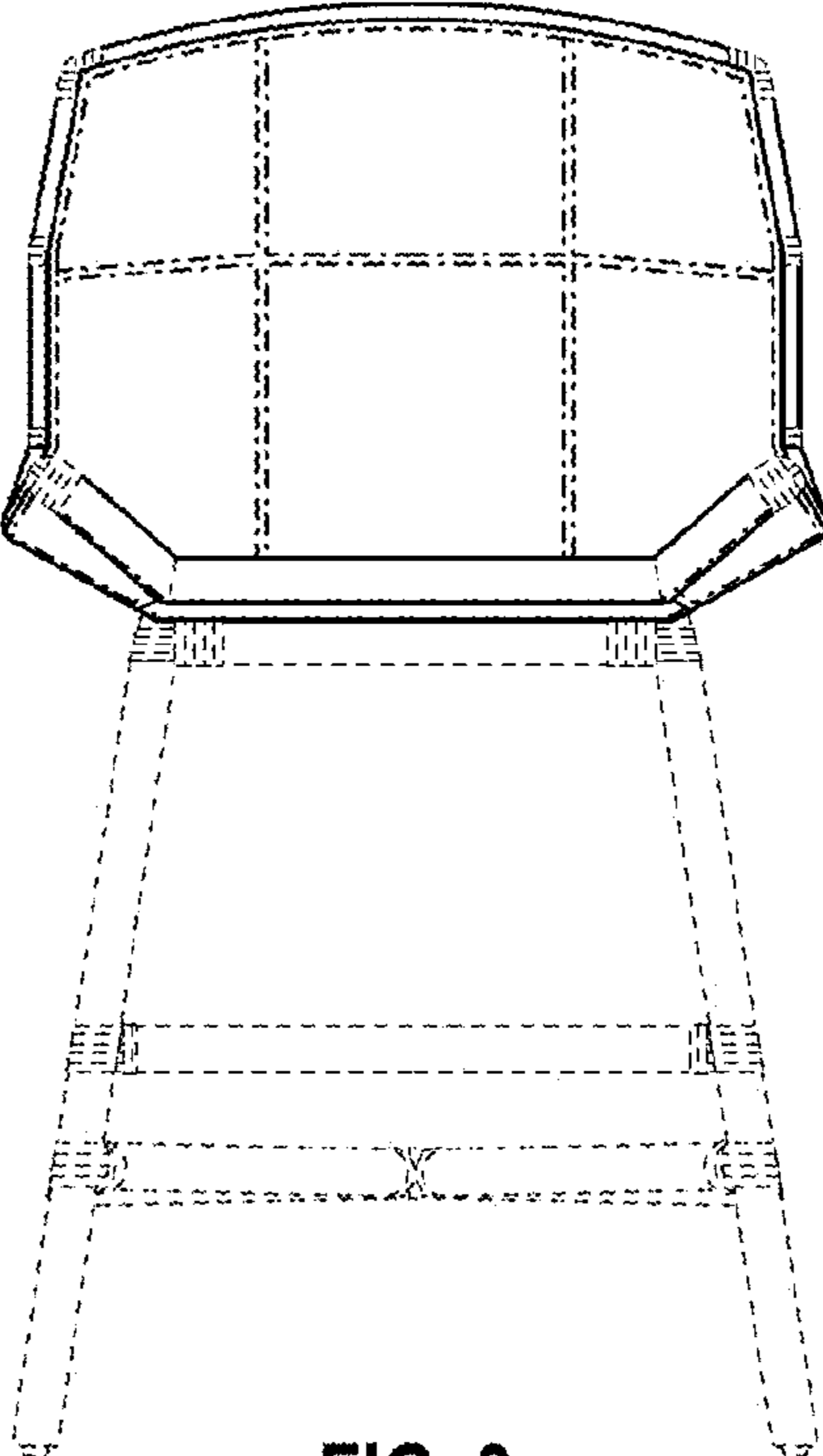


FIG. 9

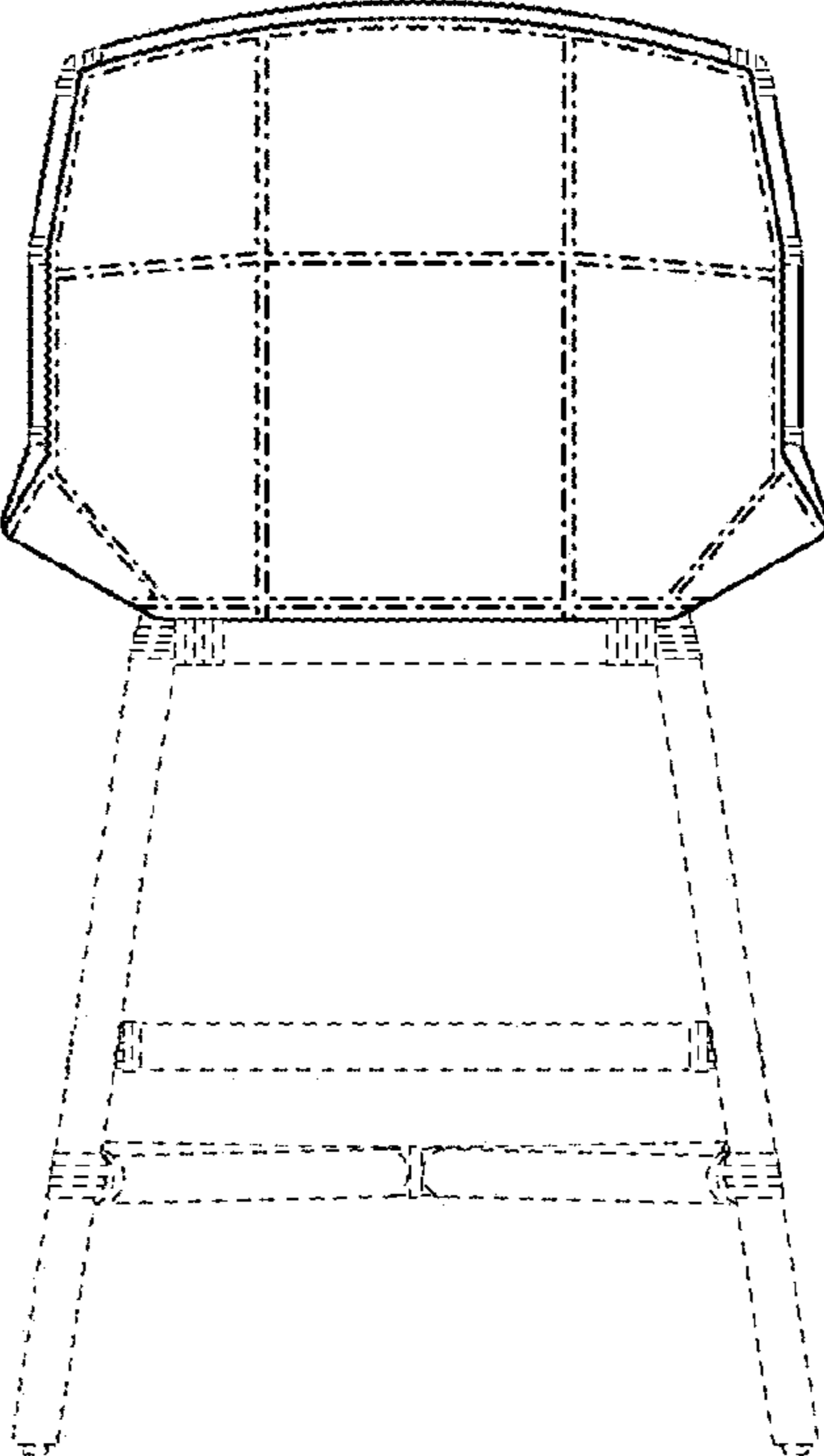


FIG. 10

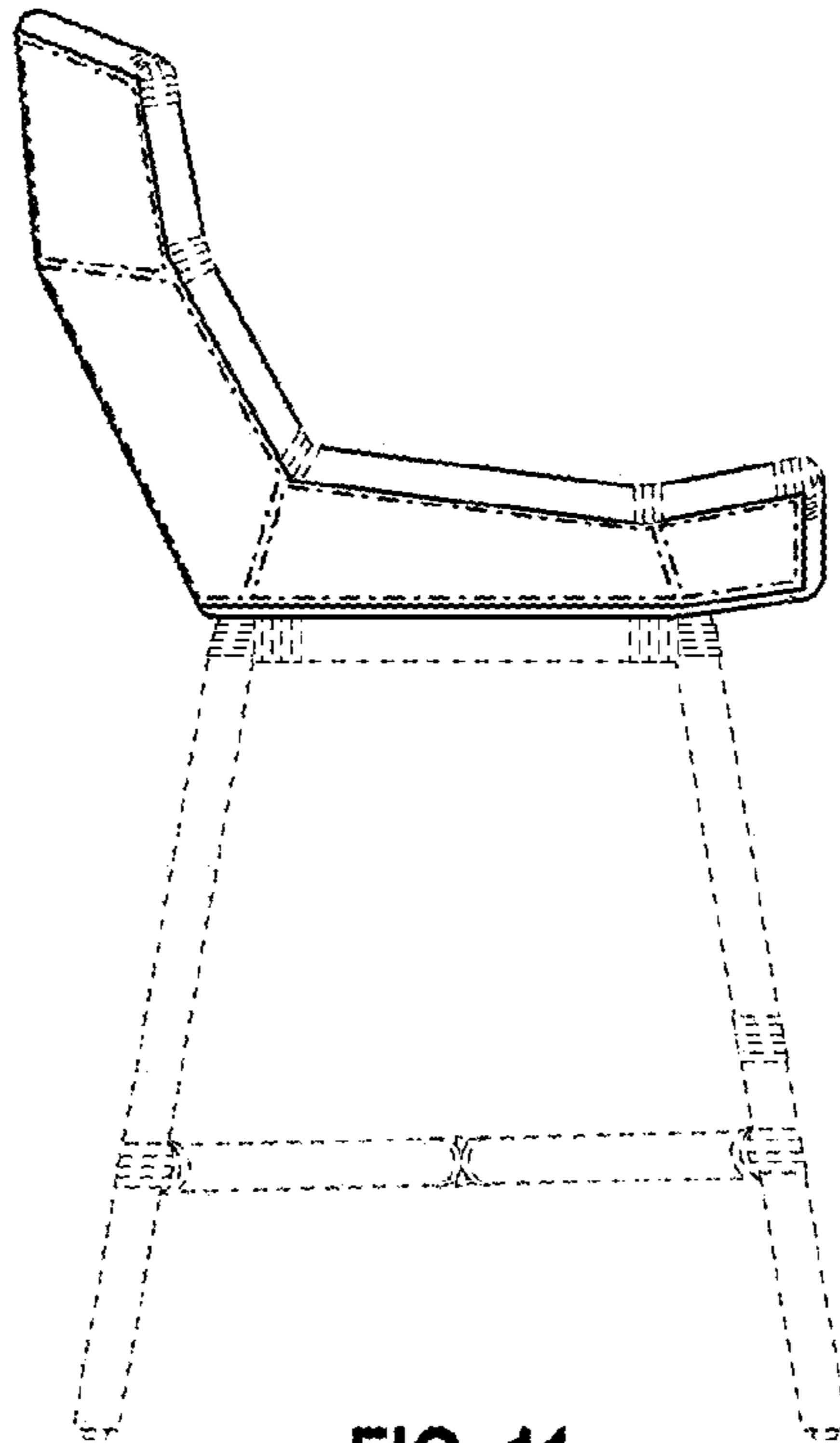


FIG. 11

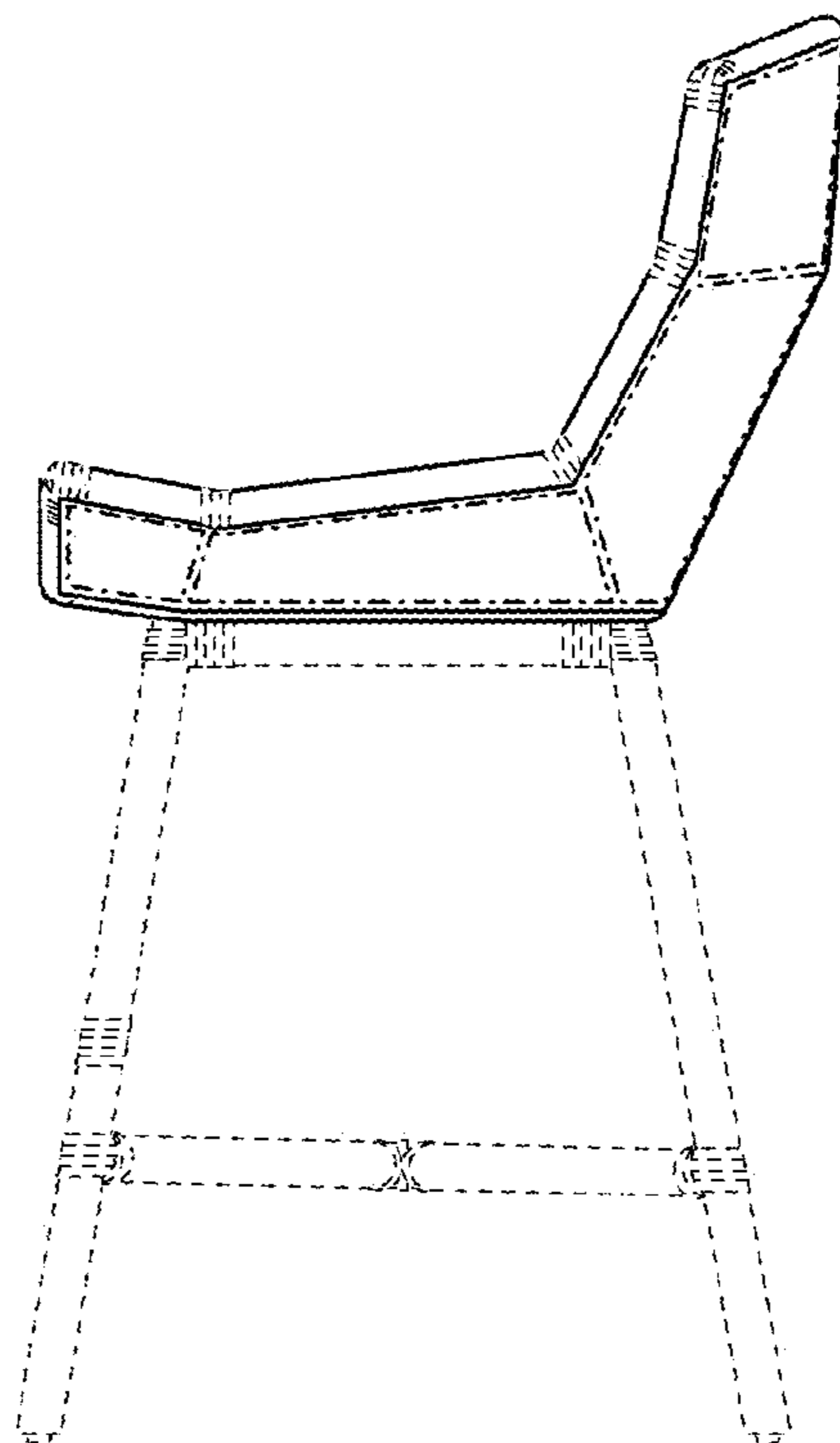


FIG. 12



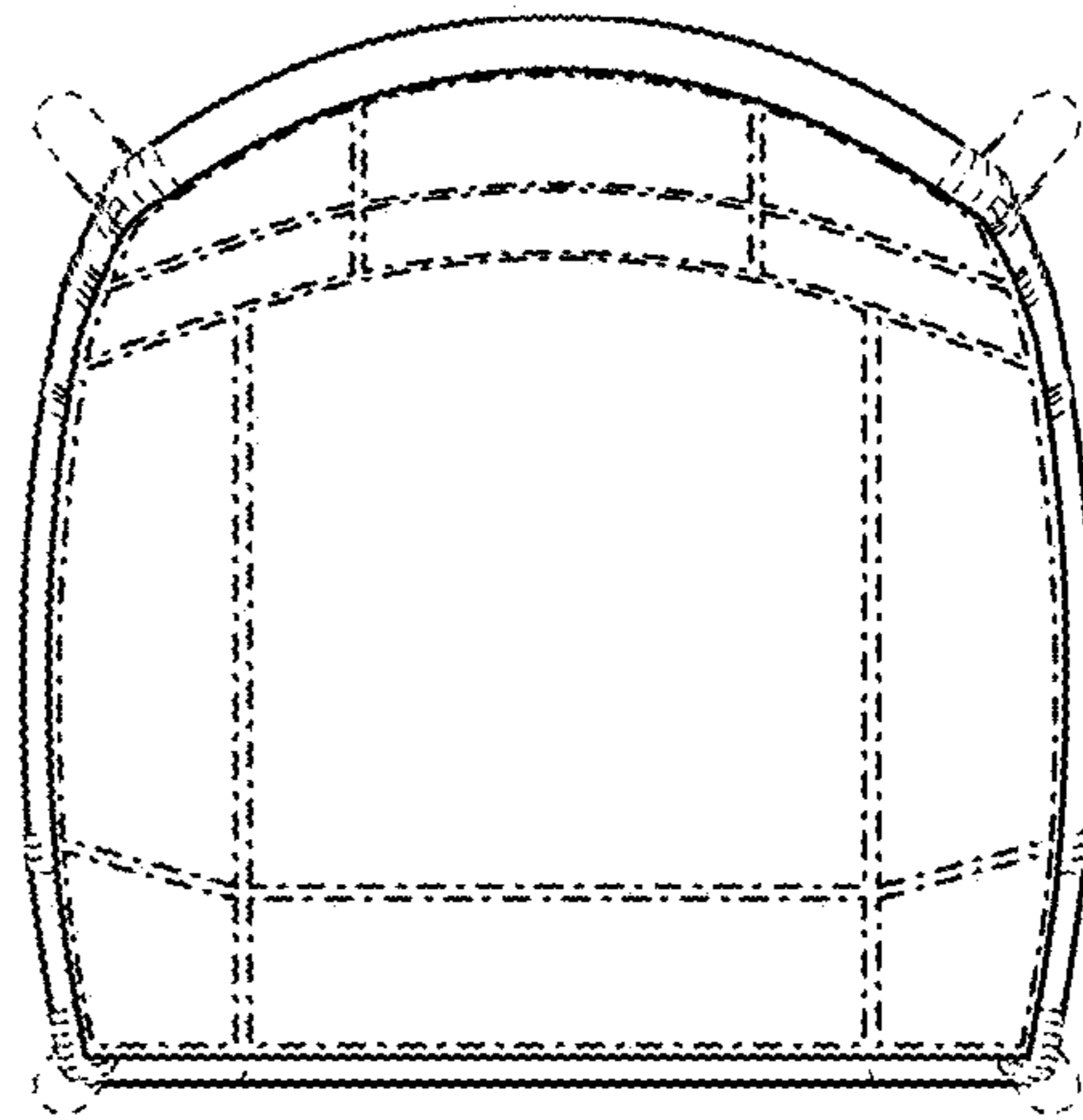


FIG. 13

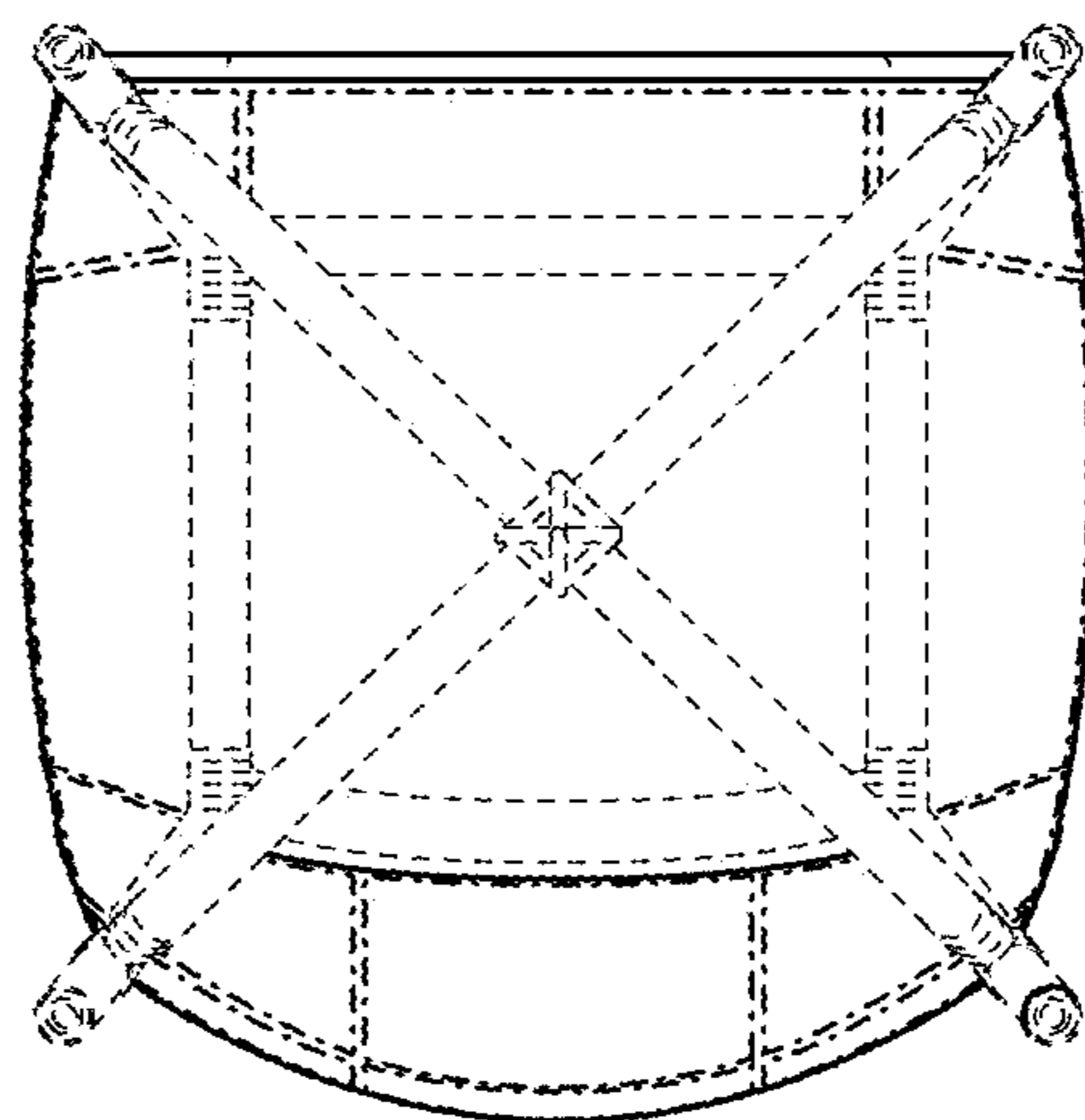


FIG. 14