



US00D766636S

(12) **United States Design Patent**
Putnam

(10) **Patent No.:** **US D766,636 S**
(45) **Date of Patent:** **** Sep. 20, 2016**

(54) **FURNITURE LEG**

Primary Examiner — Sandra Snapp

(71) Applicant: **INTEGRA, INC.**, Walworth, WI (US)

(72) Inventor: **Monroe Putnam**, Delavan, WI (US)

(73) Assignee: **Integra, Inc.**, Walworth, WI (US)

(**) Term: **14 Years**

(21) Appl. No.: **29/509,380**

(22) Filed: **Nov. 17, 2014**

Related U.S. Application Data

(62) Division of application No. 29/447,603, filed on Mar. 5, 2013, now Pat. No. Des. 723,847.

(51) **LOC (10) Cl.** **06-01**

(52) **U.S. Cl.**
USPC **D6/709**

(58) **Field of Classification Search**
USPC D6/334, 335, 336, 379, 381, 369, 364,
D6/365, 366, 708.22, 708.23, 708.24, 709,
D6/710; 297/94, 118, 232, 445.1, 448.1,
297/DIG. 7

CPC A47C 17/00; A47C 17/02; A47C 17/12;
A47C 17/18; A47C 7/021; A47C 31/00;
A47C 3/16

See application file for complete search history.

(56) **References Cited**

U.S. PATENT DOCUMENTS

513,170 A 1/1894 Armstrong
2,059,420 A * 11/1936 Ward, Jr. B60B 33/021
16/33

(Continued)

OTHER PUBLICATIONS

Webb by Burkhard Vogtherr, www.archiexpo.com, dated Jan. 13, 2012.

(Continued)

(57) **CLAIM**

The ornamental design for furniture leg, as shown and described.

DESCRIPTION

FIG. 1 is a perspective view of a first embodiment of the furniture leg;

FIG. 2 is a front elevation view;

FIG. 3 is a rear elevation view;

FIG. 4 is a right side elevation view;

FIG. 5 is a left side elevation view;

FIG. 6 is a bottom plan view thereof;

FIG. 7 is a top plan view thereof;

FIG. 8 is a perspective view of a second embodiment of the furniture leg;

FIG. 9 is a front elevation view;

FIG. 10 is a rear elevation view;

FIG. 11 is a right side elevation view;

FIG. 12 is a left side elevation view;

FIG. 13 is a bottom plan view thereof;

FIG. 14 is a top plan view thereof;

FIG. 15 is a perspective view of a third embodiment of the furniture leg;

FIG. 16 is a front elevation view;

FIG. 17 is a rear elevation view;

FIG. 18 is a right side elevation view;

FIG. 19 is a left side elevation view;

FIG. 20 is a bottom plan view thereof;

FIG. 21 is a top plan view thereof;

FIG. 22 is a perspective view of a fourth embodiment of the furniture leg;

FIG. 23 is a front elevation view;

FIG. 24 is a rear elevation view;

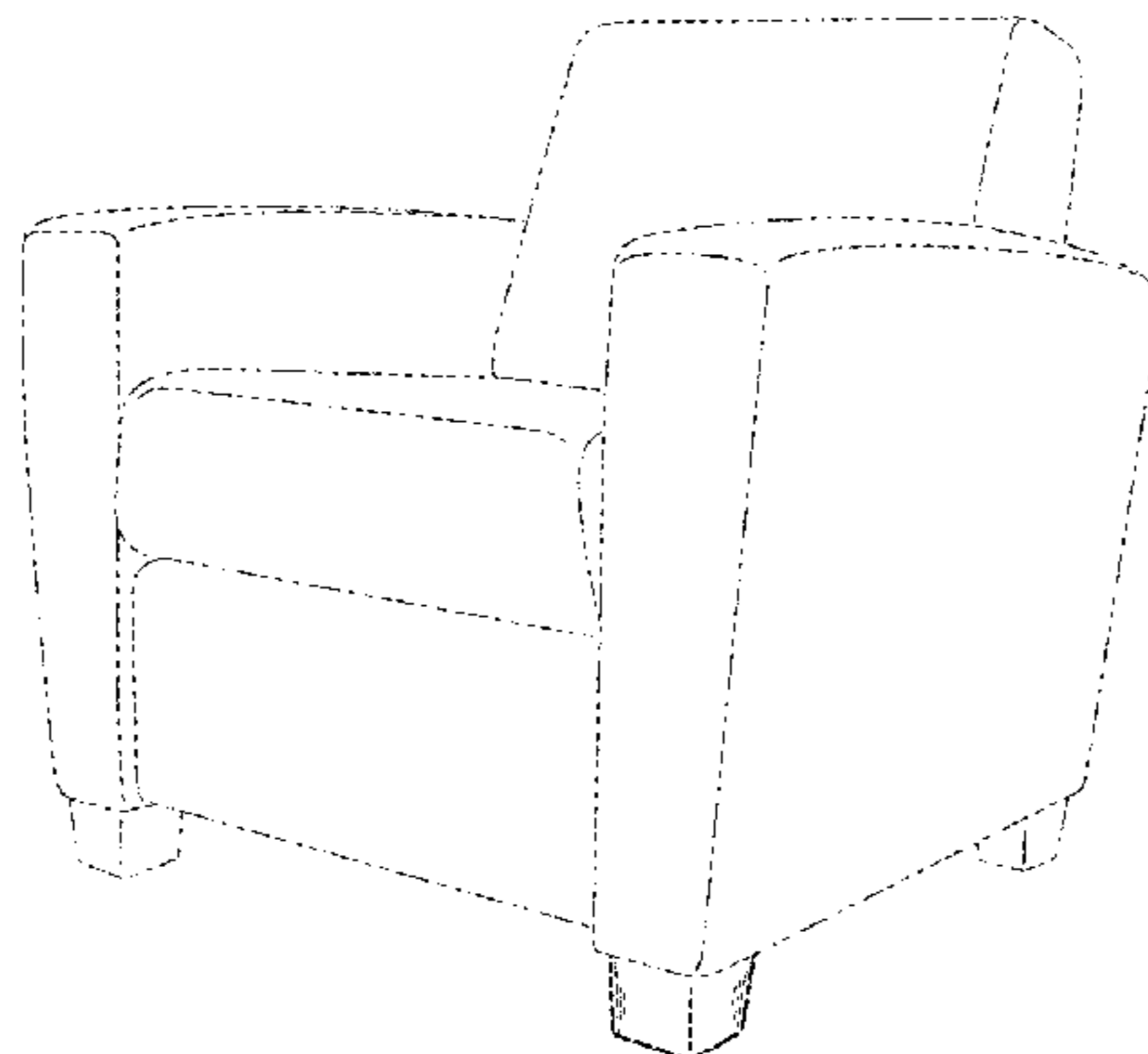
FIG. 25 is a right side elevation view;

FIG. 26 is a left side elevation view;

FIG. 27 is a bottom plan view thereof; and,

FIG. 28 is a top plan view thereof.

1 Claim, 8 Drawing Sheets



(56)

References Cited

U.S. PATENT DOCUMENTS

3,349,425 A * 10/1967 Reabelos A47B 91/04
16/44
3,801,122 A 4/1974 Shoemaker et al.
3,848,924 A 11/1974 Shoemaker et al.
4,212,495 A 7/1980 Gall
4,679,509 A 7/1987 Sampson, Jr.
4,839,938 A 6/1989 Coggin et al.
5,335,972 A 8/1994 Jensen
D391,841 S * 3/1998 Loescher D8/375
5,749,121 A 5/1998 Loescher
D433,825 S 11/2000 Piretti
D451,296 S * 12/2001 Stewart D6/370
D451,690 S * 12/2001 Adamovich D6/349
6,352,302 B1 3/2002 Piretti, Jr.
6,473,935 B1 * 11/2002 Cherukuri B60B 33/0005
16/33
D471,791 S * 3/2003 Bosman D8/375
6,594,856 B1 * 7/2003 Cherukuri B60B 33/0005
16/32
D486,726 S 2/2004 Bushey
6,883,763 B2 4/2005 Bosman et al.
6,948,777 B2 9/2005 Marshall et al.
7,207,629 B2 4/2007 Goetz et al.

D547,090 S * 7/2007 Natuzzi D6/381
D551,463 S * 9/2007 Natuzzi D6/381
D552,370 S * 10/2007 Ketcherside D6/381
D565,869 S * 4/2008 Williams D6/710
D592,878 S * 5/2009 Natuzzi D6/381
D592,884 S * 5/2009 Natuzzi D6/381
D600,038 S * 9/2009 Natuzzi D6/381
D618,929 S * 7/2010 Yeong D6/381
7,810,769 B2 10/2010 Williams
D720,151 S * 12/2014 Sonmez D6/381
D720,945 S * 1/2015 Sonmez D6/334
D723,847 S * 3/2015 Putnam D6/709
2005/0060840 A1 3/2005 Polevoy et al.
2007/0074372 A1 4/2007 Polevoy et al.
2008/0042023 A1 2/2008 Williams
2008/0197586 A1 8/2008 Chen

OTHER PUBLICATIONS

Archiexpo Website, Commercial armchair with casters—
Loewenstein Evolution 491, dated Jan. 13, 2012.
Archiexpo Website, Commercial armchair with casters—Diwar
Flex SS190010, dated Jan. 13, 2012.
Product webpage for Celeste Seating, www.hermanmiller.com,
dated Jan. 13, 2012.

* cited by examiner

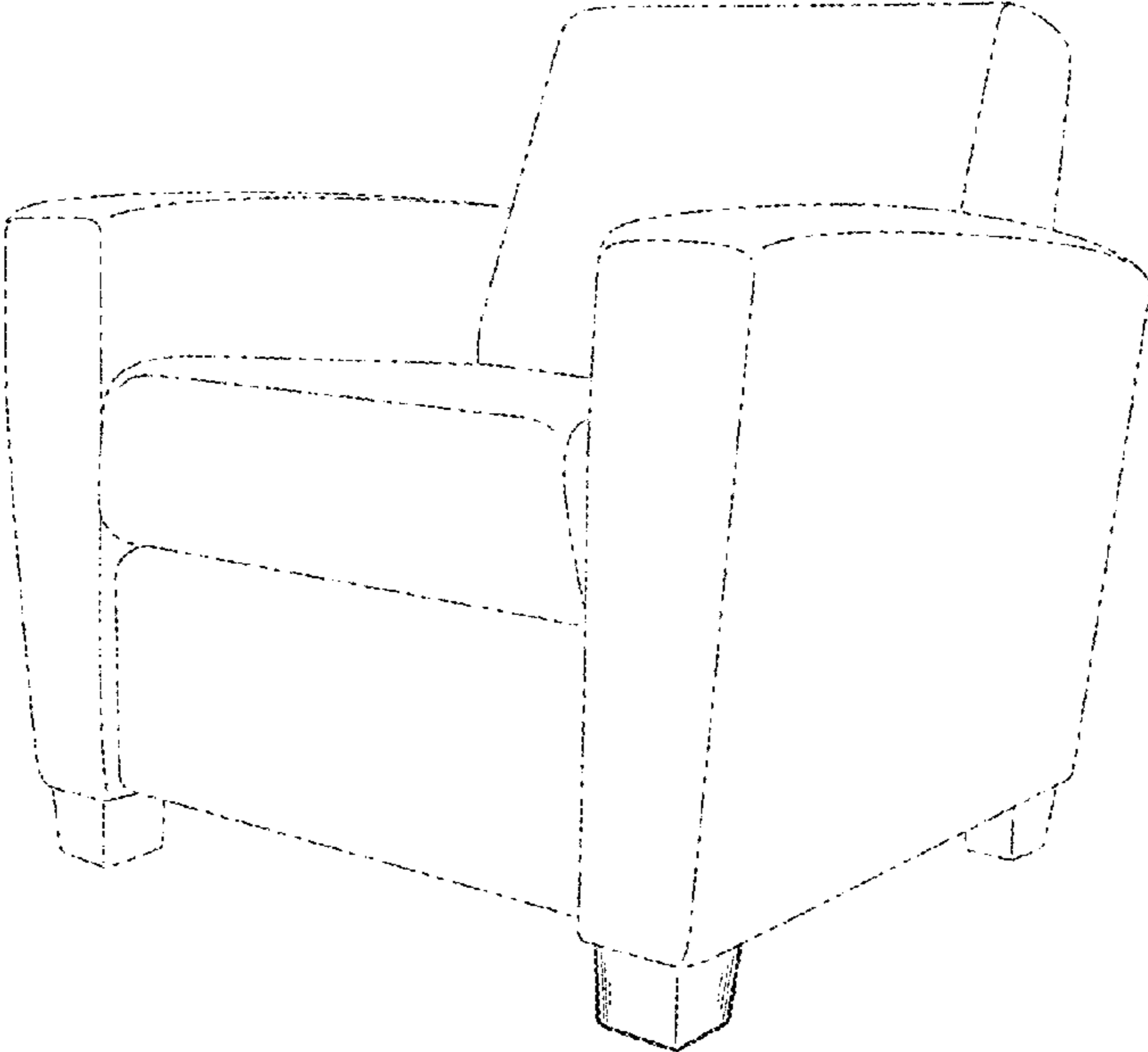


Fig. 1

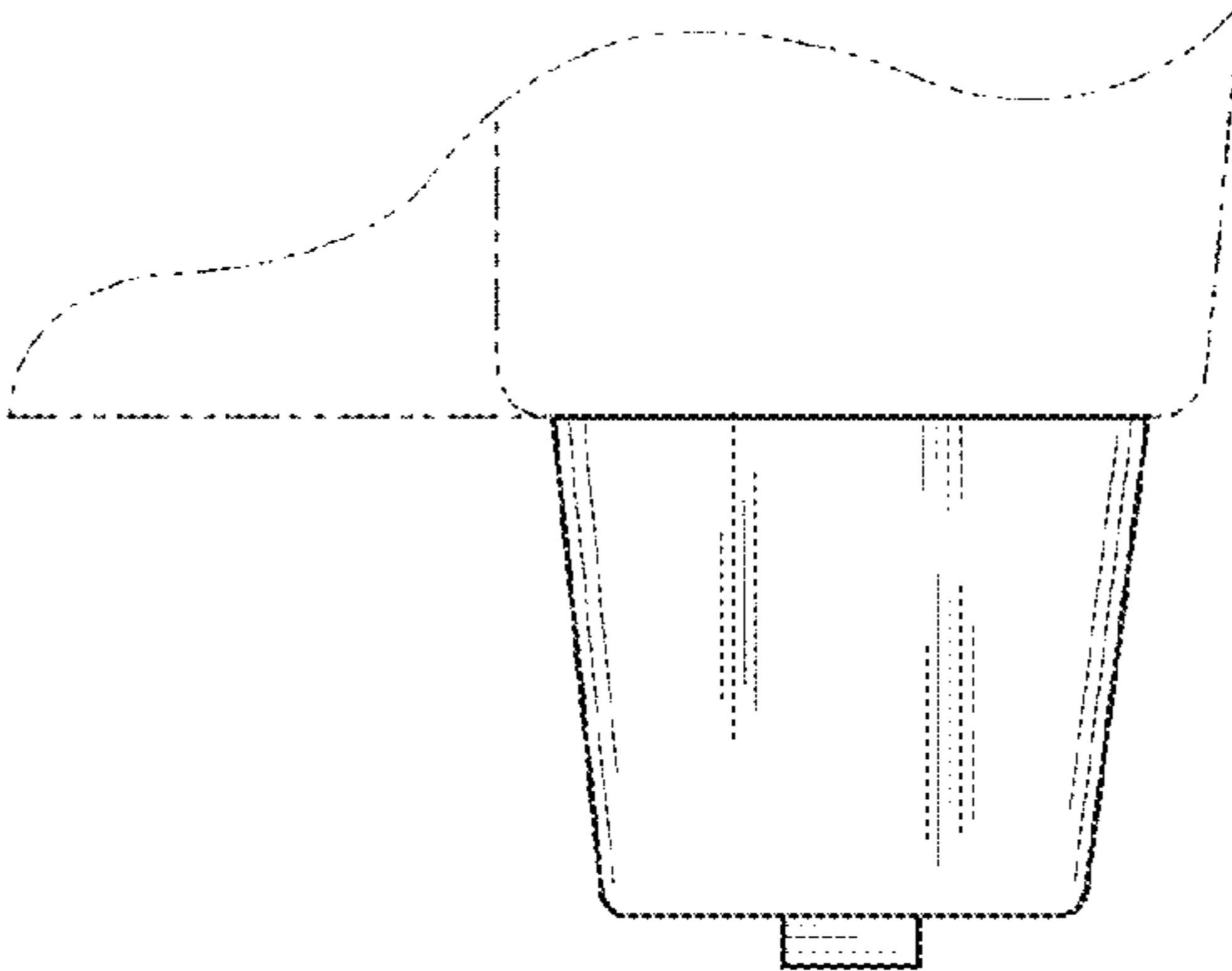


Fig. 2

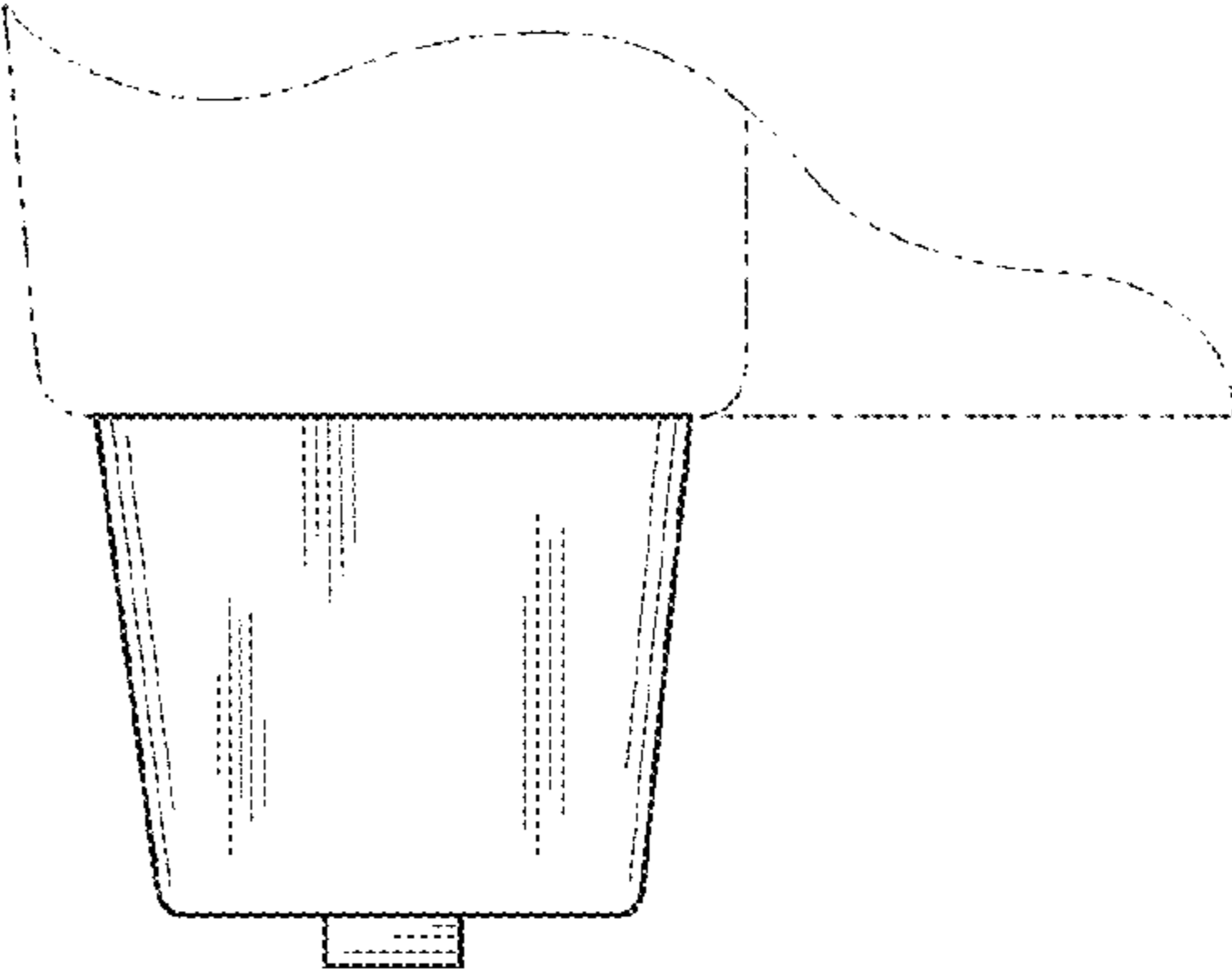


Fig. 3

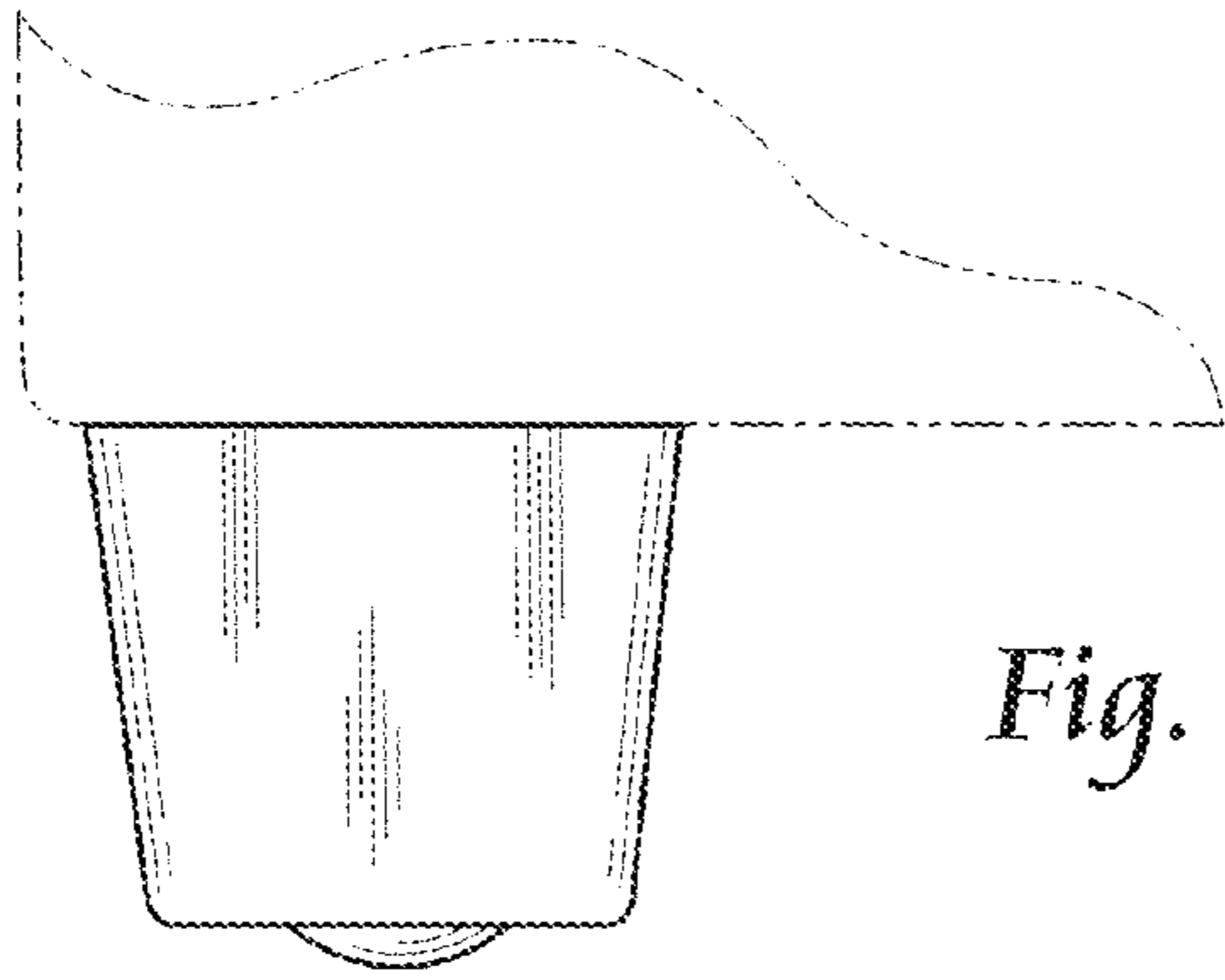


Fig. 4

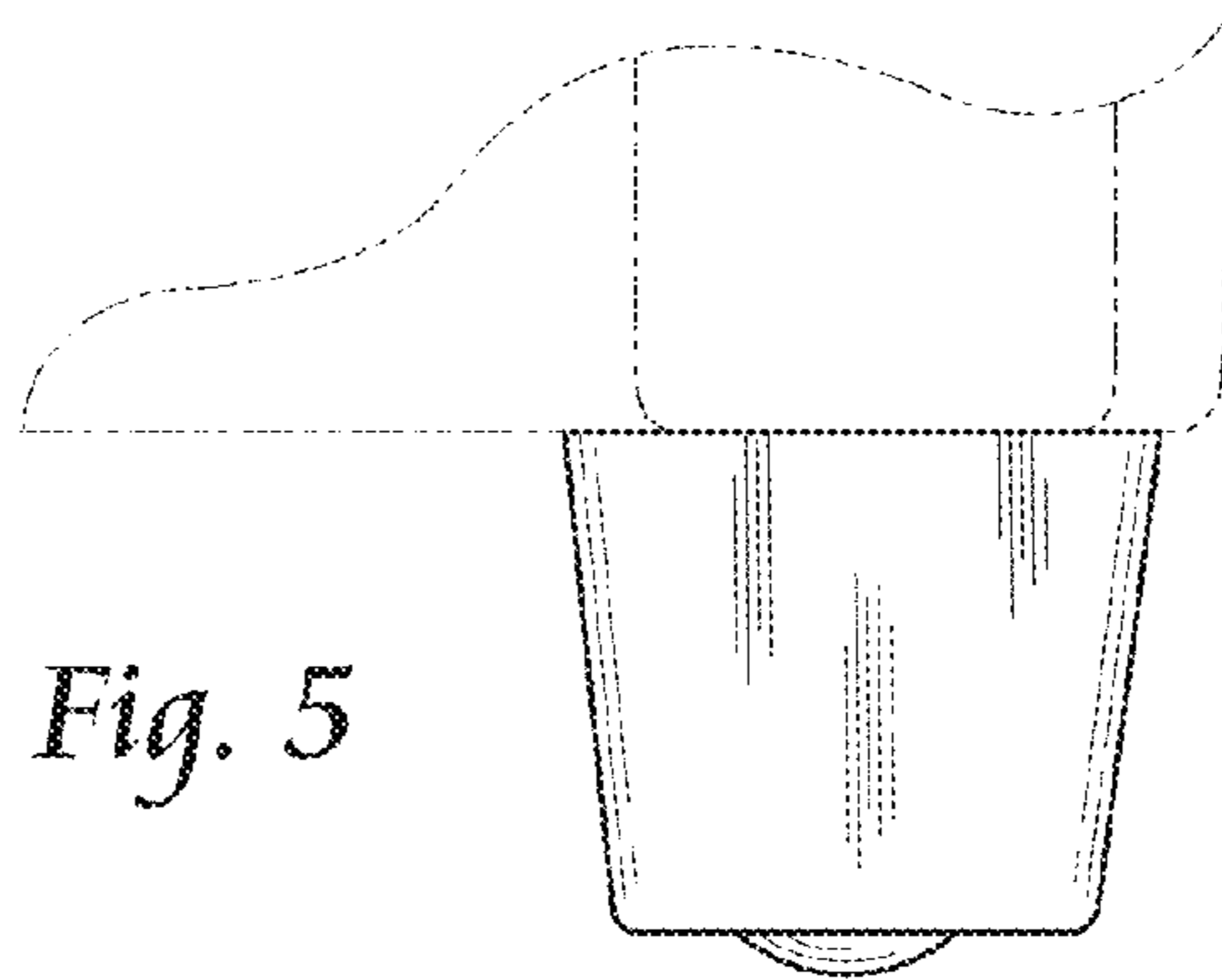


Fig. 5

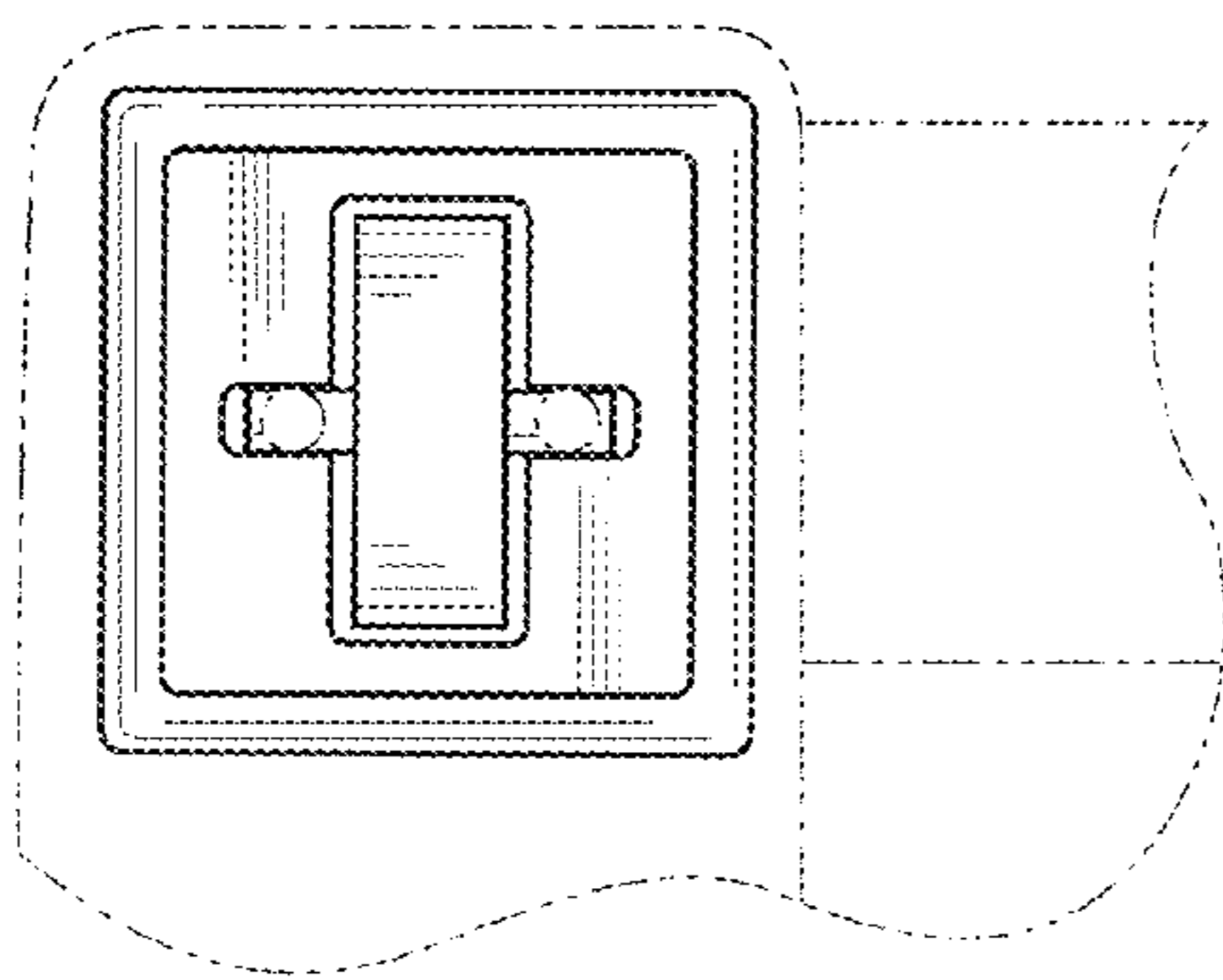
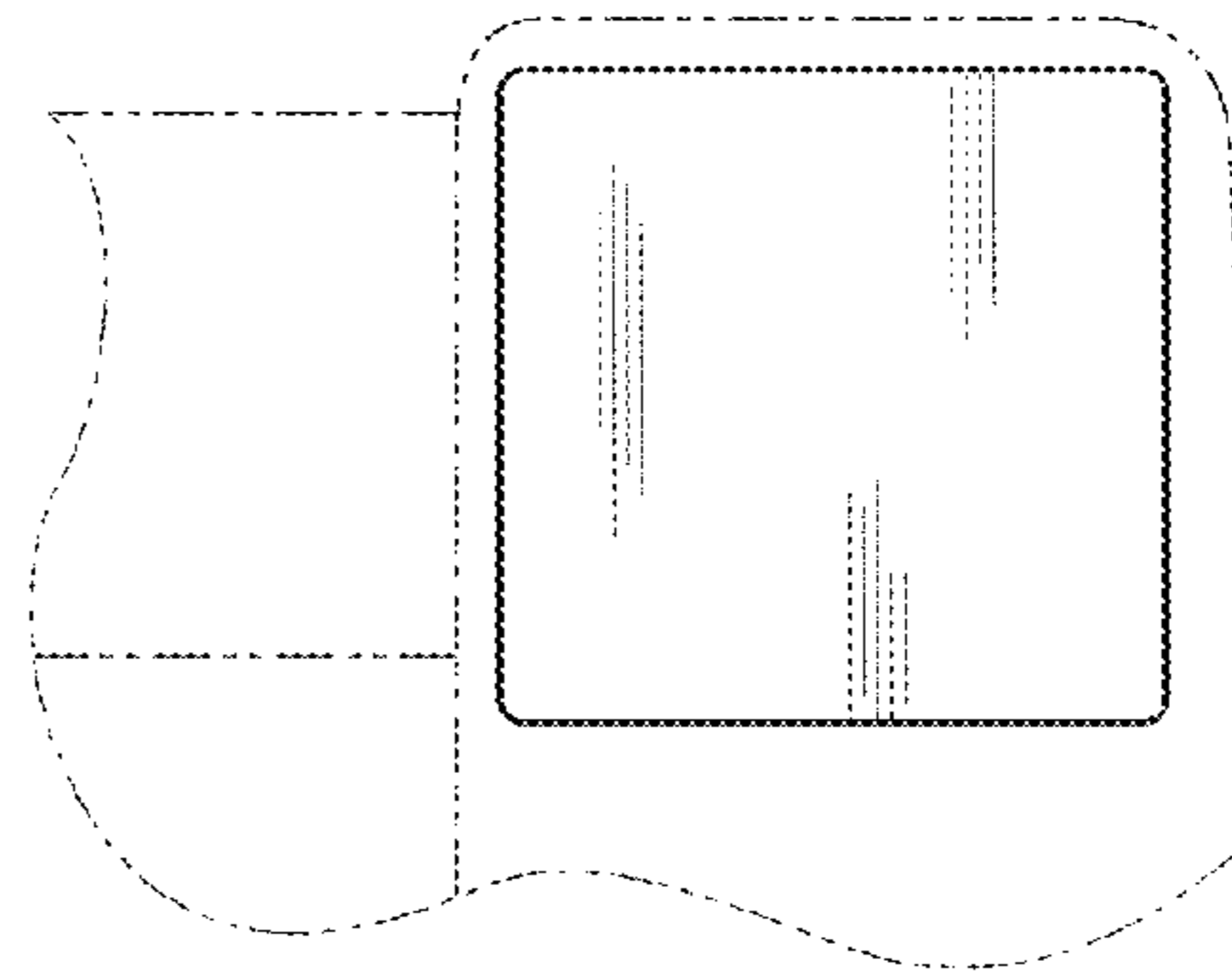


Fig. 6

Fig. 7



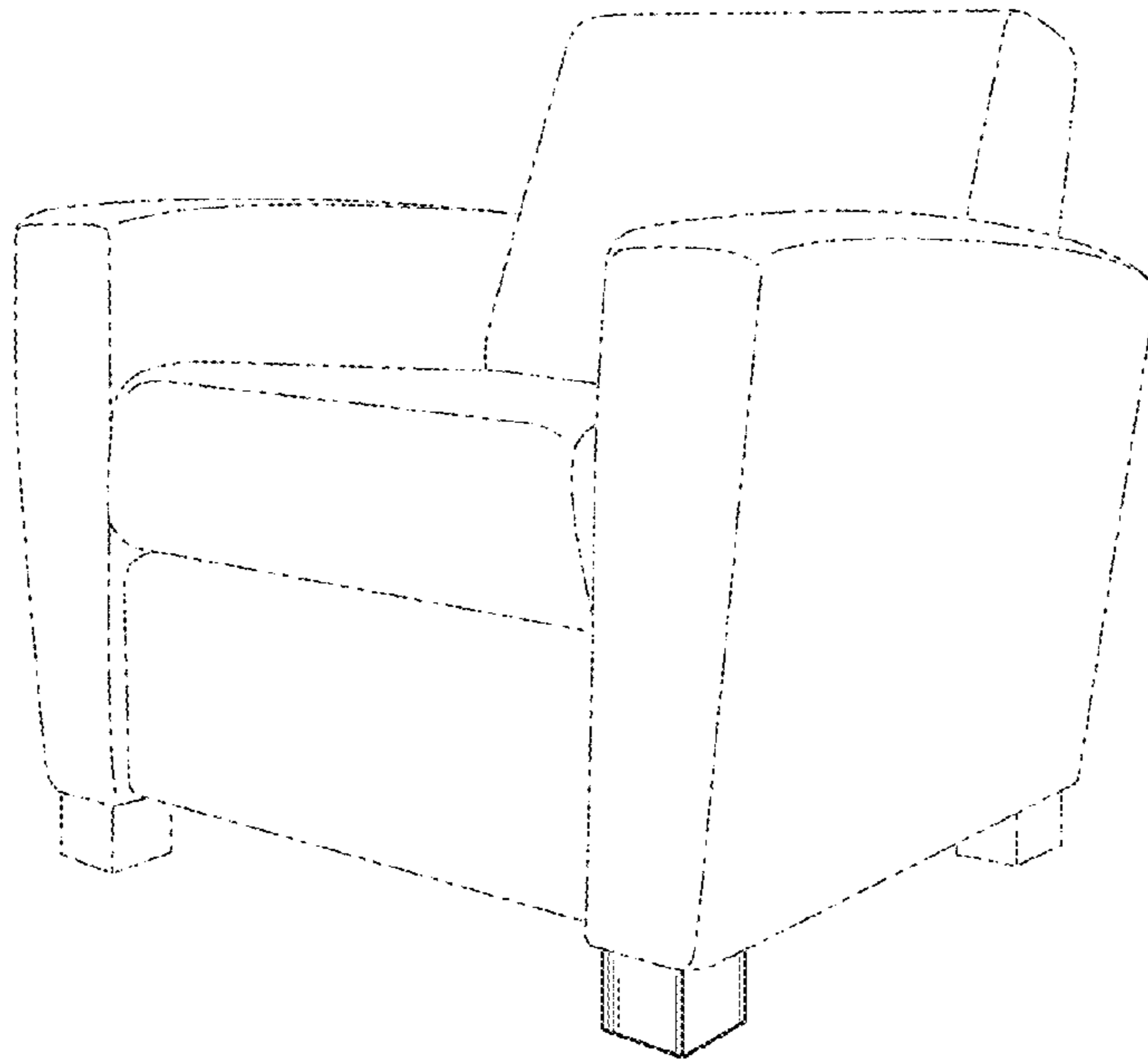


Fig. 8

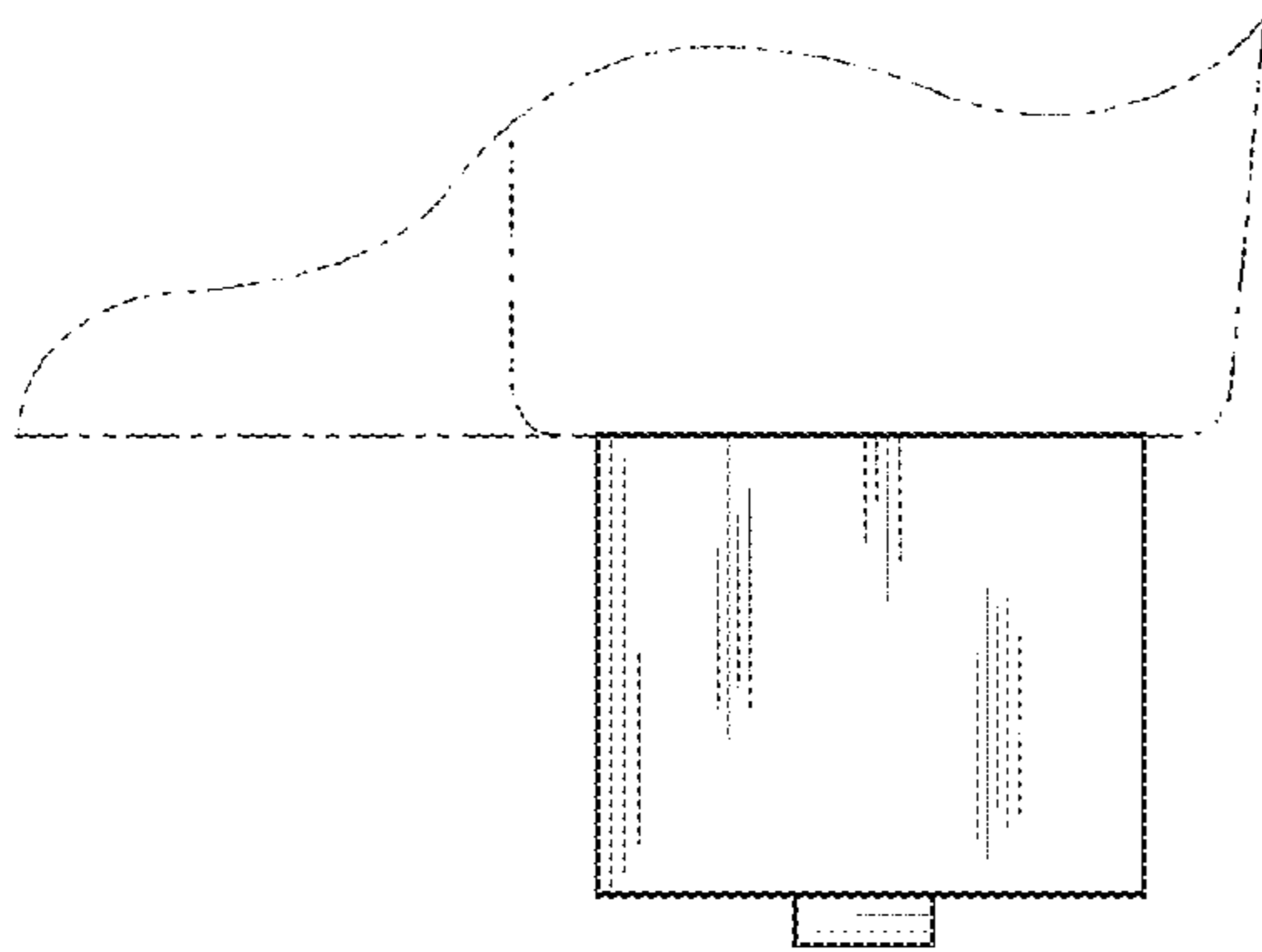


Fig. 9

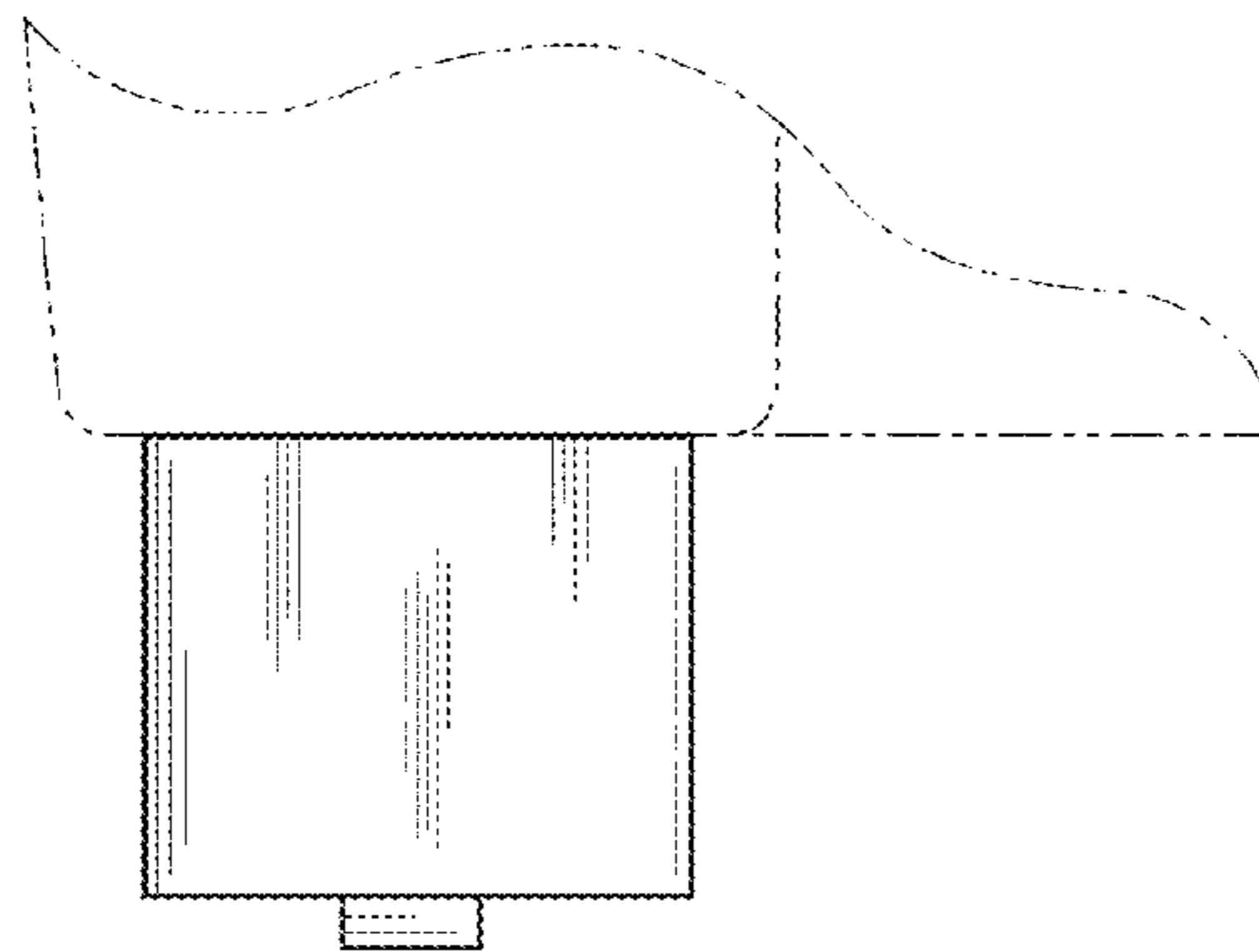


Fig. 10

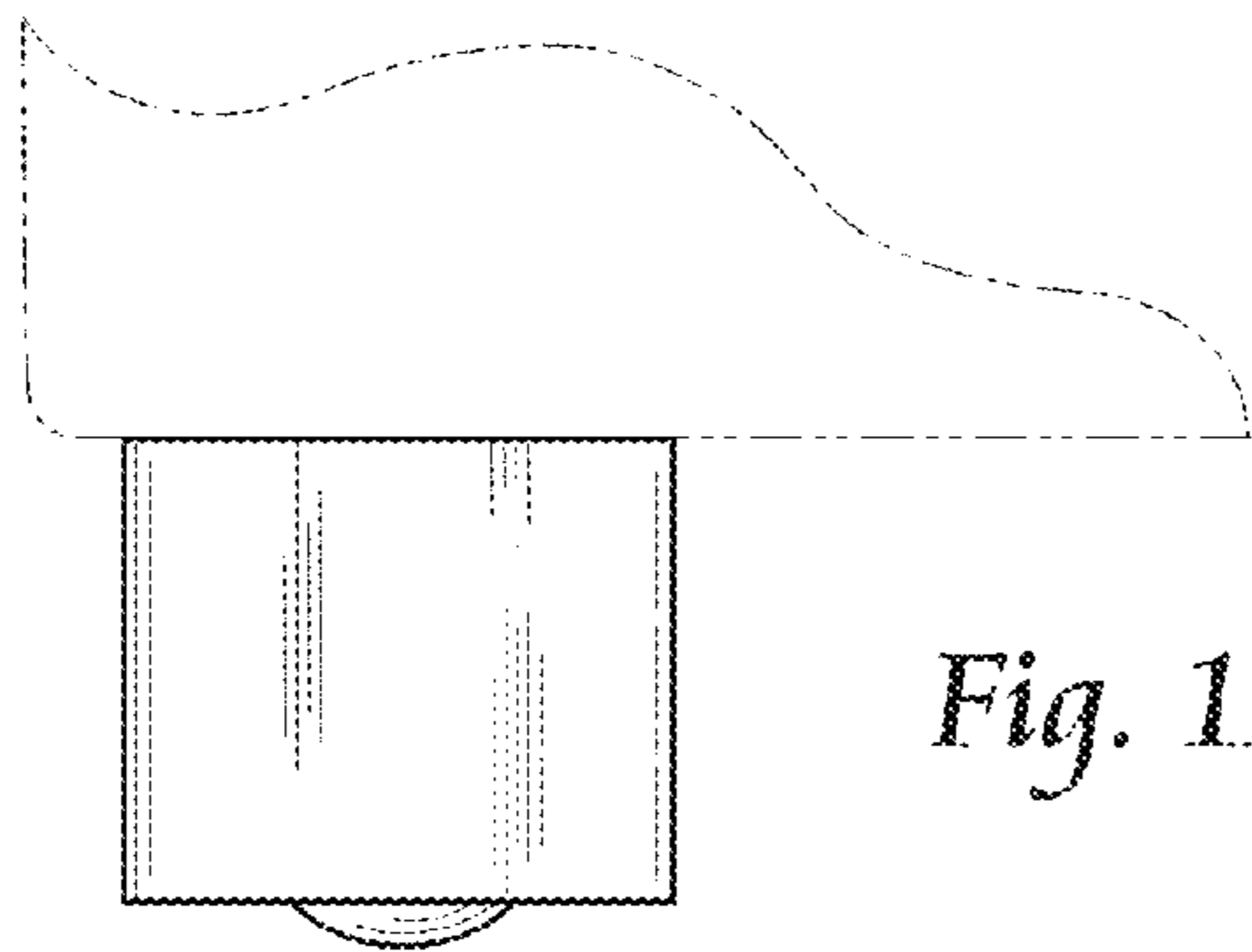


Fig. 11

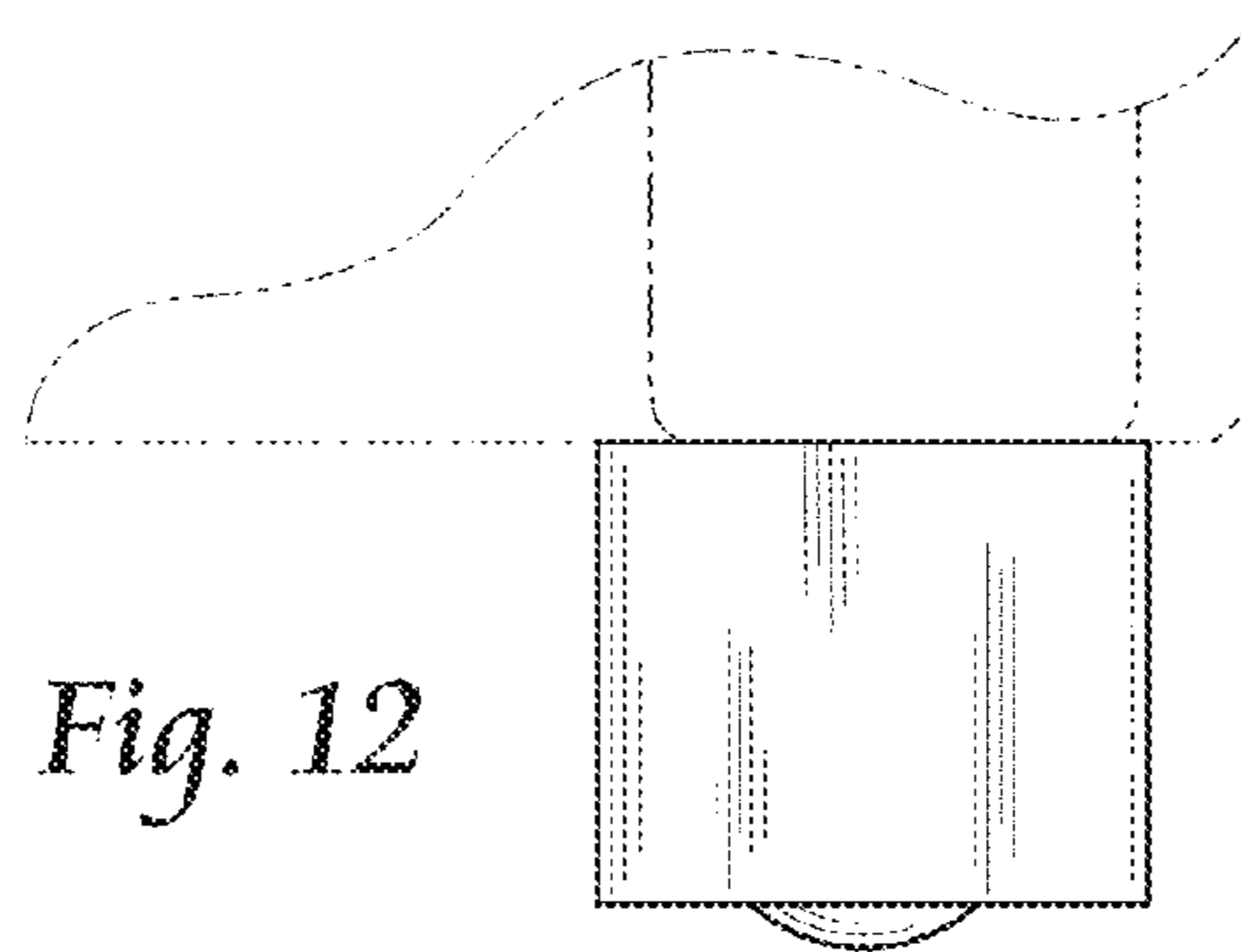


Fig. 12

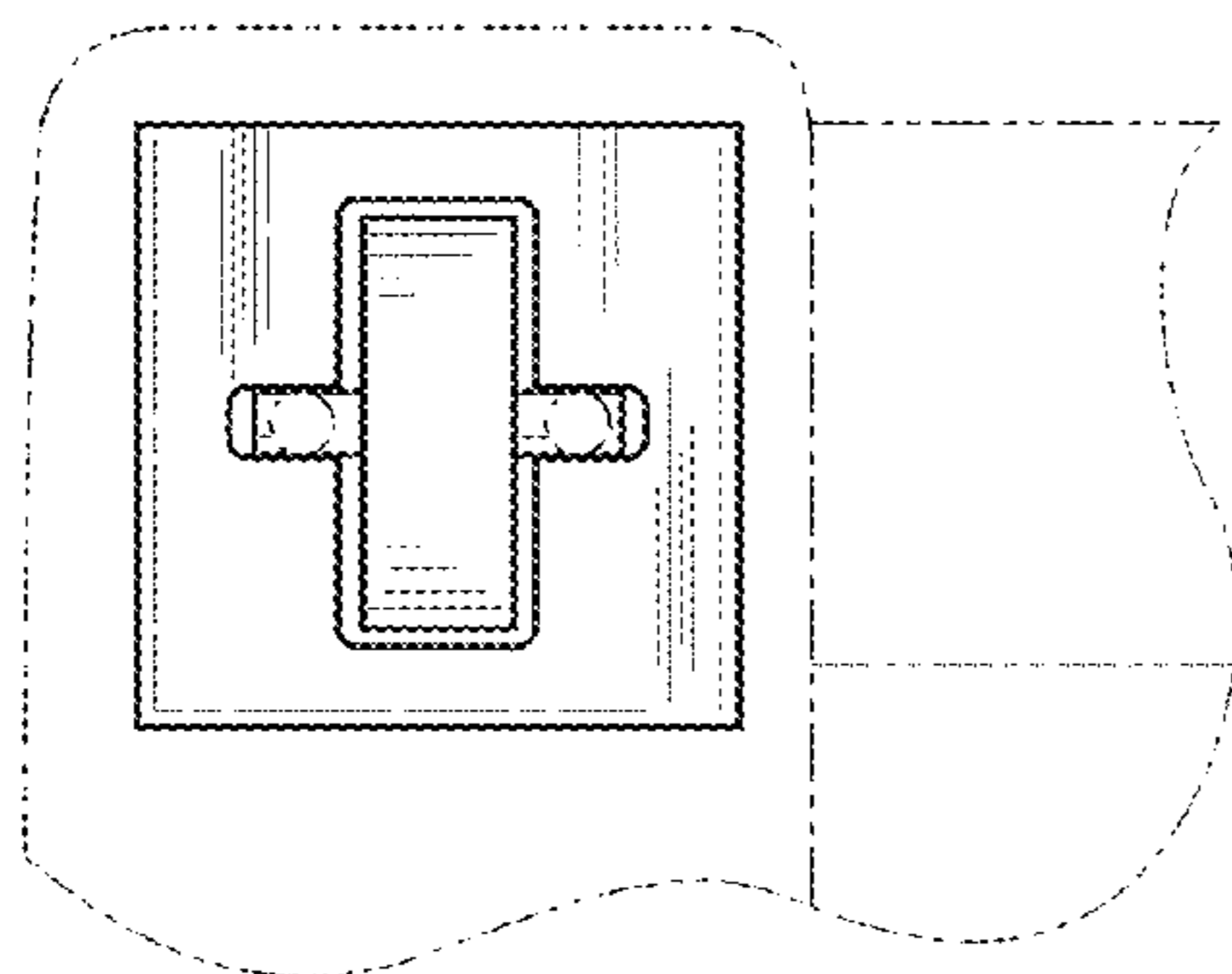
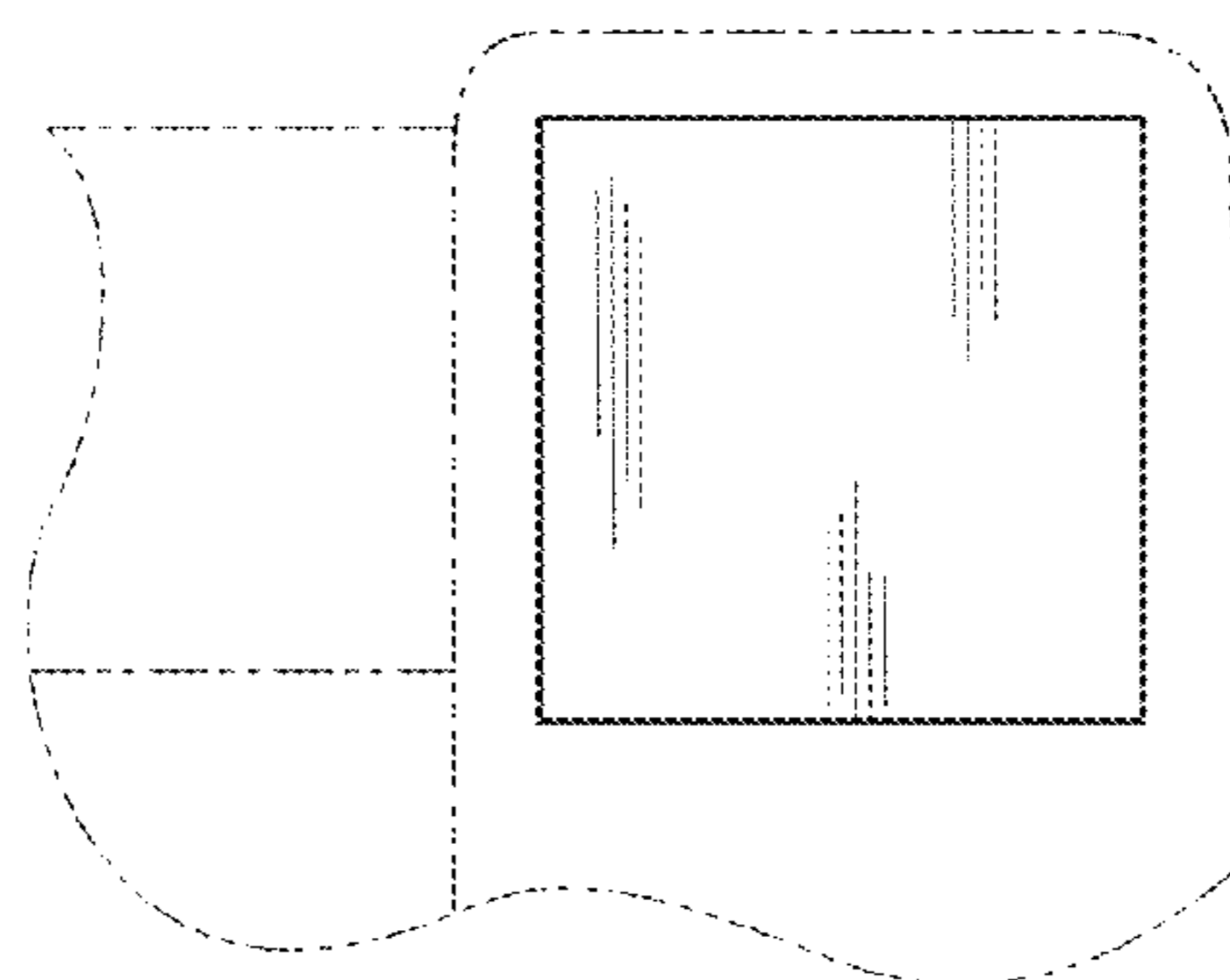


Fig. 13

Fig. 14



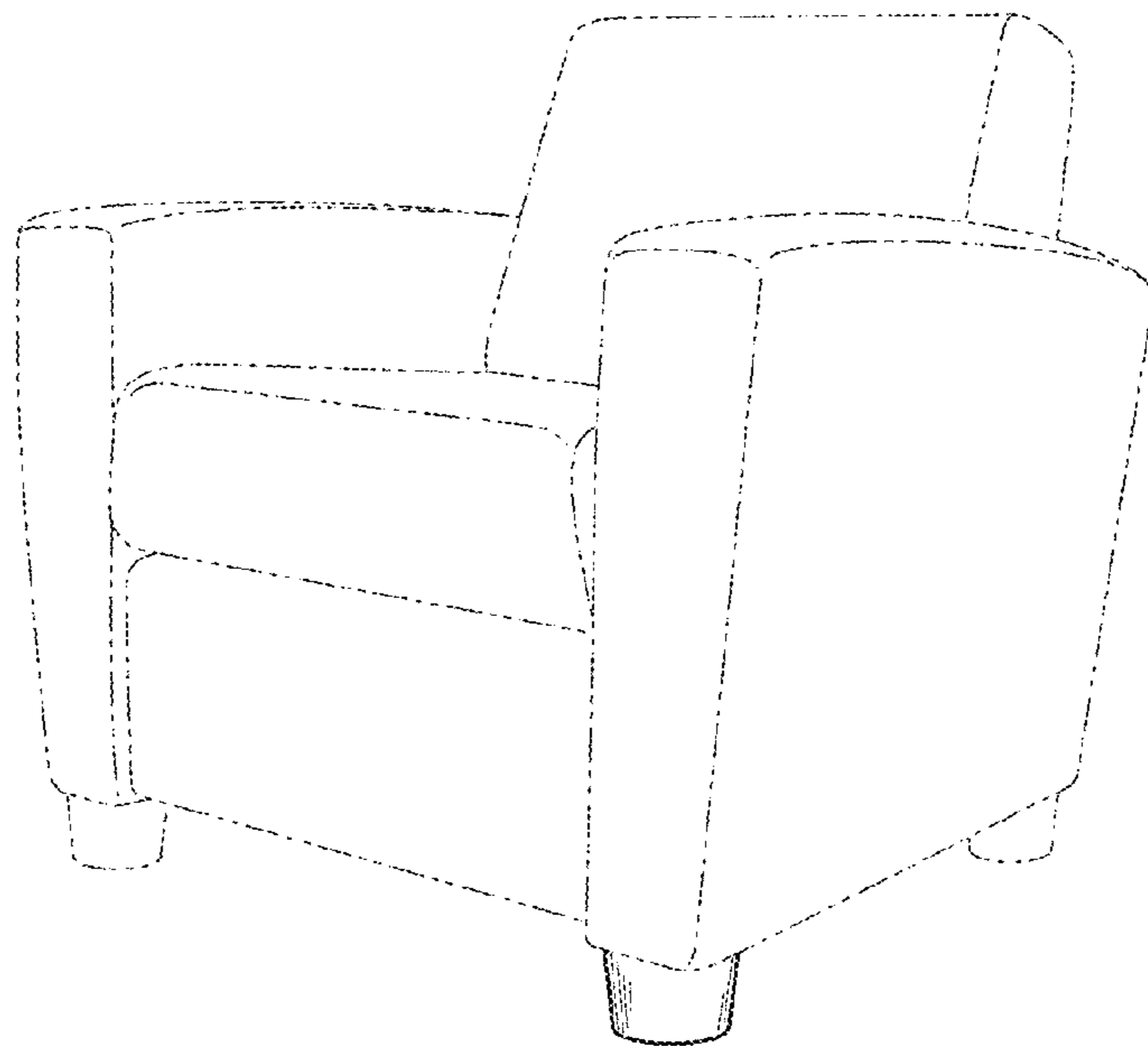


Fig. 15

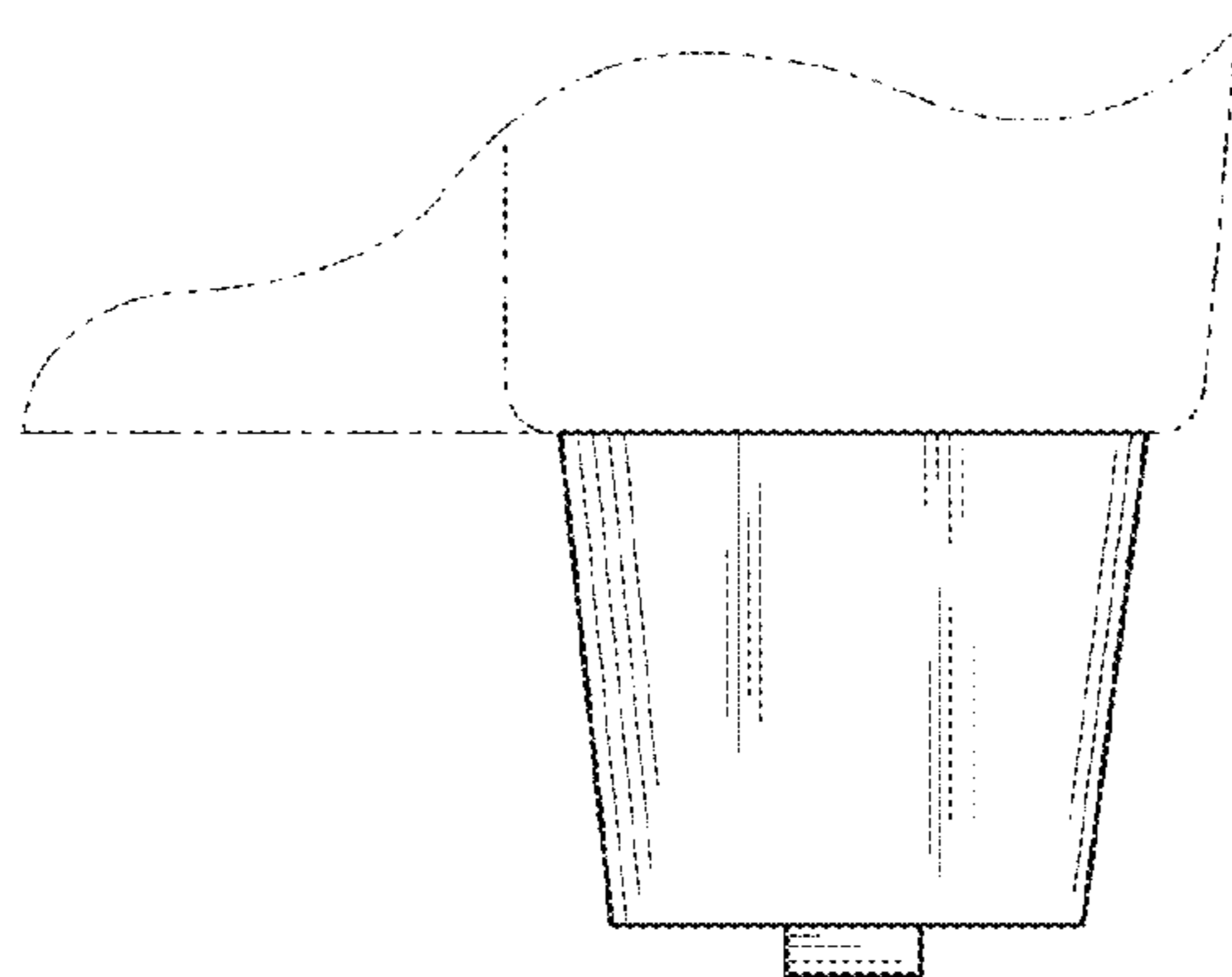


Fig. 16

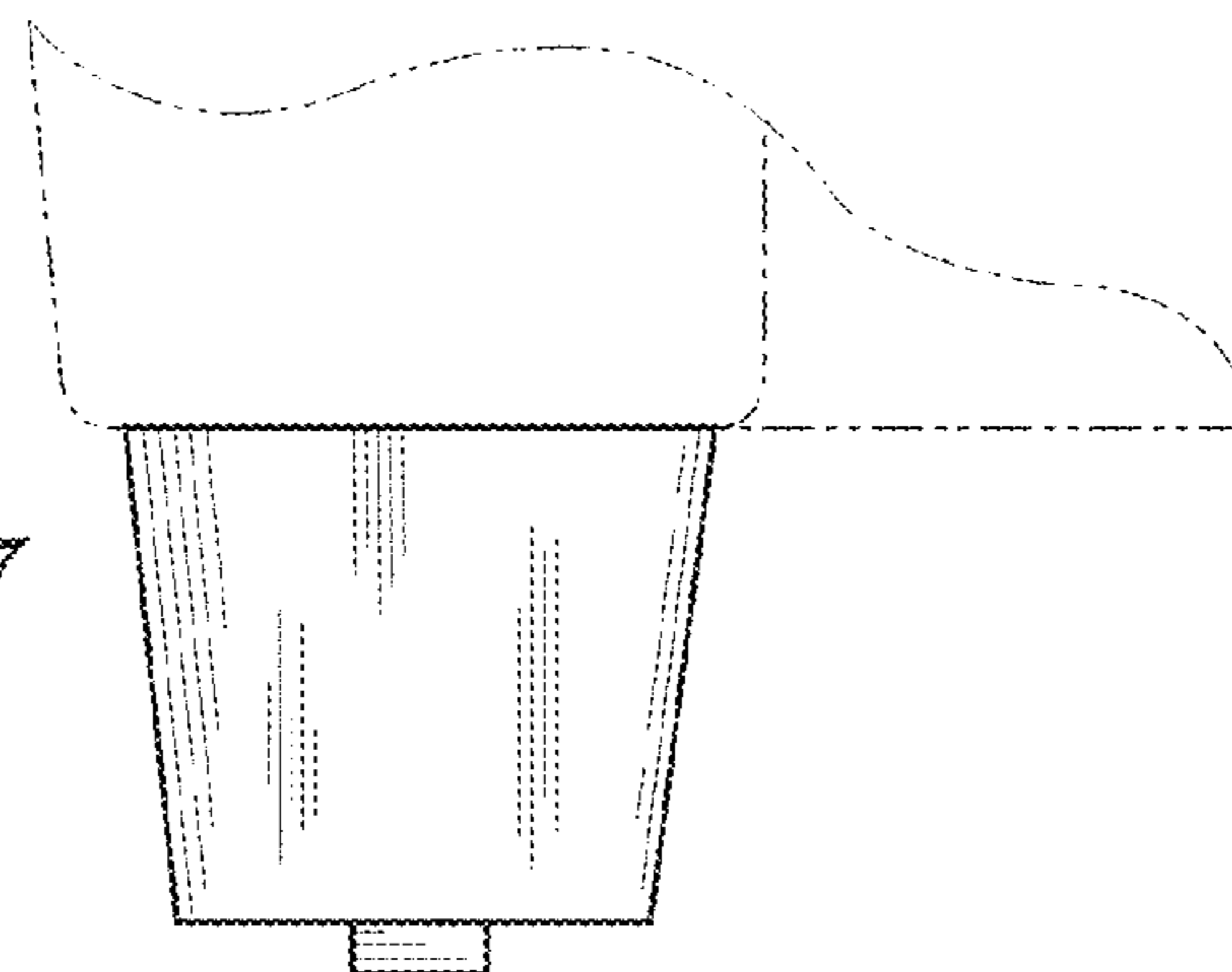


Fig. 17

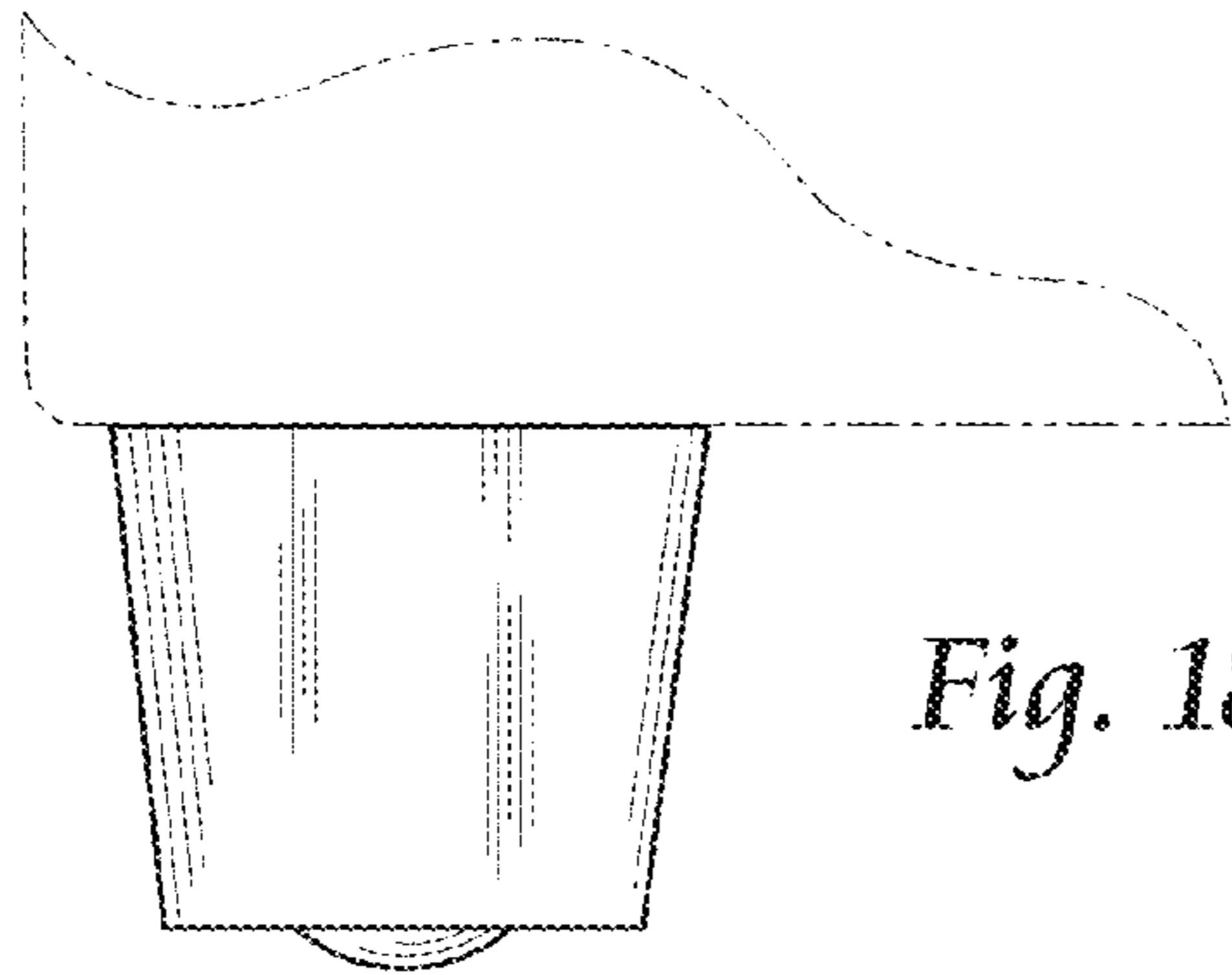


Fig. 18

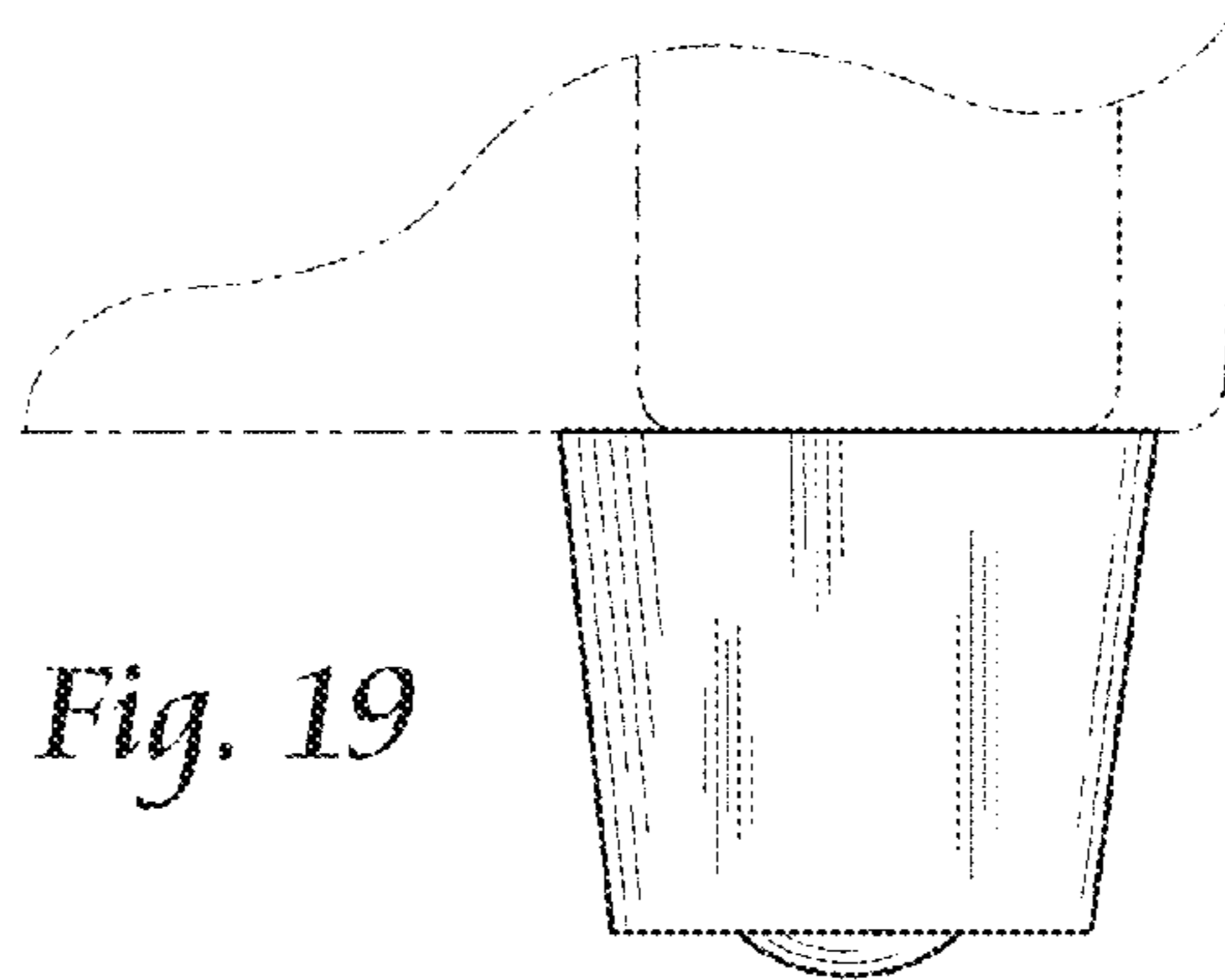


Fig. 19

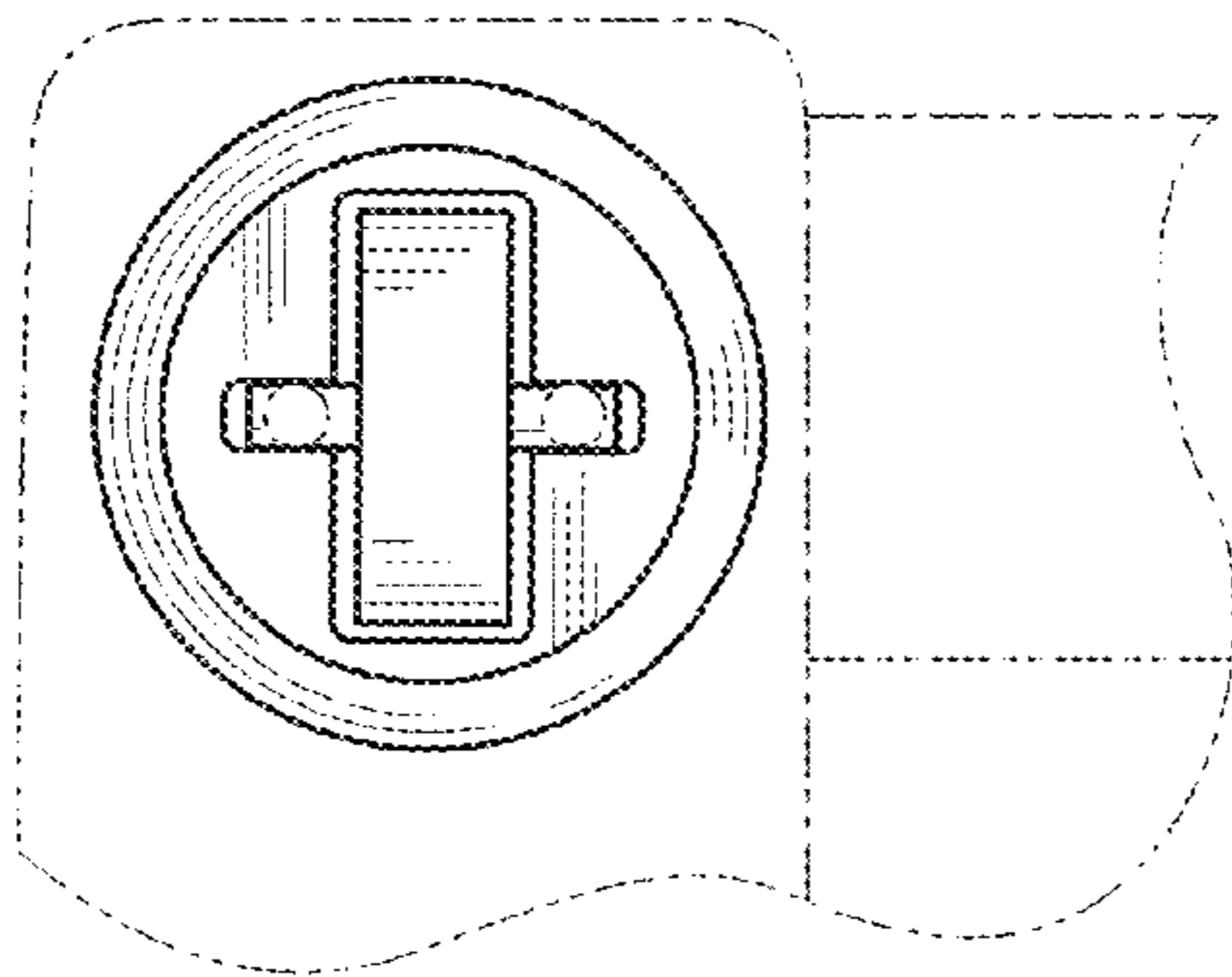
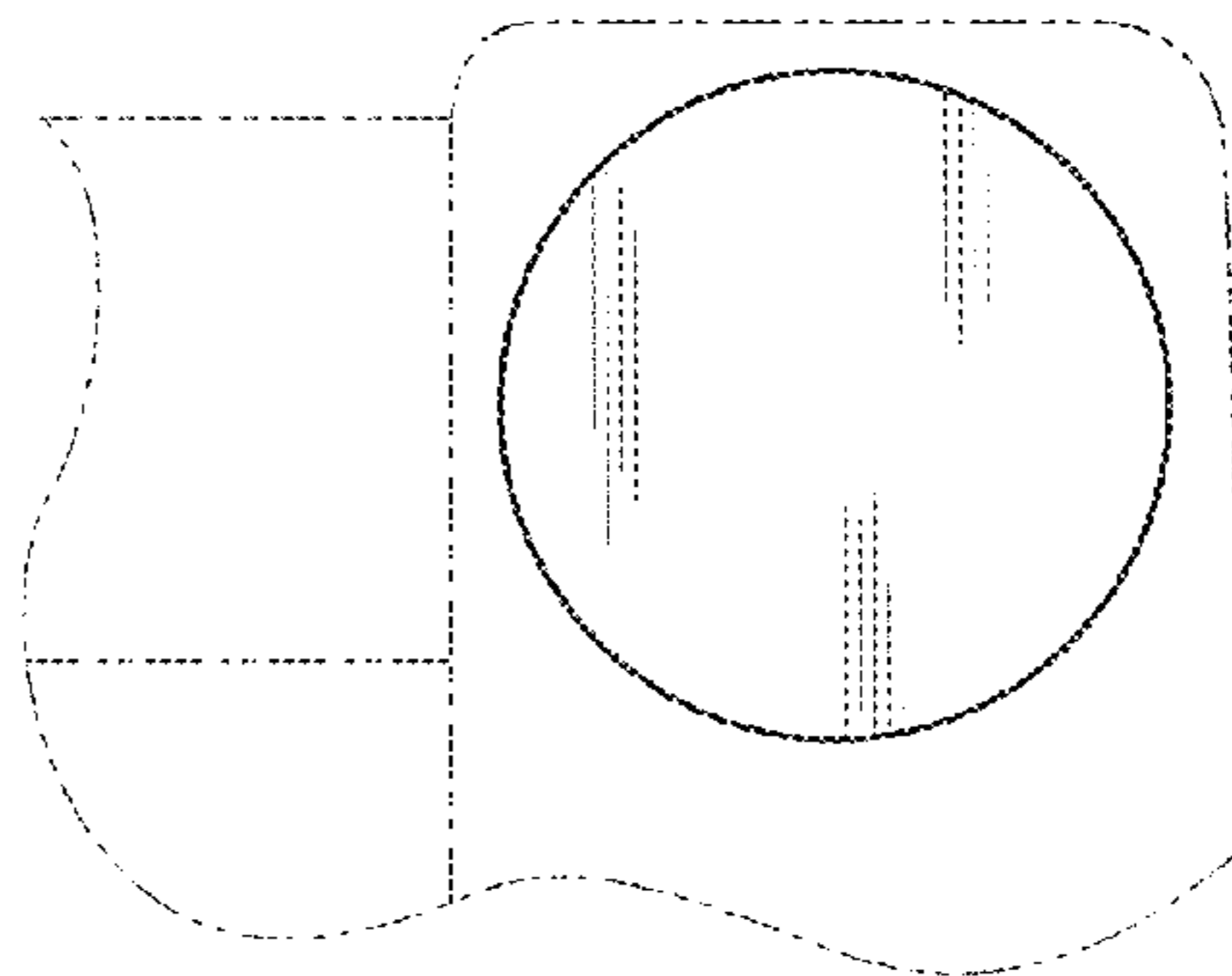


Fig. 20

Fig. 21



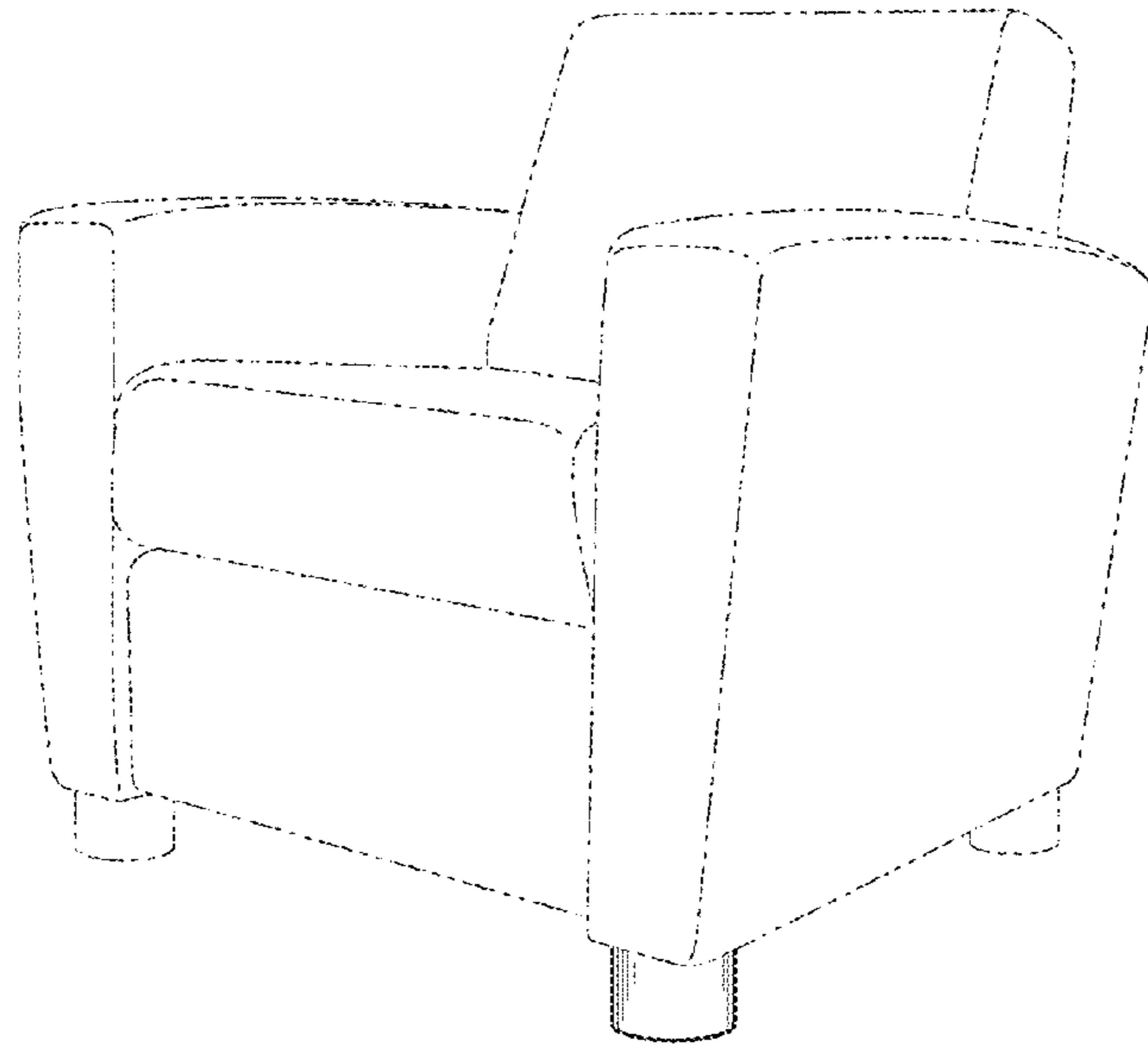


Fig. 22

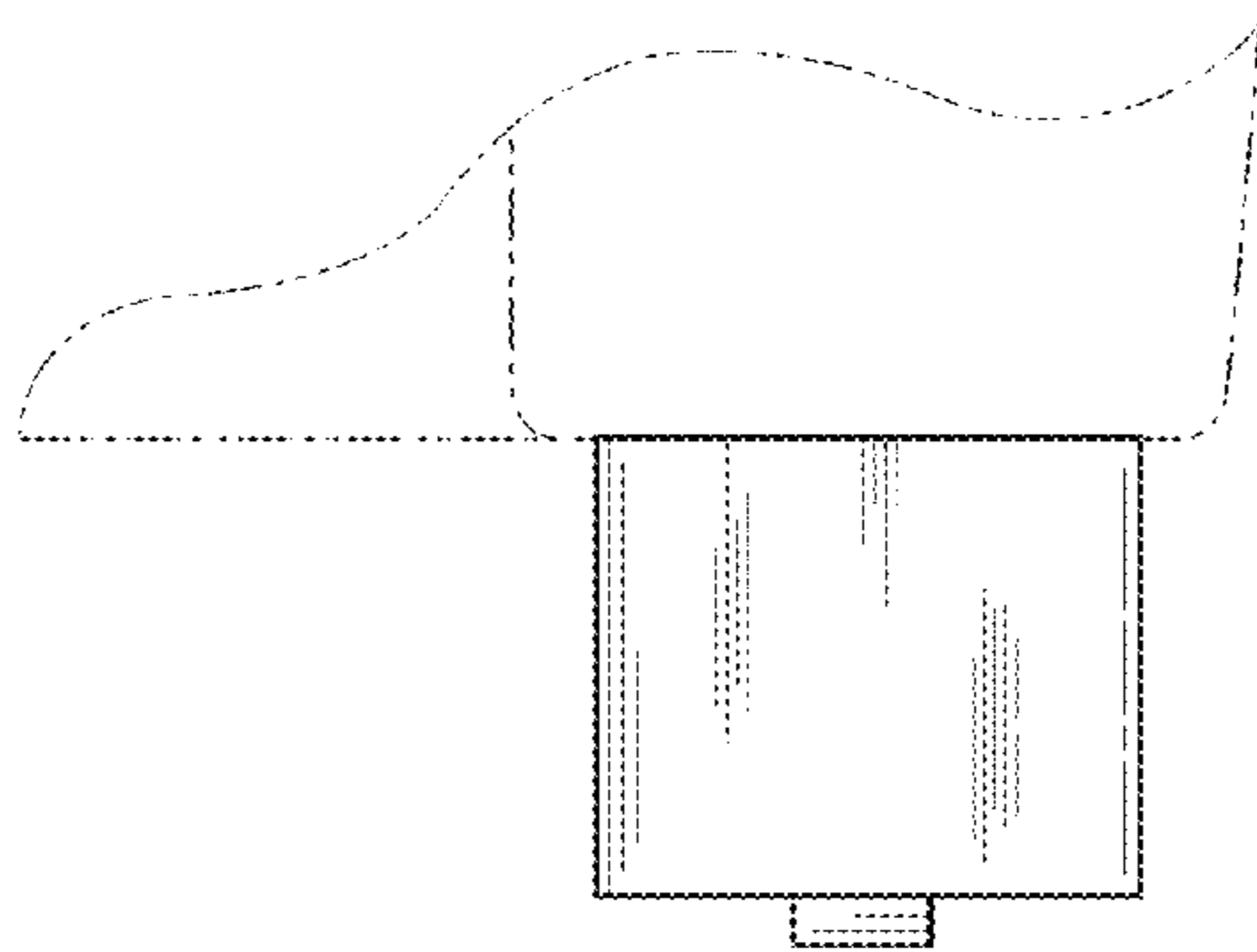


Fig. 23

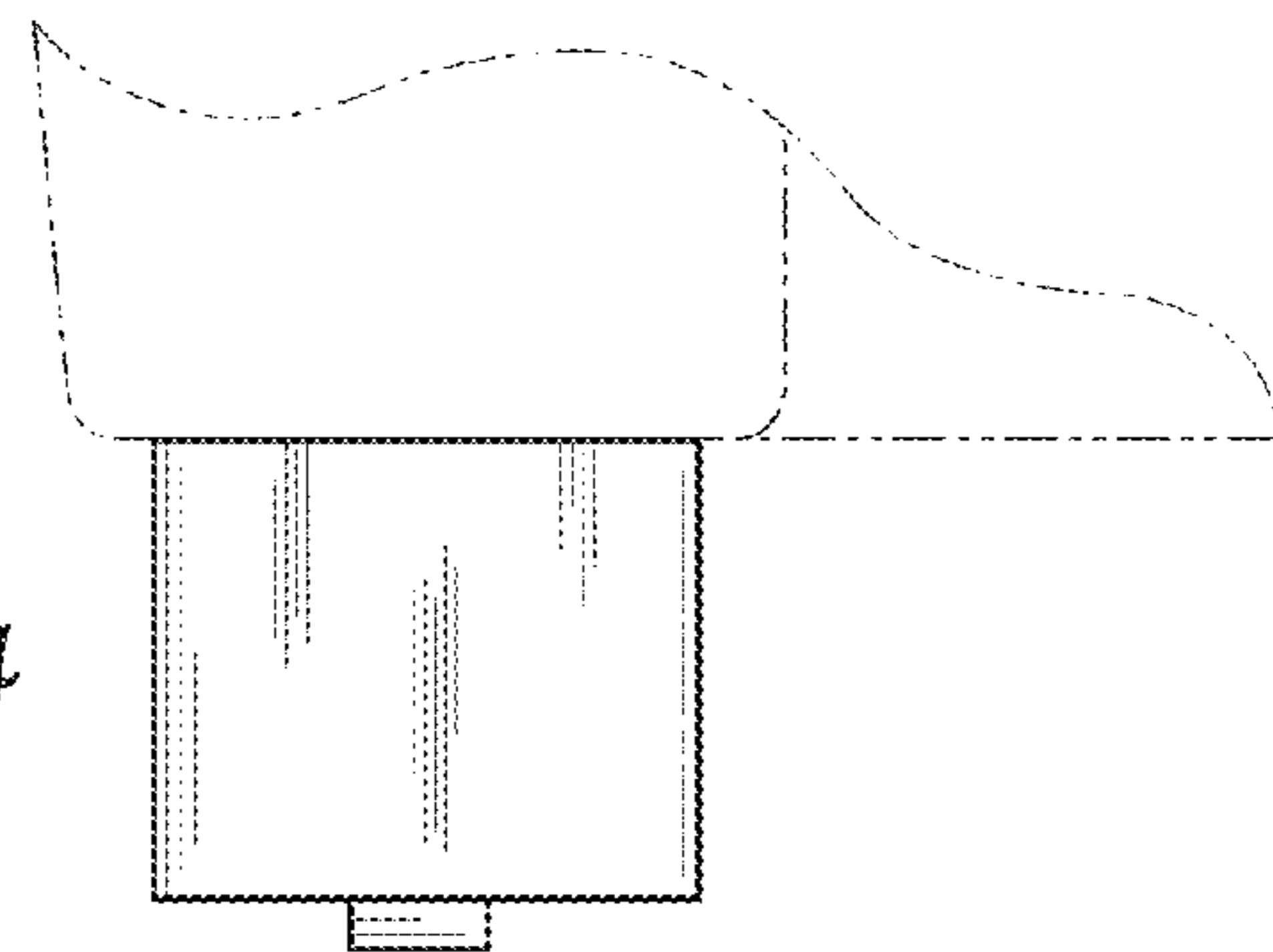


Fig. 24

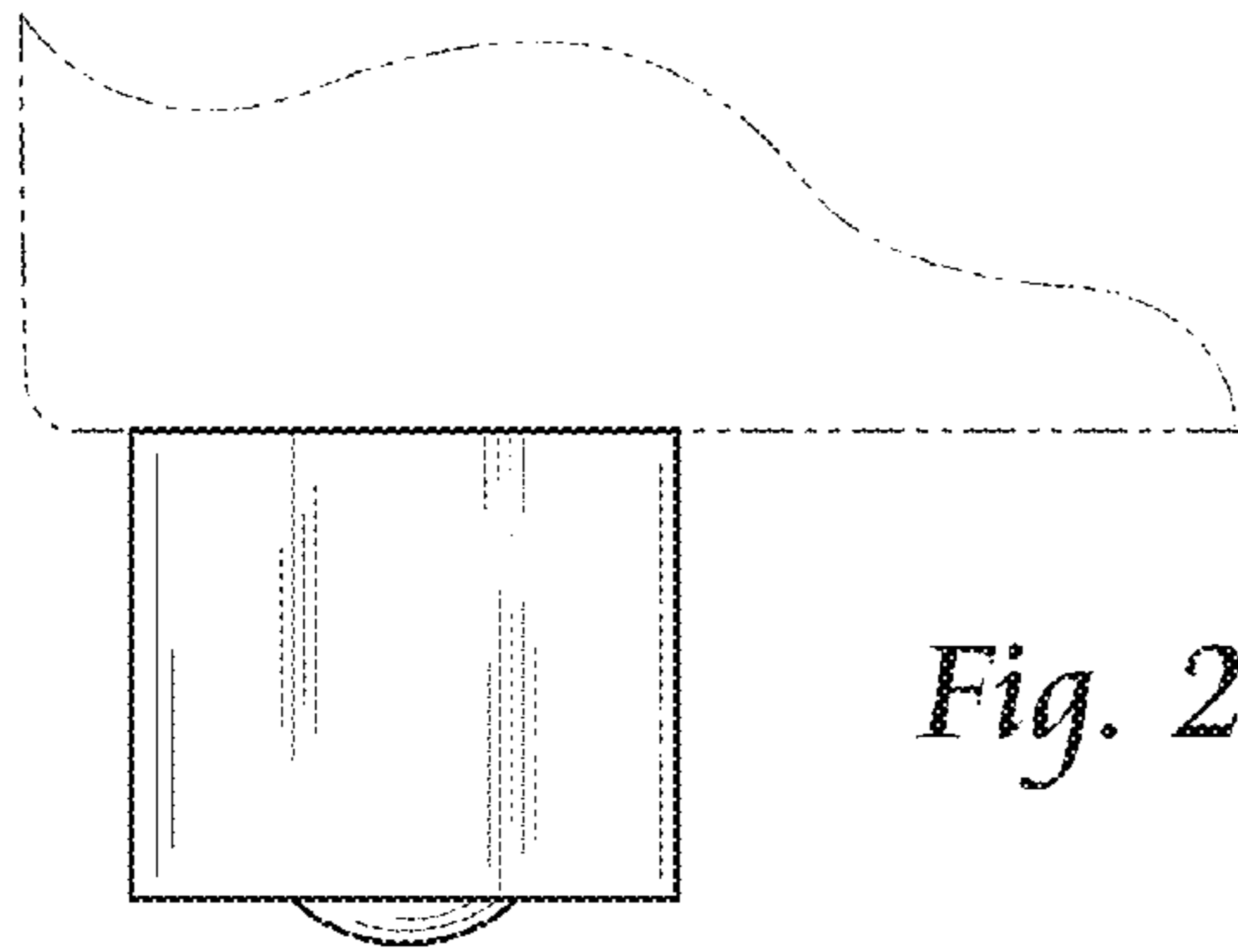


Fig. 25

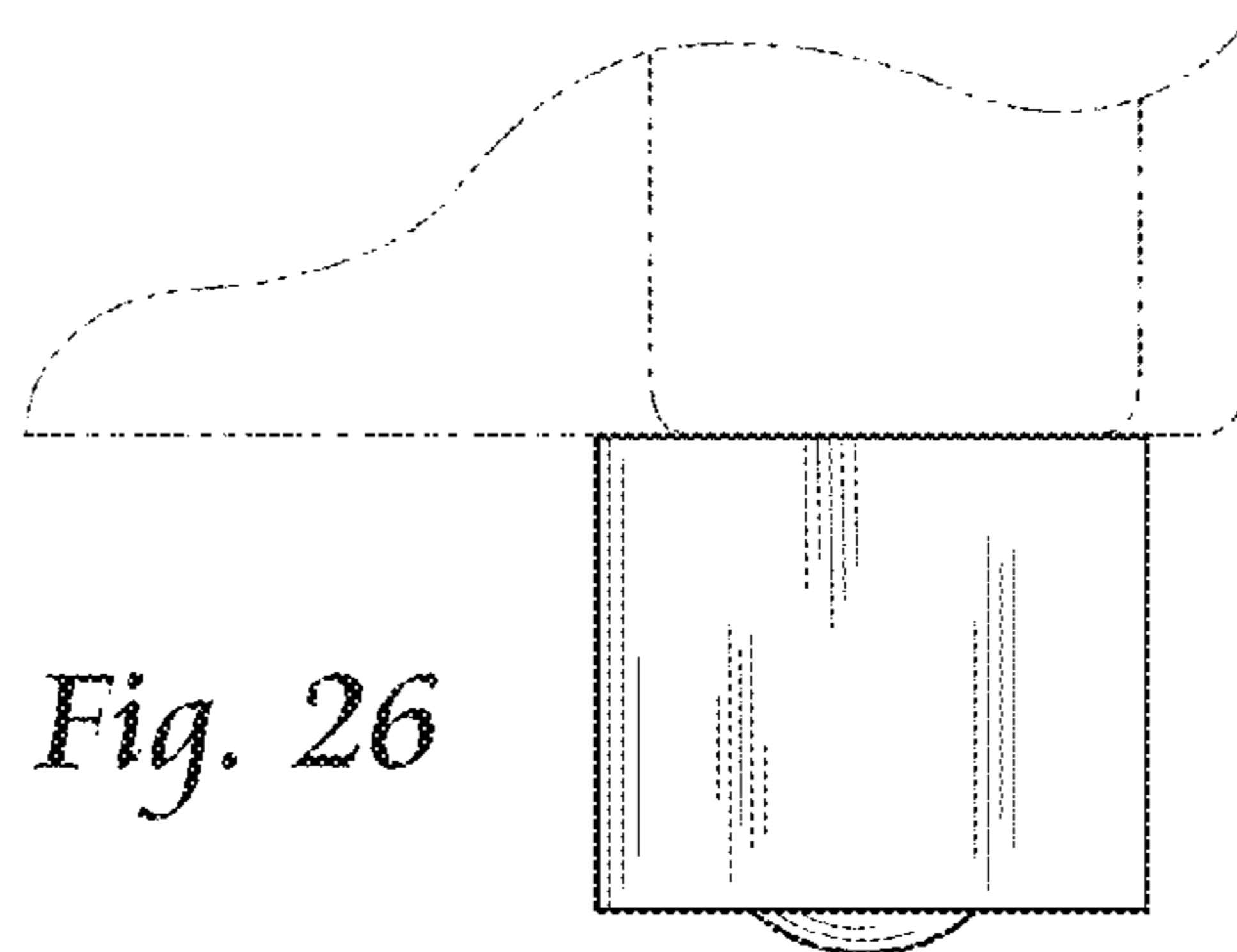


Fig. 26

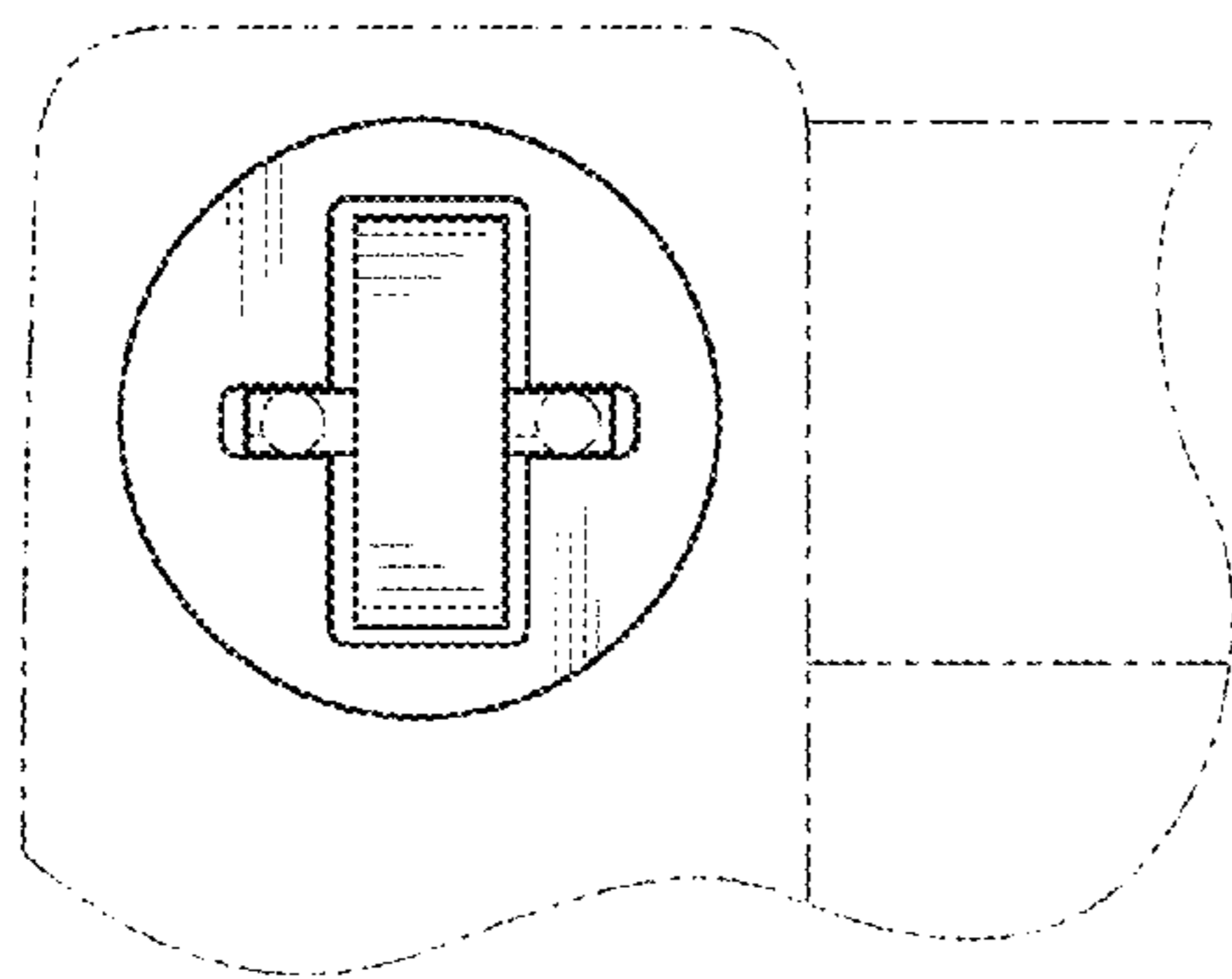


Fig. 27

Fig. 28

