

US00D766635S

(12) **United States Design Patent** (10) **Patent No.:** **US D766,635 S**  
**Muller** (45) **Date of Patent:** **\*\* Sep. 20, 2016**

(54) **TABLE**  
(71) Applicant: **Elite Manufacturing Corporation,**  
Santa Fe Springs, CA (US)  
(72) Inventor: **Carl Muller,** Huntington Beach, CA  
(US)  
(73) Assignee: **Elite Manufacturing Corporation,**  
Santa Fe Springs, CA (US)  
(\*\*) Term: **14 Years**

D502,825 S 3/2005 Muller  
D509,385 S 9/2005 Muller  
D511,257 S \* 11/2005 Chabot ..... D6/691.4  
D519,761 S 5/2006 Muller  
D526,821 S 8/2006 Muller  
D541,560 S 5/2007 Muller  
D543,733 S 6/2007 Muller  
D545,087 S 6/2007 Muller  
D563,123 S 3/2008 Muller  
D566,996 S 4/2008 Muller  
D566,997 S 4/2008 Muller  
D573,376 S 7/2008 Muller  
D573,377 S 7/2008 Muller  
D574,640 S 8/2008 Muller

(Continued)

(21) Appl. No.: **29/511,836**  
(22) Filed: **Dec. 15, 2014**  
(51) **LOC (10) Cl.** ..... **06-06**  
(52) **U.S. Cl.**  
USPC ..... **D6/708.17**  
(58) **Field of Classification Search**  
USPC ..... D6/685, 691.4, 692.3, 696, 696.1,  
D6/696.3, 697.1, 708, 708.16, 708.17  
CPC ..... A47B 7/00; A47B 13/00; A47B 13/02;  
A47B 13/04; A47B 13/06; A47B 13/021;  
A47B 13/023; A47B 2200/0011; A47B  
2200/0016; A47B 2013/024  
See application file for complete search history.

*Primary Examiner* — Mary Ann Calabrese  
(74) *Attorney, Agent, or Firm* — Stetina Brunda Garred and  
Brucker

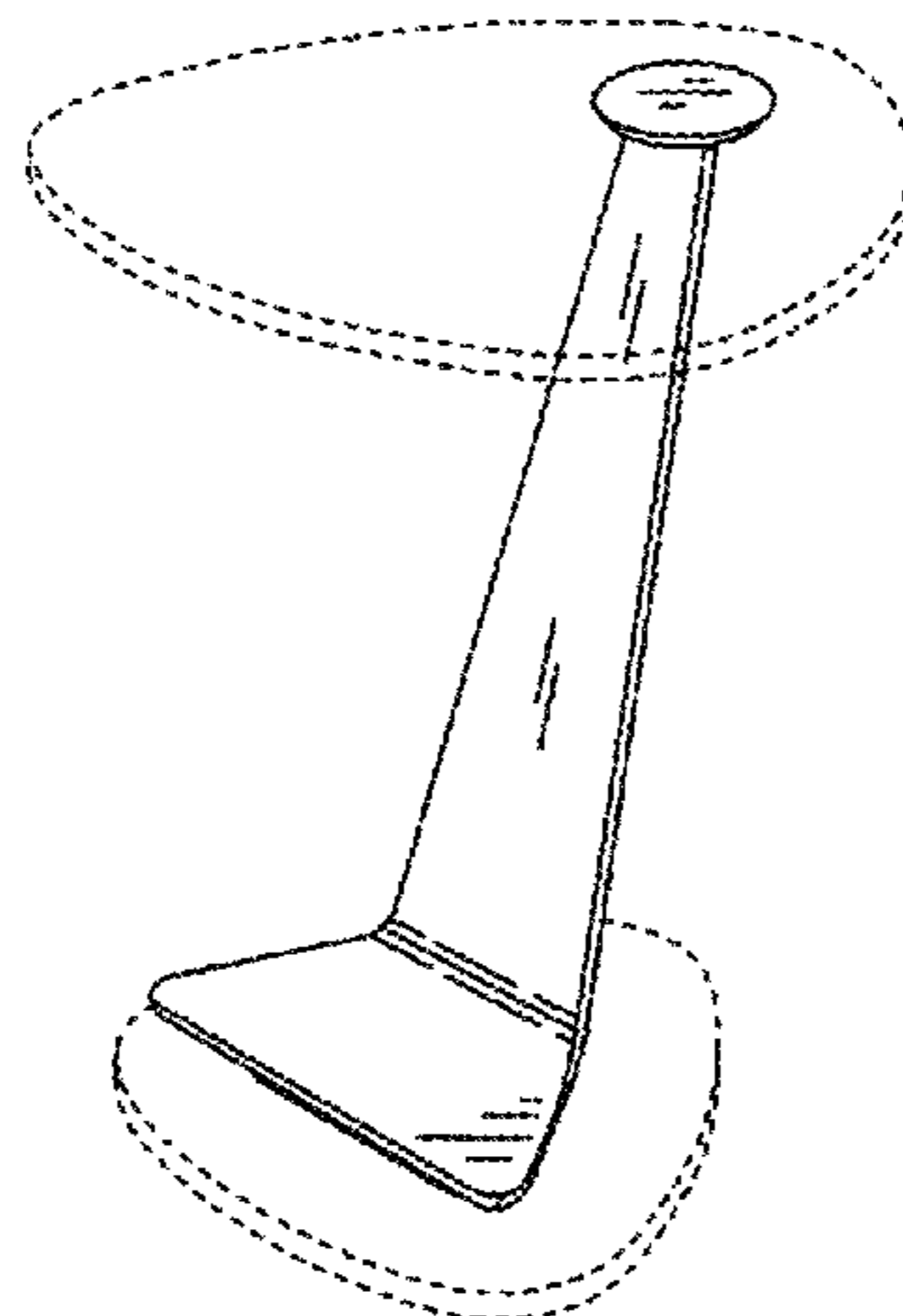
(57) **CLAIM**  
The ornamental design for a table, as shown and described.

**DESCRIPTION**

FIG. 1 is a front perspective view of the table of the present invention showing my new design with the dotted lines depicting environmental structure and forming no part of the claimed design;  
FIG. 2 is a top plan view thereof;  
FIG. 3 is a front elevational view thereof;  
FIG. 4 is a right side elevational view thereof;  
FIG. 5 is a bottom plan view thereof;  
FIG. 6 is a rear elevational view thereof;  
FIG. 7 is a front perspective view of a second embodiment of the table of the present invention showing my new design with the dotted lines depicting environmental structure and forming no part of the claimed design;  
FIG. 8 is a top plan view thereof;  
FIG. 9 is a front elevational view thereof;  
FIG. 10 is a side elevational view thereof;  
FIG. 11 is a bottom plan view thereof; and,  
FIG. 12 is a rear elevational view thereof.

(56) **References Cited**  
U.S. PATENT DOCUMENTS  
D328,000 S \* 7/1992 Weaver ..... D6/696.1  
D359,637 S \* 6/1995 Hammie ..... D6/692.3  
D382,422 S 8/1997 Muller  
D389,674 S 1/1998 Muller  
D408,652 S 4/1999 Muller  
D420,529 S 2/2000 Muller  
D433,254 S 11/2000 Muller  
D446,974 S 8/2001 Muller  
D469,990 S 2/2003 Muller  
D470,345 S 2/2003 Muller  
D471,742 S 3/2003 Muller  
D491,388 S 6/2004 Muller

**1 Claim, 4 Drawing Sheets**



(56)

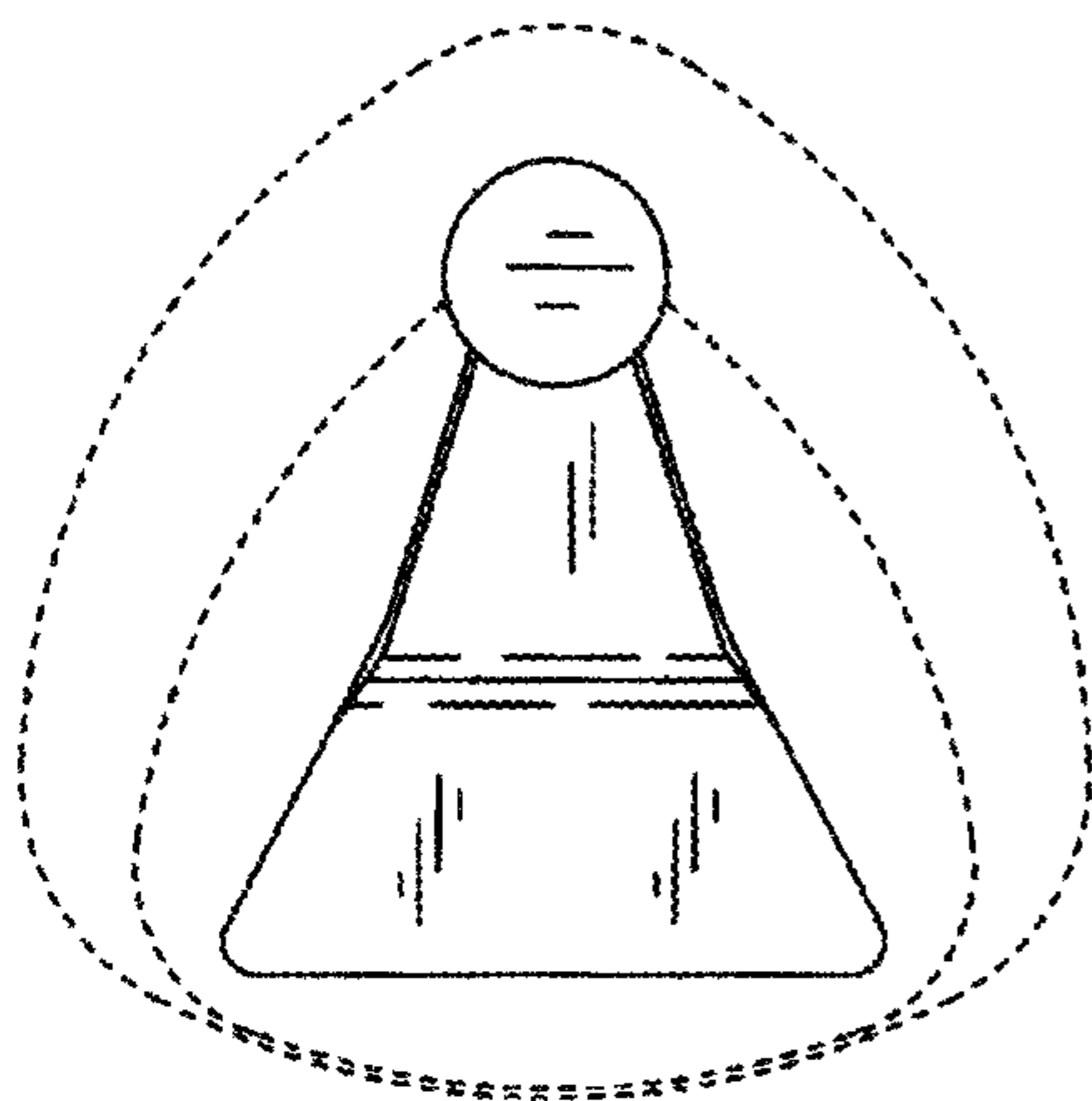
**References Cited**

U.S. PATENT DOCUMENTS

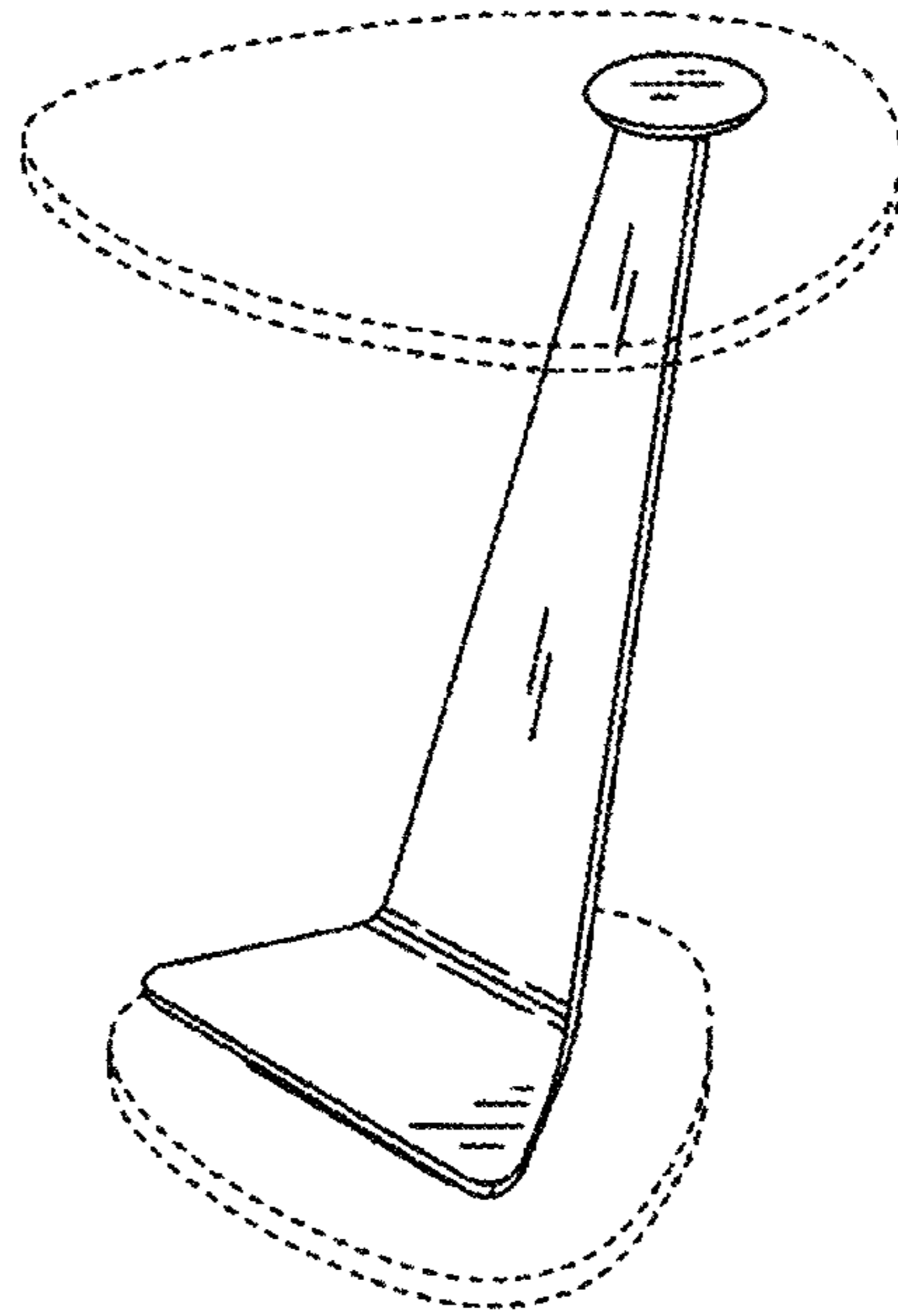
D578,322 S 10/2008 Muller  
D578,323 S 10/2008 Muller  
D604,066 S 11/2009 Muller  
D604,533 S 11/2009 Muller

D613,097 S 4/2010 Muller  
D613,974 S 4/2010 Muller  
D646,081 S 10/2011 Muller  
D650,204 S 12/2011 Muller  
D716,597 S 11/2014 Muller  
D731,216 S \* 6/2015 Sorel ..... D6/690  
D750,405 S \* 3/2016 Muller ..... D6/708.17

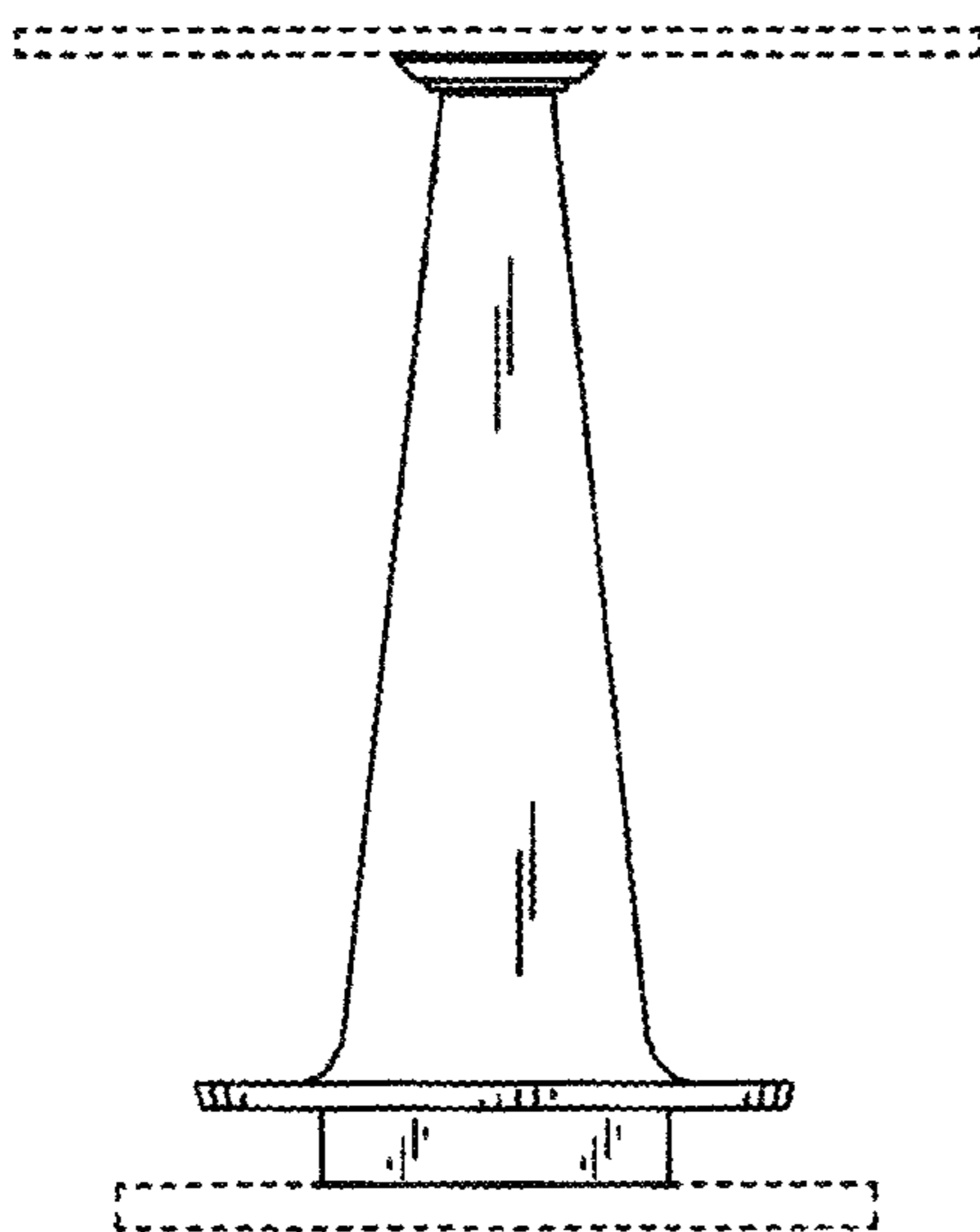
\* cited by examiner



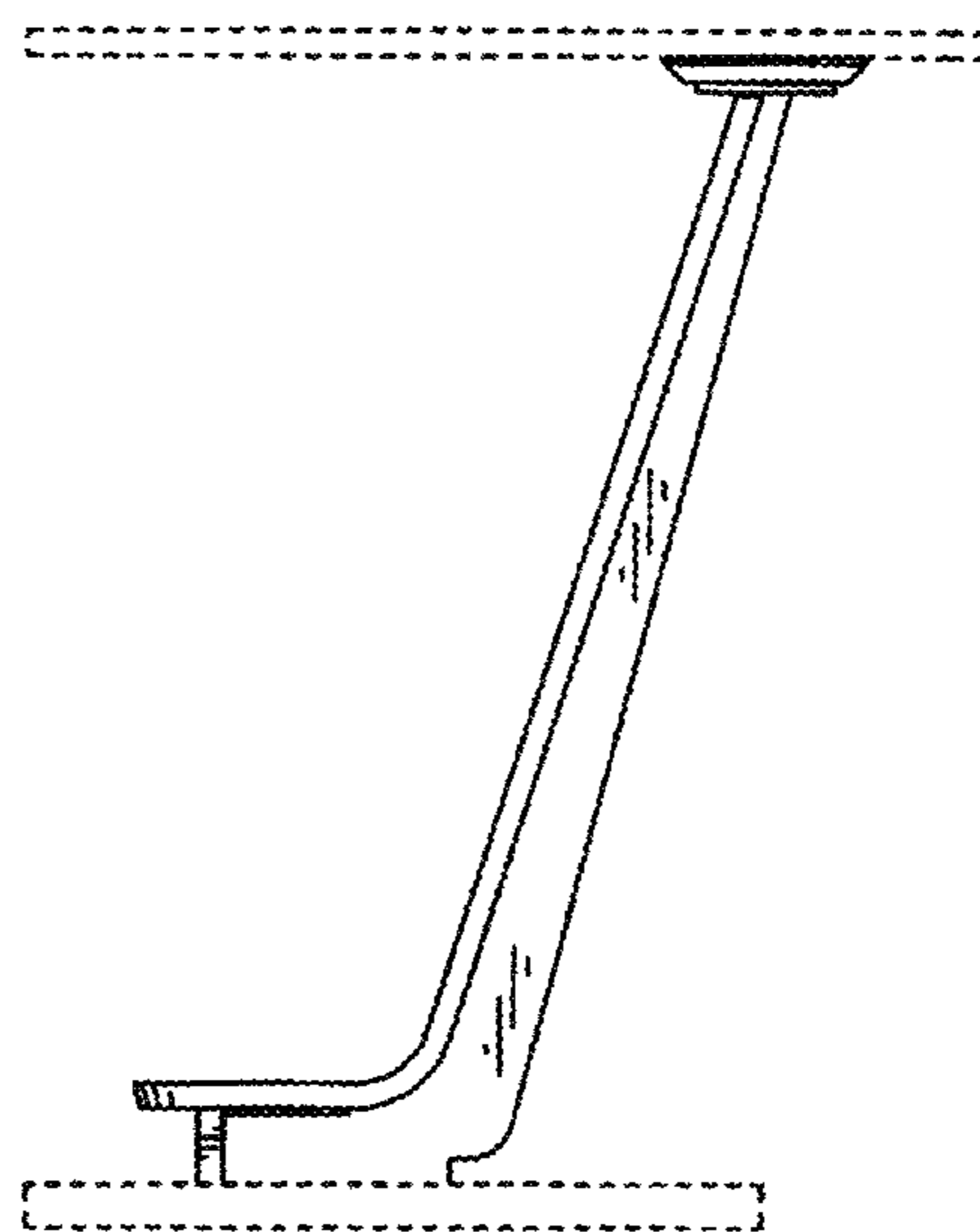
**FIG. 2**



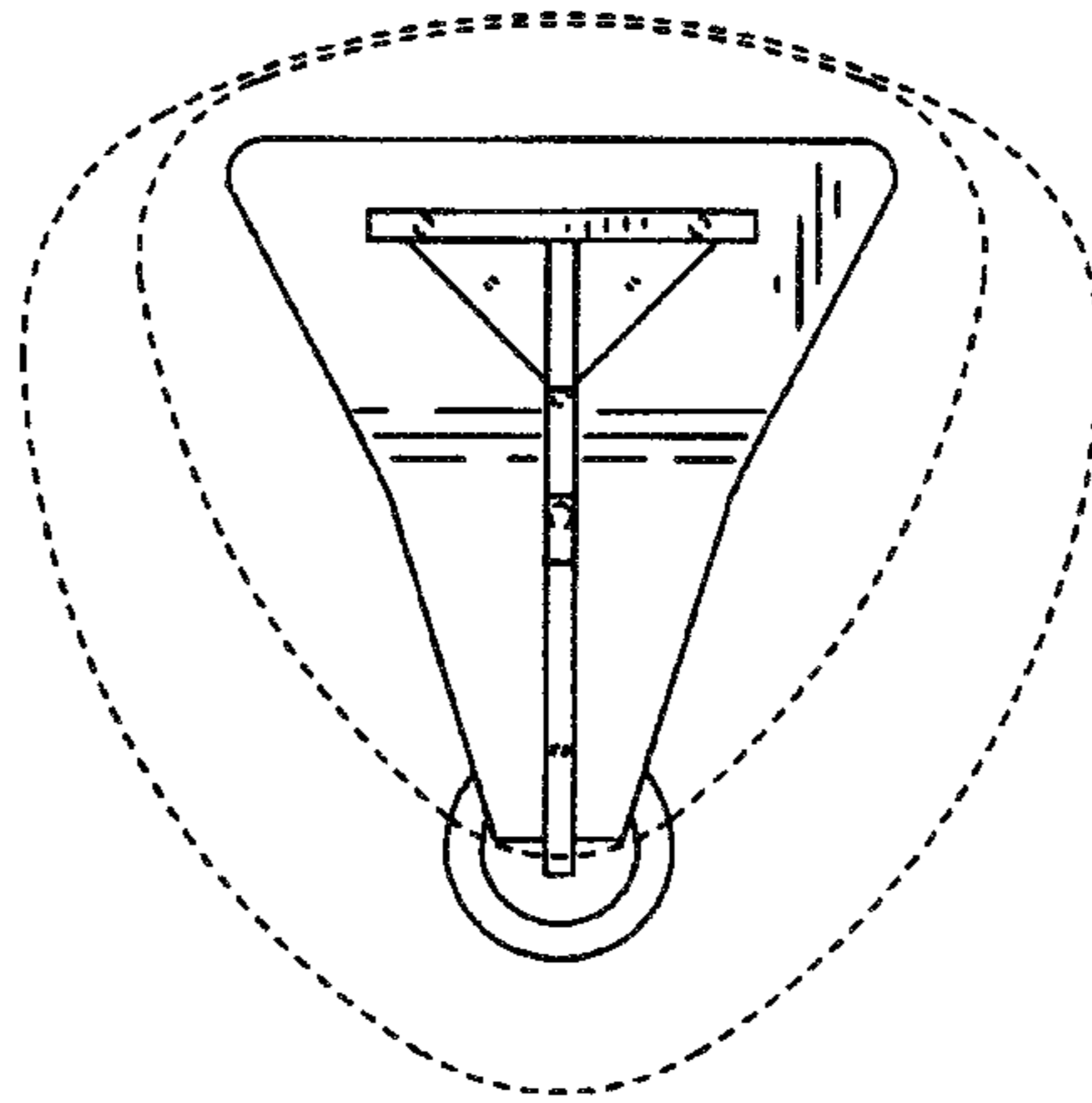
**FIG. 1**



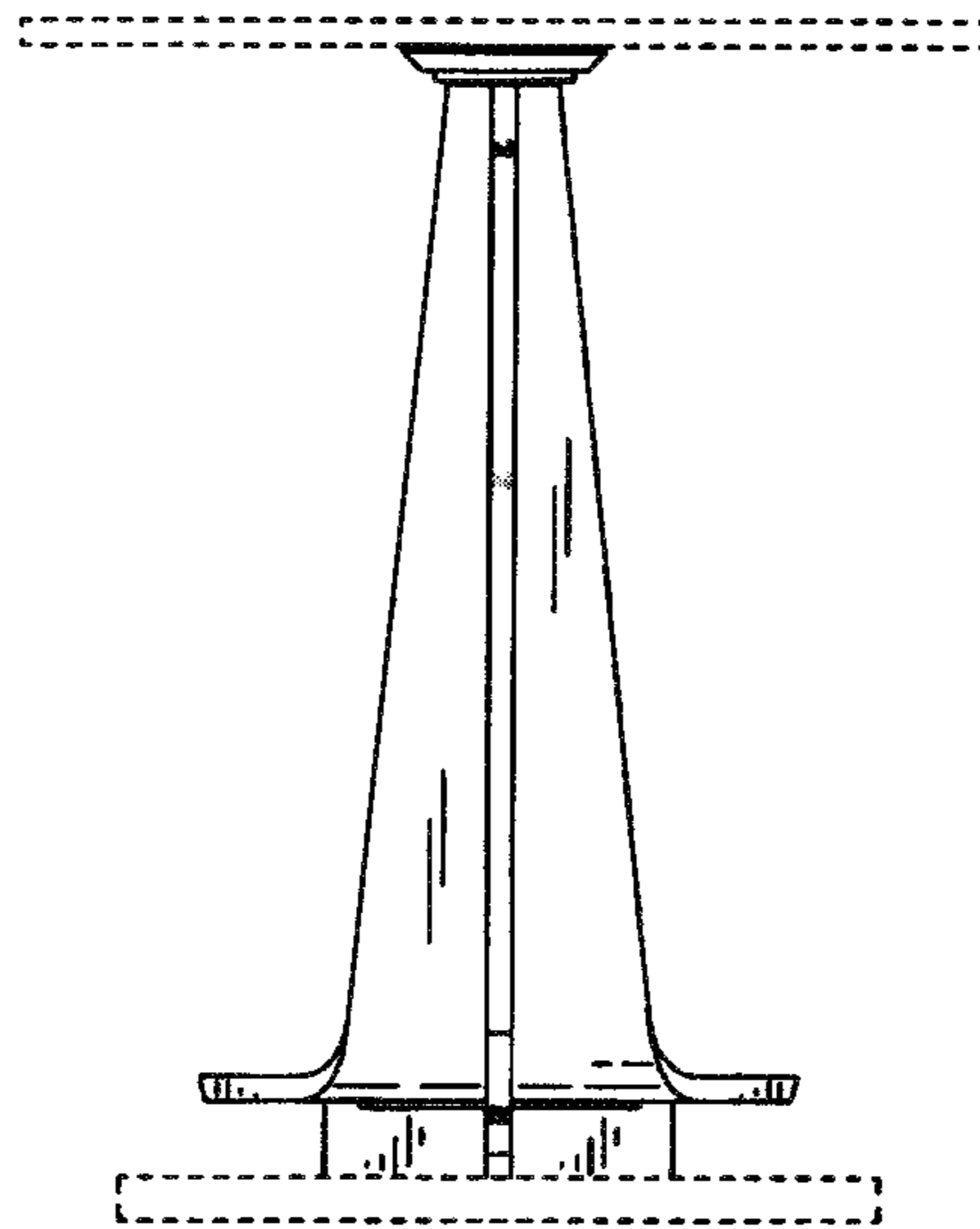
**FIG. 3**



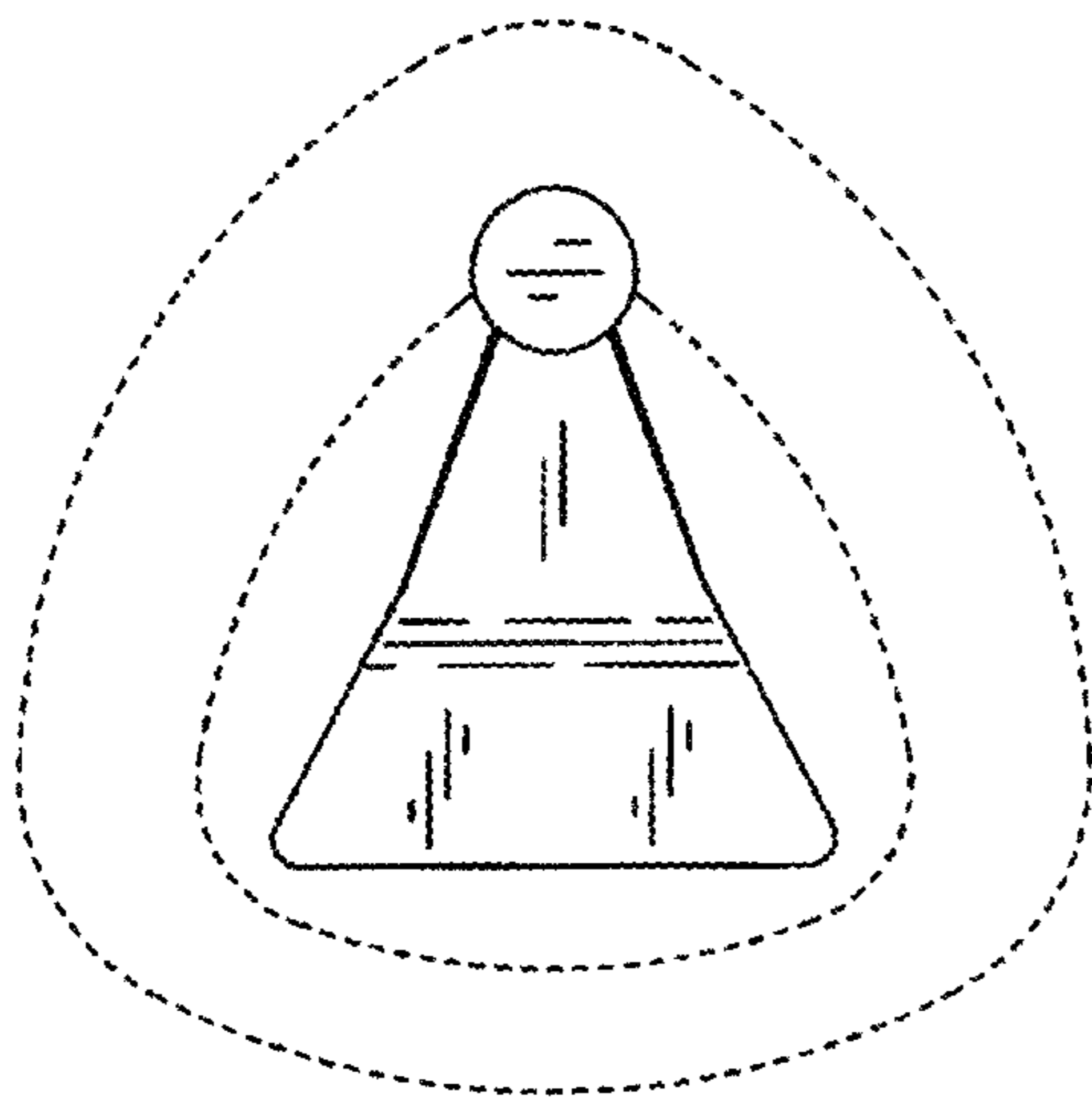
**FIG. 4**



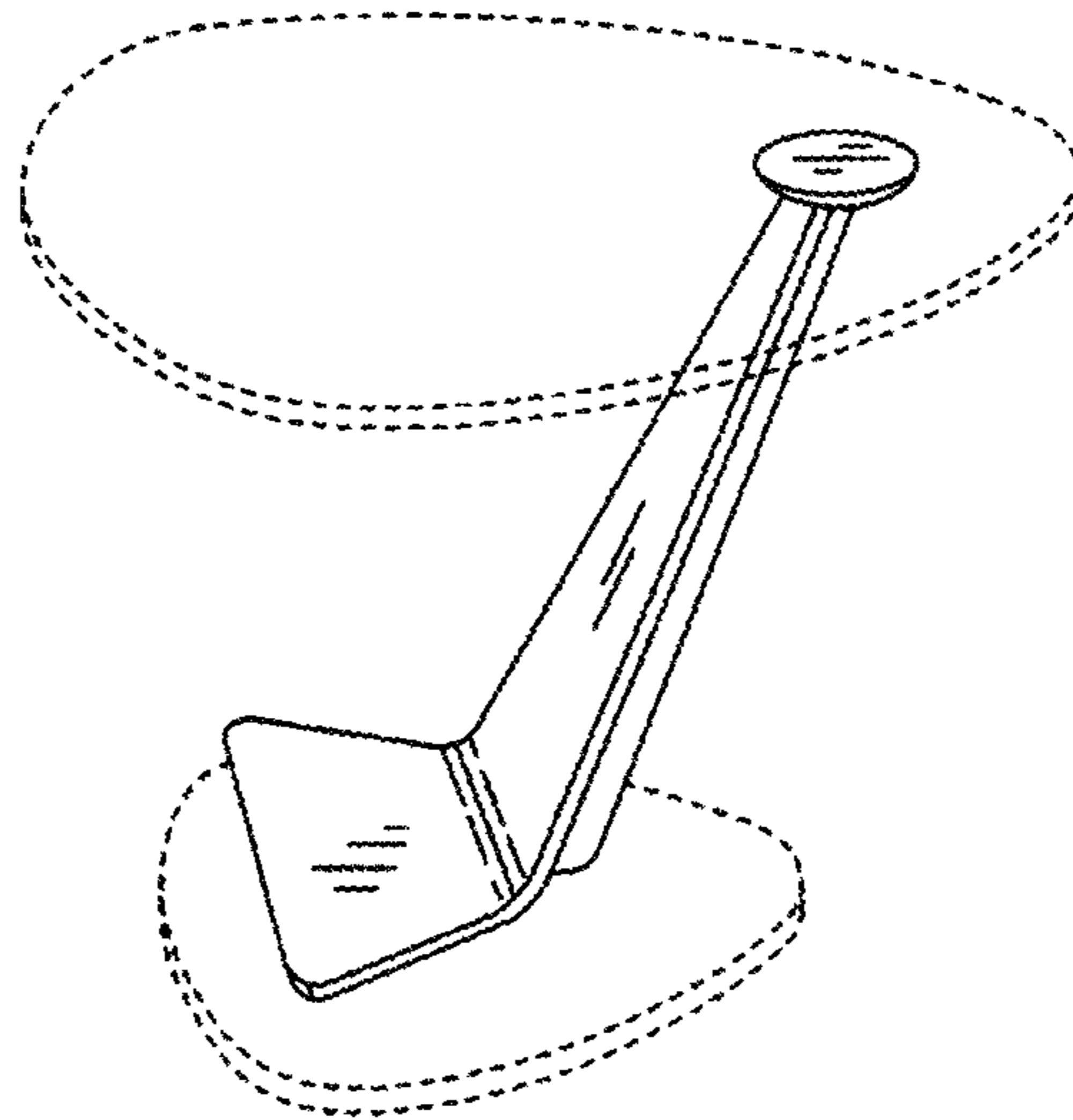
**FIG. 5**



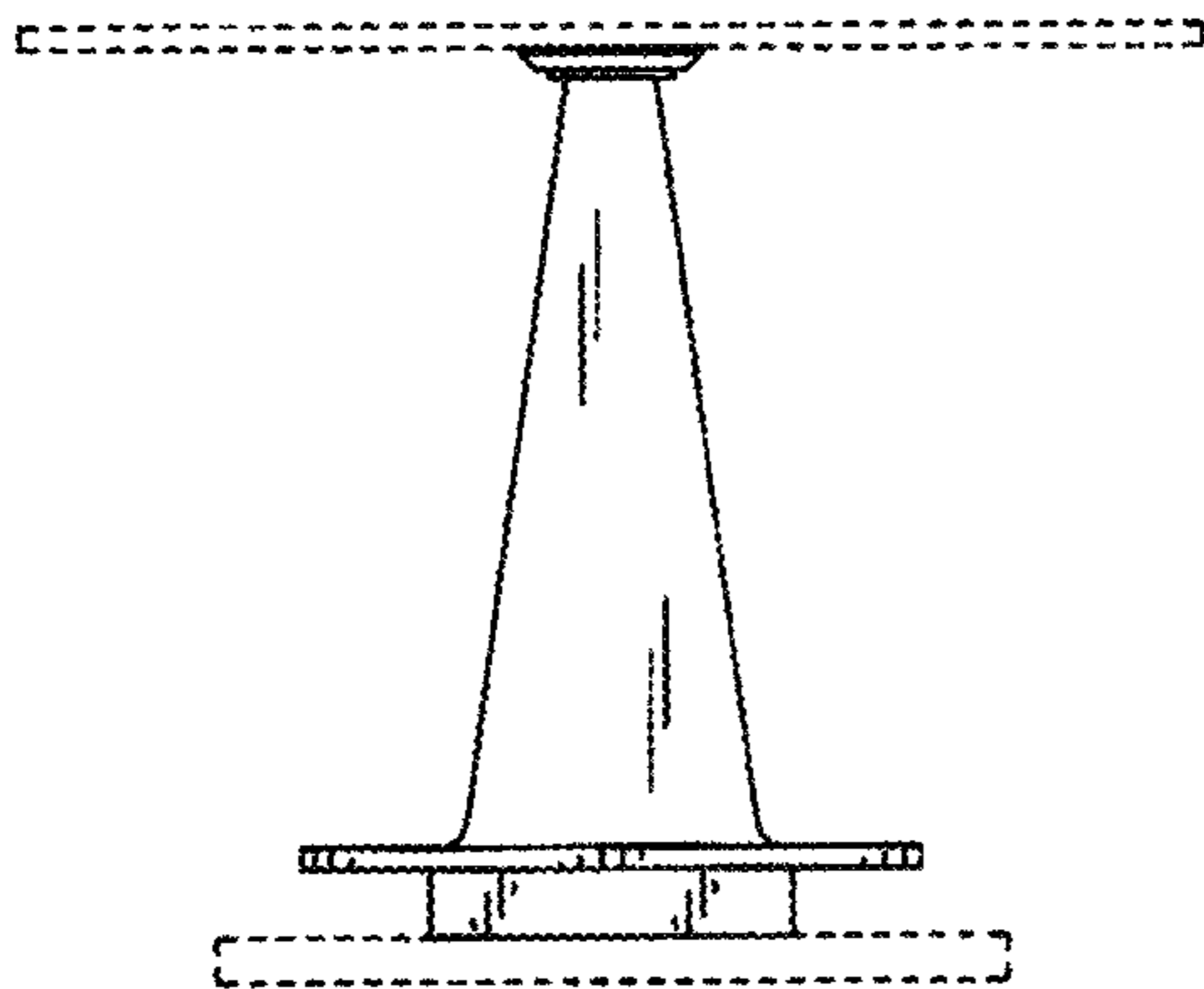
**FIG. 6**



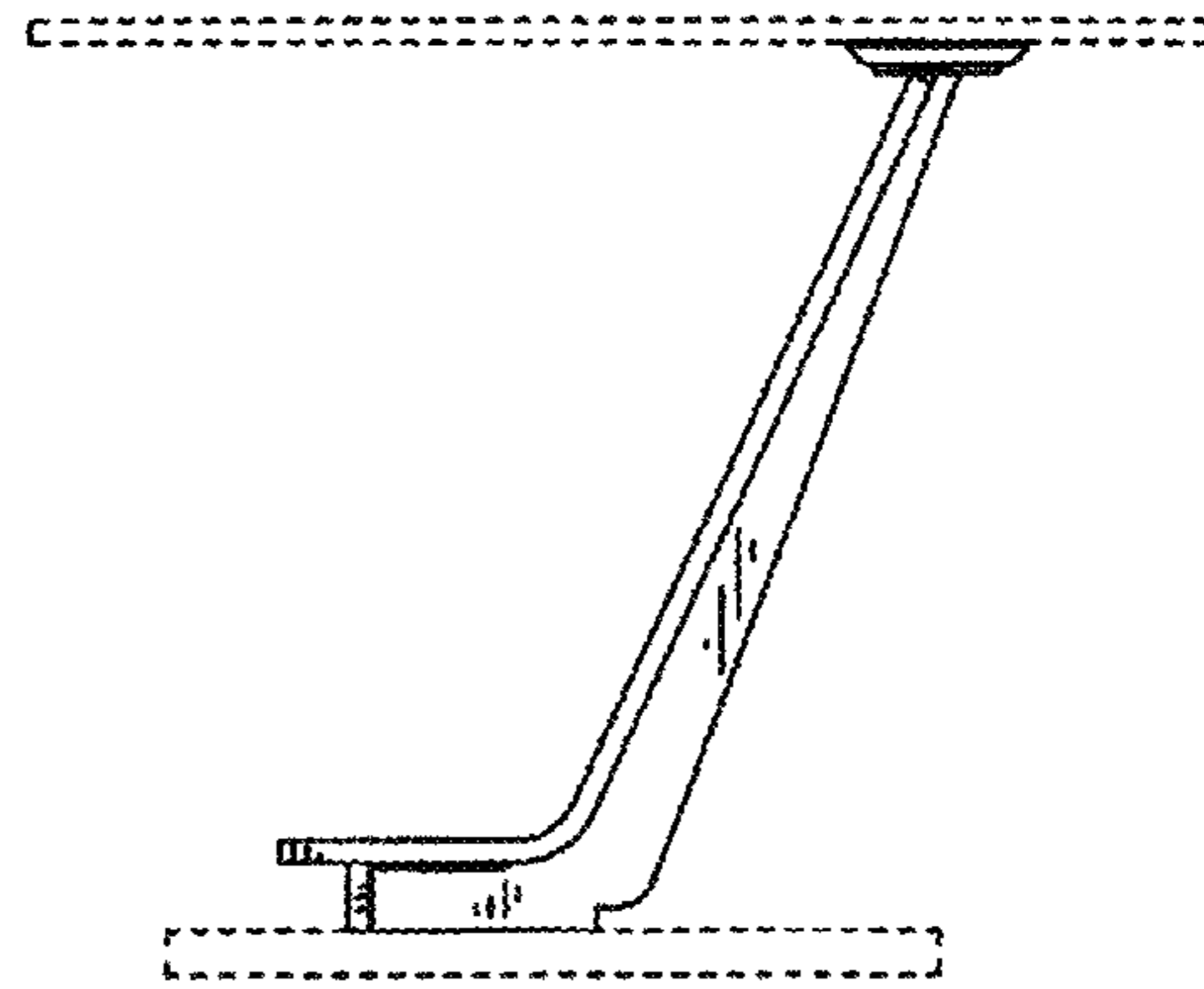
**FIG. 8**



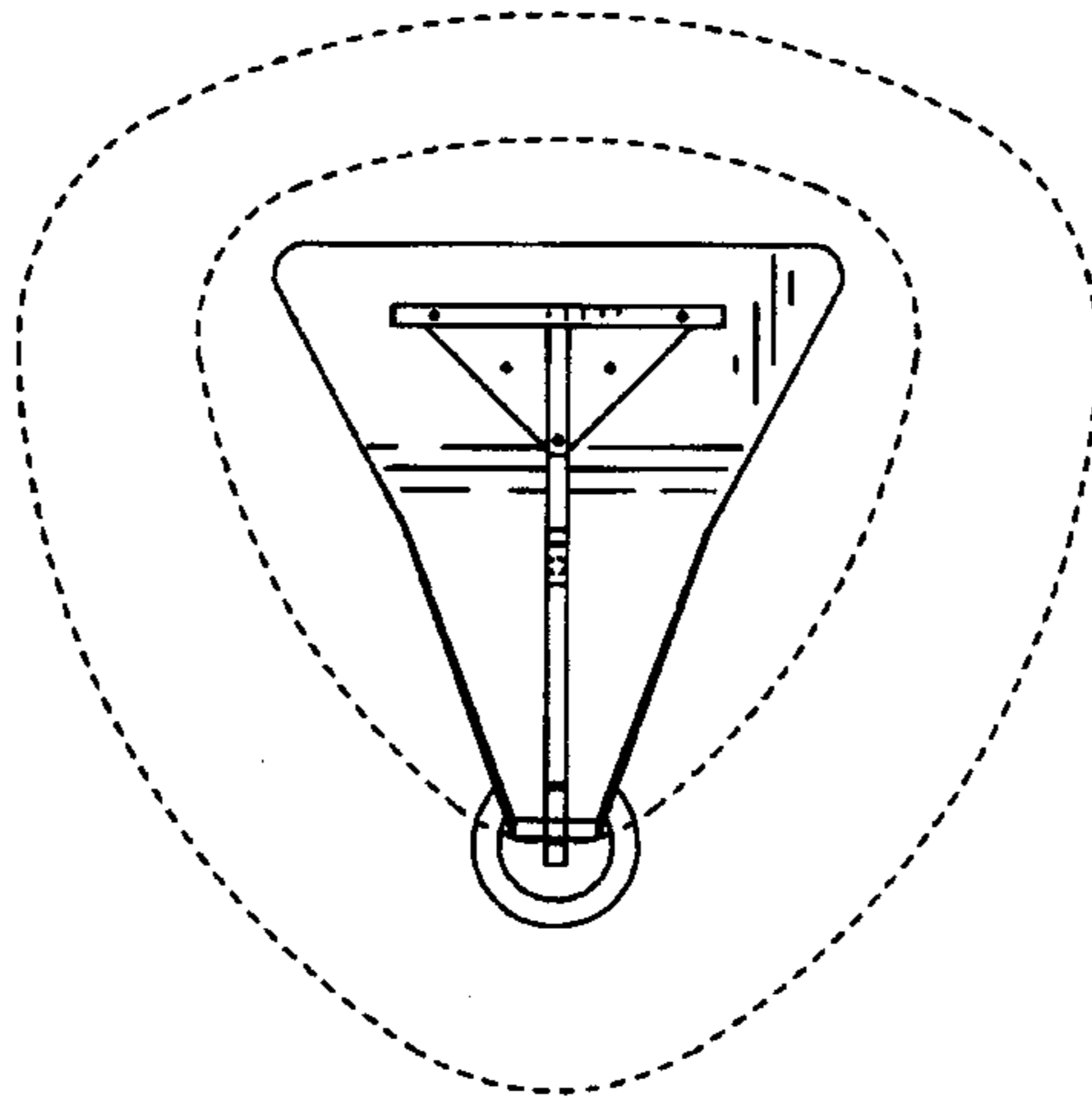
**FIG. 7**



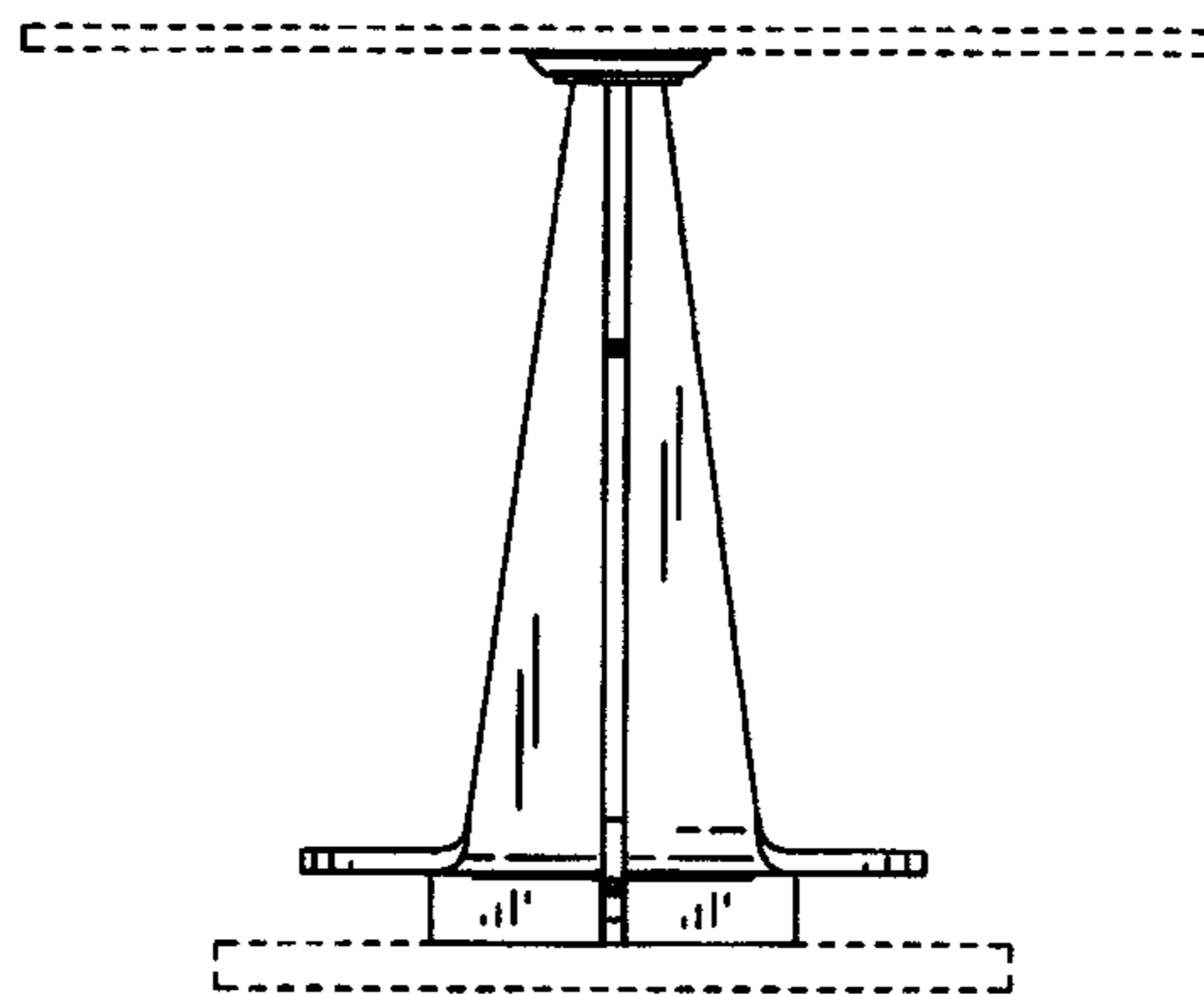
**FIG. 9**



**FIG. 10**



**FIG. 11**



**FIG. 12**