



US00D766633S

(12) **United States Design Patent**
Akana et al.

(10) **Patent No.:** **US D766,633 S**
(45) **Date of Patent:** **** Sep. 20, 2016**

(54) **TABLE**

(71) Applicant: **Apple Inc.**, Cupertino, CA (US)

(72) Inventors: **Jody Akana**, San Francisco, CA (US);
Bartley K. Andre, Palo Alto, CA (US);
Shota Aoyagi, San Francisco, CA (US);
Anthony Michael Ashcroft, San Francisco, CA (US);
Jeremy Bataillou, San Francisco, CA (US);
Daniel J. Coster, San Francisco, CA (US);
Daniele De Iullis, San Francisco, CA (US);
Christopher M. Green, Woodside, CA (US);
M. Evans Hankey, San Francisco, CA (US);
Julian Hoenig, San Francisco, CA (US);
Richard P. Howarth, San Francisco, CA (US);
Jonathan P. Ive, San Francisco, CA (US);
Duncan Robert Kerr, San Francisco, CA (US);
Kully Kraig Mandon, San Francisco, CA (US);
Matthew Dean Rohrbach, San Francisco, CA (US);
Peter Russell-Clarke, San Francisco, CA (US);
Benjamin Andrew Shaffer, San Jose, CA (US);
Jonathan P. Siegel, San Francisco, CA (US);
Mikael Silvano, San Francisco, CA (US);
Christopher J. Stringer, Woodside, CA (US);
Eugene Antony Whang, San Francisco, CA (US);
Rico Zörkendörfer, San Francisco, CA (US)

(73) Assignee: **Apple Inc.**, Cupertino, CA (US)

(**) Term: **14 Years**

(21) Appl. No.: **29/501,841**

(22) Filed: **Sep. 9, 2014**

Related U.S. Application Data

(63) Continuation of application No. 29/500,951, filed on Aug. 29, 2014, which is a continuation-in-part of

application No. 29/495,788, filed on Jul. 3, 2014, which is a continuation of application No. 29/493,879, filed on Jun. 13, 2014.

(51) **LOC (10) CI.** **06-03**

(52) **U.S. CI.**
USPC **D6/702**

(58) **Field of Classification Search**
USPC D6/682.2, 682.4, 685, 686, 691, 691.1,
D6/694, 698.1, 702, 707, 707.18, 707.19;
D21/397

CPC A47B 7/00; A47B 9/00; A47B 2009/006;
A47B 13/00; A47B 13/003; A47B 13/08;
A47B 13/088

See application file for complete search history.

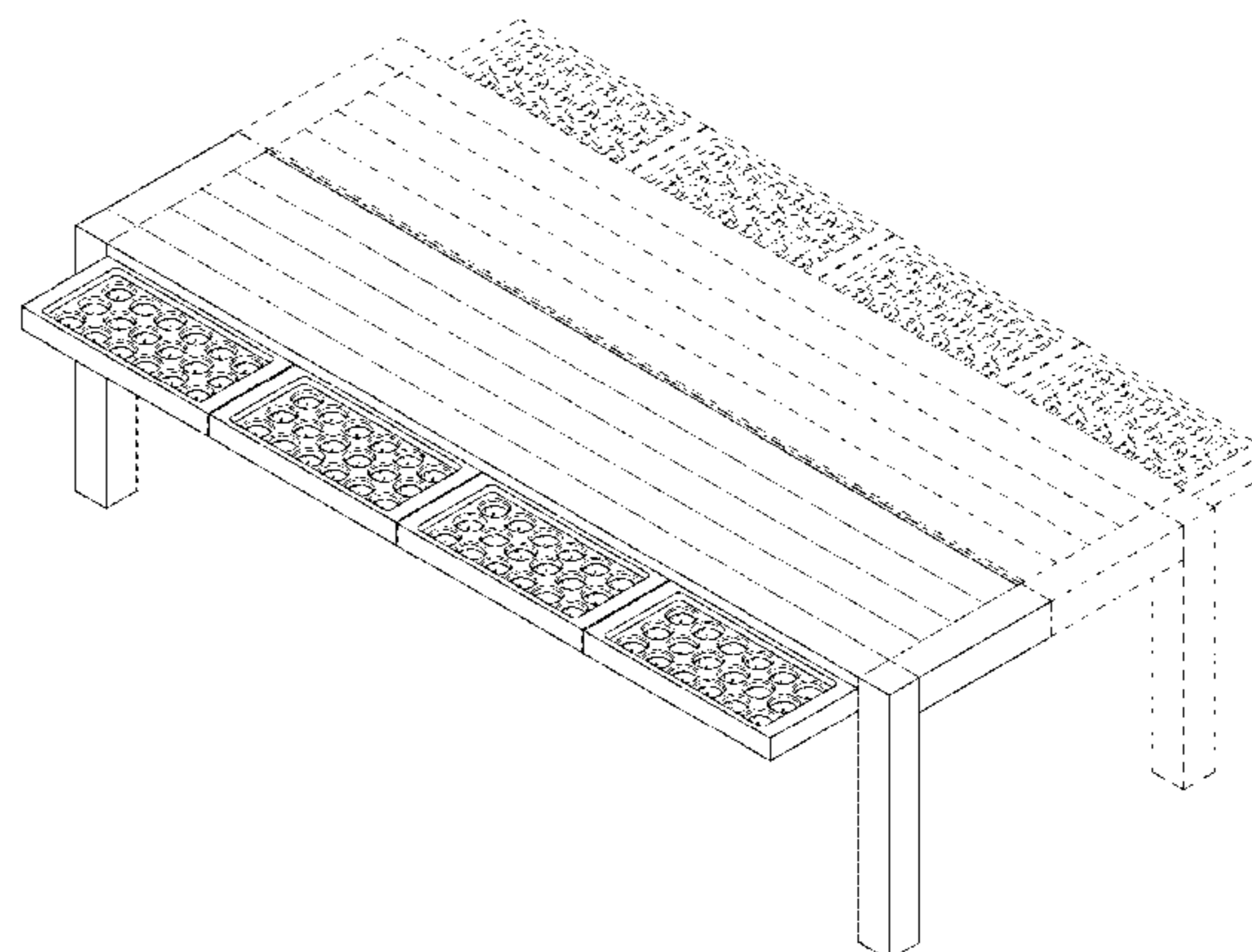
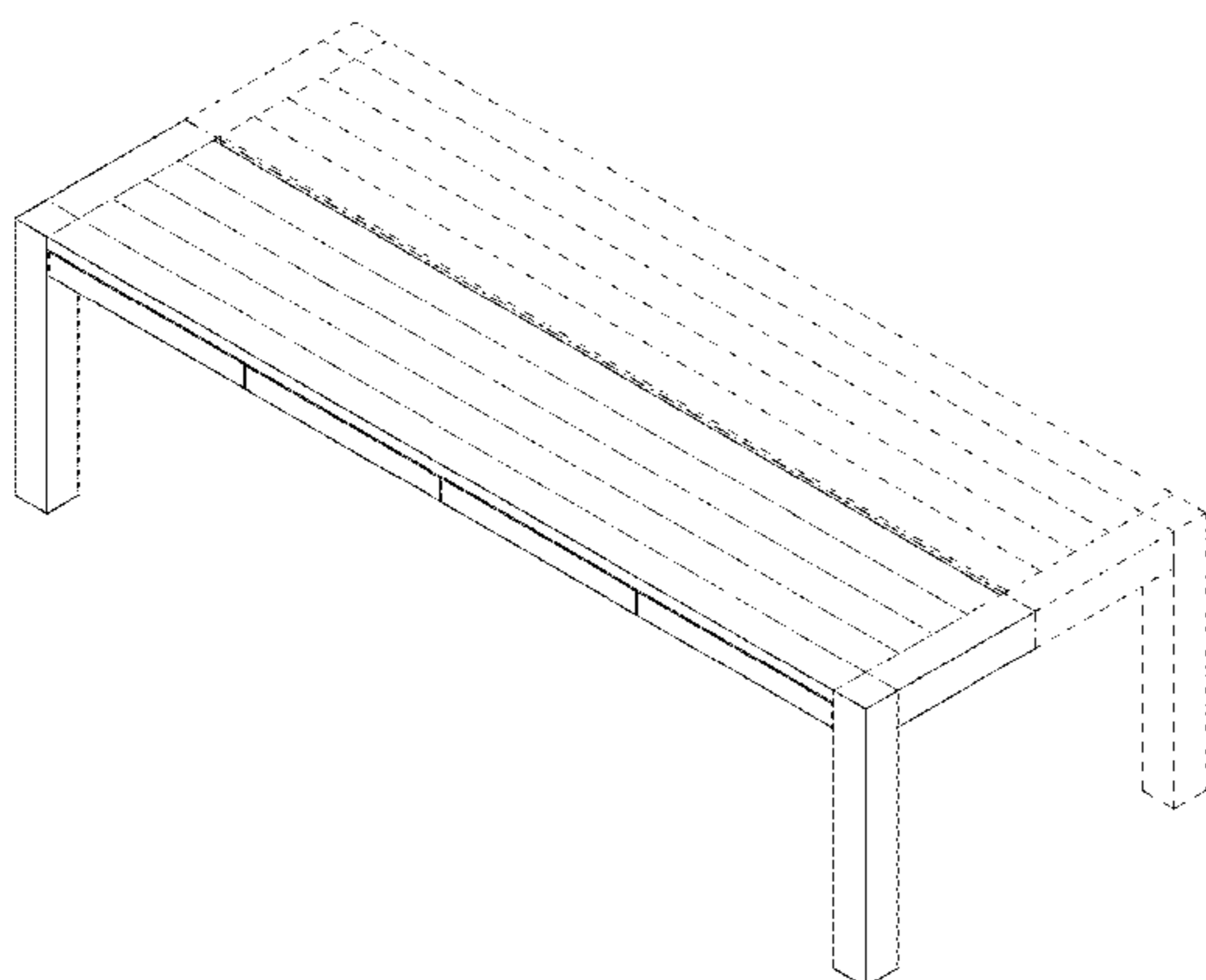
(56) **References Cited**

U.S. PATENT DOCUMENTS

D90,849 S *	10/1933	Kayser	D6/691.1
D96,986 S *	9/1935	Jewell	D21/397
D414,354 S *	9/1999	Gower	D6/691.1
D442,391 S *	5/2001	Wu	D6/691.1
D448,211 S *	9/2001	Schulte	D6/686
D484,717 S *	1/2004	de Blois	D6/691
D522,274 S	6/2006	Coval		
D527,928 S *	9/2006	Spector	D6/691.1
D591,079 S	4/2009	Singler et al.		
D591,979 S	5/2009	Singler et al.		
D657,978 S	4/2012	Hamm et al.		
D678,696 S	3/2013	Hamm et al.		
D679,521 S	4/2013	Hamm et al.		
D688,494 S	8/2013	Hamm et al.		
D693,156 S	11/2013	Hamm et al.		
D713,658 S	9/2014	Tio et al.		
D724,388 S *	3/2015	Smeja	D24/229
D742,666 S *	11/2015	Akana	D6/682.2

OTHER PUBLICATIONS

U.S. Appl. No. 29/432,722, filed Sep. 19, 2012.
U.S. Appl. No. 29/469,978, filed Oct. 16, 2013.
U.S. Appl. No. 29/471,331, filed Oct. 30, 2013.
U.S. Appl. No. 29/489,107, filed Apr. 25, 2014.
U.S. Appl. No. 29/493,878, filed Jun. 13, 2014.
U.S. Appl. No. 29/493,879, filed Jun. 13, 2014.
U.S. Appl. No. 29/495,788, filed Jul. 3, 2014.
U.S. Appl. No. 29/499,677, filed Aug. 18, 2014.
U.S. Appl. No. 29/500,951, filed Aug. 29, 2014.



U.S. Appl. No. 29/501,029, filed Aug. 29, 2014.

Neil Hughes, "Apple retail stores 'bulging at the seams' at 8400 average square feet," *Appleinsider.com*, dated May 8, 2012, accessed at <http://appleinsider.com/articles/12/05/08/apple_retail_stores_bulging_at_the_seams_at_8400_average_square_feet>, accessed on Oct. 10, 2014, 2 pages.

Valentina Palladino, "Apple Store Receives Trademark for 'Distinctive Design and Layout,'" *Wired.com*, dated Jan. 30, 2013, accessed at <<http://www.wired.com/2013/01/apple-store-trademark/>>, accessed on Oct. 10, 2014, 2 pages.

* cited by examiner

Primary Examiner — Mary Ann Calabrese

(74) *Attorney, Agent, or Firm* — Sterne, Kessler, Goldstein & Fox P.L.L.C.

(57) **CLAIM**

The ornamental design for a table, as shown and described.

DESCRIPTION

FIG. 1 is a front perspective view of a table showing our new design in a closed configuration;

FIG. 2 is a rear perspective view thereof in a closed configuration;

FIG. 3 is a front view thereof in a closed configuration;

FIG. 4 is a rear view thereof in a closed configuration;

FIG. 5 is a right side view thereof in a closed configuration;

FIG. 6 is a left side view thereof in a closed configuration;

FIG. 7 is a top view thereof in a closed configuration;

FIG. 8 is a bottom view thereof in a closed configuration;

FIG. 9 is a front perspective view thereof in an open configuration;

FIG. 10 is a rear perspective view thereof in an open configuration;

FIG. 11 is a front view thereof in an open configuration;

FIG. 12 is a rear view thereof in an open configuration;

FIG. 13 is a right side view thereof in an open configuration;

FIG. 14 is a left side view thereof in an open configuration;

FIG. 15 is a top view thereof in an open configuration; and,

FIG. 16 is a bottom view thereof in an open configuration.

The broken lines in the Figures show portions of the table that form no part of the claimed design.

The dot-dash lines show unclaimed boundaries that form no part of the claimed design.

1 Claim, 14 Drawing Sheets

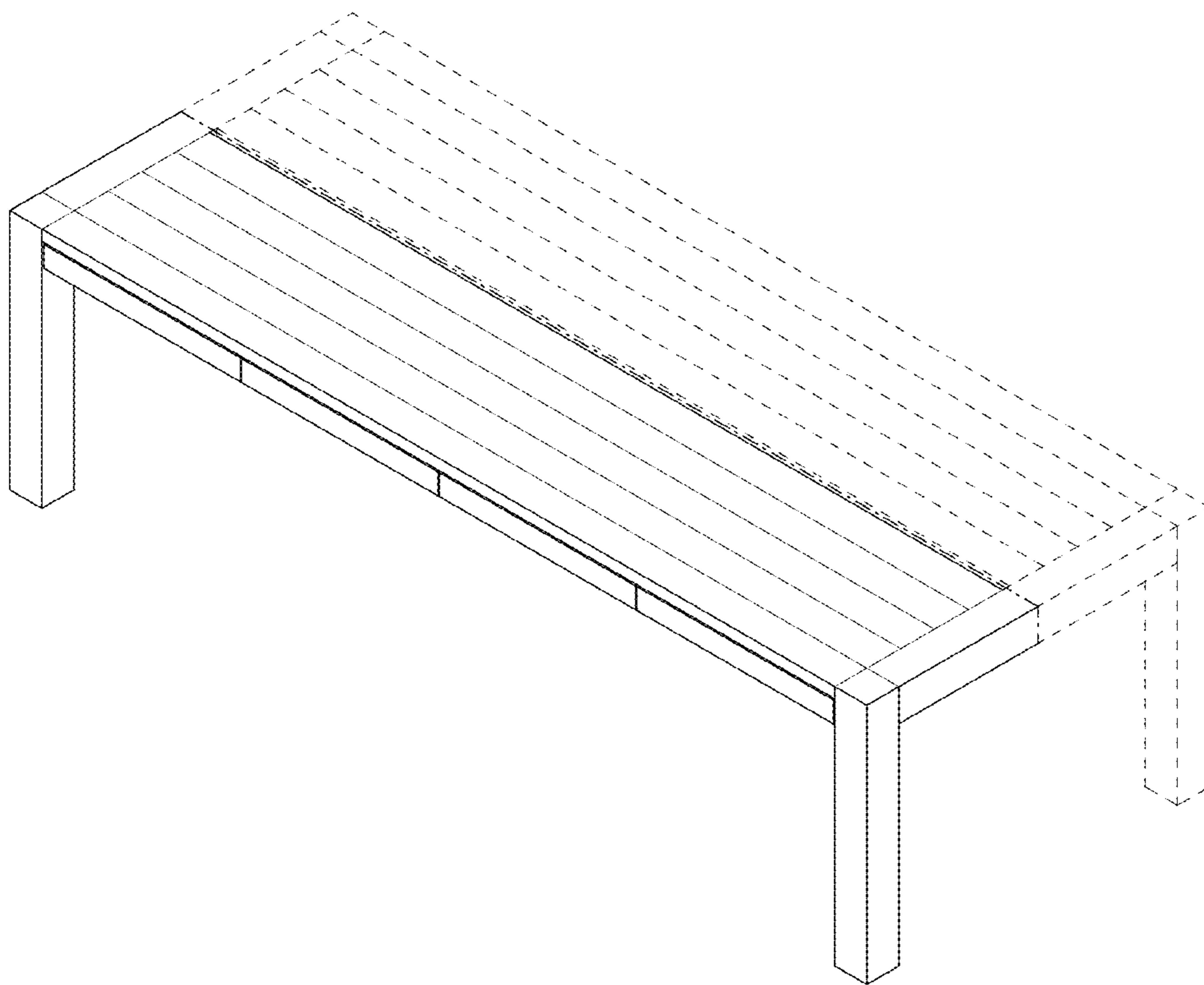


FIG. 1

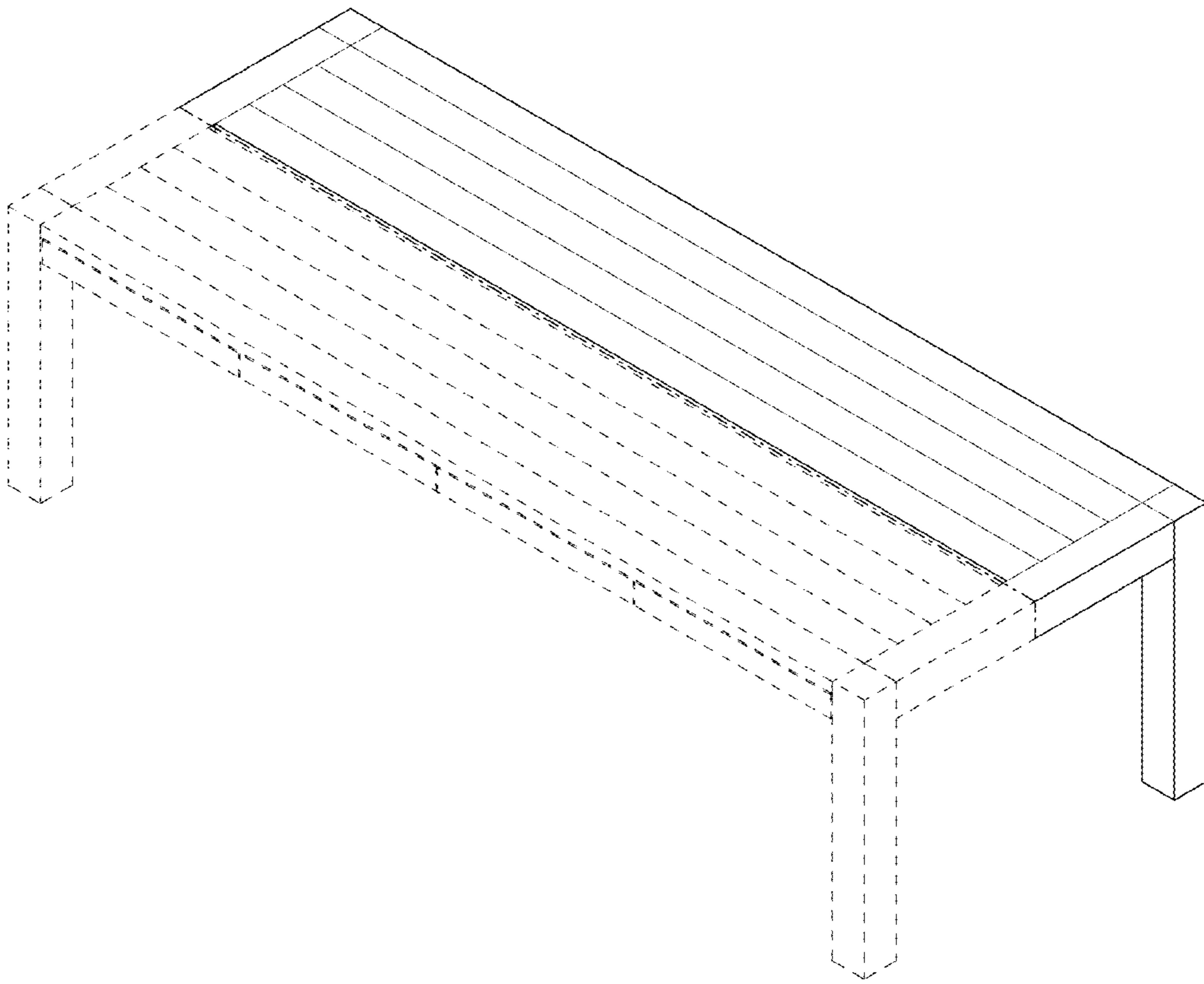


FIG. 2

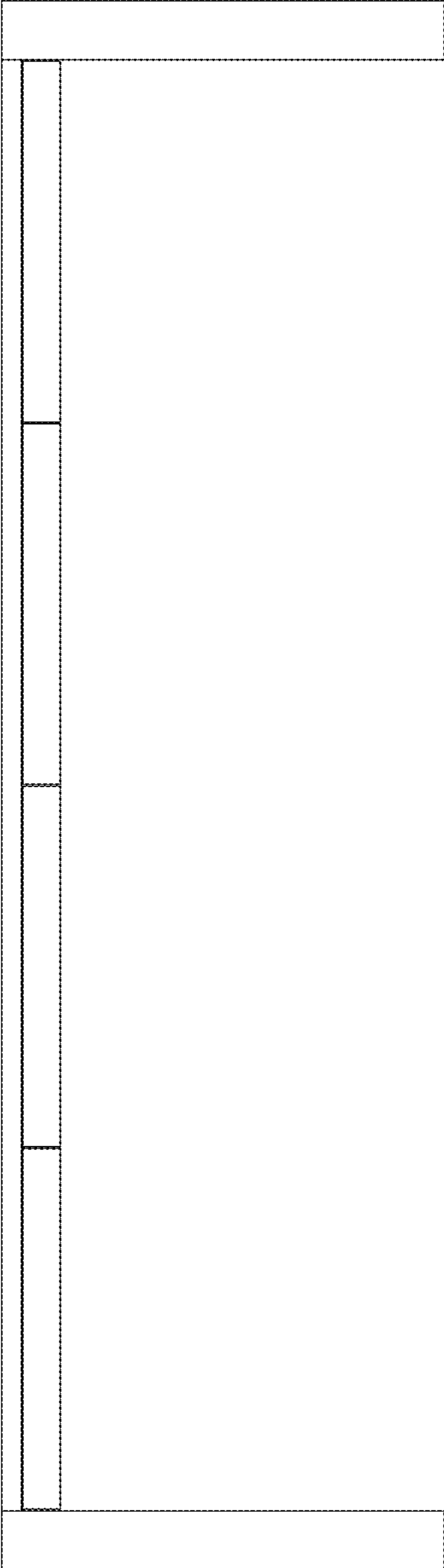


FIG. 3

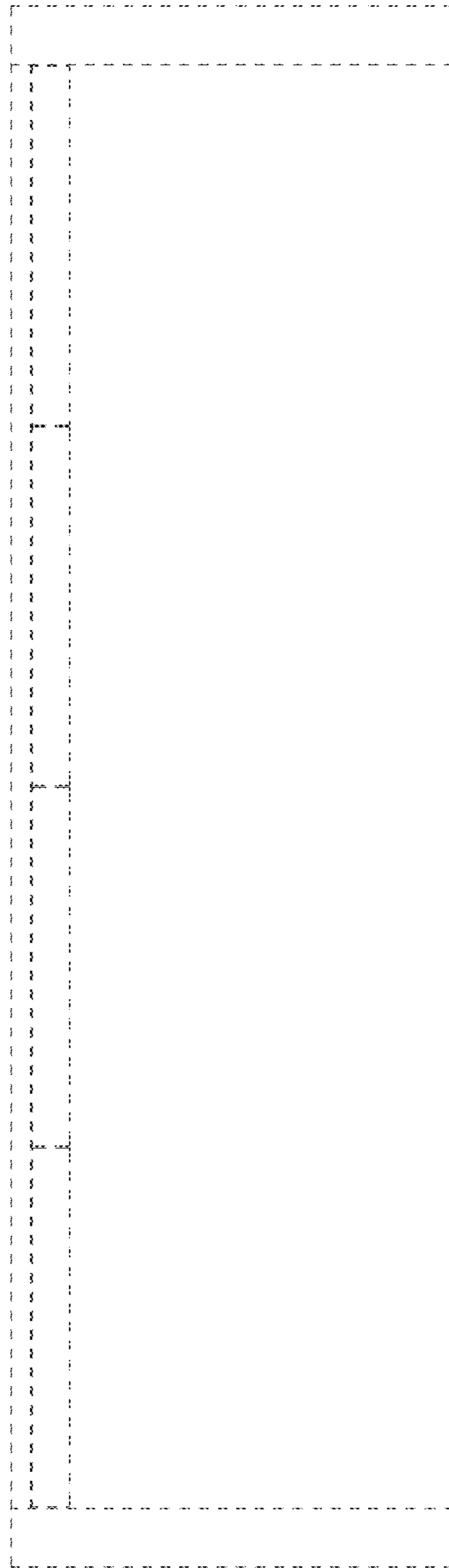


FIG. 4

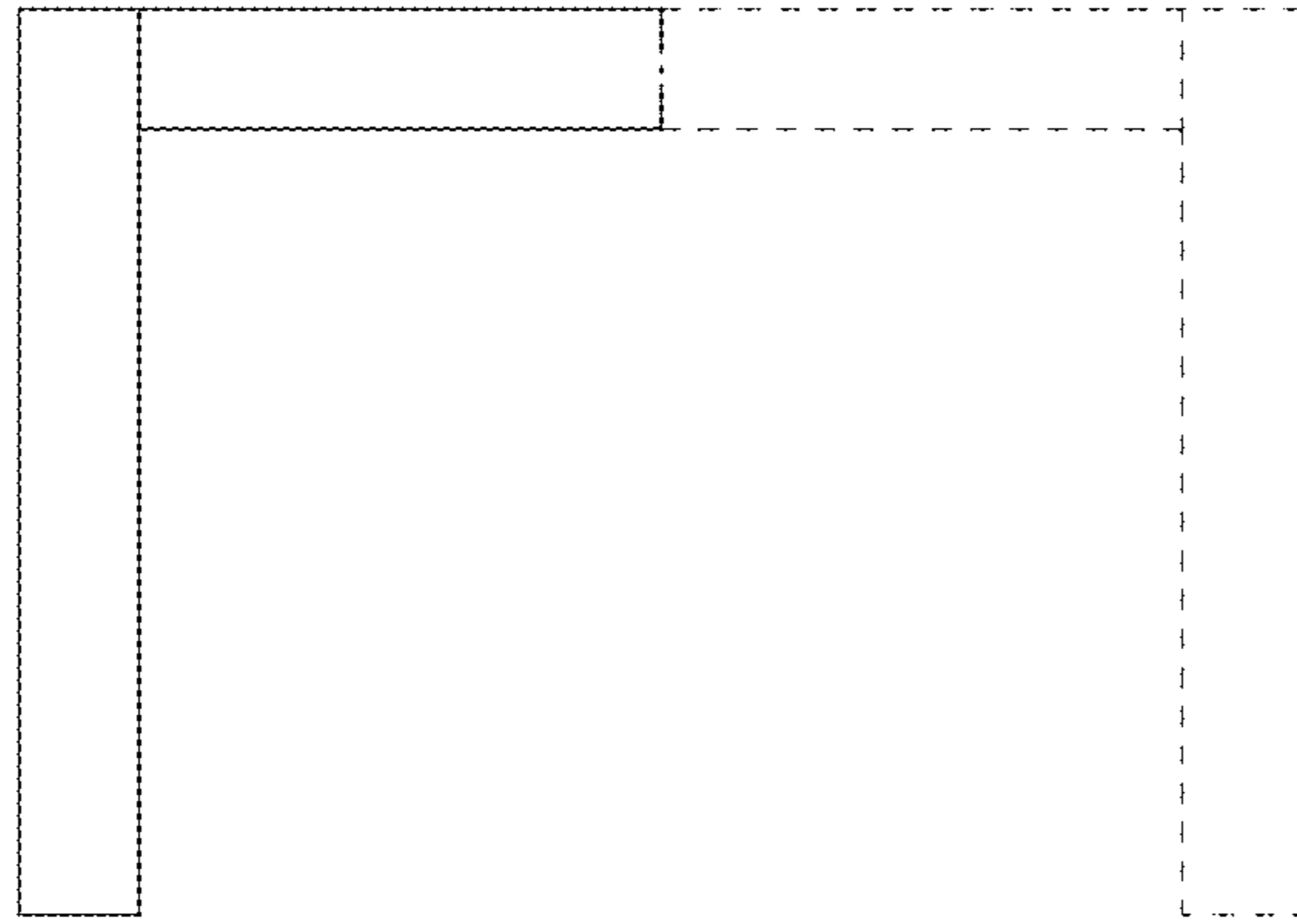


FIG. 5

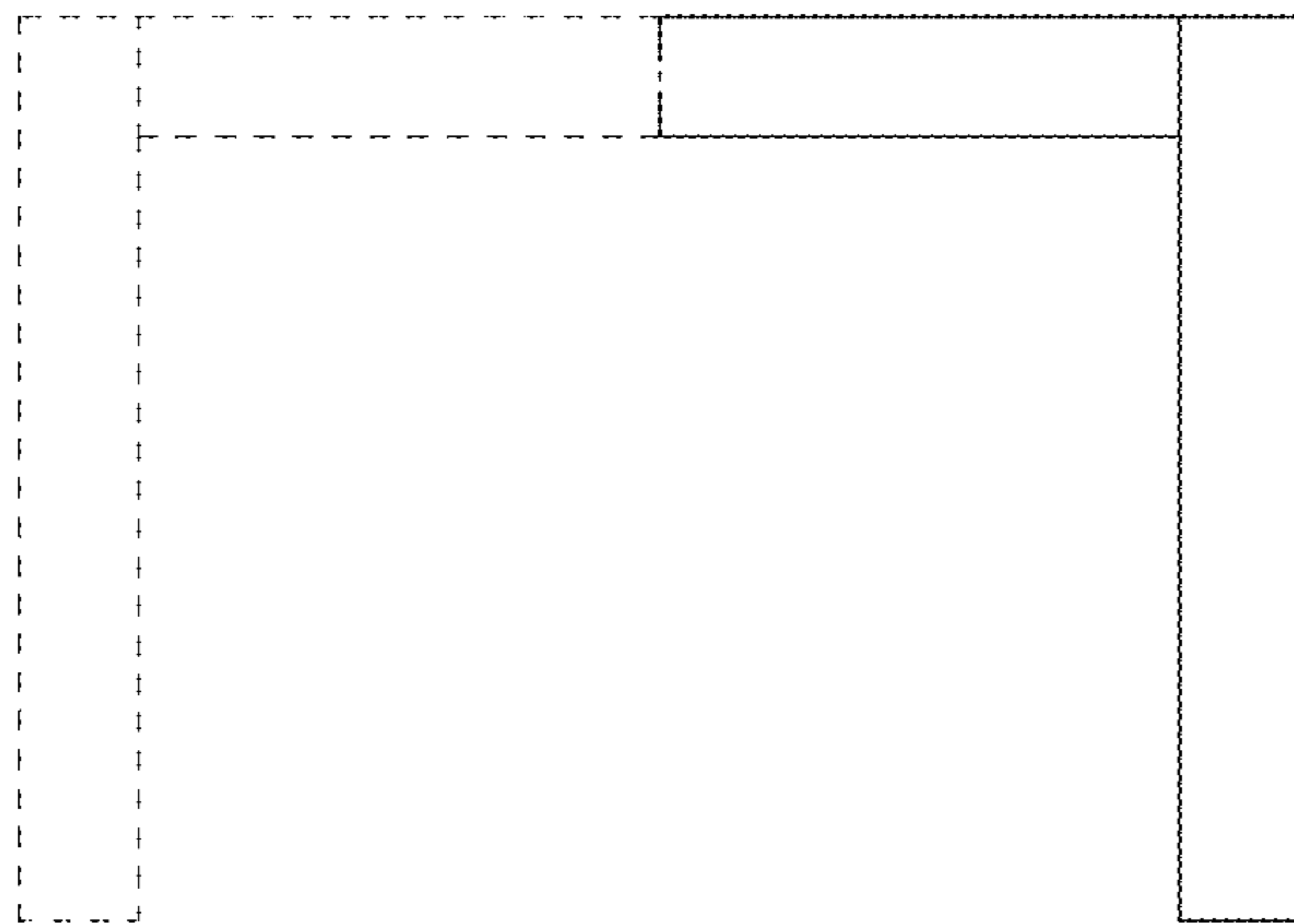


FIG. 6

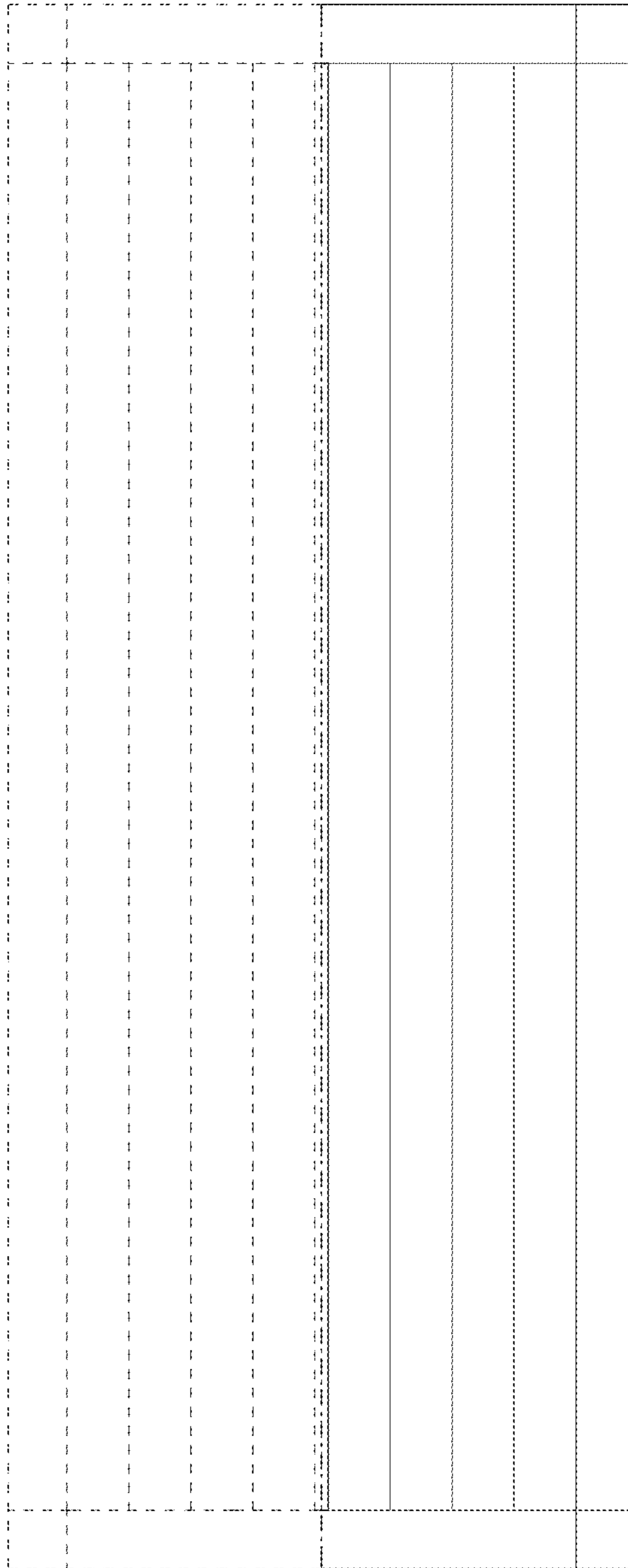


FIG. 7

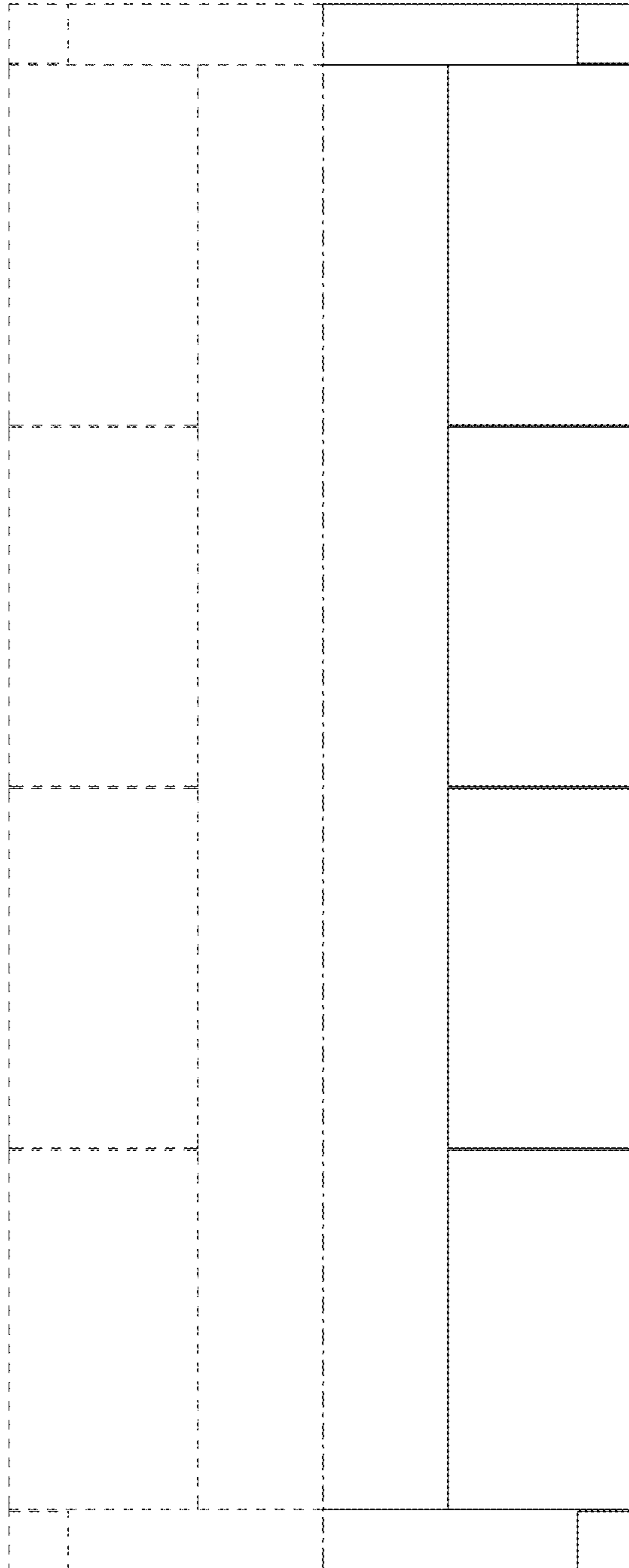


FIG. 8

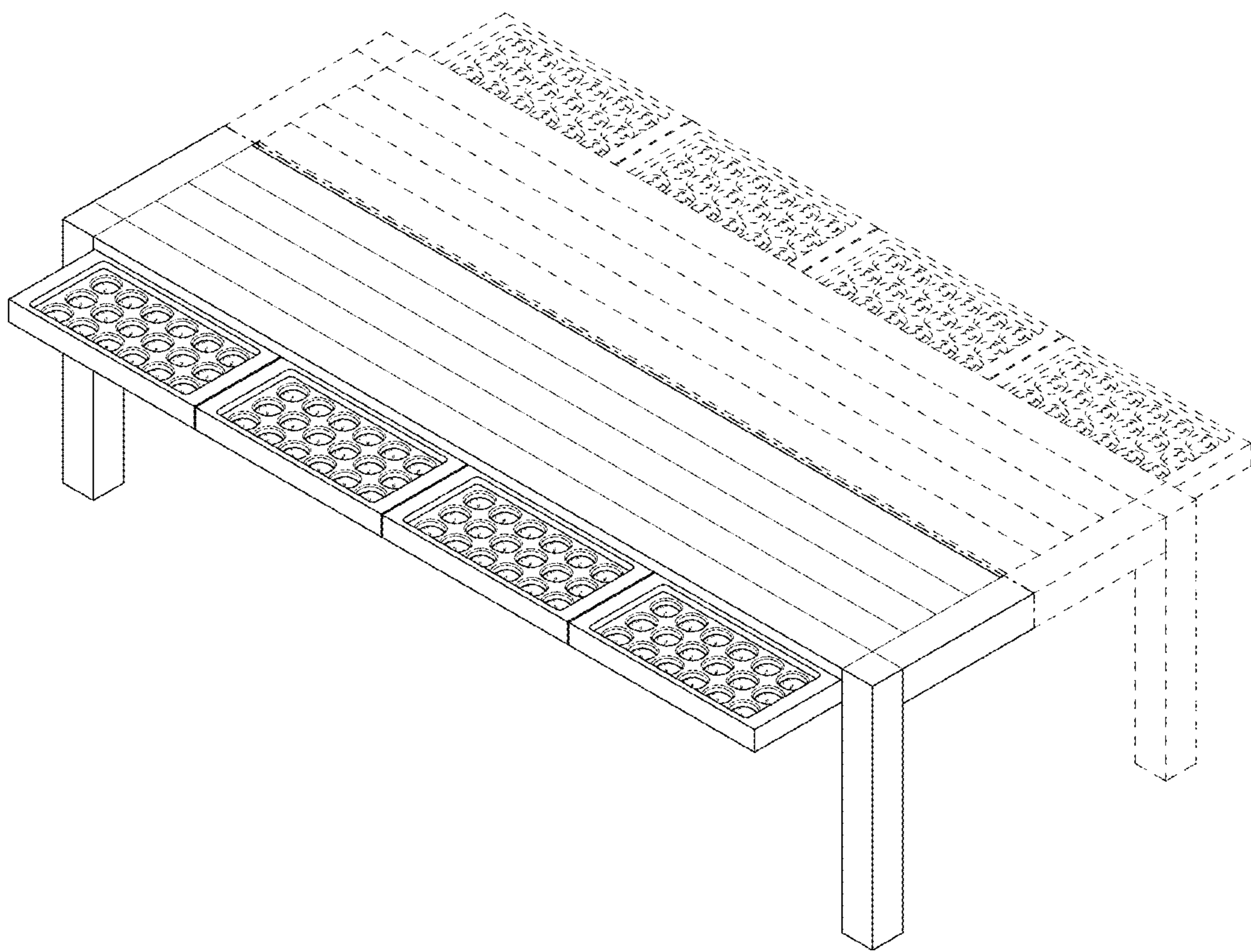


FIG. 9

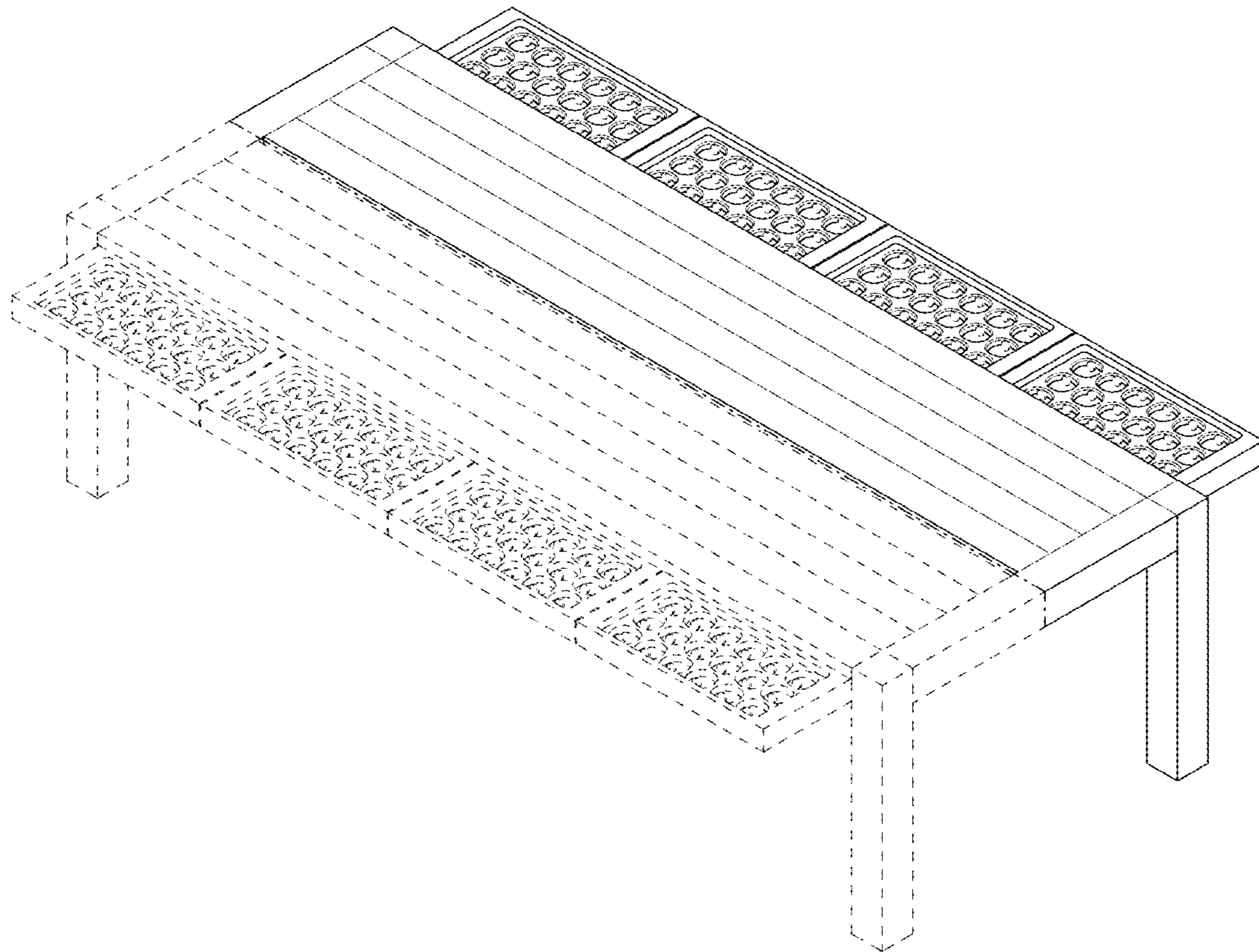


FIG. 10

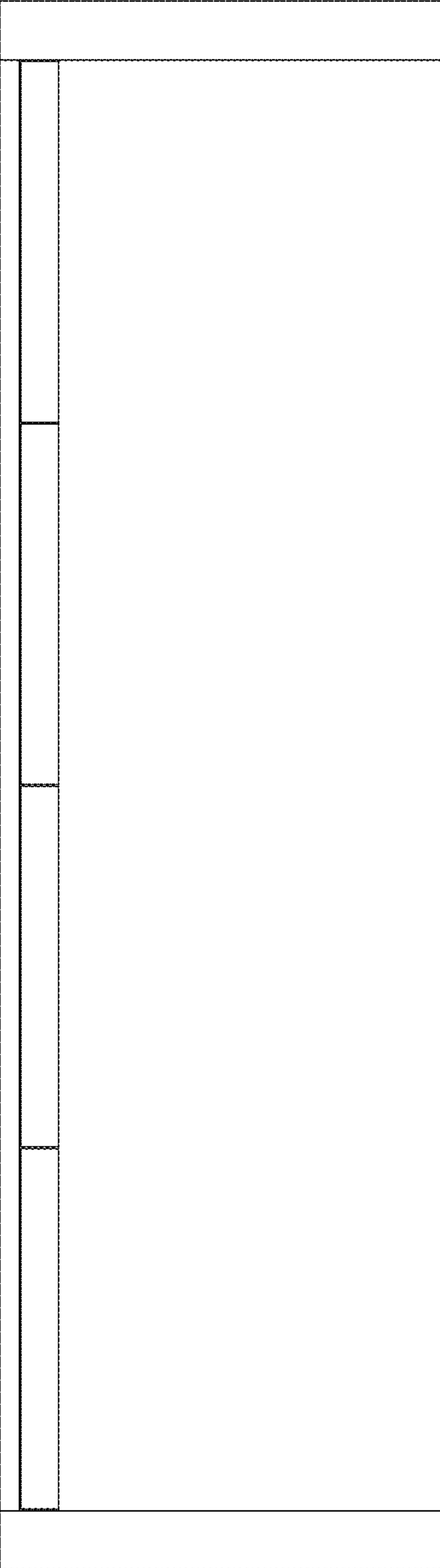


FIG. 11



FIG. 12

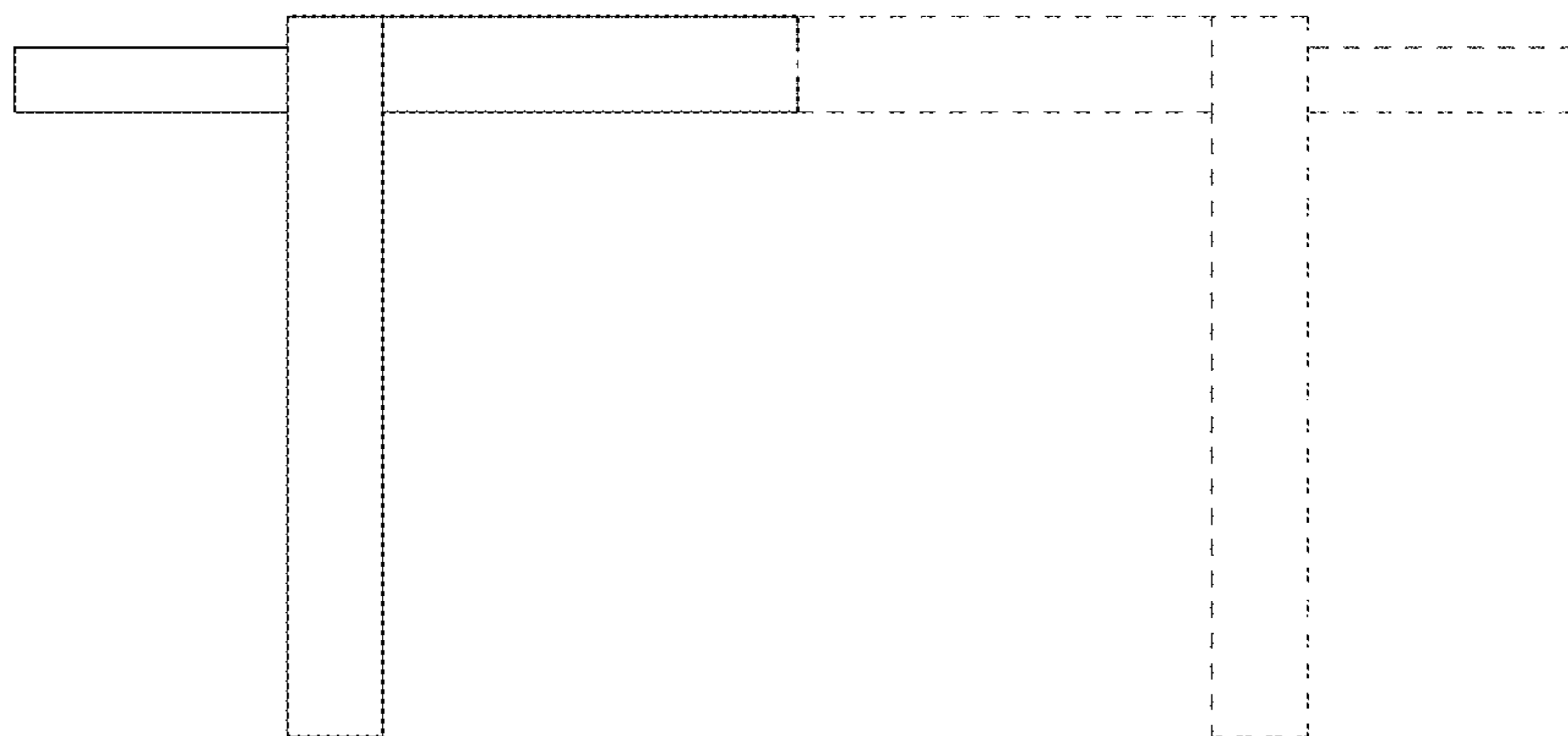


FIG. 13

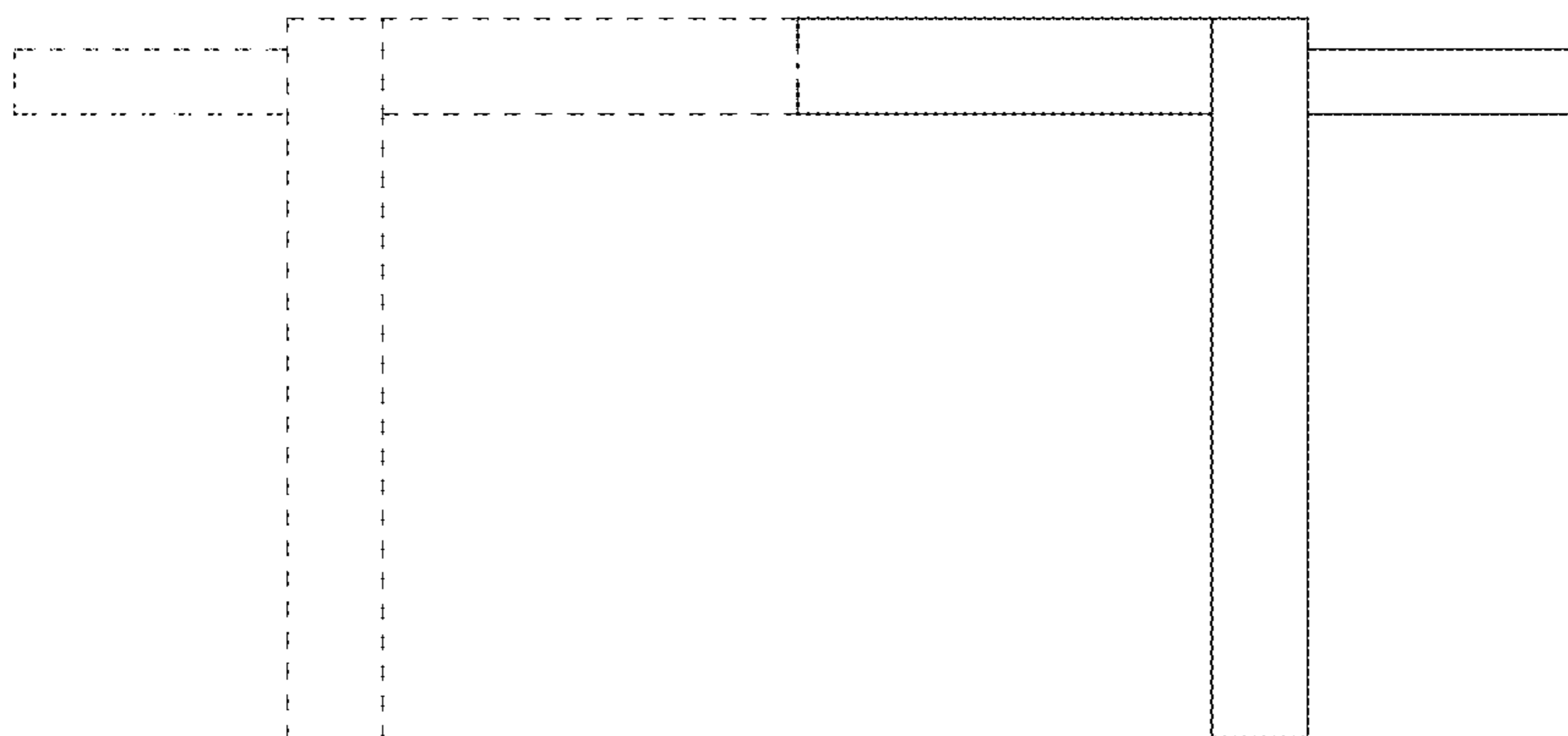


FIG. 14

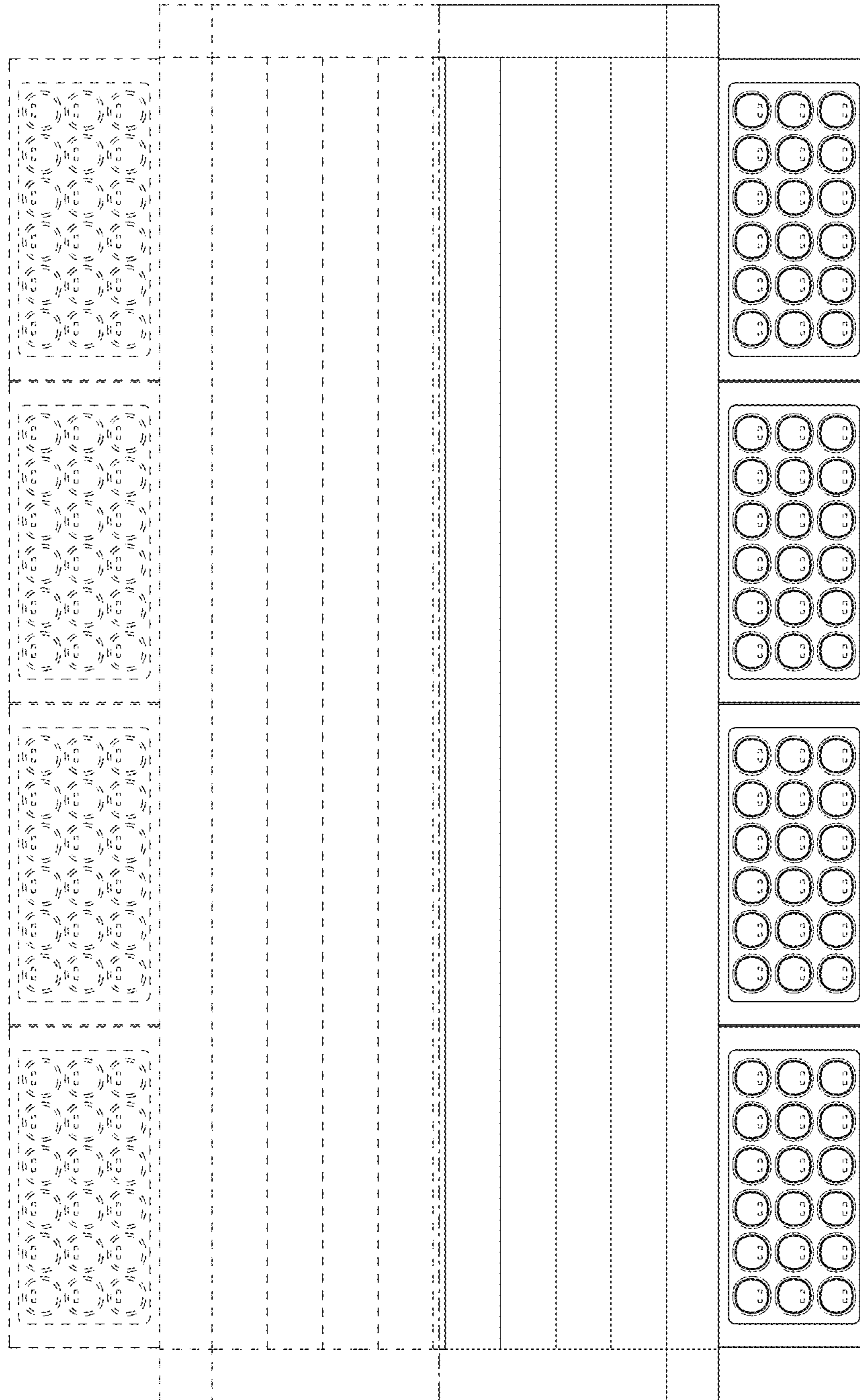


FIG. 15

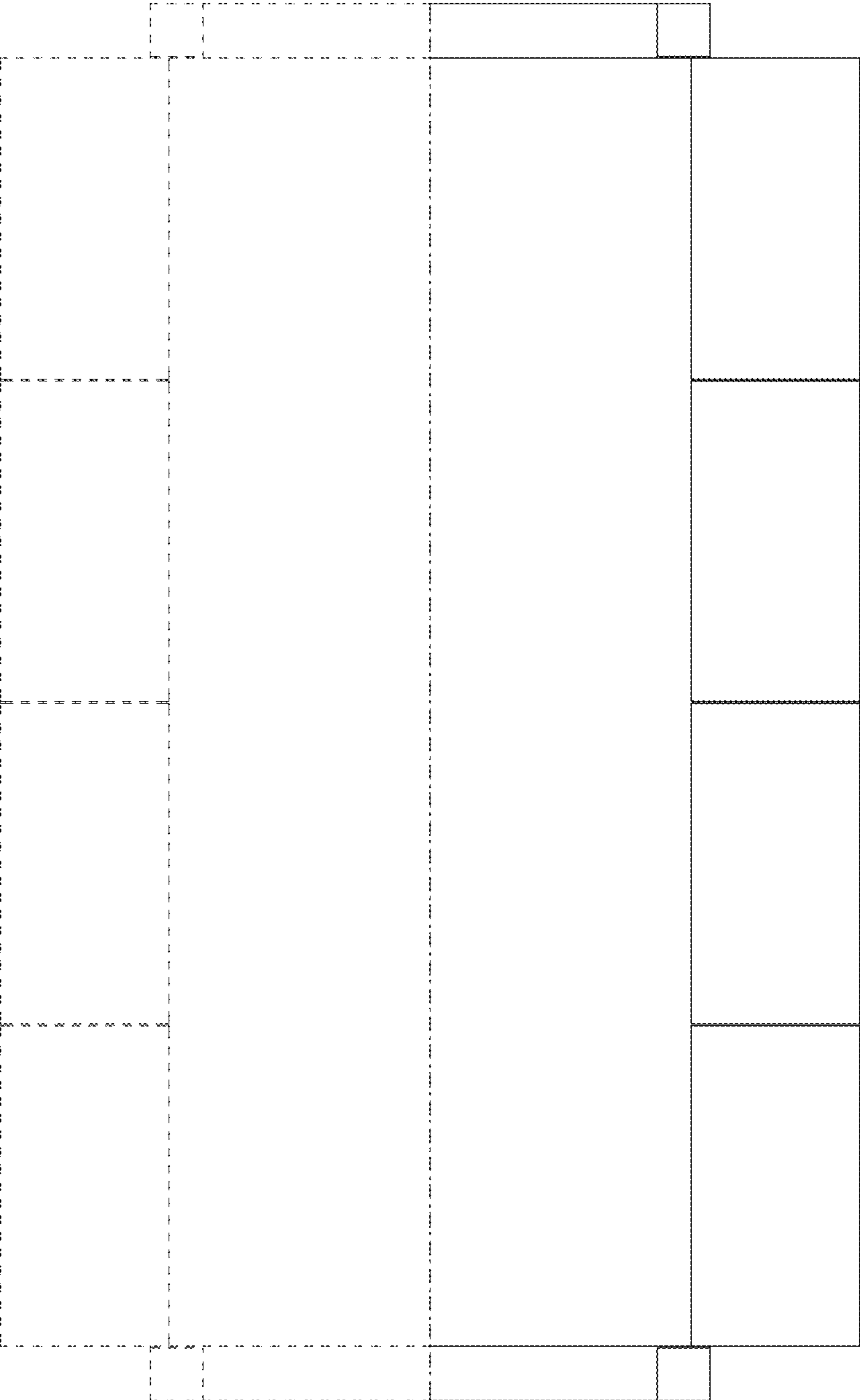


FIG. 16