

US00D766630S

(12) **United States Design Patent** (10) **Patent No.:** **US D766,630 S**  
**Akana et al.** (45) **Date of Patent:** **\*\* Sep. 20, 2016**

(54) **TABLE**

(71) Applicant: **Apple Inc.**, Cupertino, CA (US)

(72) Inventors: **Jody Akana**, San Francisco, CA (US);  
**Bartley K. Andre**, Palo Alto, CA (US);  
**Shota Aoyagi**, San Francisco, CA (US);  
**Anthony Michael Ashcroft**, San Francisco, CA (US);  
**Jeremy Bataillou**, San Francisco, CA (US);  
**Daniel J. Coster**, San Francisco, CA (US);  
**Daniele De Iuliis**, San Francisco, CA (US);  
**Christopher M. Green**, Woodside, CA (US);  
**M. Evans Hankey**, San Francisco, CA (US);  
**Julian Hoenig**, San Francisco, CA (US);  
**Richard P. Howarth**, San Francisco, CA (US);  
**Jonathan P. Ive**, San Francisco, CA (US);  
**Duncan Robert Kerr**, San Francisco, CA (US);  
**Kully Kraig Mandon**, San Francisco, CA (US);  
**Matthew Dean Rohrbach**, San Francisco, CA (US);  
**Peter Russell-Clarke**, San Francisco, CA (US);  
**Benjamin Andrew Shaffer**, San Jose, CA (US);  
**Jonathan P. Siegel**, San Francisco, CA (US);  
**Mikael Silvano**, San Francisco, CA (US);  
**Christopher J. Stringer**, Woodside, CA (US);  
**Eugene Antony Whang**, San Francisco, CA (US);  
**Rico Zörkendörfer**, San Francisco, CA (US)

(73) Assignee: **Apple Inc.**, Cupertino, CA (US)

(\*\*) Term: **14 Years**

(21) Appl. No.: **29/493,879**

(22) Filed: **Jun. 13, 2014**

(51) **LOC (10) Cl.** ..... **06-03**

(52) **U.S. Cl.**  
USPC ..... **D6/691.1**

(58) **Field of Classification Search**  
USPC ..... D6/685, 686, 691, 691.1, 694, 698.1,  
D6/702, 707, 707.18, 707.19; D21/397  
CPC .... A47B 7/00; A47B 9/00; A47B 2009/006;  
A47B 13/00; A47B 13/003; A47B 13/08;  
A47B 13/088

See application file for complete search history.

(56) **References Cited**

U.S. PATENT DOCUMENTS

D90,849 S \* 10/1933 Kayser ..... D6/691.1  
D96,986 S \* 9/1935 Jewell ..... D21/397

(Continued)

OTHER PUBLICATIONS

Neil Hughes, "Apple retail stores 'bulging at the seams' at 8400 average square feet," *Appleinsider.com*, dated May 8, 2012, accessed at <[http://appleinsider.com/articles/12/05/08/apple\\_retail\\_stores\\_bulging\\_at\\_the\\_seams\\_at\\_8400\\_average\\_square\\_feet](http://appleinsider.com/articles/12/05/08/apple_retail_stores_bulging_at_the_seams_at_8400_average_square_feet)>, accessed on Oct. 20, 2014, 2 pages.

(Continued)

*Primary Examiner* — Mary Ann Calabrese

(74) *Attorney, Agent, or Firm* — Sterne, Kessler, Goldstein & Fox P.L.L.C.

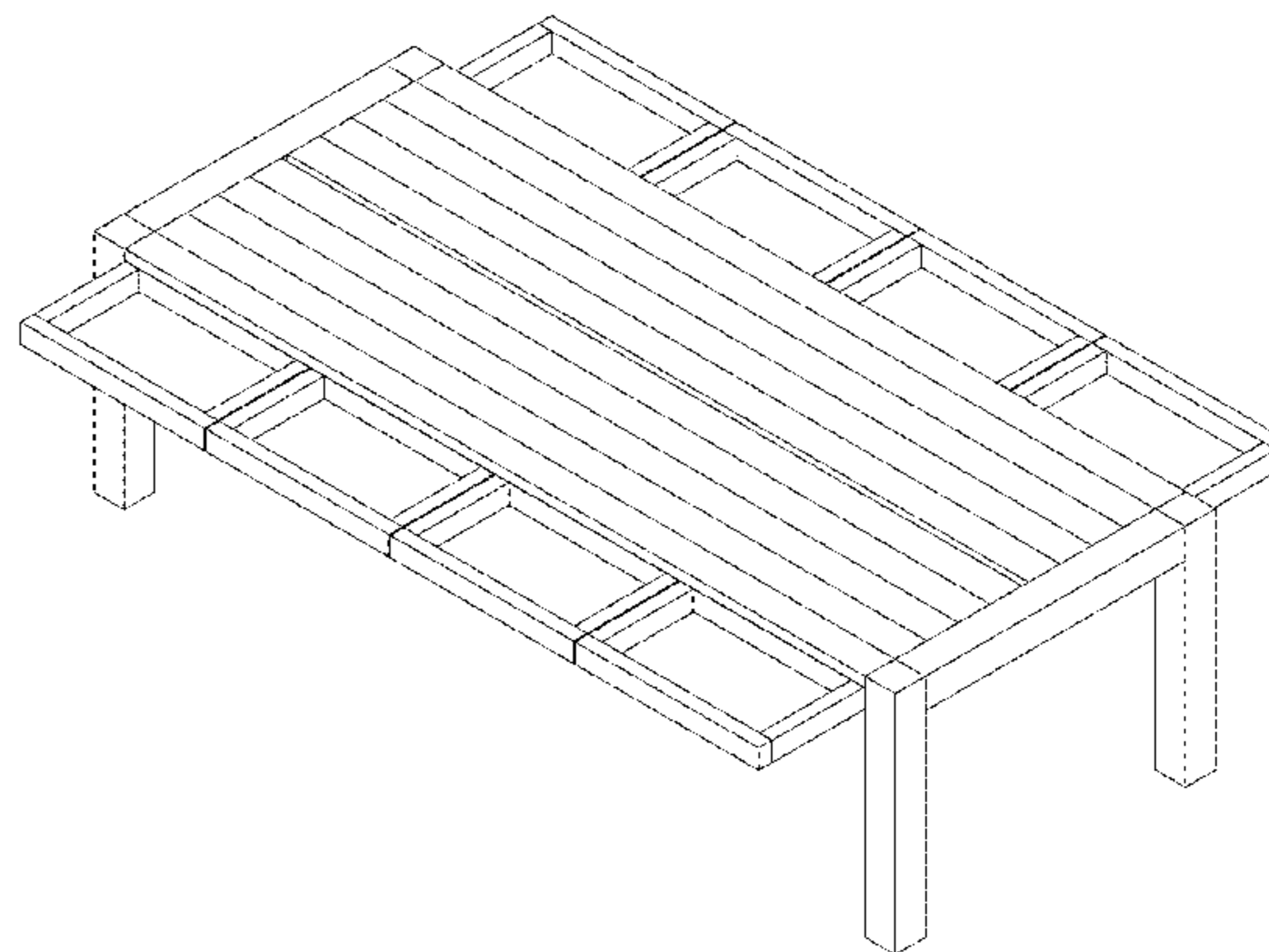
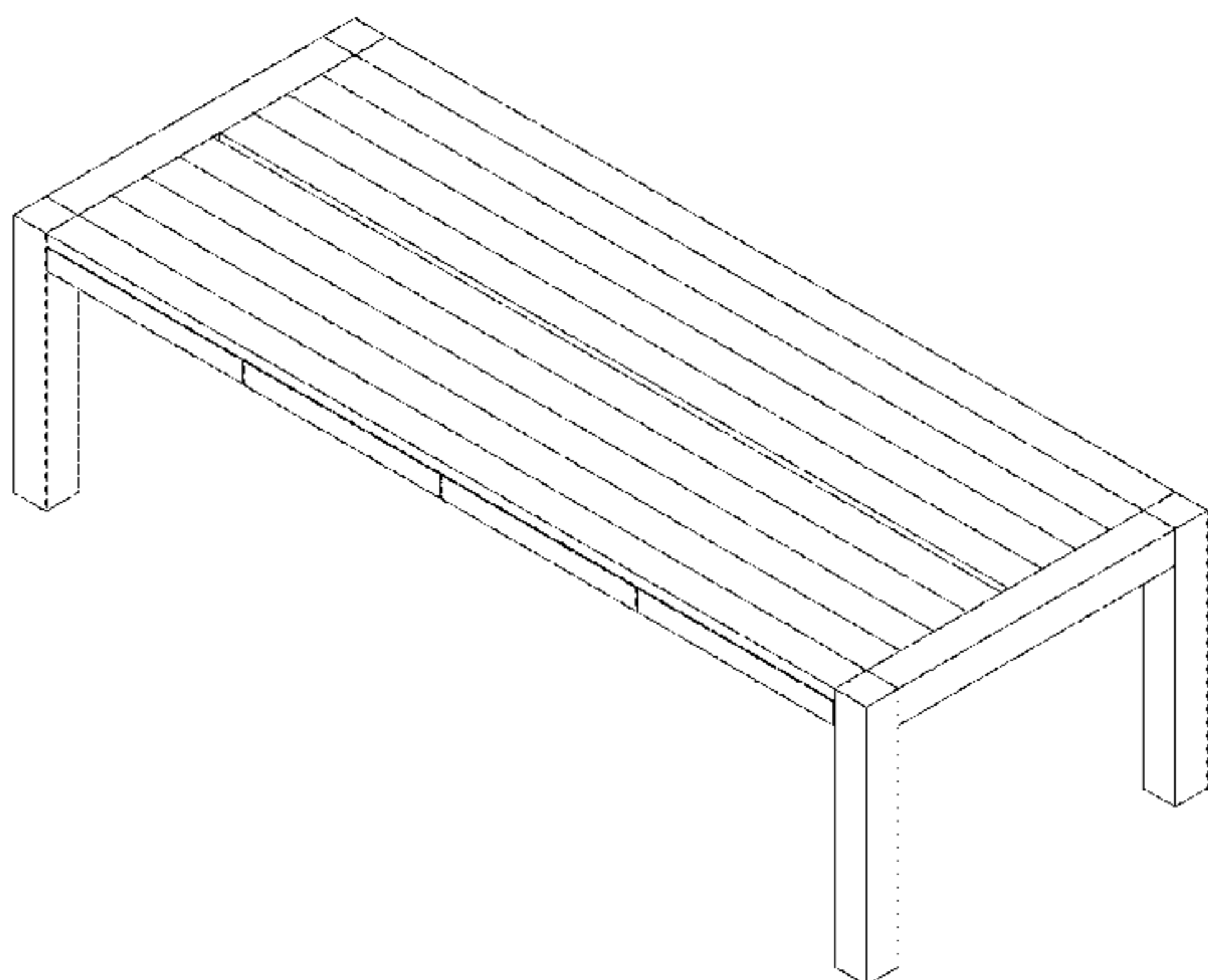
(57) **CLAIM**

The ornamental design for a table, as shown and described.

**DESCRIPTION**

FIG. 1 is a front perspective view of a table showing our new design in a closed configuration;  
FIG. 2 is a rear perspective view thereof in a closed configuration;  
FIG. 3 is a front view thereof in a closed configuration;  
FIG. 4 is a rear view thereof in a closed configuration;  
FIG. 5 is a left side view thereof in a closed configuration;  
FIG. 6 is a right side view thereof in a closed configuration;  
FIG. 7 is a top view thereof in a closed configuration;  
FIG. 8 is a bottom view thereof in a closed configuration;  
FIG. 9 is a front perspective view thereof in an open configuration;  
FIG. 10 is a rear perspective view thereof in an open configuration;  
FIG. 11 is a front view thereof in an open configuration;  
FIG. 12 is a rear view thereof in an open configuration;  
FIG. 13 is a left side view thereof in an open configuration;  
FIG. 14 is a right side view thereof in an open configuration;  
FIG. 15 is a top view thereof in an open configuration; and,  
FIG. 16 is a bottom view thereof in an open configuration.

**1 Claim, 14 Drawing Sheets**



(56)

**References Cited**

U.S. PATENT DOCUMENTS

D414,354 S *	9/1999	Gower .....	D6/691.1
D442,391 S *	5/2001	Wu .....	D6/691.1
D448,211 S *	9/2001	Schulte .....	D6/686
D484,717 S *	1/2004	de Blois .....	D6/691
D522,274 S	6/2006	Coval	
D527,928 S *	9/2006	Spector .....	D6/691.1
D591,079 S	4/2009	Singler et al.	
D591,979 S	5/2009	Singler et al.	
D657,978 S	4/2012	Hamm et al.	
D678,696 S	3/2013	Hamm et al.	
D679,521 S	4/2013	Hamm et al.	
D688,494 S	8/2013	Hamm et al.	
D693,156 S	11/2013	Hamm et al.	
D713,658 S	9/2014	Tio et al.	

OTHER PUBLICATIONS

Valentina Palladino, "Apple Store Receives Trademark for 'Distinctive Design and Layout,'" Wired.com, dated Jan. 30, 2013, accessed at <<http://www.wired.com/2013/01/apple-store-trademark/>>, accessed on Oct. 10, 2014, 2 pages.

U.S. Appl. No. 29/432,722, filed Sep. 19, 2012.

U.S. Appl. No. 29/469,978, filed Oct. 16, 2013.

U.S. Appl. No. 29/471,331, filed Oct. 30, 2013.

U.S. Appl. No. 29/489,107, filed Apr. 25, 2014.

U.S. Appl. No. 29/493,878, filed Jun. 13, 2014.

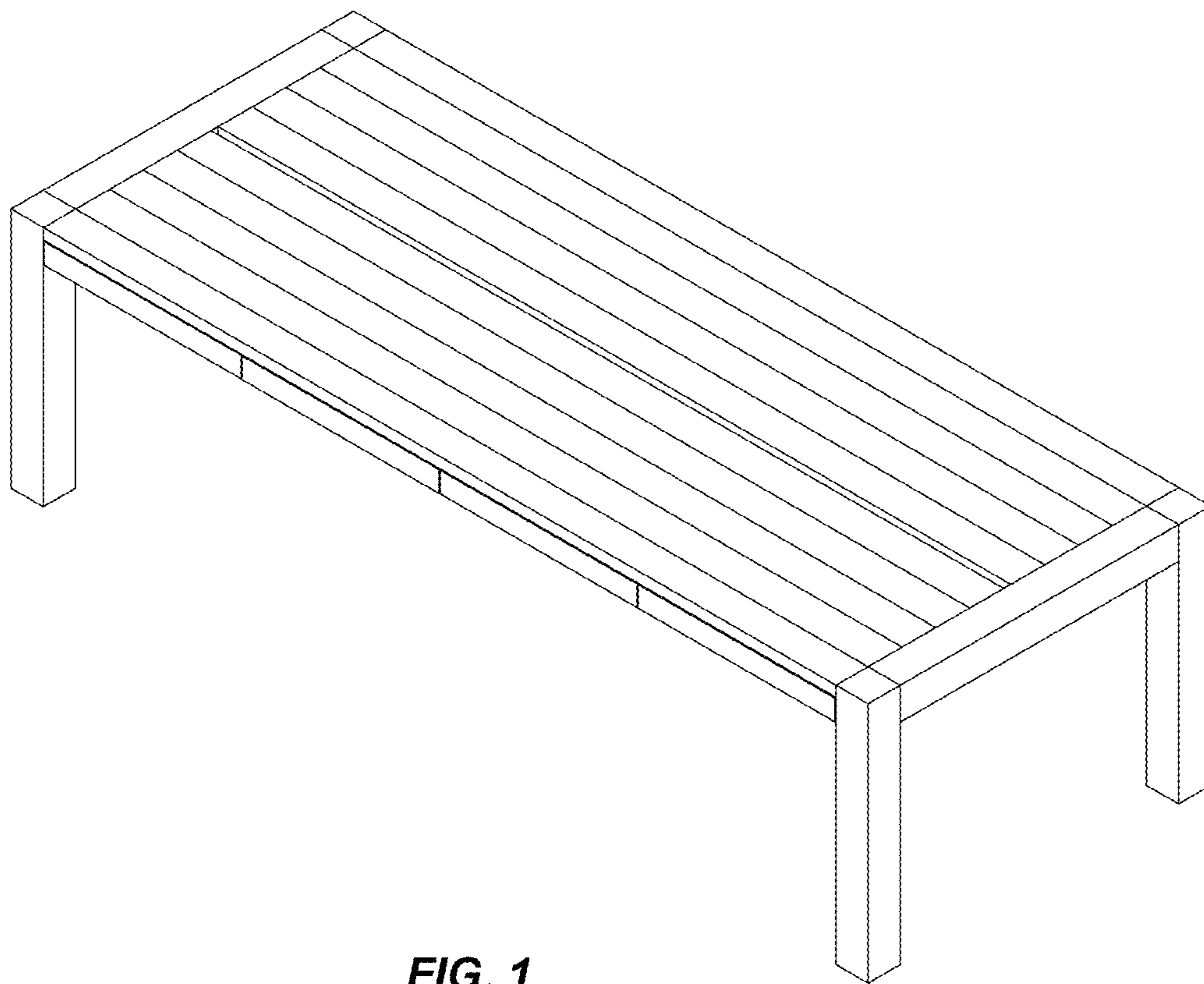
U.S. Appl. No. 29/495,788, filed Jul. 3, 2014.

U.S. Appl. No. 29/499,677, filed Aug. 18, 2014.

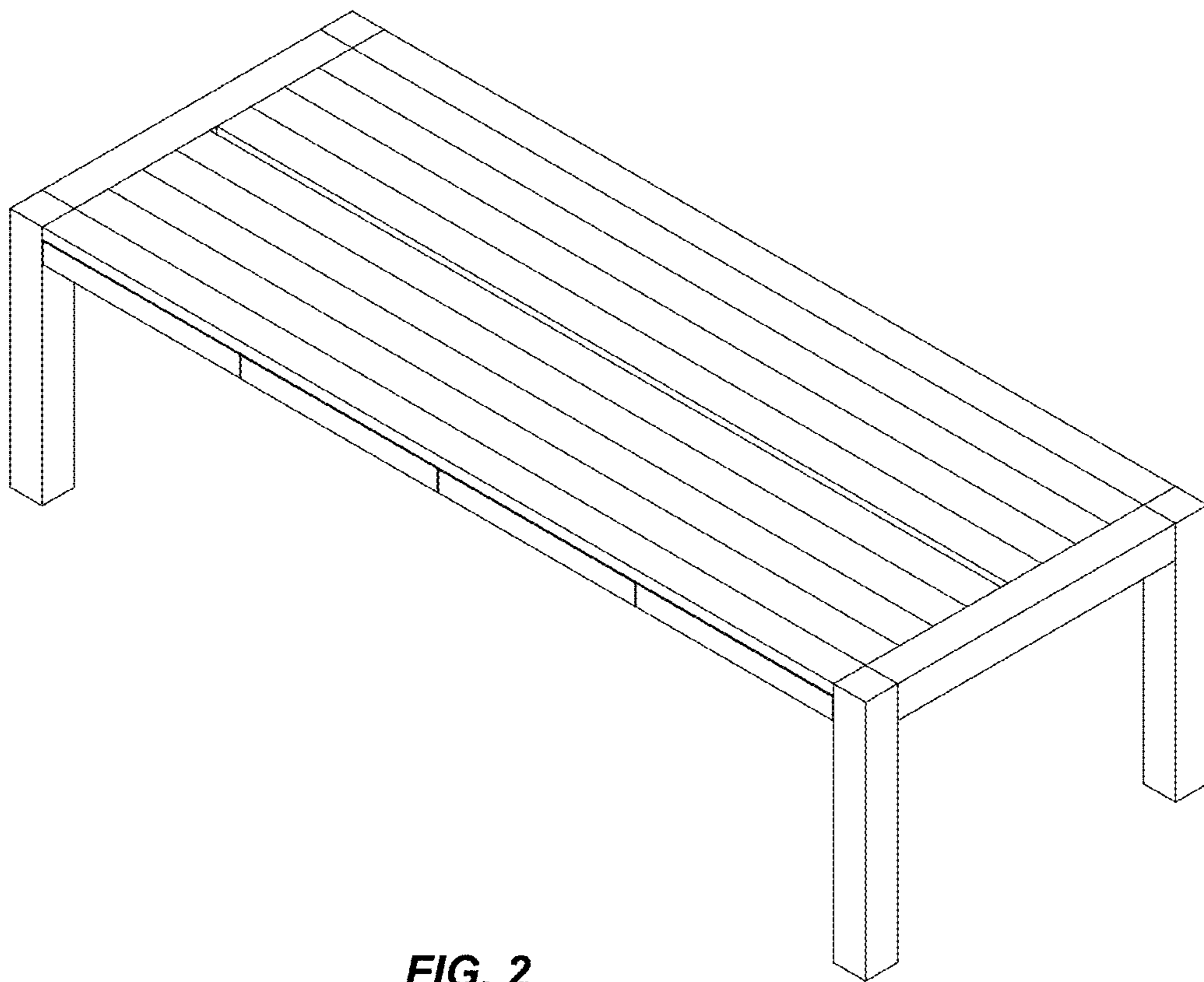
U.S. Appl. No. 29/500,951, filed Aug. 29, 2014.

U.S. Appl. No. 29/501,029, filed Aug. 29, 2014.

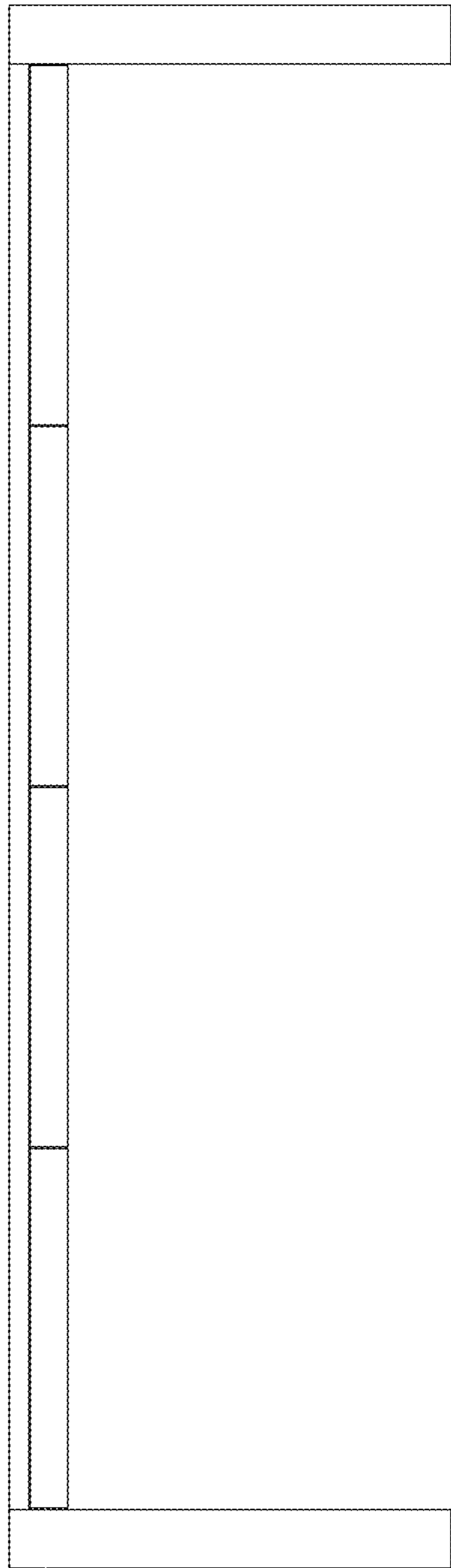
\* cited by examiner



**FIG. 1**



**FIG. 2**



**FIG. 3**

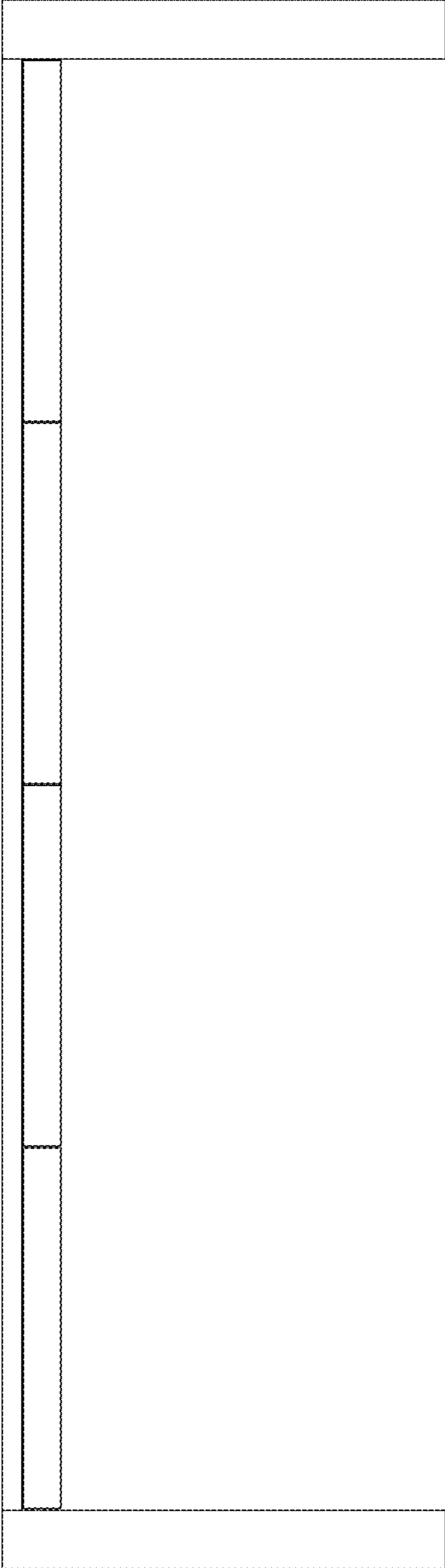
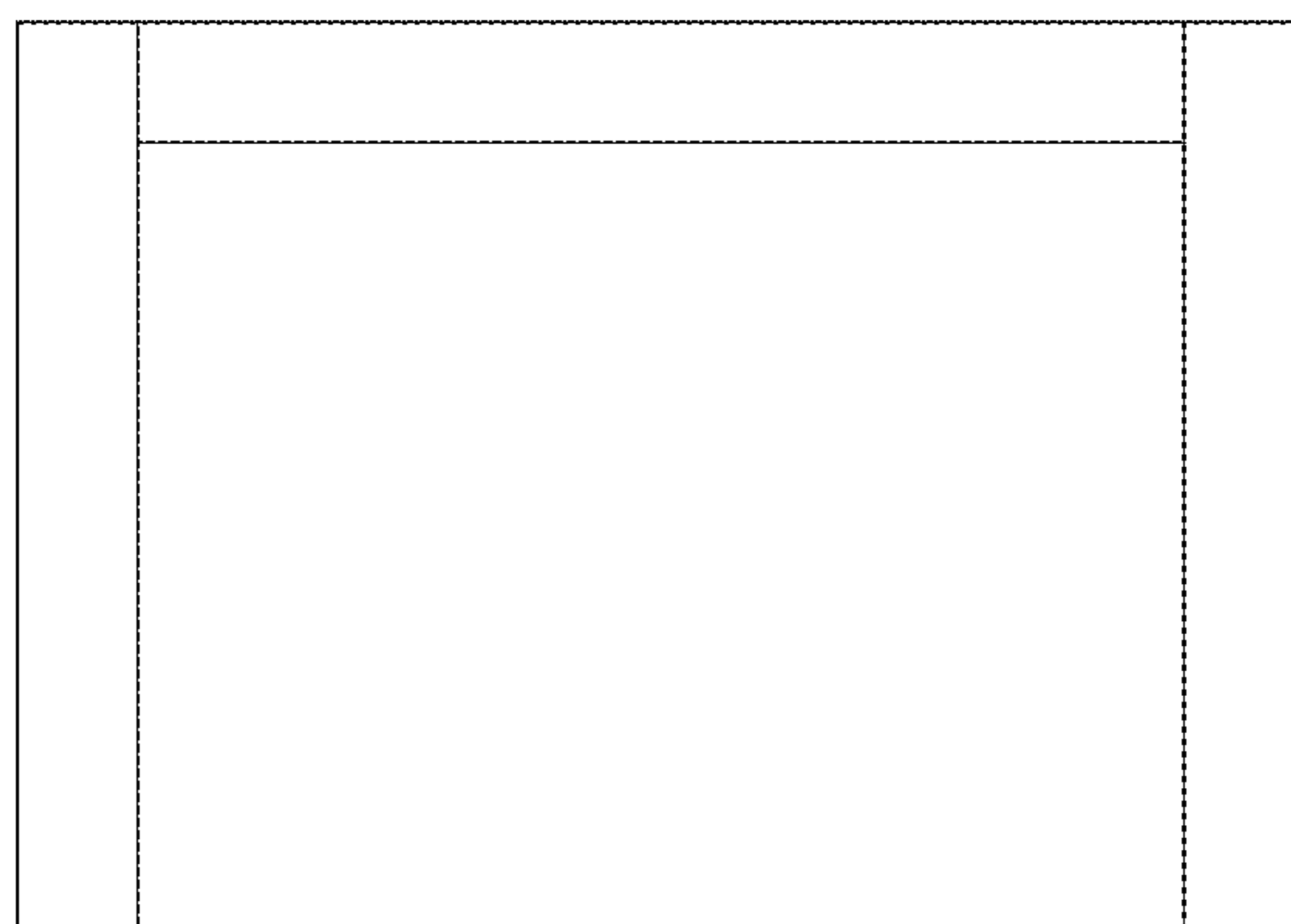


FIG. 4



**FIG. 5**



**FIG. 6**

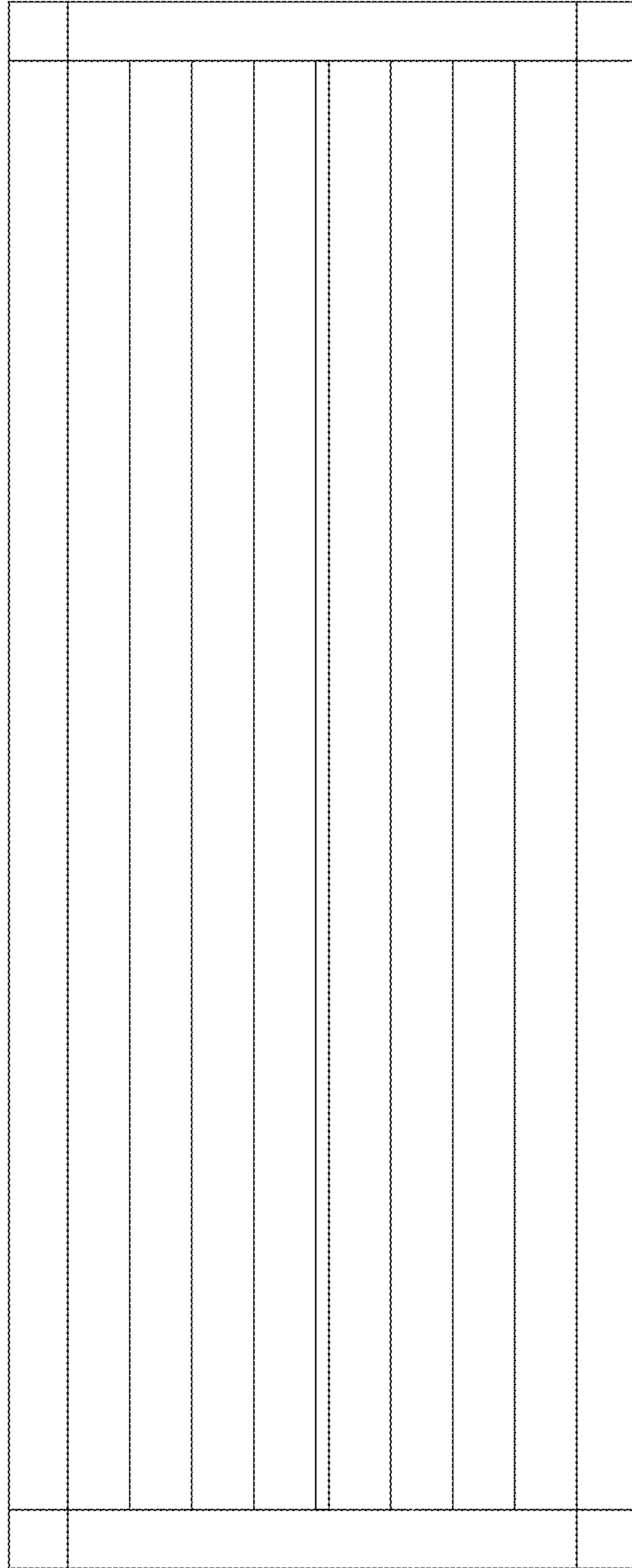


FIG. 7



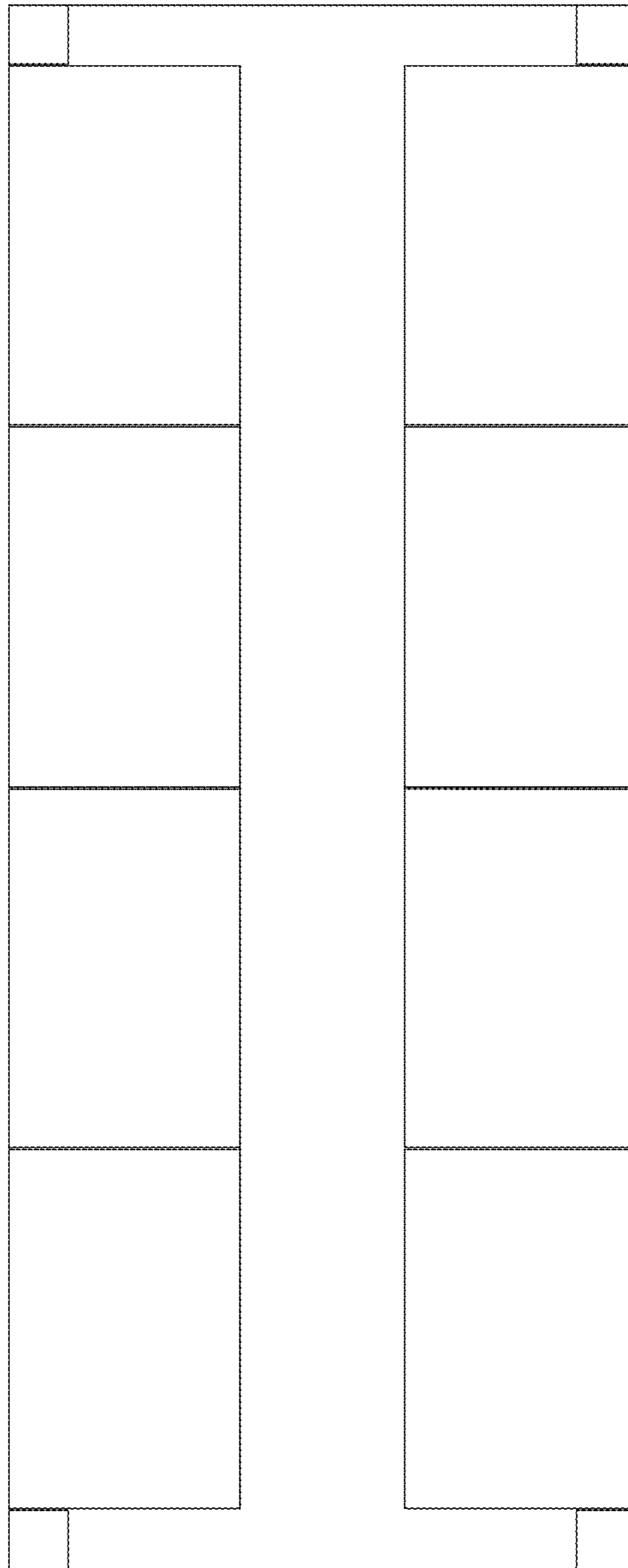
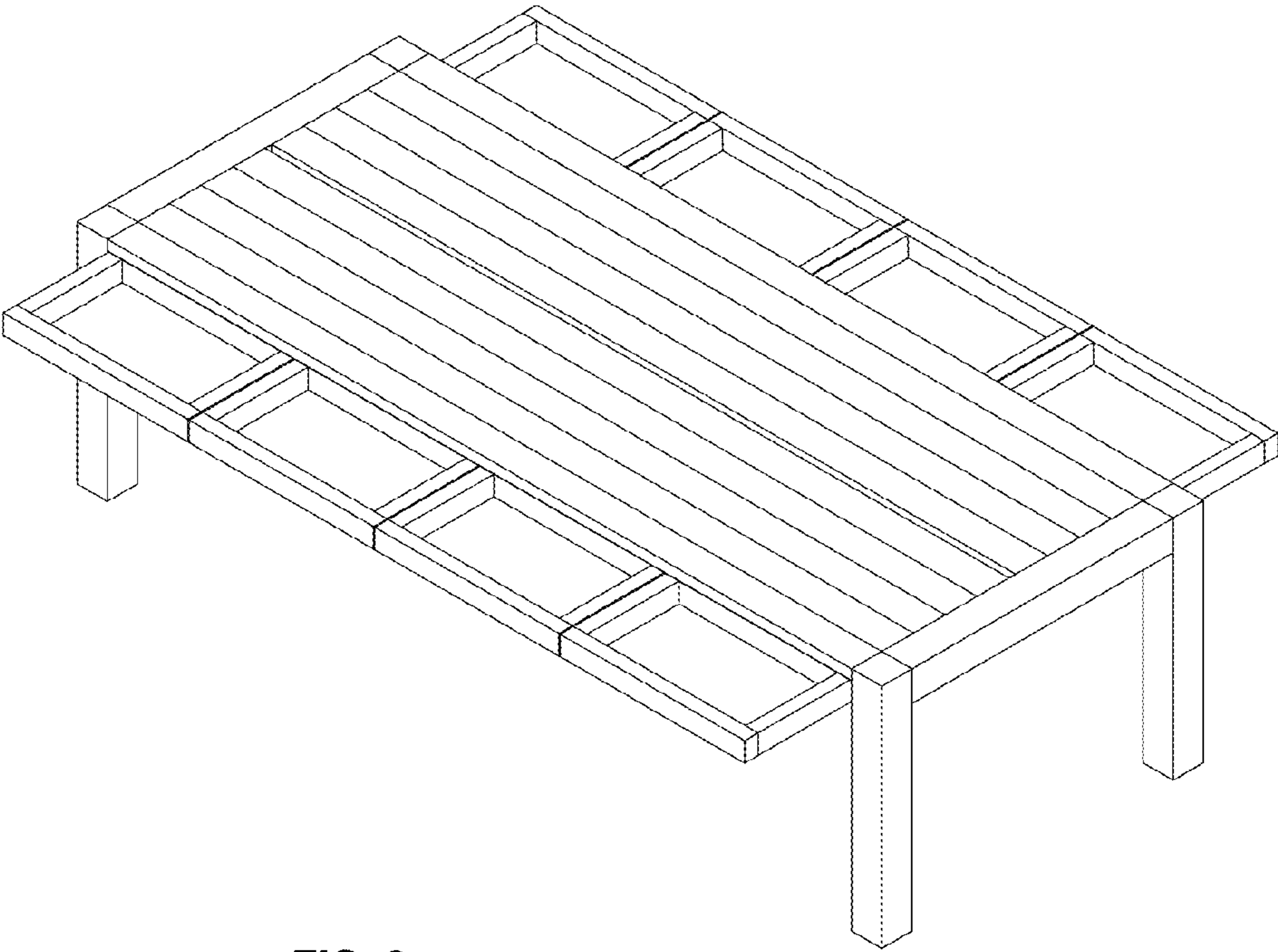
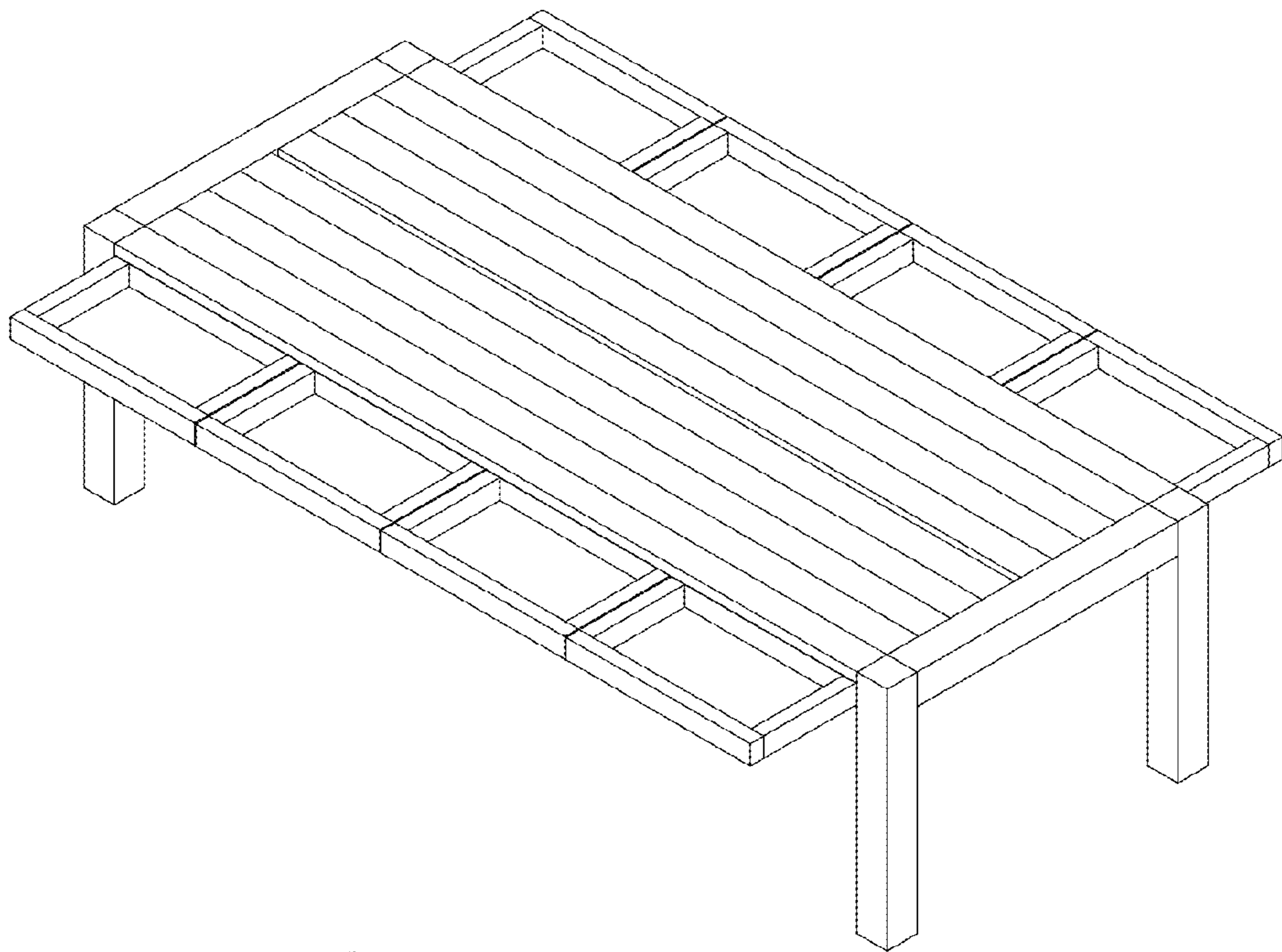


FIG. 8



**FIG. 9**



**FIG. 10**

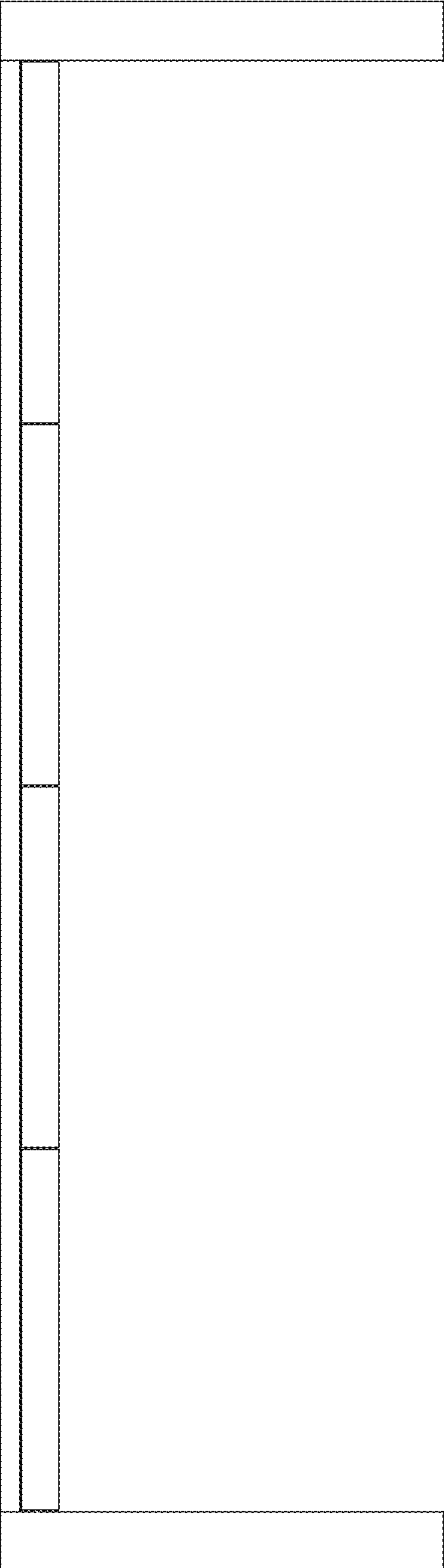


FIG. 11

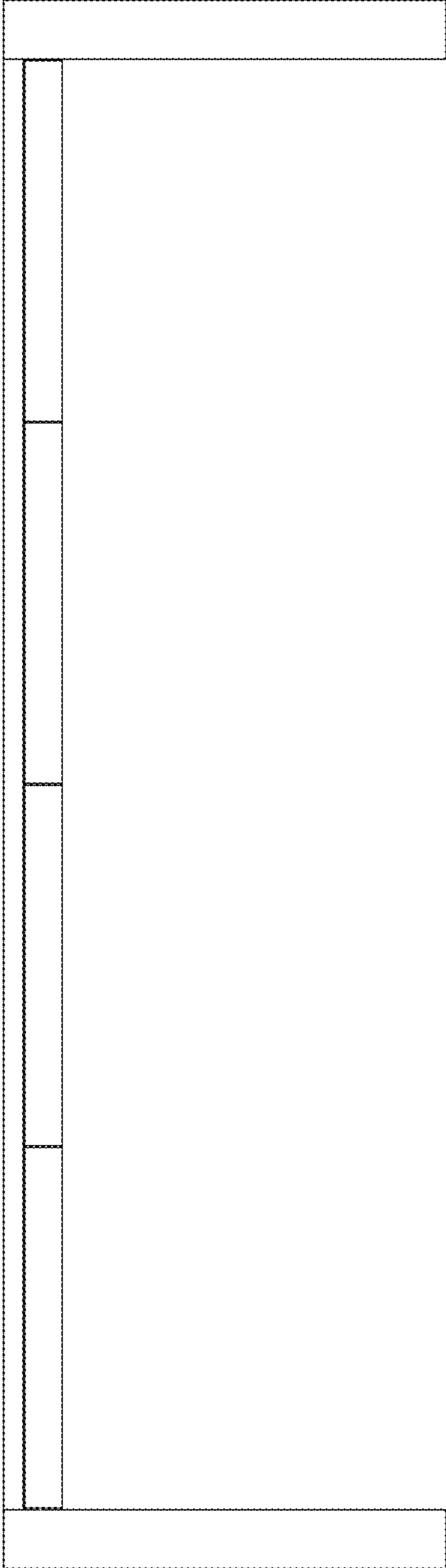
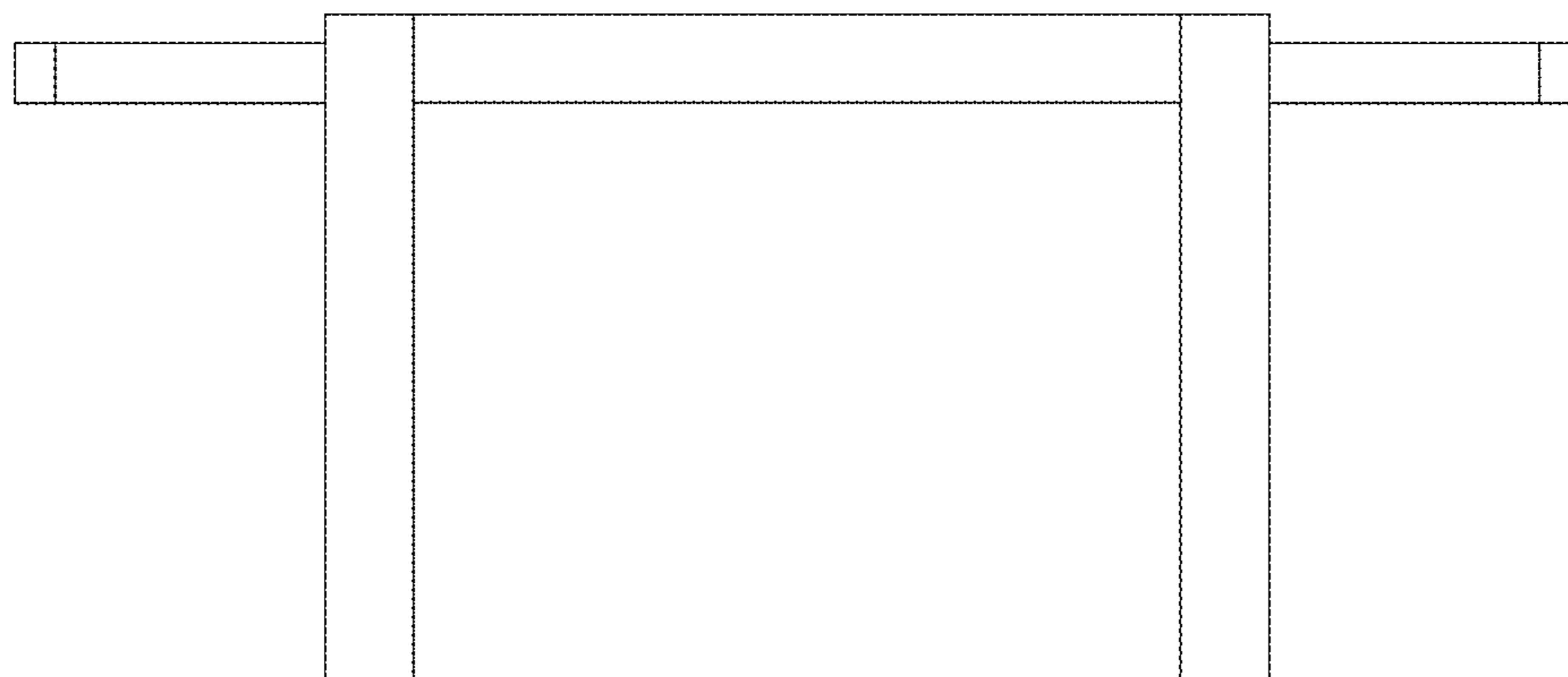
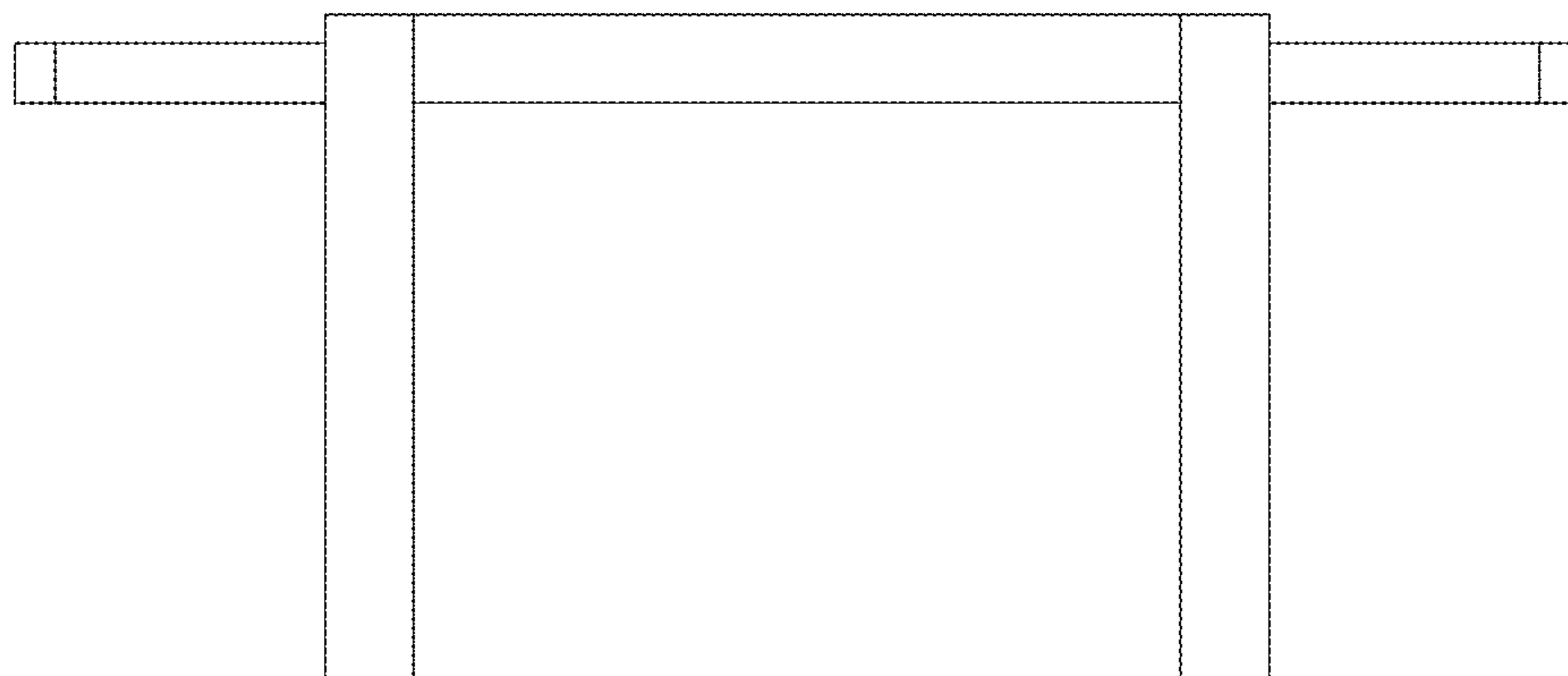


FIG. 12



**FIG. 13**



**FIG. 14**

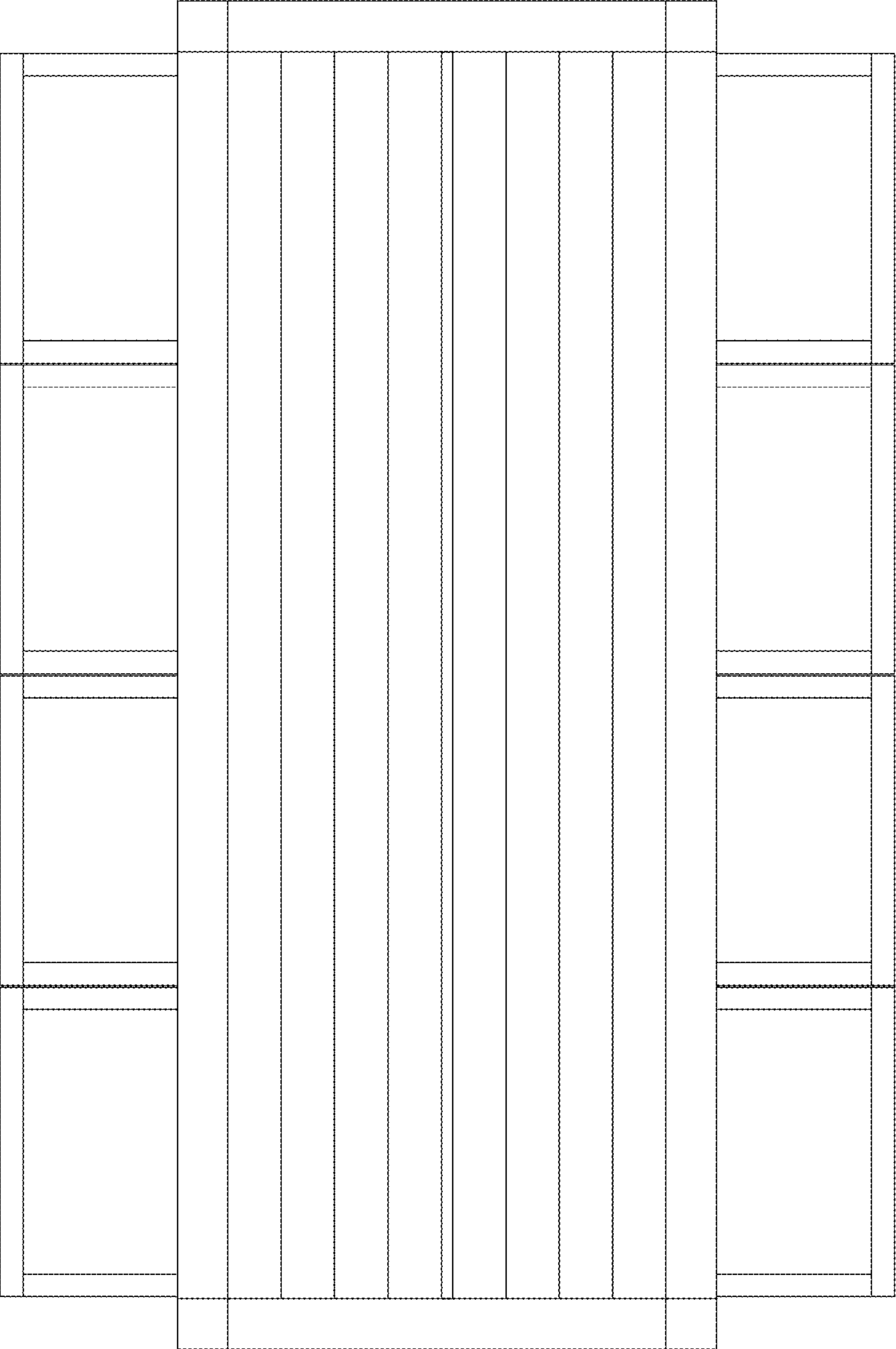


FIG. 15

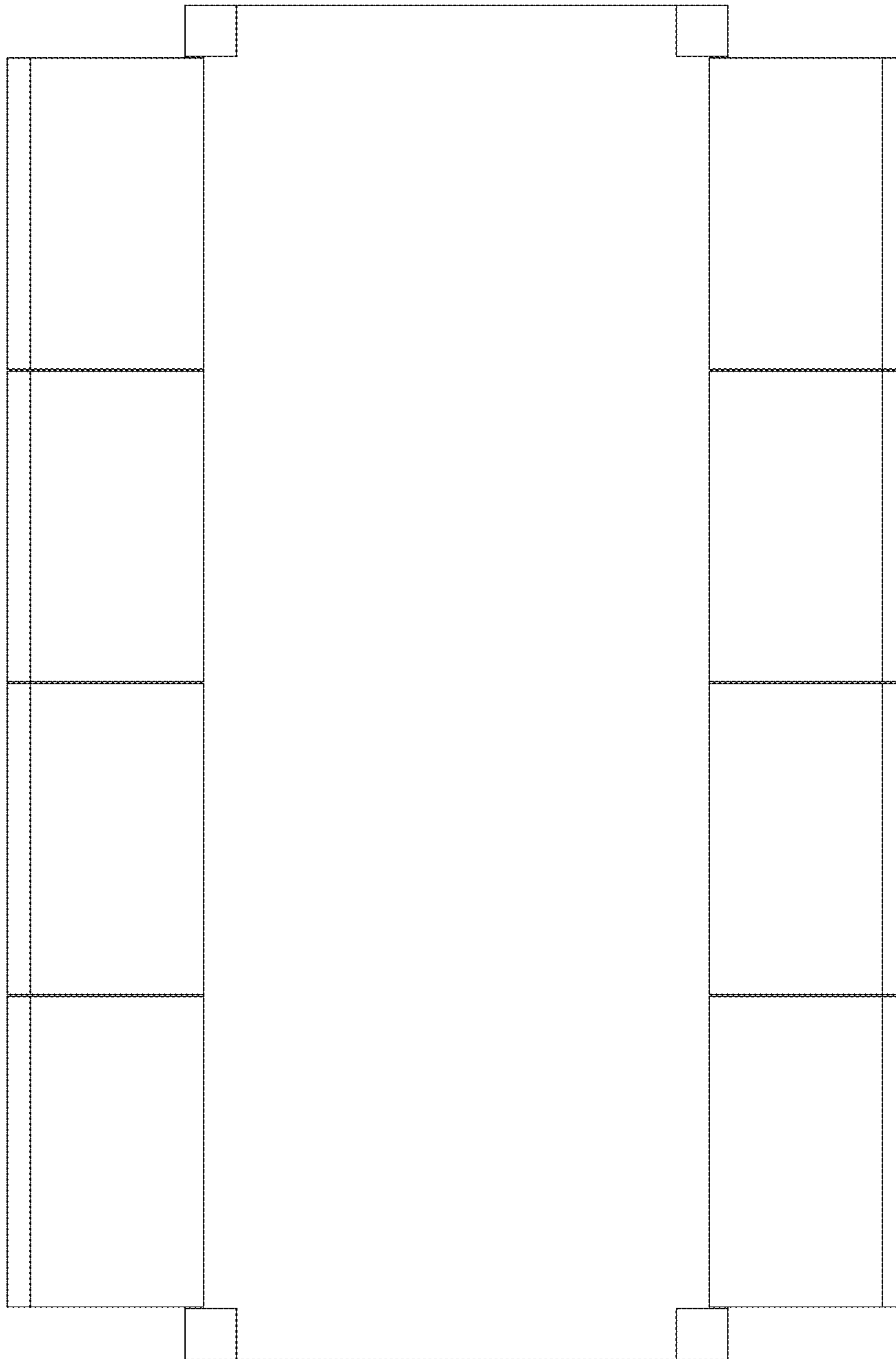


FIG. 16