



US00D766629S

(12) **United States Design Patent**
Barker et al.

(10) **Patent No.:** **US D766,629 S**

(45) **Date of Patent:** **** Sep. 20, 2016**

(54) **RACK**

(71) Applicant: **UCL Business plc**, London (GB)

(72) Inventors: **Steven Barker**, Croydon (GB); **Simon Hollingsworth**, Brownlow Congleton (GB); **Anthony Thorne**, Abingdon (GB); **John Bailey**, Crawley (GB); **Rolf Ackerman**, Rietheim Weilheim (DE)

(73) Assignee: **UCL BUSINESS PLC**, London (GB)

(**) Term: **14 Years**

(21) Appl. No.: **29/445,595**

(22) Filed: **Feb. 13, 2013**

(51) **LOC (10) Cl.** **06-06**

(52) **U.S. Cl.**
USPC **D6/683.1**

(58) **Field of Classification Search**
USPC D6/408, 462-465, 509-511, 566-568, D6/574, 672, 675, 675.5, 683, 683.1; 211/59.2, 59.4, 85.26, 126.5, 134, 153, 211/186-188; 312/42, 45, 72; 108/59-60, 108/152, 147.11; 248/235, 312, 243, 219.1
CPC A47B 81/00; A47B 81/04
See application file for complete search history.

(56) **References Cited**

U.S. PATENT DOCUMENTS

D244,243 S * 5/1977 Hegg et al. D6/476
4,317,603 A * 3/1982 Pepicelli et al. 312/9.47
4,684,027 A * 8/1987 Wright 211/40
D309,524 S * 7/1990 Egly et al. D6/629

D335,976 S * 6/1993 Brown D6/467
D385,922 S * 11/1997 Tisbo D19/90
D422,436 S * 4/2000 Fisher D6/511

(Continued)

Primary Examiner — Kelley Donnelly

(74) *Attorney, Agent, or Firm* — Stites & Harbison, PLLC; Terry L. Wright; James R. Hayne

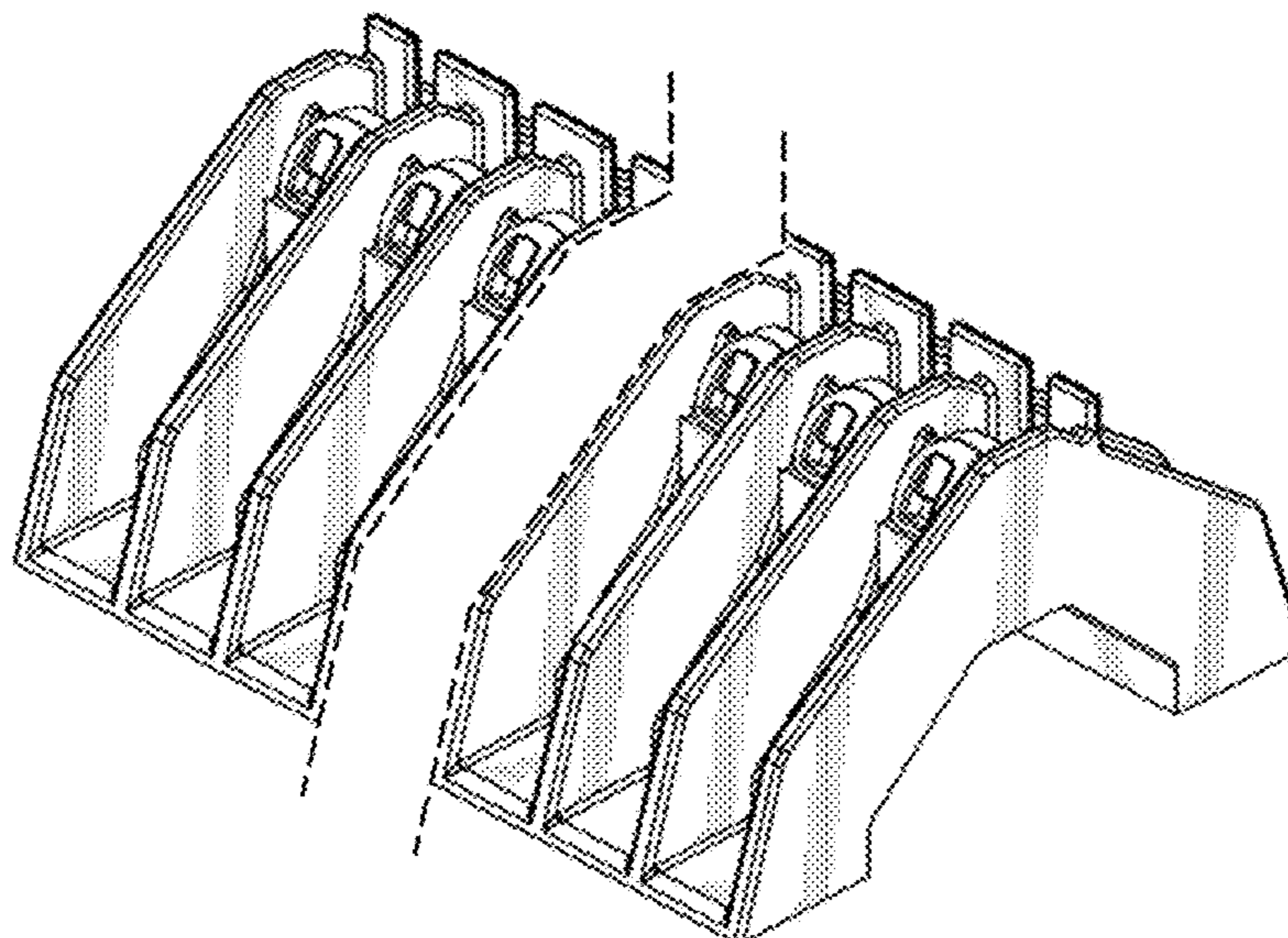
(57) **CLAIM**

The ornamental design for a rack, as shown and described.

DESCRIPTION

FIG. 1 is a perspective view of a first embodiment of a rack shown with an indeterminate length;
FIG. 2 is another perspective view of the rack of FIG. 1;
FIG. 3 is a left side elevational view of the rack of FIG. 1;
FIG. 4 is a right side elevational view of the rack of FIG. 1;
FIG. 5 is a top view of the rack of FIG. 1;
FIG. 6 is a bottom view of the rack of FIG. 1;
FIG. 7 is a front elevational view of the rack of FIG. 1;
FIG. 8 is a rear elevational view of the rack of FIG. 1;
FIG. 9 is a perspective view of a second embodiment of a rack shown with a definite length;
FIG. 10 is another perspective view of the rack of FIG. 9;
FIG. 11 is a left side elevational view of the rack of FIG. 9;
FIG. 12 is a right side elevational view of the rack of FIG. 9;
FIG. 13 is a top view of the rack of FIG. 9;
FIG. 14 is a bottom view of the rack of FIG. 9;
FIG. 15 is a front elevational view of the rack of FIG. 9; and, FIG. 16 is a rear elevational view of the rack of FIG. 9.
The portions drawn in broken lines are for illustrative purposes only and form no part of the claimed design.

1 Claim, 16 Drawing Sheets



(56)

References Cited

U.S. PATENT DOCUMENTS

D427,835 S * 7/2000 Tisbo D6/629
6,877,618 B2 * 4/2005 Mason 211/59.2
D524,586 S * 7/2006 Menard D6/629
D565,673 S * 4/2008 Lien et al. D21/686

D655,107 S * 3/2012 Clark et al. D6/476
D663,912 S * 7/2012 Le D32/55
D673,391 S * 1/2013 Whitehead D6/682.4
D674,507 S * 1/2013 Suzuki et al. D24/229
D674,620 S * 1/2013 Petrick et al. D6/407
D720,166 S * 12/2014 Trindall et al. D6/683.1

* cited by examiner

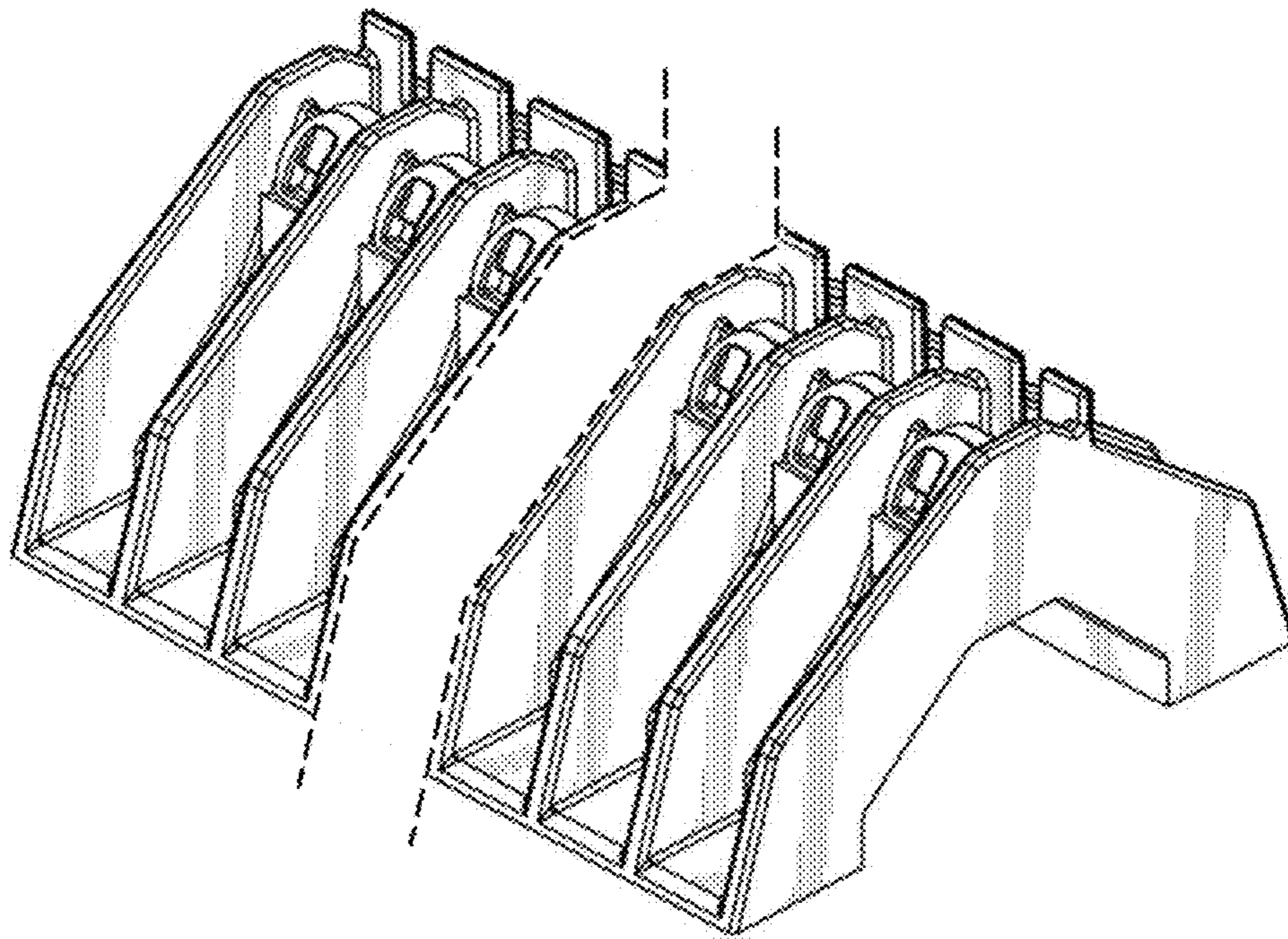


Fig. 1

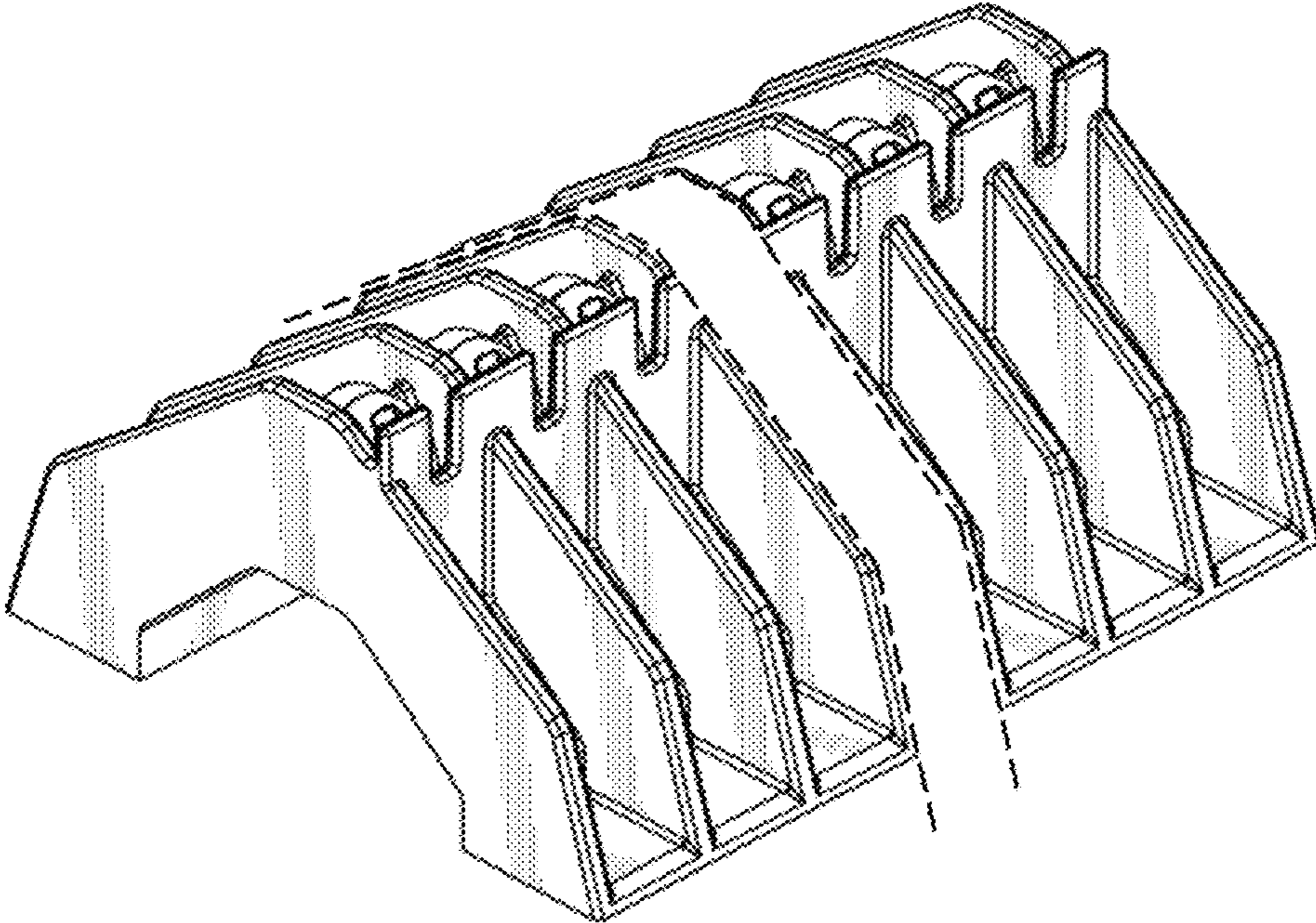


Fig. 2

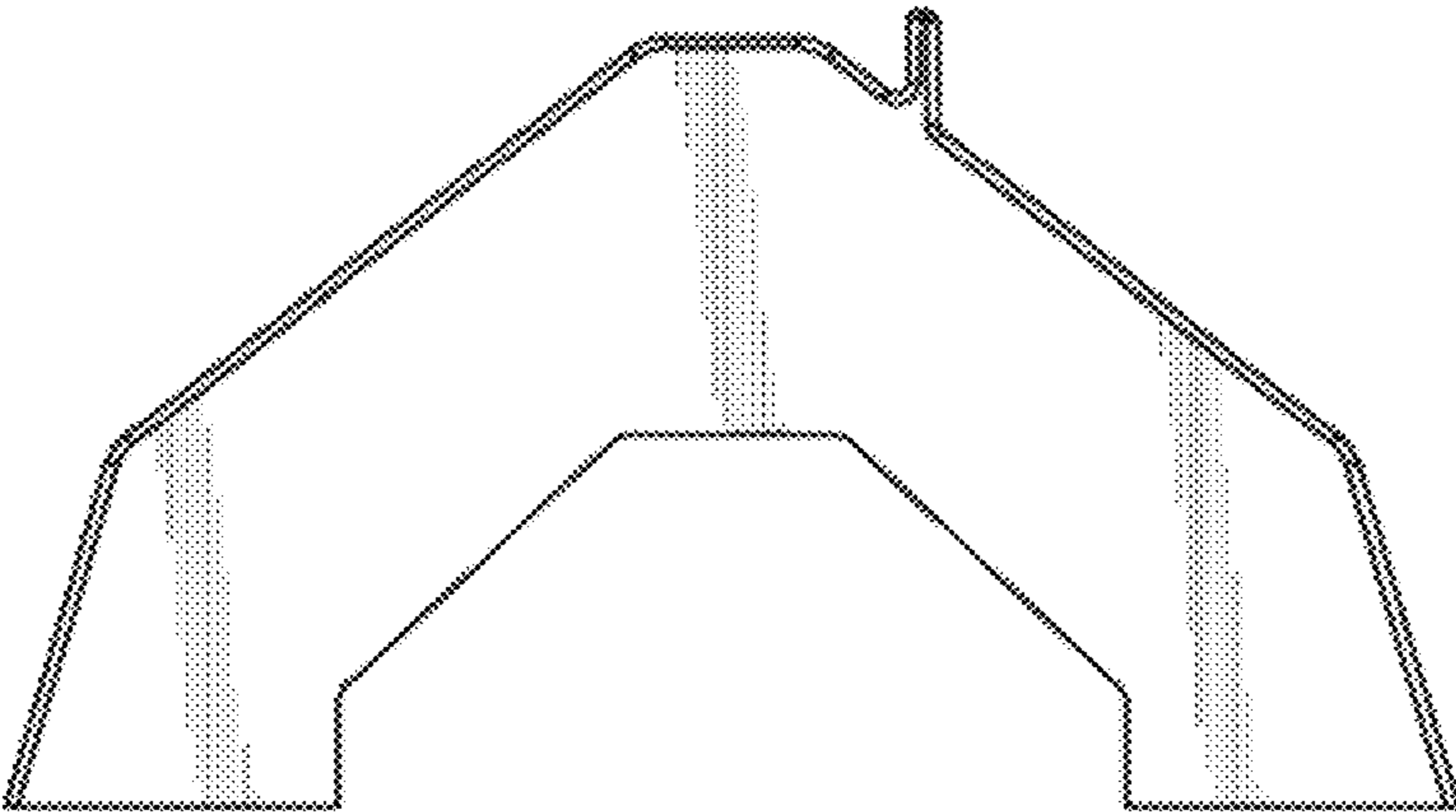


Fig. 3

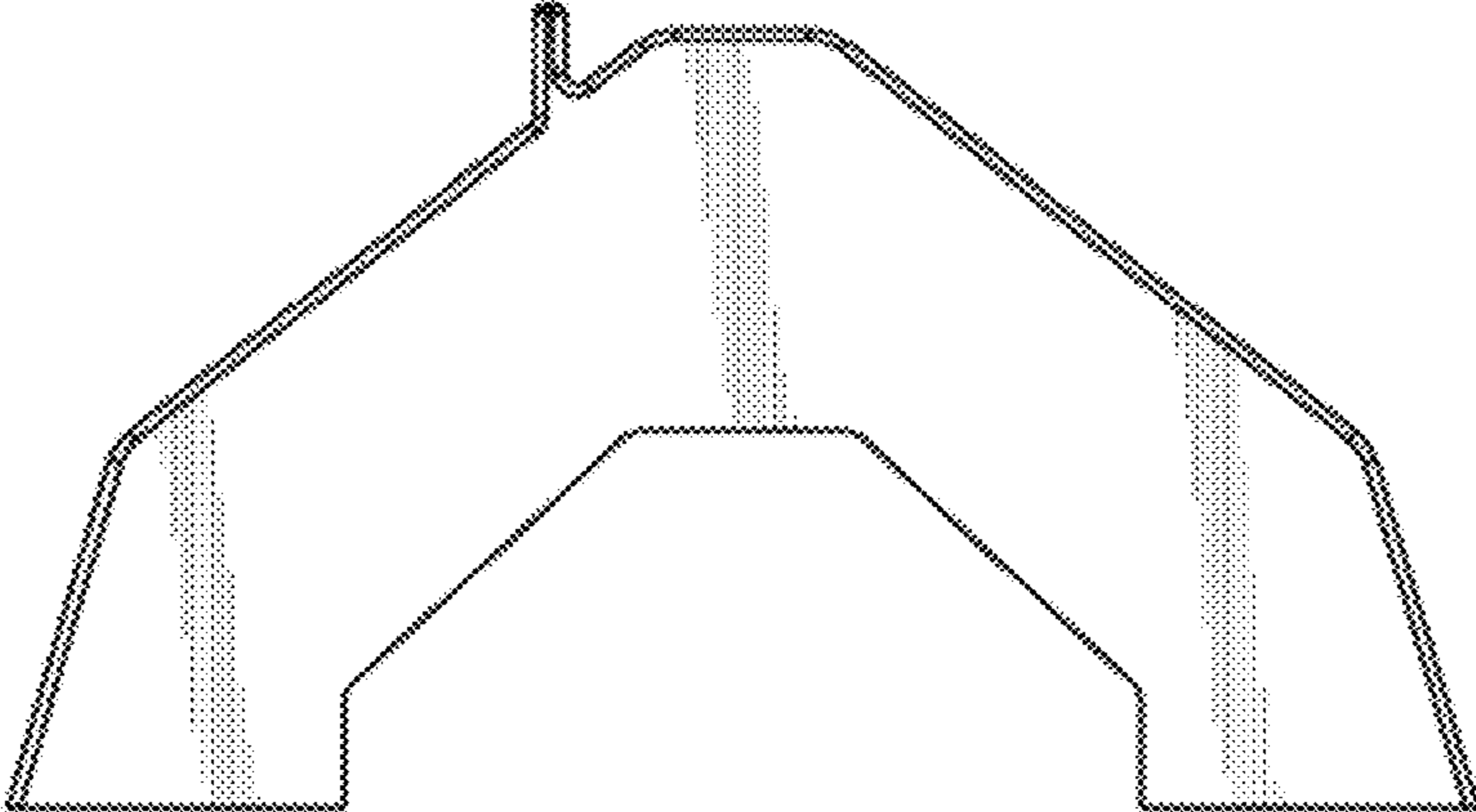


Fig. 4

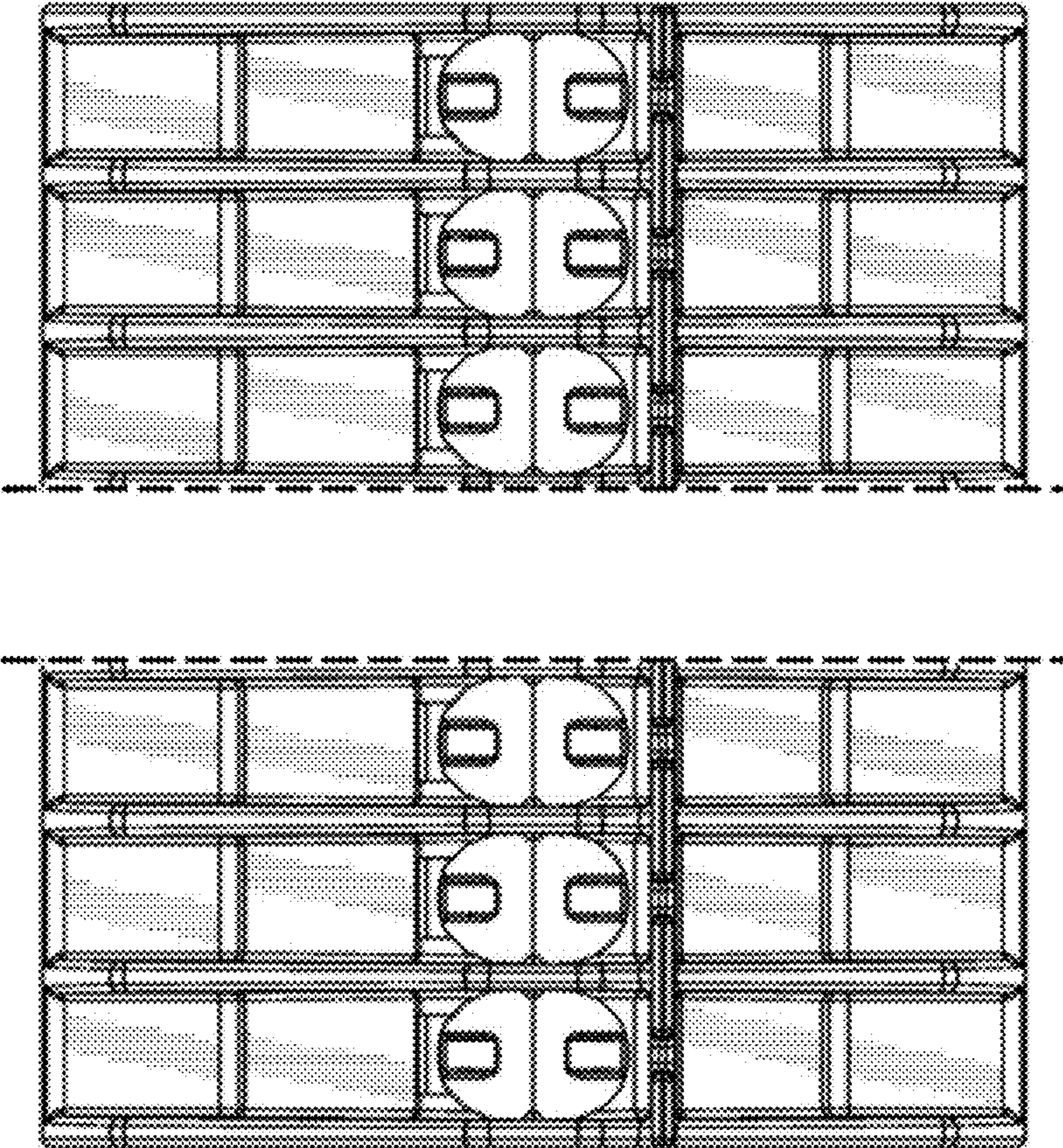


Fig. 5

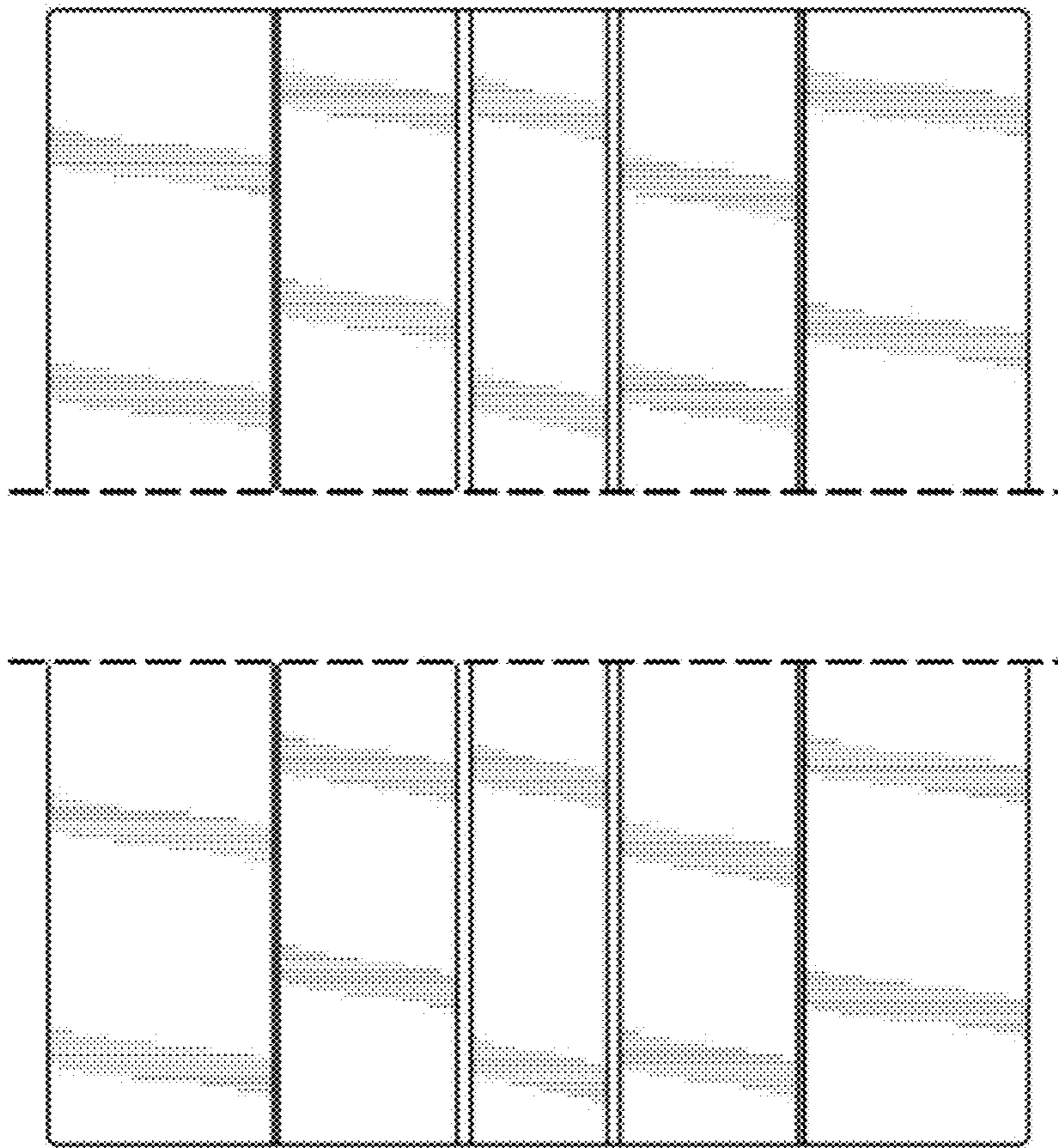


Fig. 6

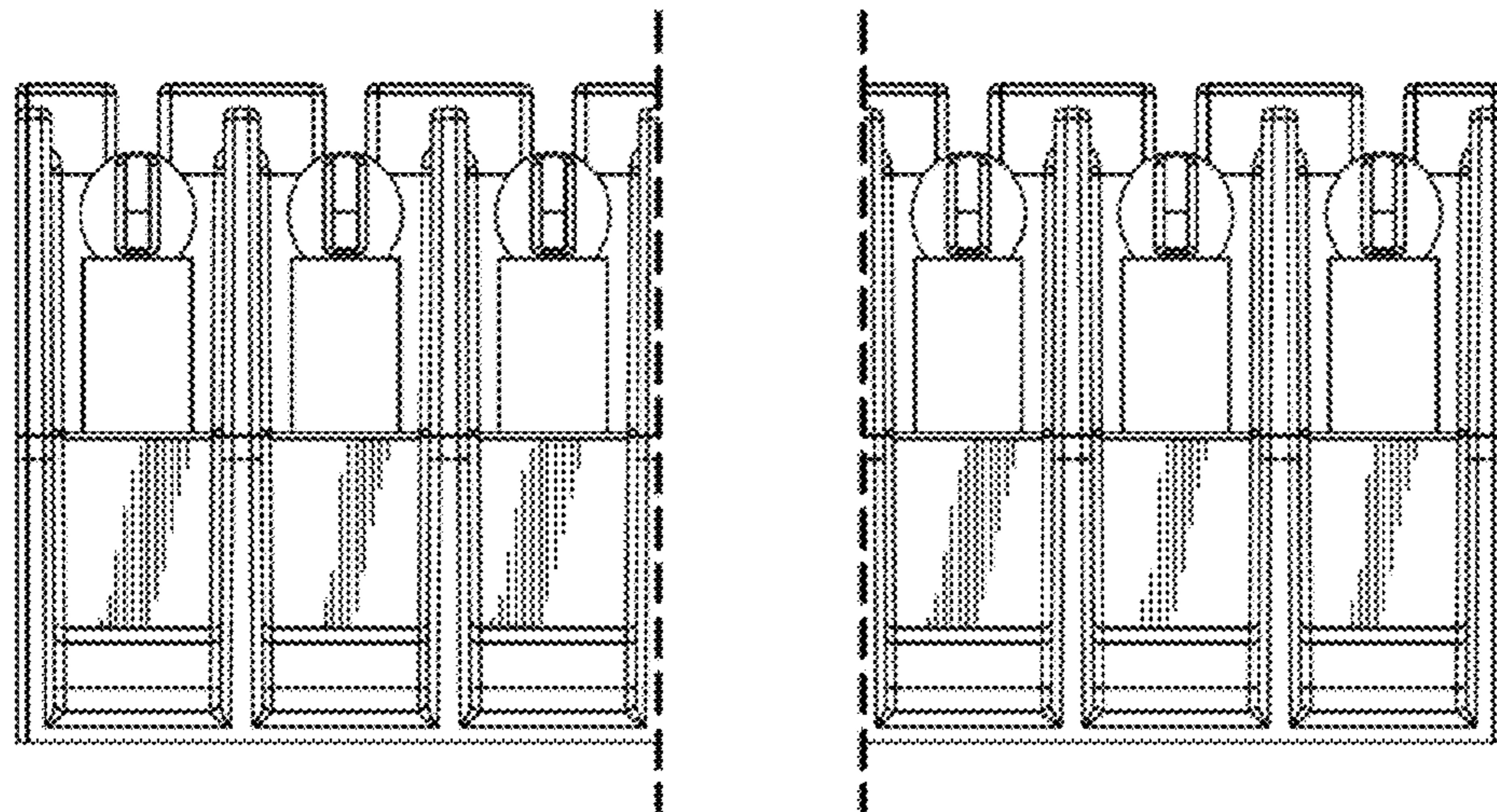


Fig. 7

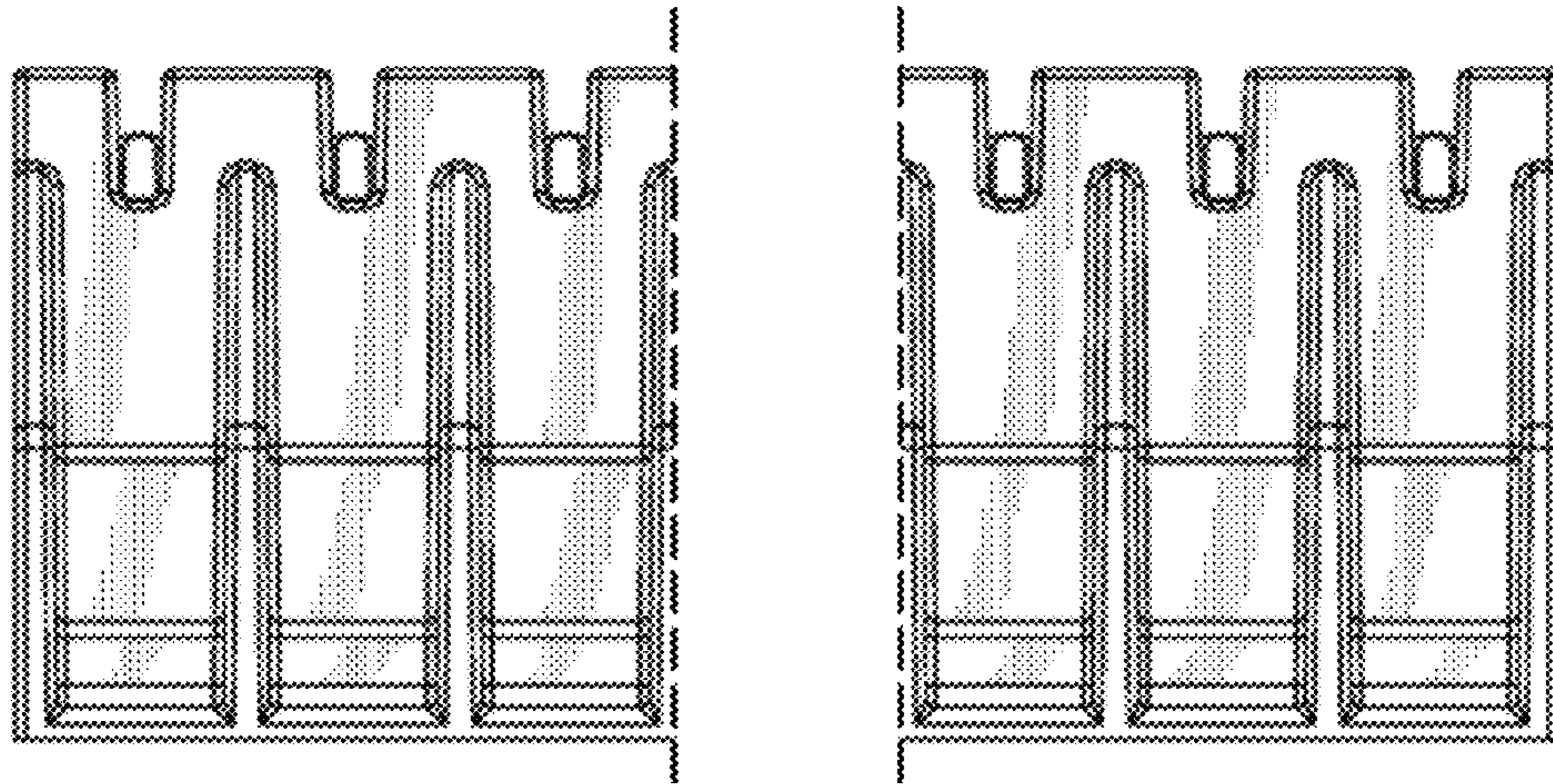


Fig. 8

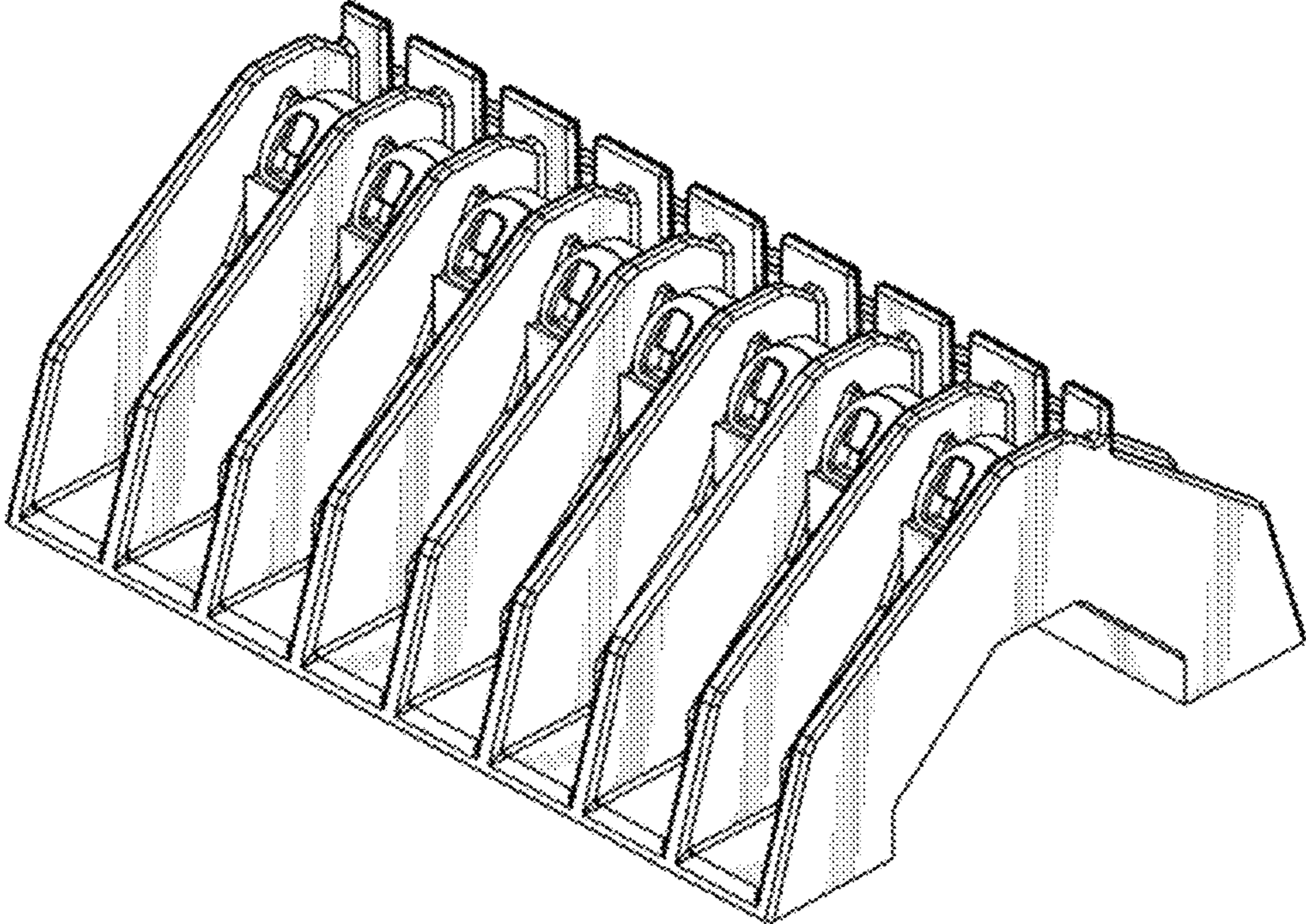


Fig. 9

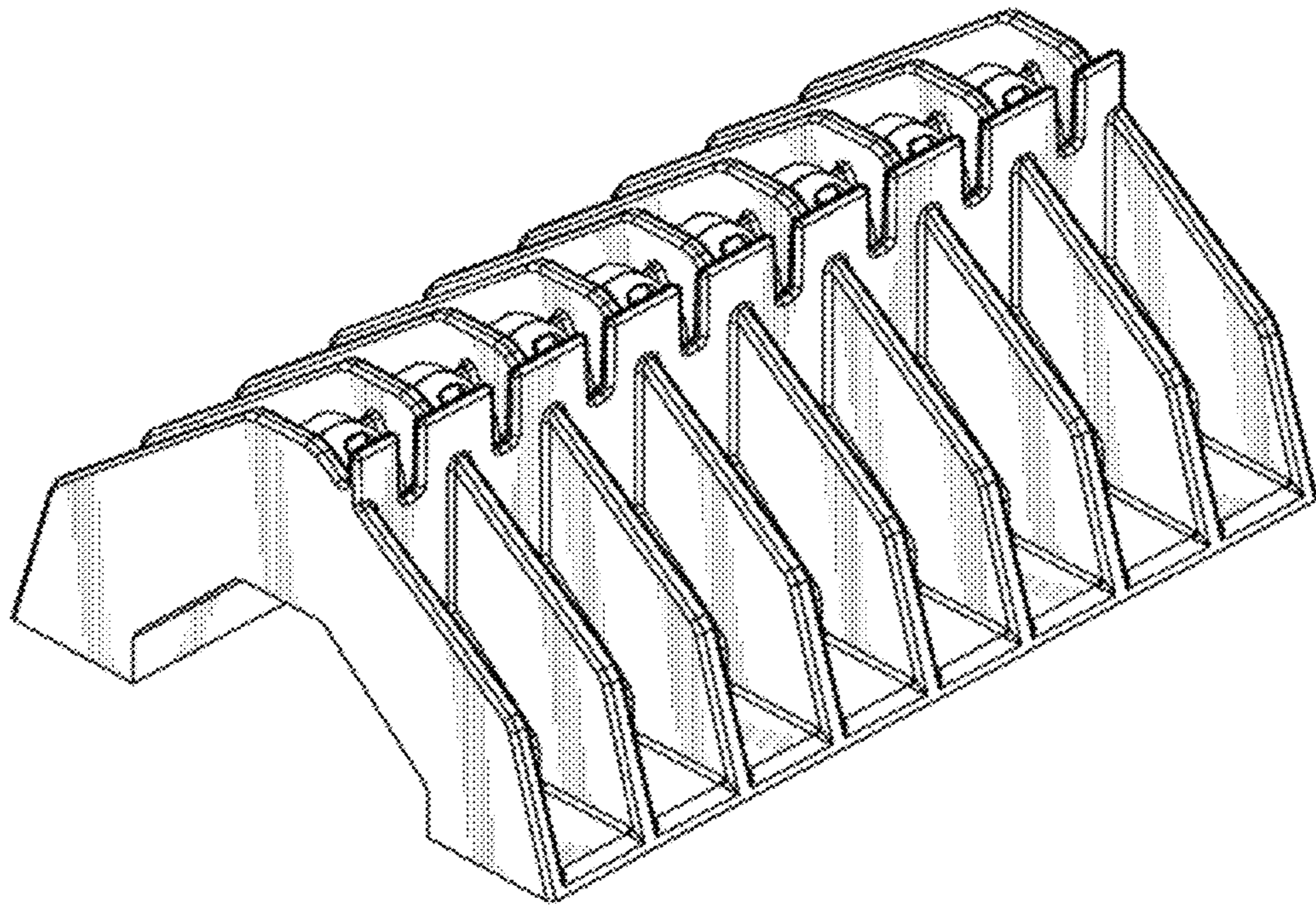


Fig. 10

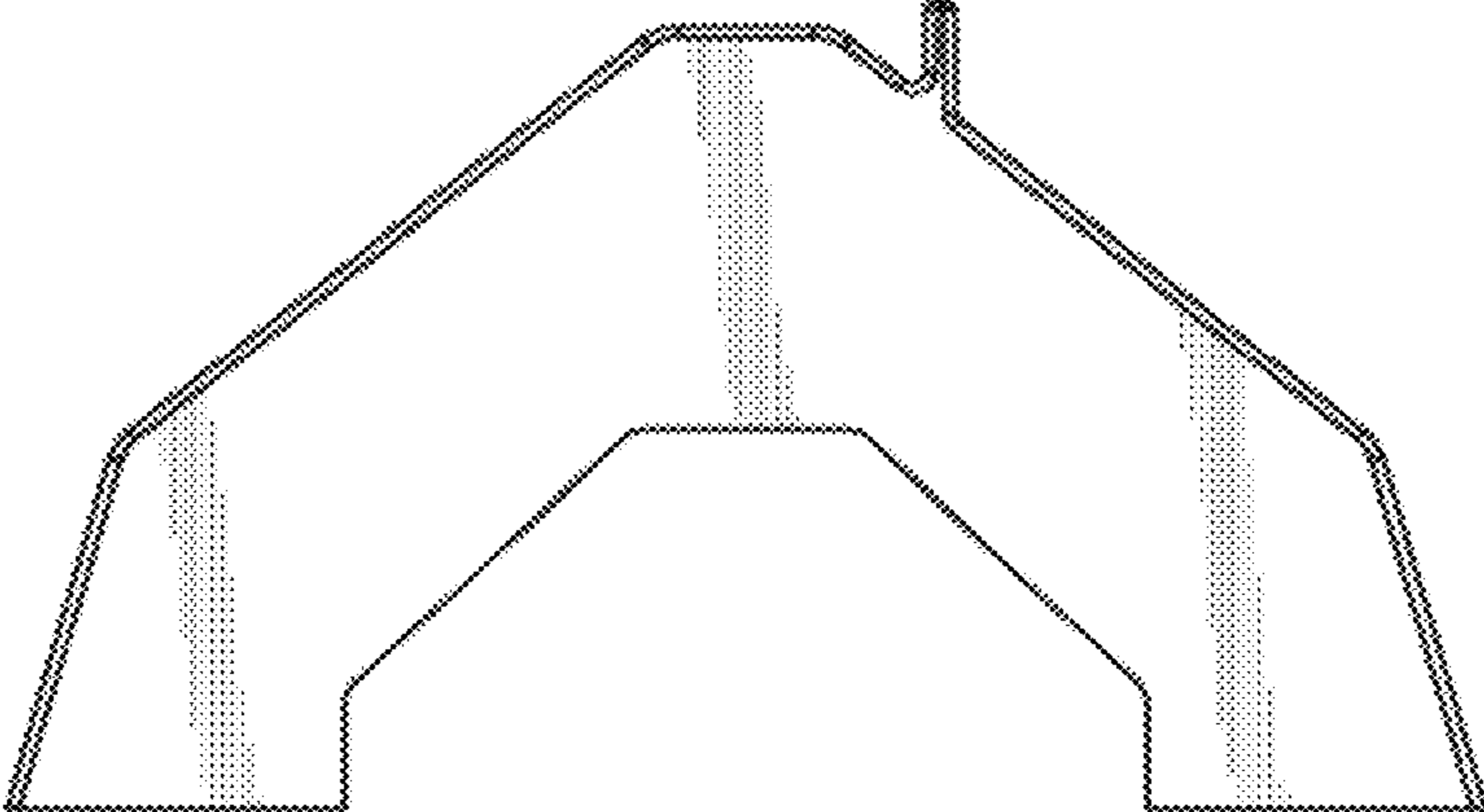


Fig. 11

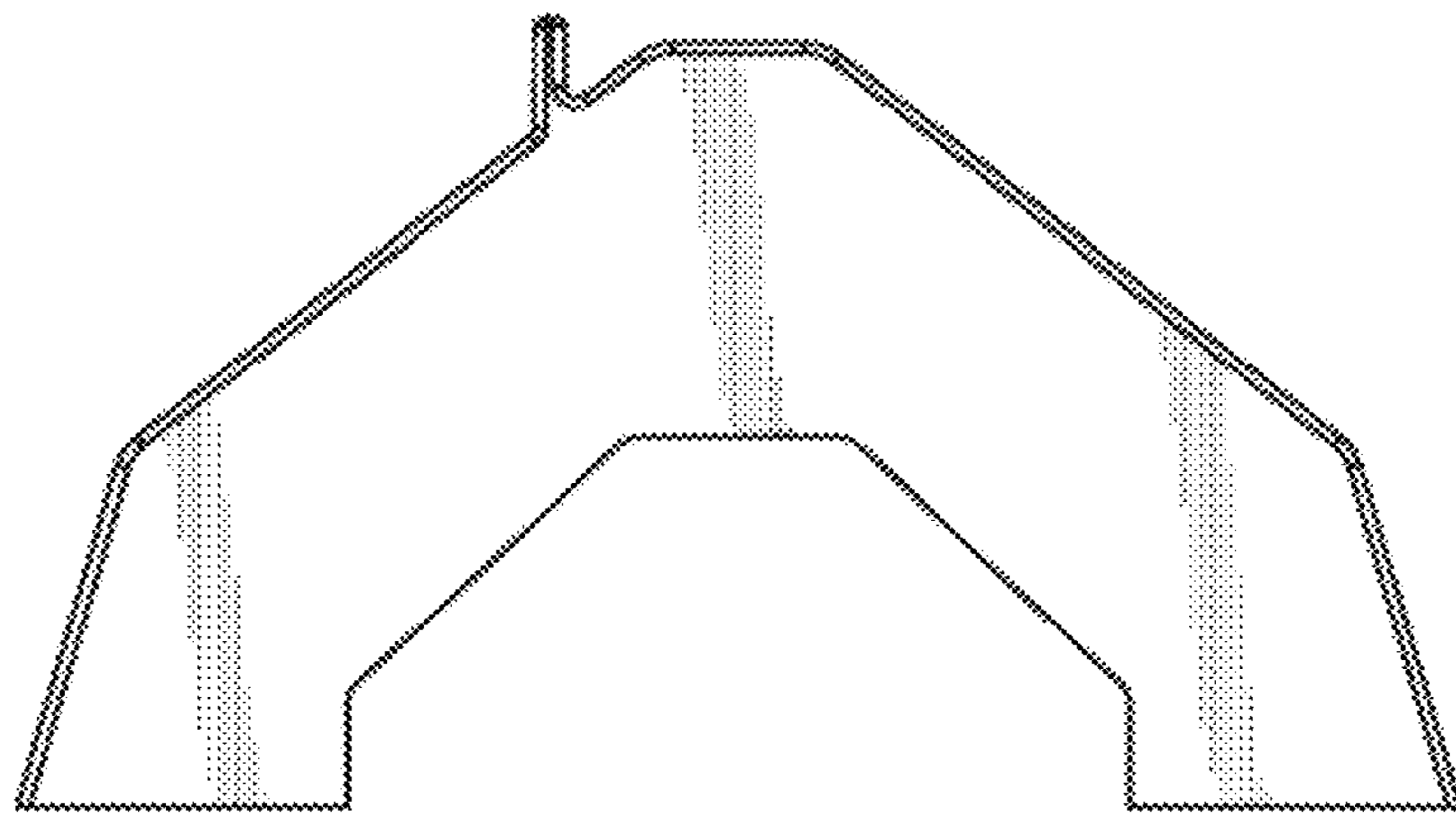


Fig. 12

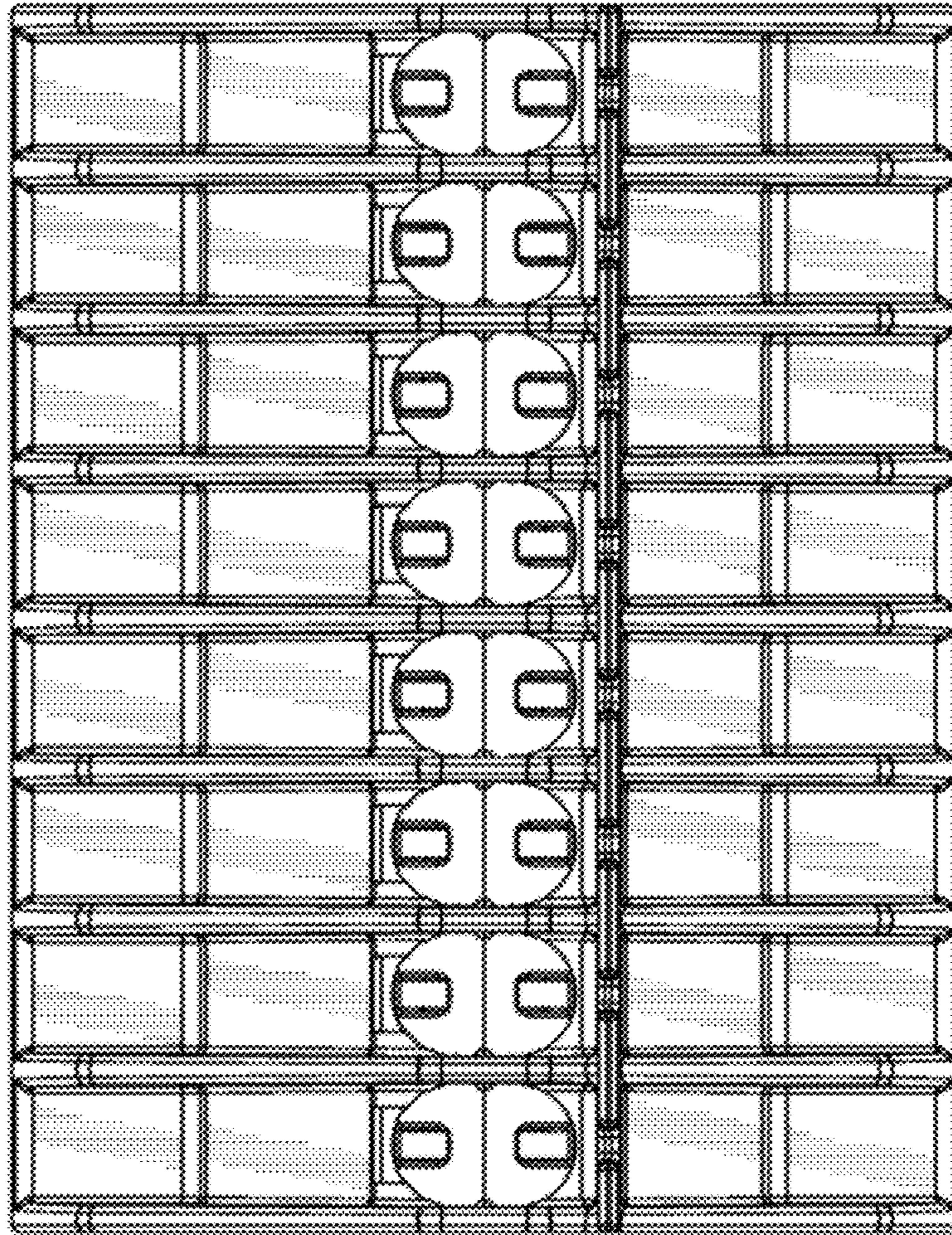


Fig. 13

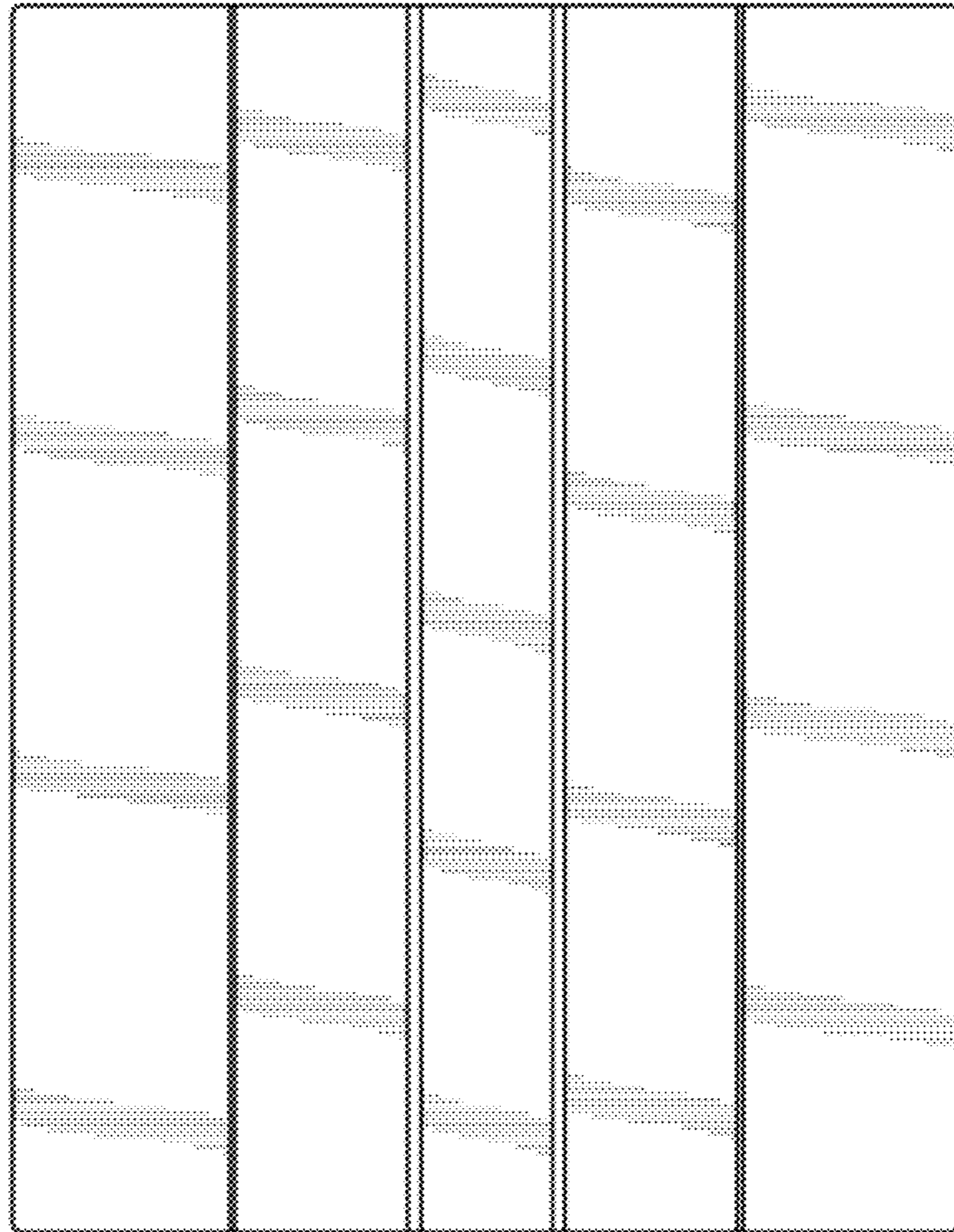


Fig. 14

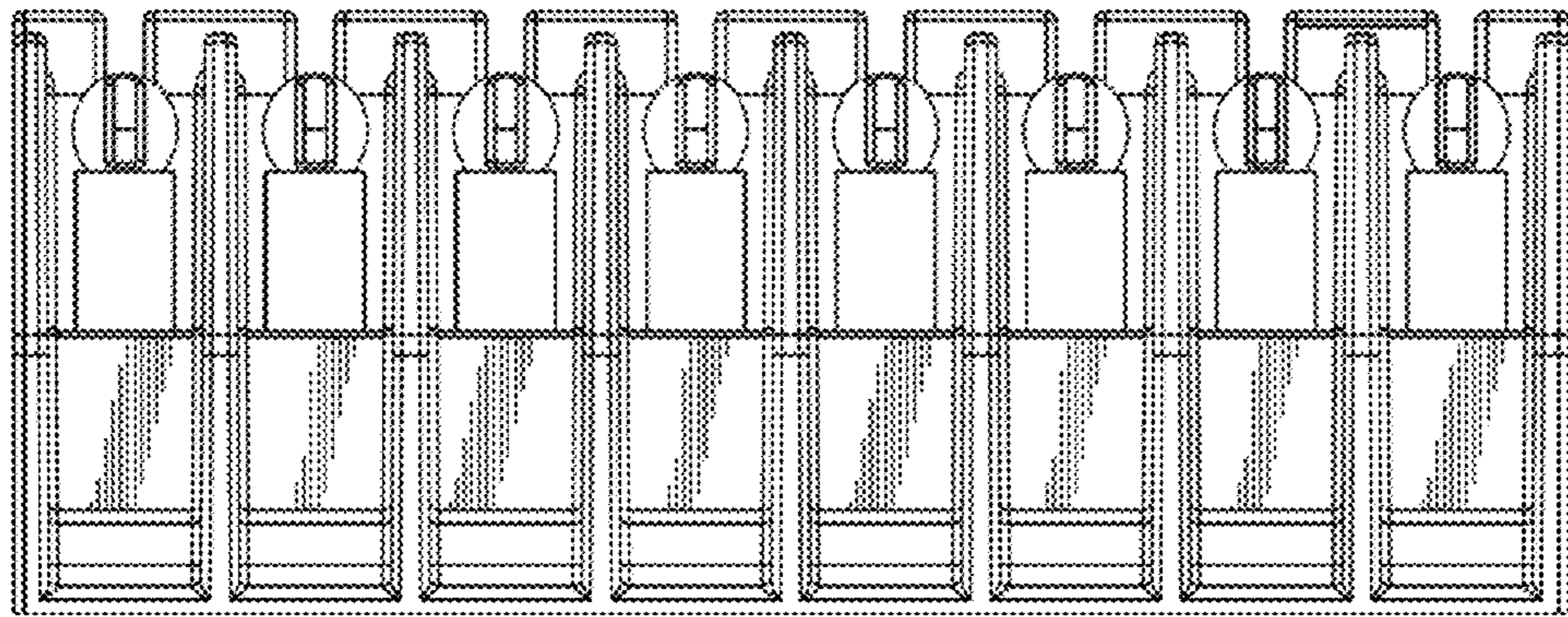


Fig. 15

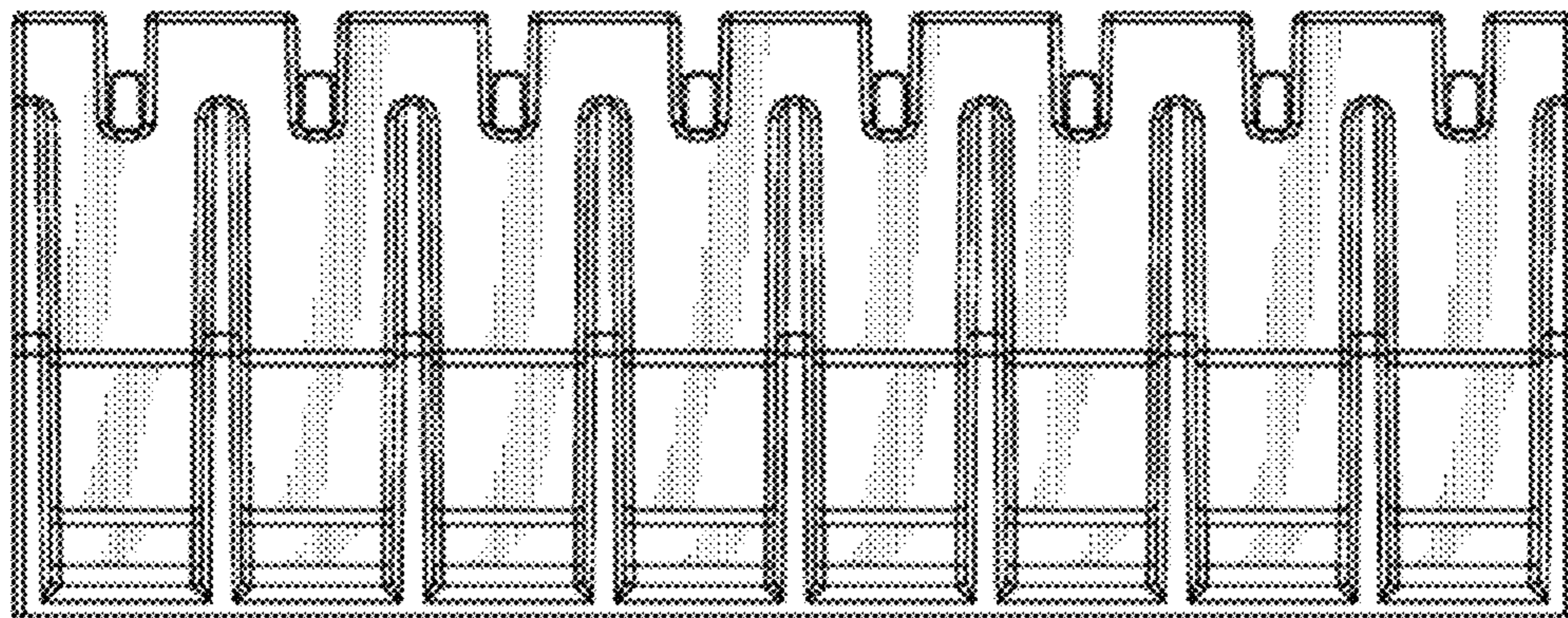


Fig. 16