



US00D766628S

(12) **United States Design Patent**
Hegarty

(10) **Patent No.:** **US D766,628 S**

(45) **Date of Patent:** **** Sep. 20, 2016**

(54) **TILT BIN**

(71) Applicant: **Liberty Hardware Mfg. Corp.,**
Winston-Salem, NC (US)

(72) Inventor: **Robert Douglas Hegarty,**
Winston-Salem, NC (US)

(73) Assignee: **Liberty Hardware Mfg. Corp.,**
Winston-Salem, NC (US)

(**) Term: **14 Years**

(21) Appl. No.: **29/526,634**

(22) Filed: **May 12, 2015**

(51) **LOC (10) Cl.** **06-06**

(52) **U.S. Cl.**
USPC **D6/683**

(58) **Field of Classification Search**
USPC D6/672, 683, 683.1; D19/75, 77, 86,
D19/90, 92, 100; D12/415-419
CPC A47F 10/02; A47F 1/06; A47F 1/04;
B65D 71/0003; B65D 2543/00222; B65D
2543/00296
See application file for complete search history.

(56) **References Cited**

U.S. PATENT DOCUMENTS

D274,012 S * 5/1984 Williams D3/304
5,183,175 A * 2/1993 Brown B65F 1/08
220/23.87

D373,873 S * 9/1996 Nguyen D34/1
D407,421 S * 3/1999 Strandell D15/80
D441,934 S * 5/2001 Leess D34/7
D455,158 S * 4/2002 Gray D15/80
D467,052 S * 12/2002 Van Lanningham, Jr. D34/1
D493,591 S * 7/2004 Skalka D34/7
D538,539 S * 3/2007 Richardson D3/314
D706,446 S * 6/2014 Ingber D24/224
D745,781 S * 12/2015 Hsu D3/304
D758,917 S * 6/2016 Smith D11/155

* cited by examiner

Primary Examiner — Kelley Donnelly

(74) *Attorney, Agent, or Firm* — Lora J. Graentzdoerffer

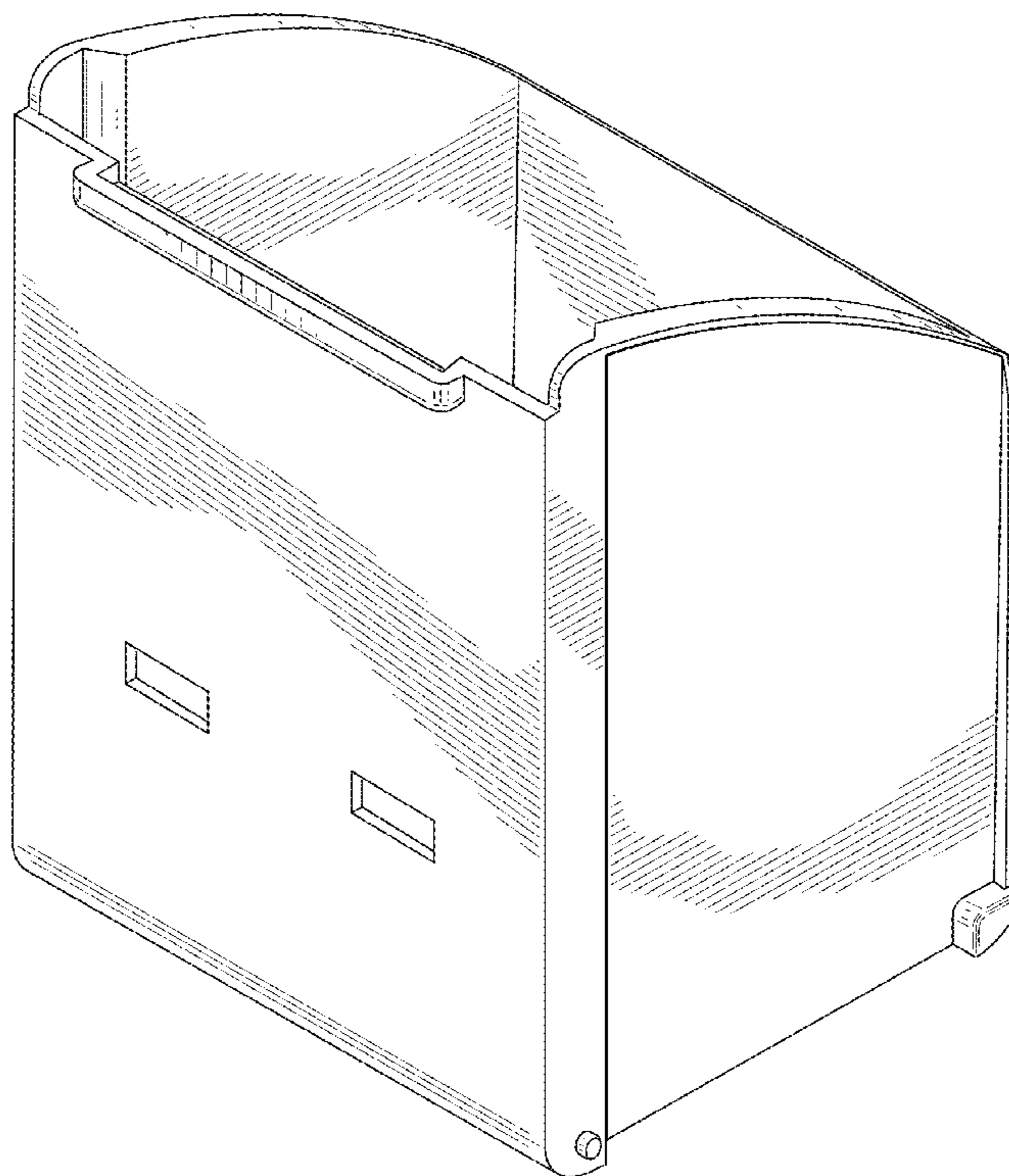
(57) **CLAIM**

The ornamental design for a tilt bin, as shown and described.

DESCRIPTION

FIG. 1 is a perspective view of a tilt bin showing my design;
FIG. 2 is a front elevation view;
FIG. 3 is a rear elevation view;
FIG. 4 is a right side elevation view;
FIG. 5 is a left side elevation view;
FIG. 6 is a top plan view; and,
FIG. 7 is a bottom plan view.

1 Claim, 7 Drawing Sheets



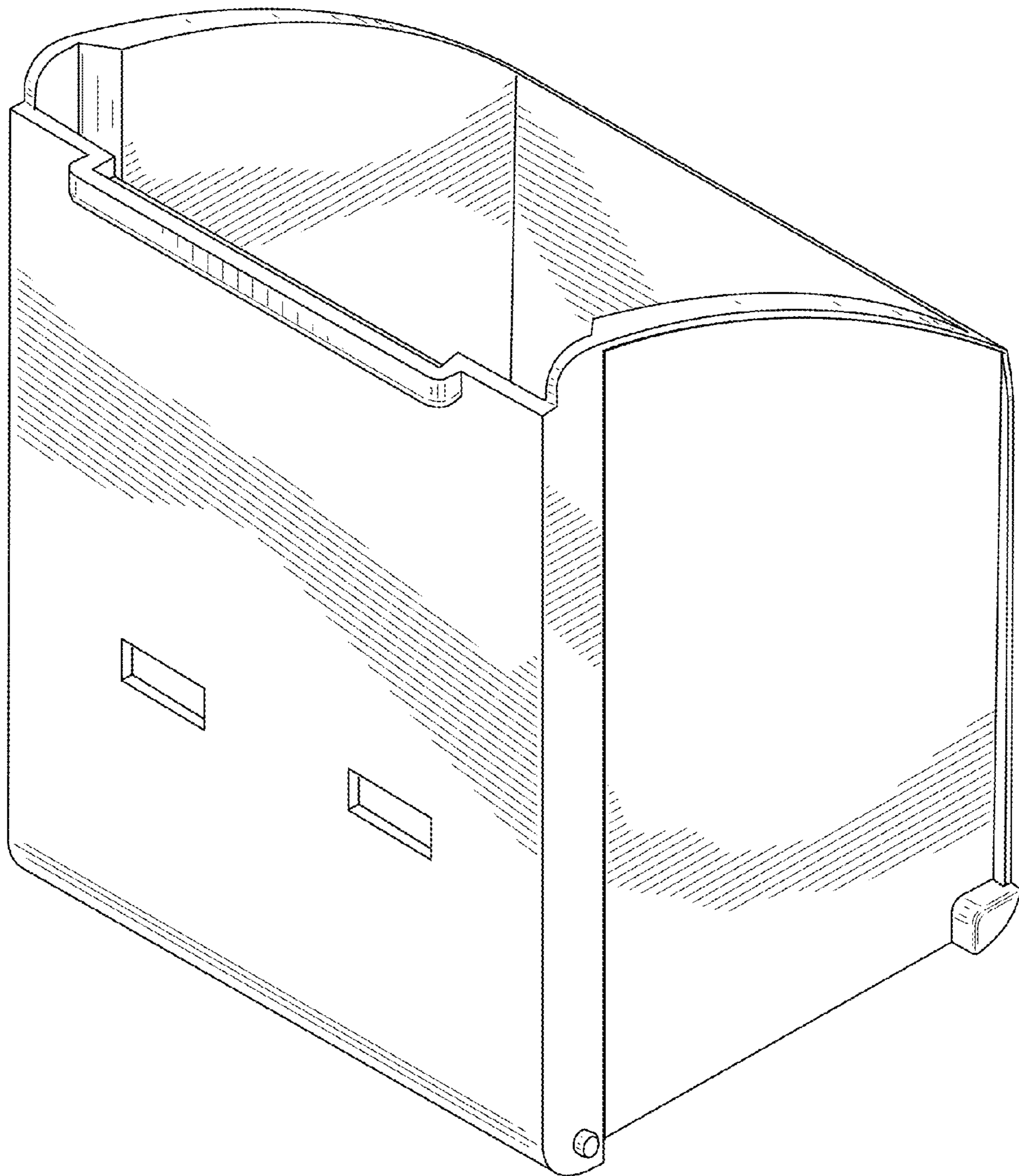


FIG. 1

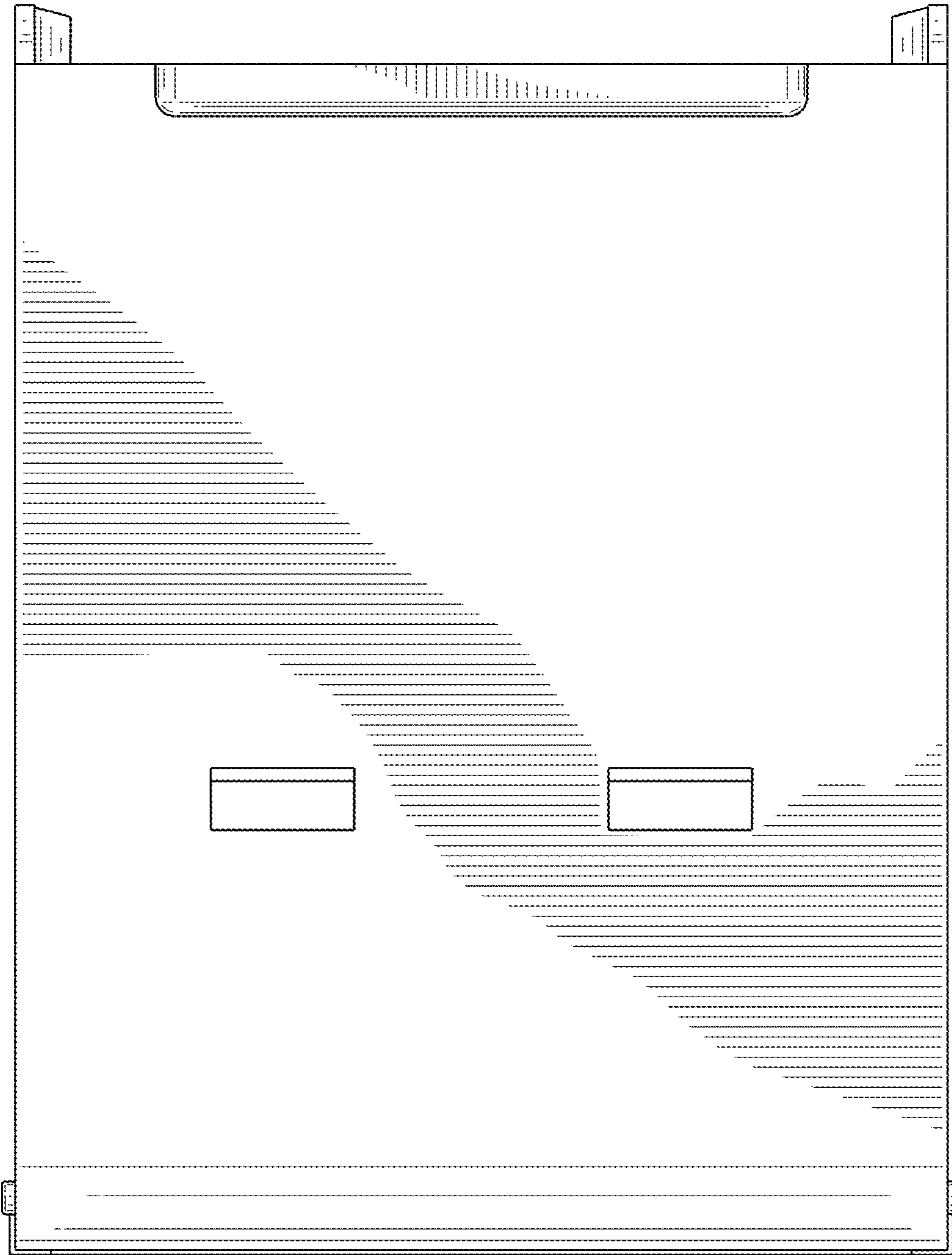


FIG. 2

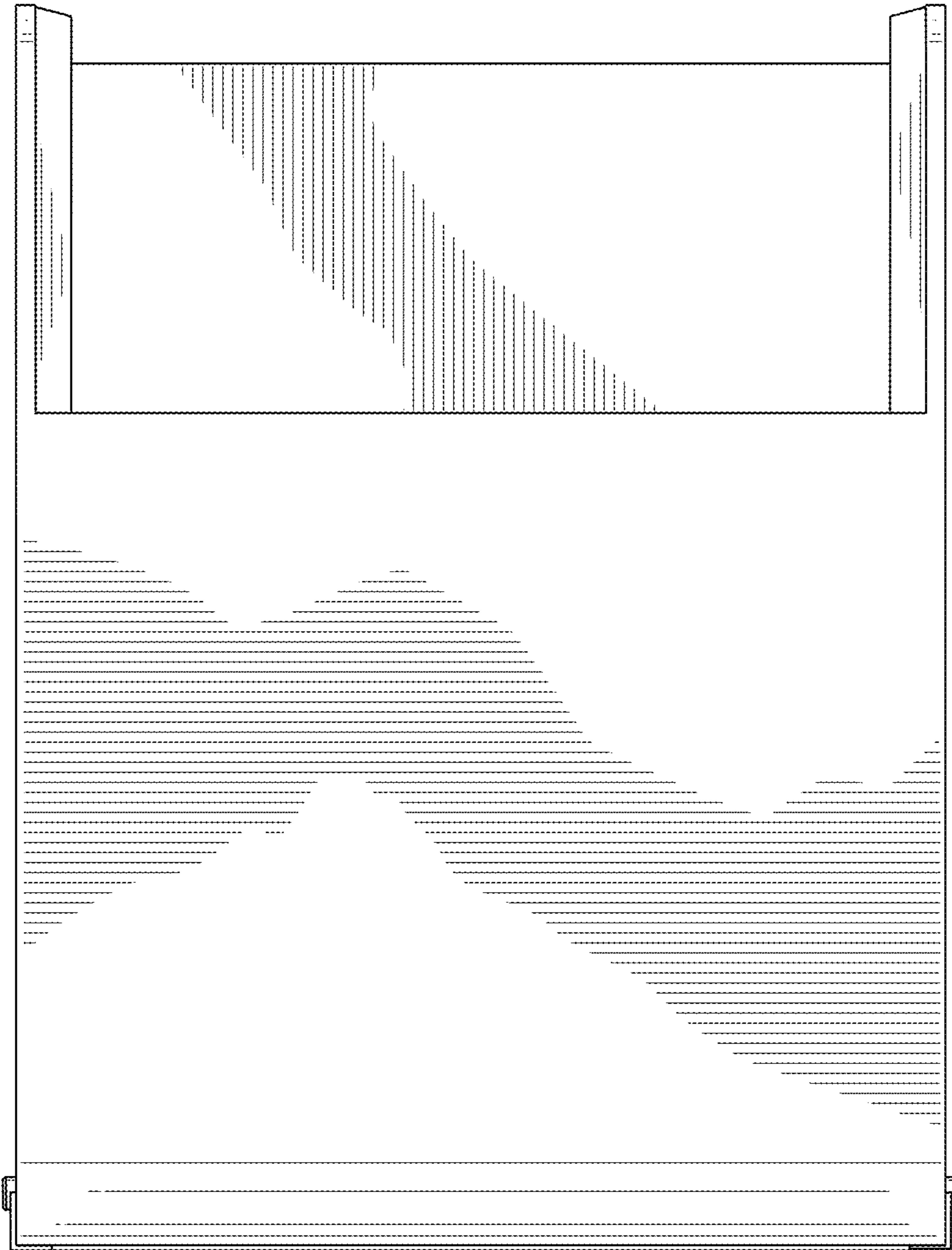


FIG. 3

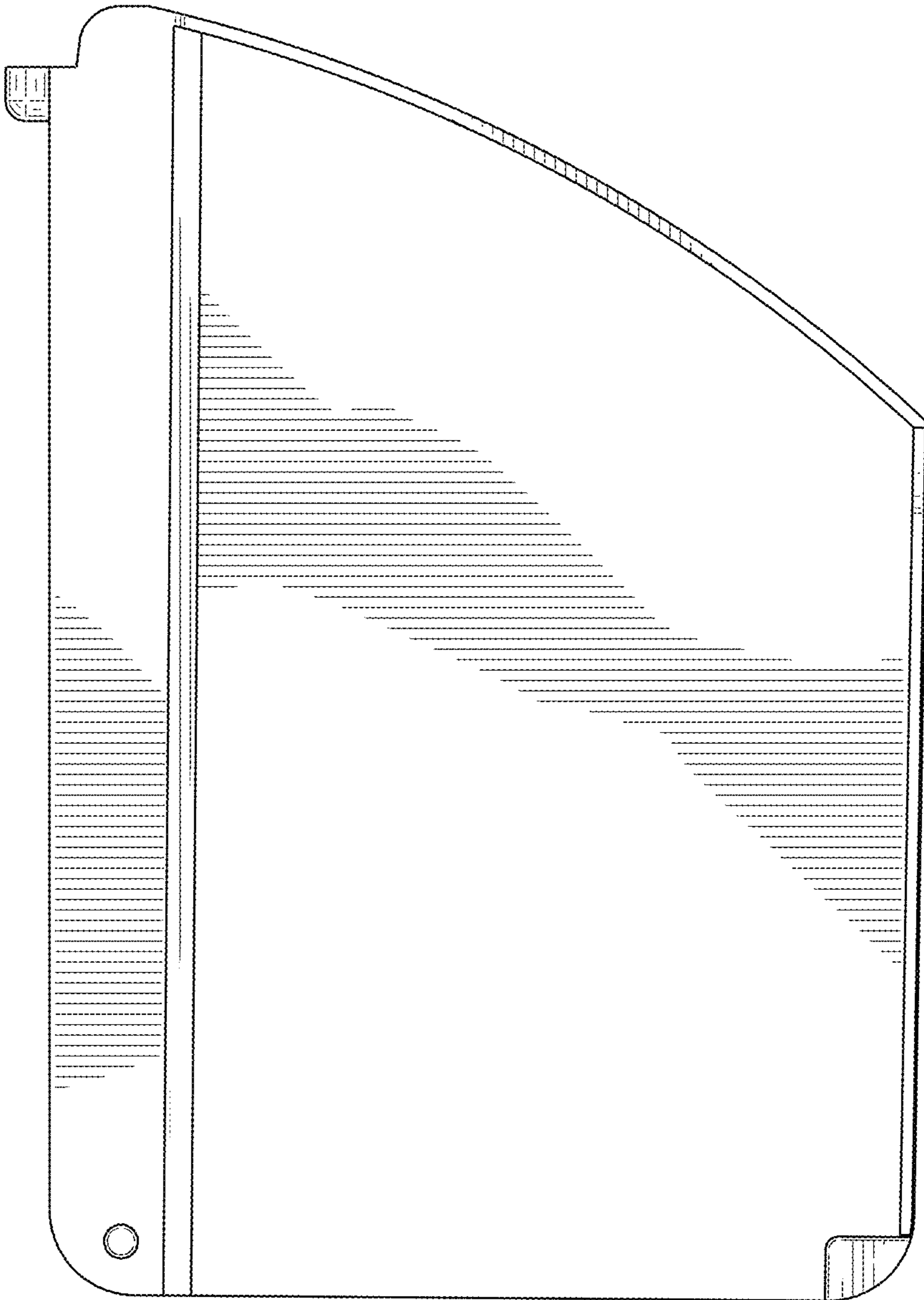


FIG. 4

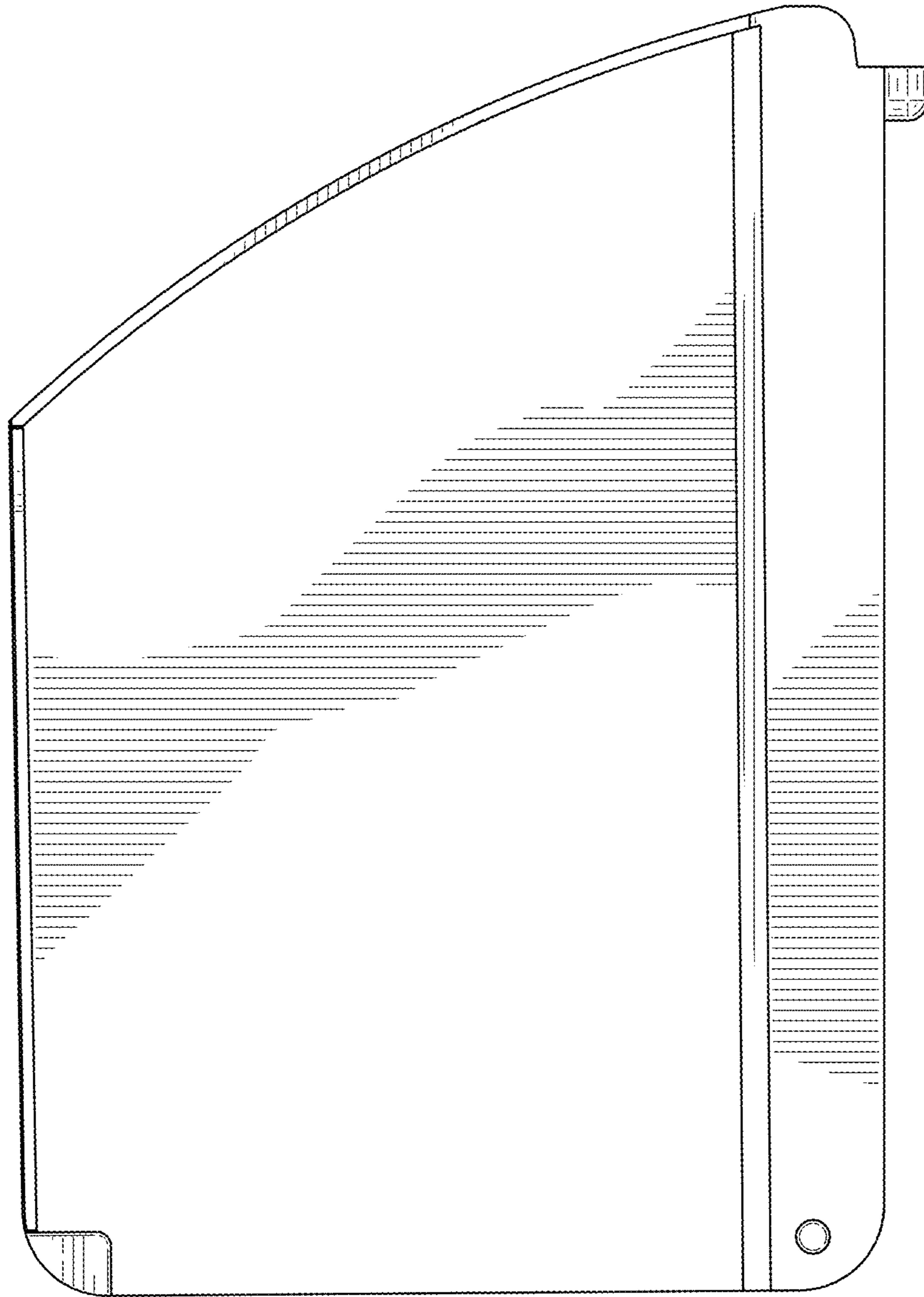


FIG. 5

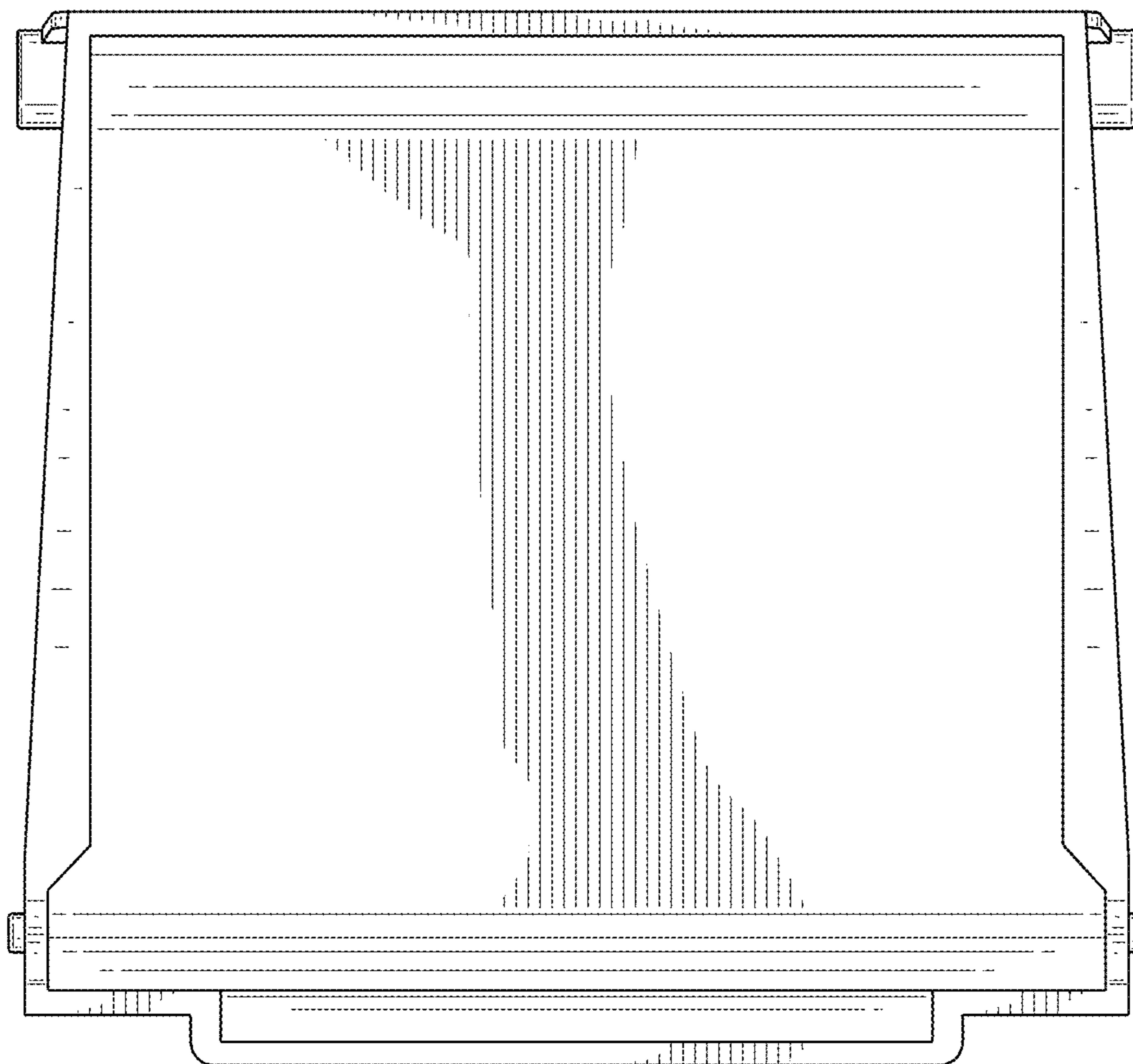


FIG. 6

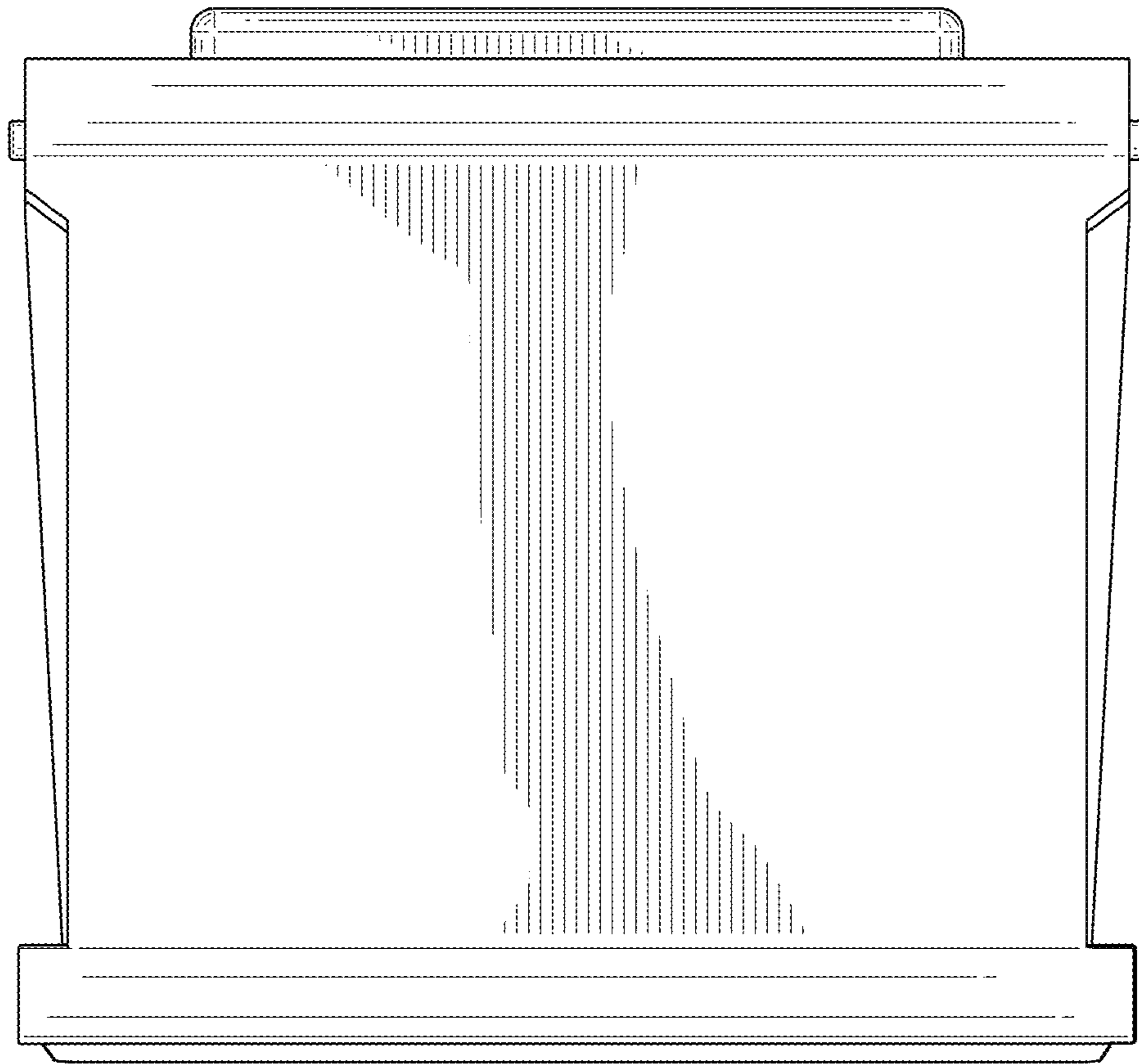


FIG. 7