



US00D76626S

(12) **United States Design Patent** (10) **Patent No.:** **US D766,626 S**  
**Peden et al.** (45) **Date of Patent:** **\*\* \*Sep. 20, 2016**

- (54) **END FRAME FOR SHELVES**
- (71) Applicants: **Robert Preston Peden**, Santa Clara, CA (US); **Shirley Ann Nathan**, Sunnyvale, CA (US)
- (72) Inventors: **Robert Preston Peden**, Santa Clara, CA (US); **Shirley Ann Nathan**, Sunnyvale, CA (US)
- (\*) Notice: This patent is subject to a terminal disclaimer.
- (\*\*) Term: **15 Years**
- (21) Appl. No.: **29/529,426**
- (22) Filed: **Jun. 6, 2015**
- (51) **LOC (10) Cl.** ..... **06-06**
- (52) **U.S. Cl.**  
USPC ..... **D6/675.3**
- (58) **Field of Classification Search**  
USPC ..... D6/641, 672, 675, 675.1, 675.3  
CPC . A47F 2003/066; A47F 5/0018; A47F 5/106  
See application file for complete search history.

D286,115 S *	10/1986	Evans	.....	D6/675.1
D301,413 S *	6/1989	Rosen	.....	D6/661
D303,879 S *	10/1989	Williams	.....	D6/673
D362,761 S *	10/1995	Hood	.....	D6/643.1
D364,055 S *	11/1995	Pakla	.....	D6/675.1
D518,665 S *	4/2006	Palmquist	.....	D6/675.1
D543,056 S *	5/2007	Chou	.....	D6/675.1
D618,932 S *	7/2010	Linder	.....	D6/675.1
D647,329 S *	10/2011	Ward	.....	D6/675.3
D706,064 S *	6/2014	Ota	.....	D6/675.3
D712,181 S *	9/2014	Martell	.....	D6/675.1
D722,459 S *	2/2015	Schluetter	.....	D6/675.3

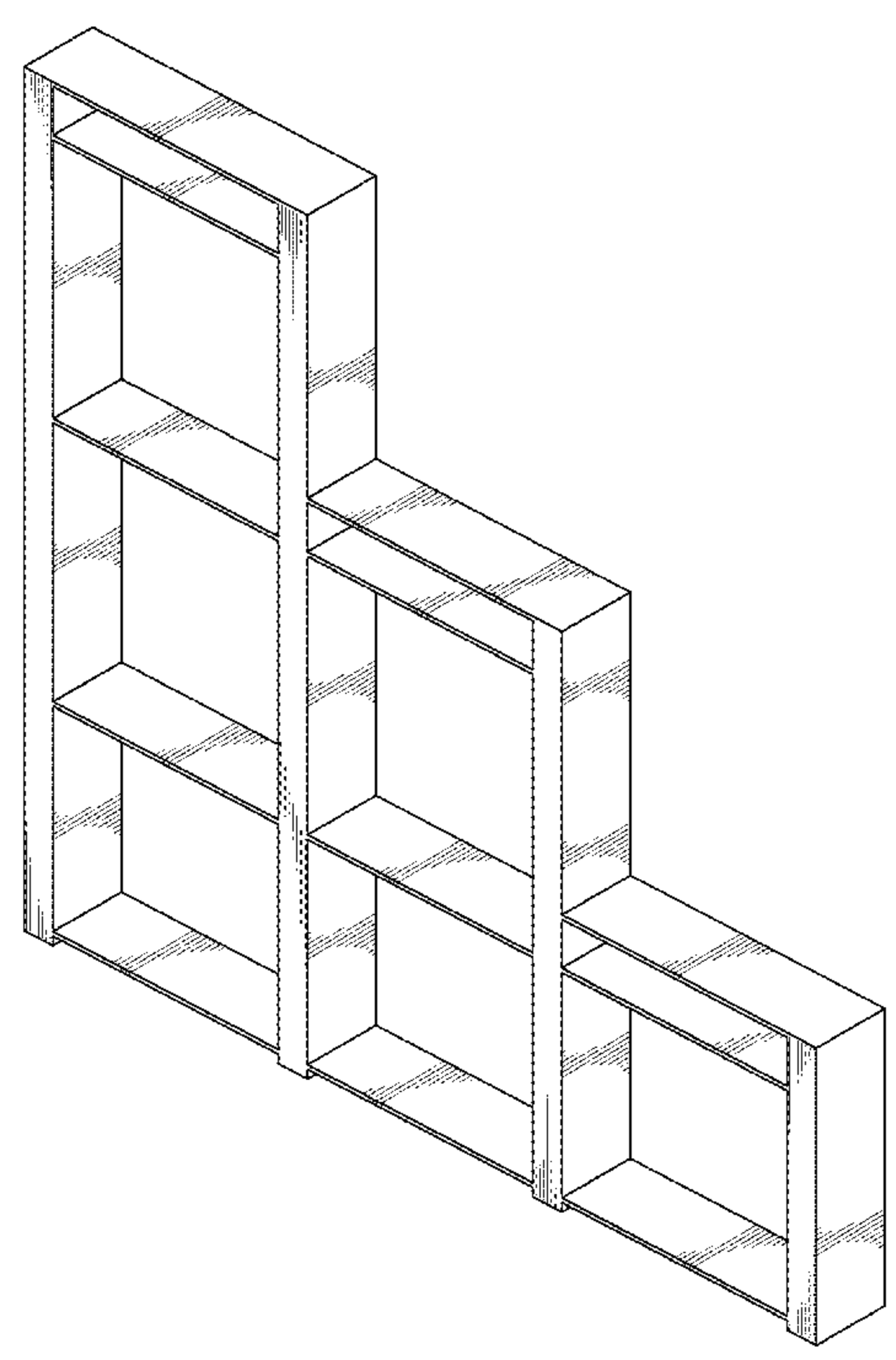
\* cited by examiner  
*Primary Examiner* — Kelley Donnelly

- (56) **References Cited**  
U.S. PATENT DOCUMENTS  
D233,294 S \* 10/1974 Goulder ..... D6/675.3  
D241,217 S \* 8/1976 Cohen ..... D6/675.3  
D244,077 S \* 4/1977 Saltz ..... D6/675.1  
D251,947 S \* 5/1979 Taniwaki ..... D6/675.1

(57) **CLAIM**  
An ornamental design for an end frame for shelves, as shown and described.

**DESCRIPTION**  
FIG. 1 is a perspective view of an end frame for shelves showing our new design.  
FIG. 2 is a right side elevational view of the end frame of FIG. 1, the left side view being a mirror image thereof.  
FIG. 3 is a front elevational view of the end frame of FIG. 1.  
FIG. 4 is a back elevational view of the end frame of FIG. 1.  
FIG. 5 is a top plan view of the end frame of FIG. 1; and, FIG. 6 is a bottom plan view of the end frame of FIG. 1.

**1 Claim, 3 Drawing Sheets**



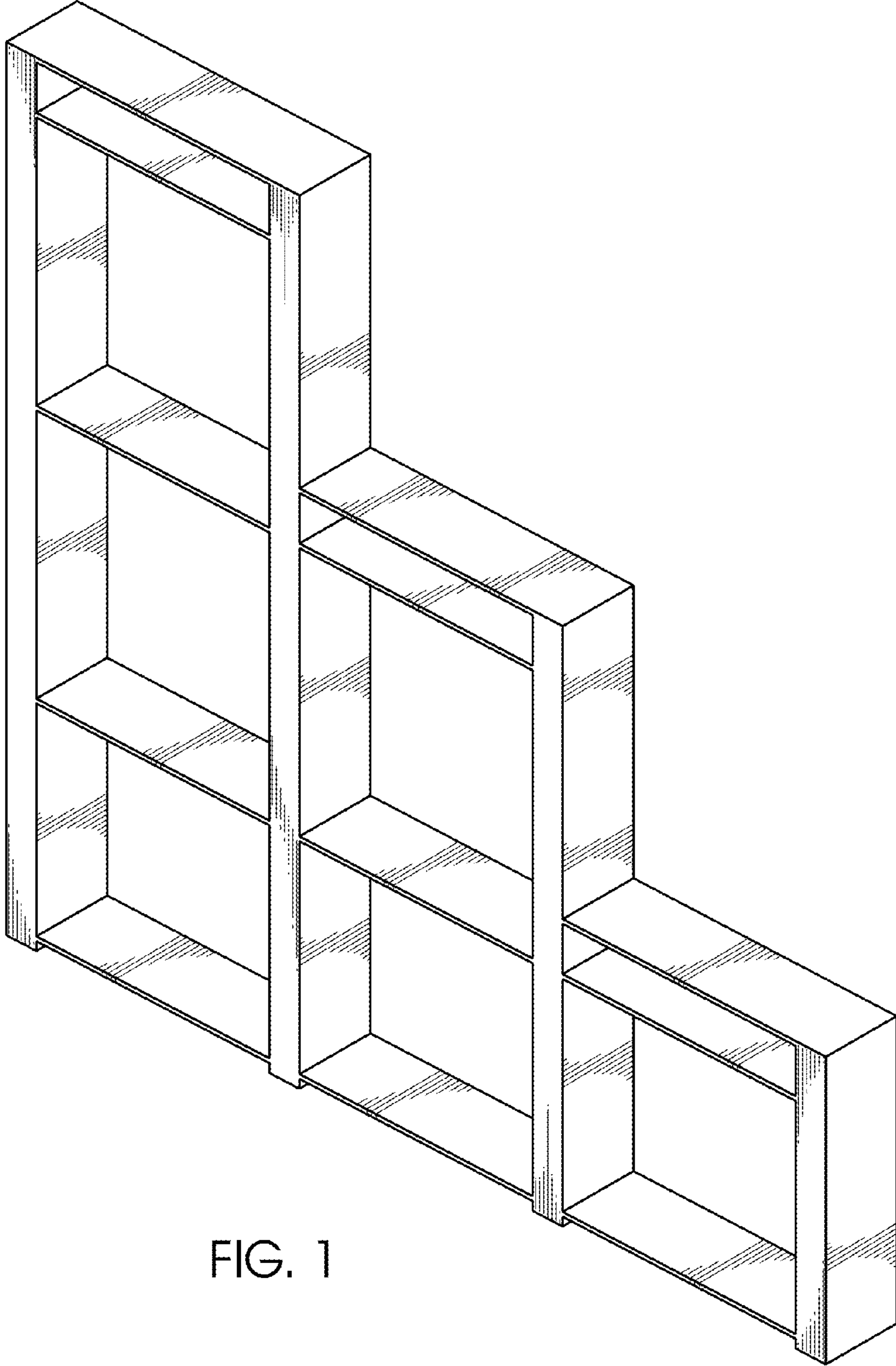


FIG. 1

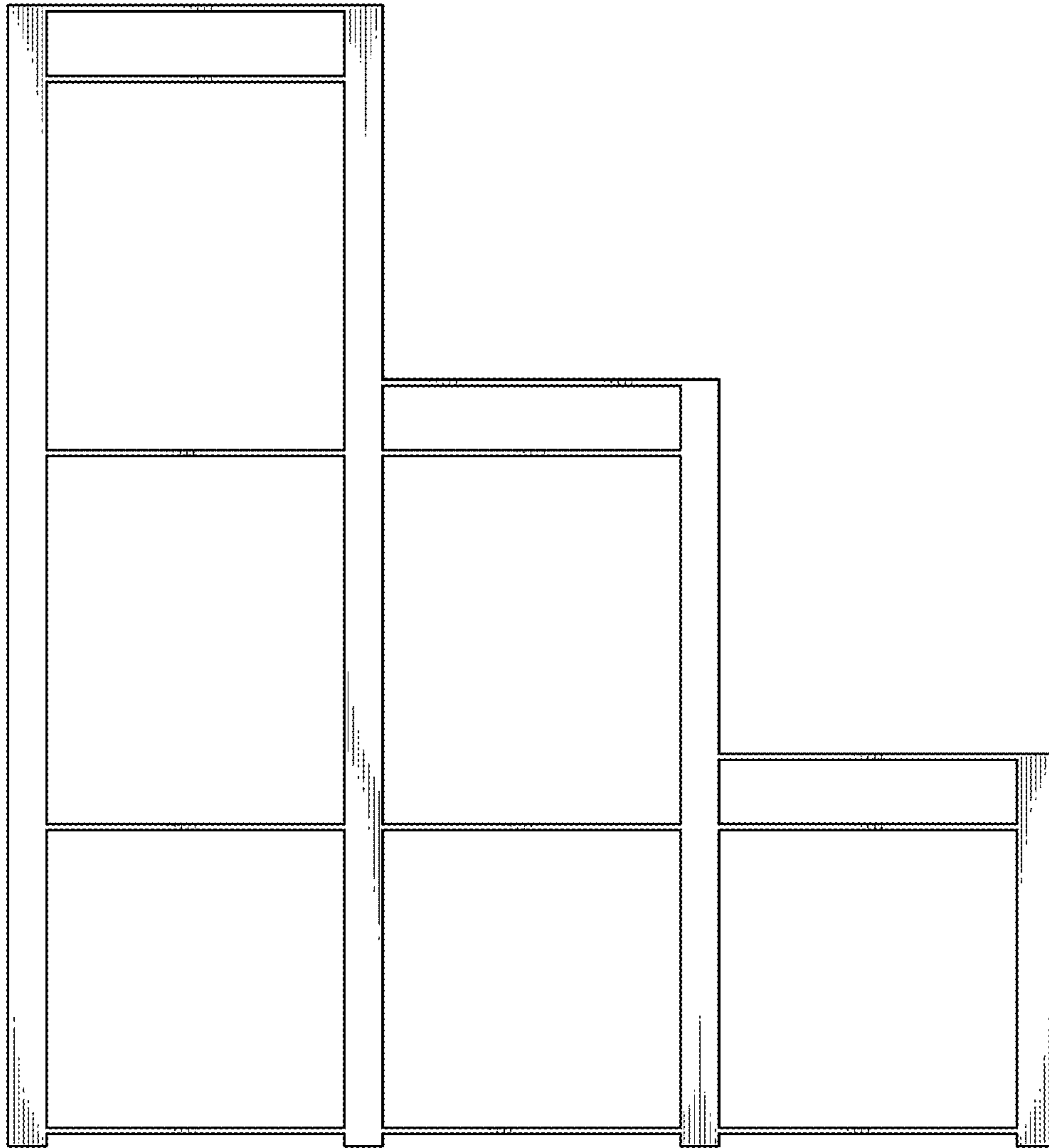


FIG. 2

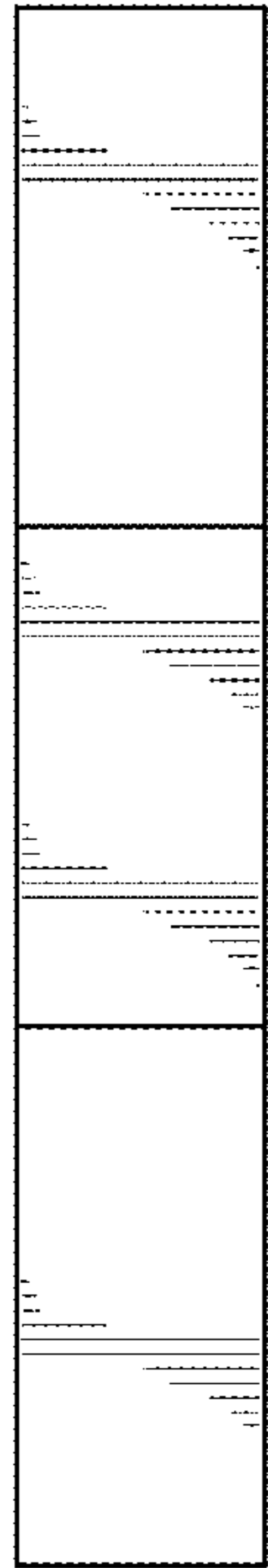


FIG. 3

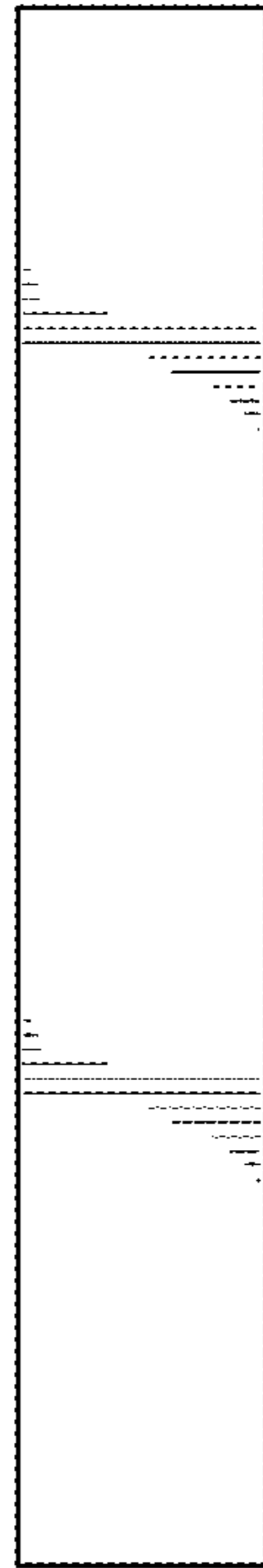


FIG. 4

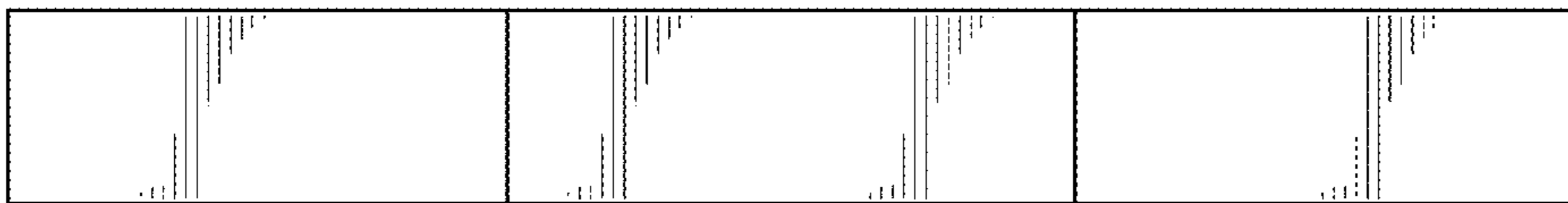


FIG. 5

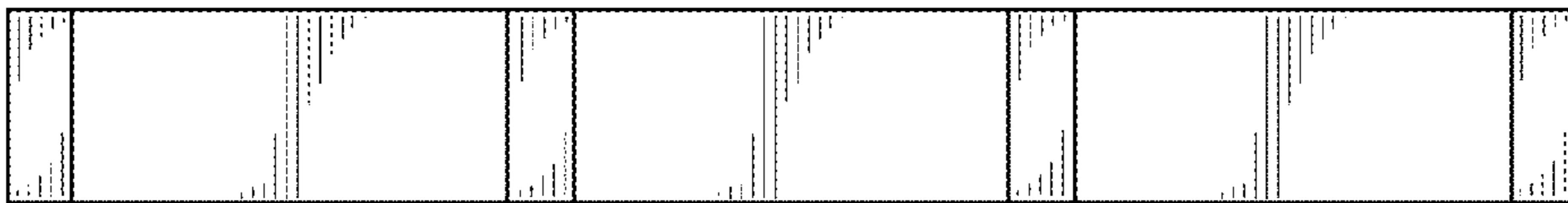


FIG. 6