



US00D766625S

(12) **United States Design Patent** (10) **Patent No.:** **US D766,625 S**
Johnson et al. (45) **Date of Patent:** **** *Sep. 20, 2016**

(54) **DISPLAY UNIT**
(71) Applicant: **Target Brands, Inc.**, Minneapolis, MN (US)
(72) Inventors: **Jason W. Johnson**, Wayzata, MN (US); **Timothy J. Martell**, Brooklyn Park, MN (US); **Blake M. Johnson**, Saint Paul, MN (US)

D447,891 S * 9/2001 Wood D6/687
D614,889 S * 5/2010 Van Duysen D6/691.5
D686,438 S * 7/2013 Denby D6/687
D694,558 S 12/2013 Denby et al.
8,752,718 B2 * 6/2014 Stukenberg A47G 25/0664
211/87.01
8,905,484 B2 * 12/2014 Kim A47C 7/62
108/25
D730,662 S * 6/2015 Trinh D6/672

(73) Assignee: **Target Brands, Inc.**, Minneapolis, MN (US)

U.S. Appl. No. 29/502,318, entitled "Display Unit", filed Sep. 15, 2014, 20 pages.

(*) Notice: This patent is subject to a terminal disclaimer.

(Continued)

(**) Term: **14 Years**

Primary Examiner — Kelley Donnelly
(74) *Attorney, Agent, or Firm* — Leanne Taveggia Farrell; Westman, Champlin & Koehler, P.A.

(21) Appl. No.: **29/515,782**

(57) **CLAIM**

(22) Filed: **Jan. 27, 2015**

The ornamental design for a display unit, as shown and described.

(51) **LOC (10) Cl.** **06-06**

(52) **U.S. Cl.**
USPC **D6/675.3**

DESCRIPTION

(58) **Field of Classification Search**
USPC D6/429, 460–461, 464, 468, 474, D6/477–479, 672, 675, 675.1, 675.3; 108/11, 59, 65, 91–92, 96, 137; 211/42, 85, 87.01, 90.01, 107, 111, 211/119.003, 134, 186, 189, 195
CPC A47F 3/004; A47F 5/0081; A47B 8/007
See application file for complete search history.

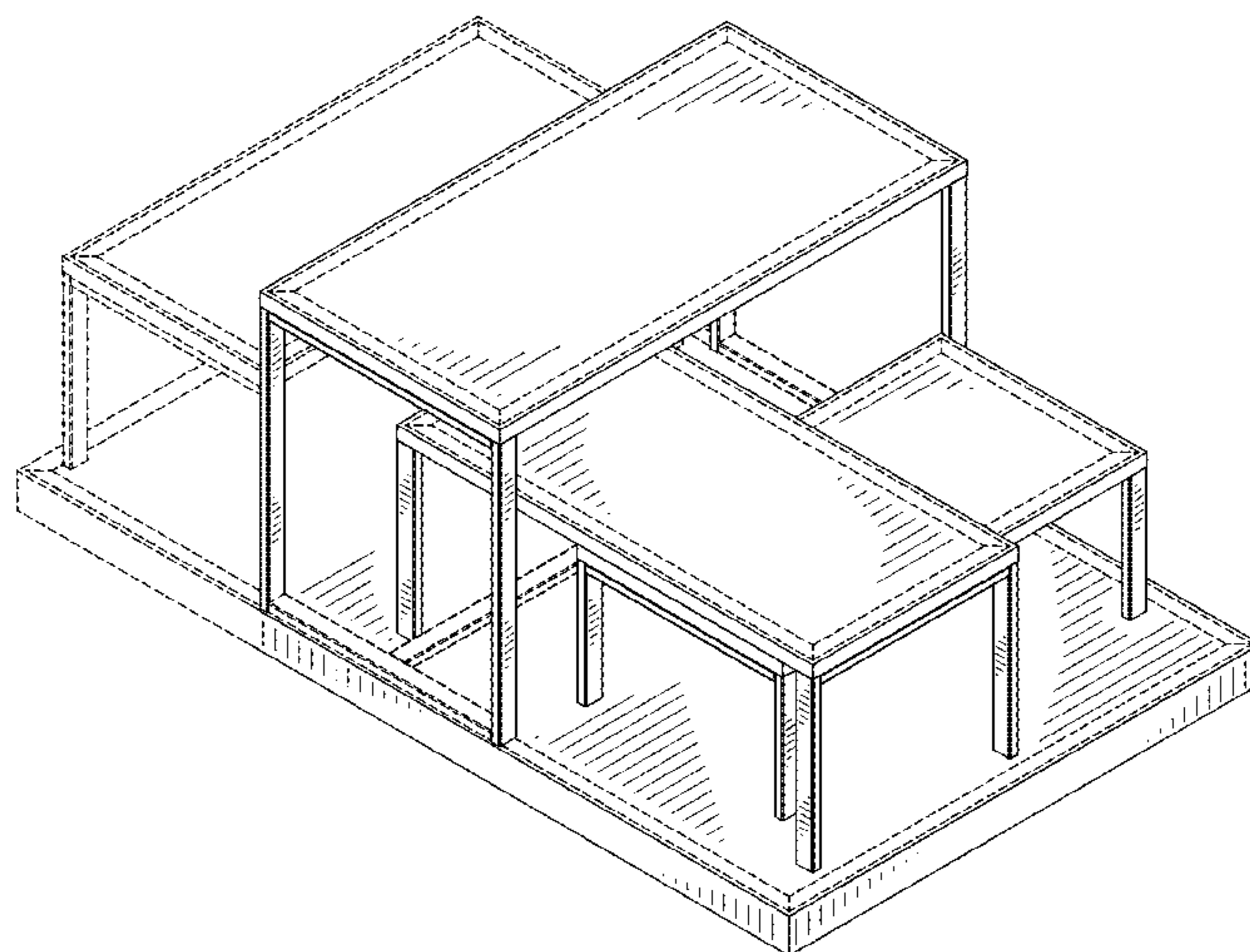
FIG. 1 is a perspective view of a first embodiment of a display unit showing our new design;
FIG. 2 is a front view thereof;
FIG. 3 is a back view thereof;
FIG. 4 is a left side view thereof;
FIG. 5 is a right side view thereof;
FIG. 6 is a top view thereof;
FIG. 7 is a perspective view of a second embodiment of the display unit;
FIG. 8 is a front view of FIG. 7;
FIG. 9 is a back view of FIG. 7;
FIG. 10 is a left side view of FIG. 7;
FIG. 11 is a right side view of FIG. 7; and,
FIG. 12 is a right side view of FIG. 7.
The broken lines illustrate portions of the display unit and form no part of the claimed design.

(56) **References Cited**

U.S. PATENT DOCUMENTS

D220,704 S * 5/1971 Krammer D6/691.8
4,706,576 A * 11/1987 James A47B 57/545
108/106
D321,102 S * 10/1991 Newhouse D6/648
5,613,448 A * 3/1997 Petty A47B 7/02
108/91
D401,790 S * 12/1998 Buell D6/687

1 Claim, 8 Drawing Sheets



(56)

References Cited

OTHER PUBLICATIONS

U.S. Appl. No. 29/502,320, entitled "Display Unit", filed Sep. 15, 2014, 9 pages.

U.S. Appl. No. 29/502,322, entitled "Display Unit", filed Sep. 15, 2014, 24 pages.

U.S. Appl. No. 29/493,082, filed Jun. 5 2014, 7 pages.

* cited by examiner

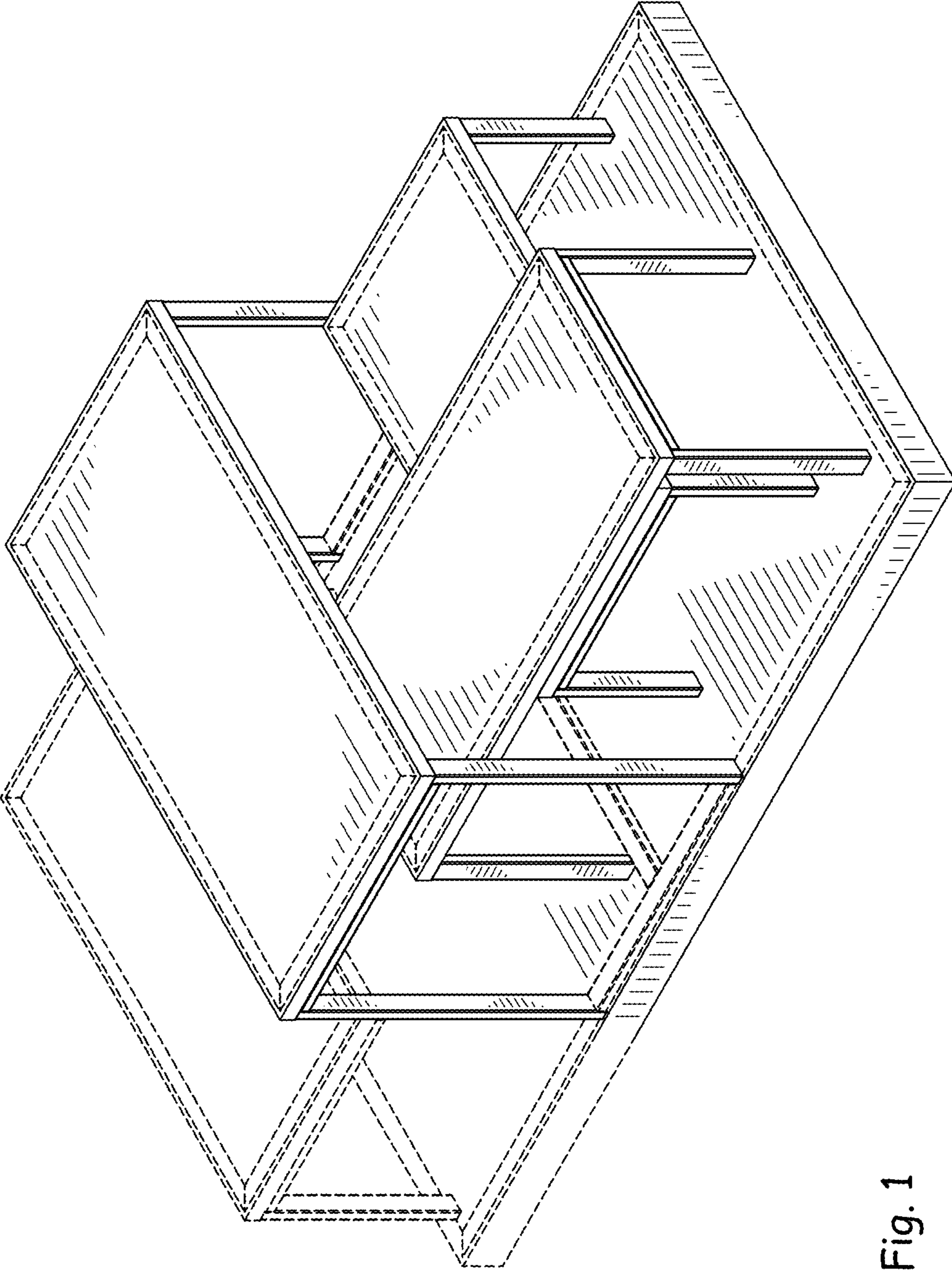


Fig. 1

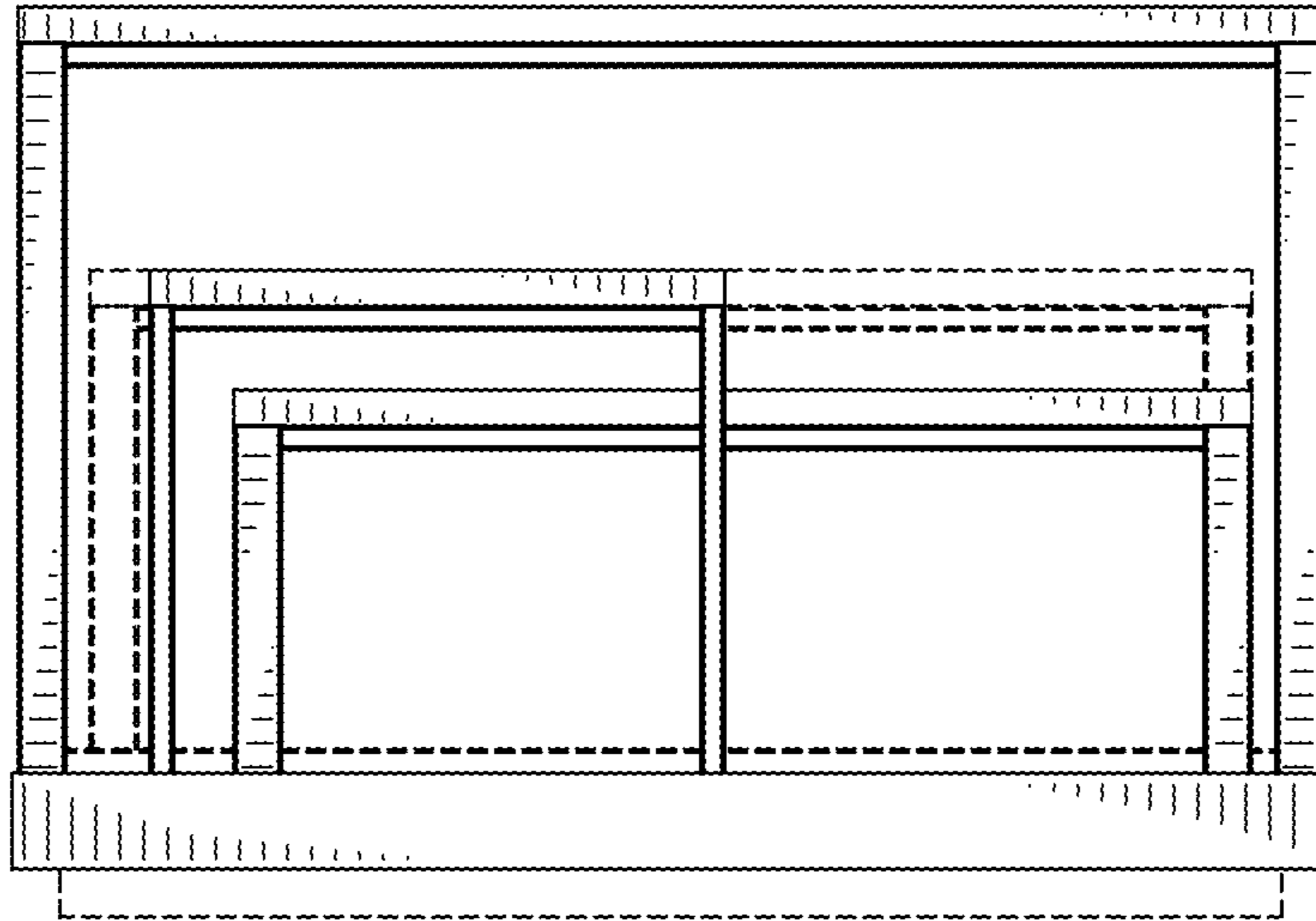


Fig. 2

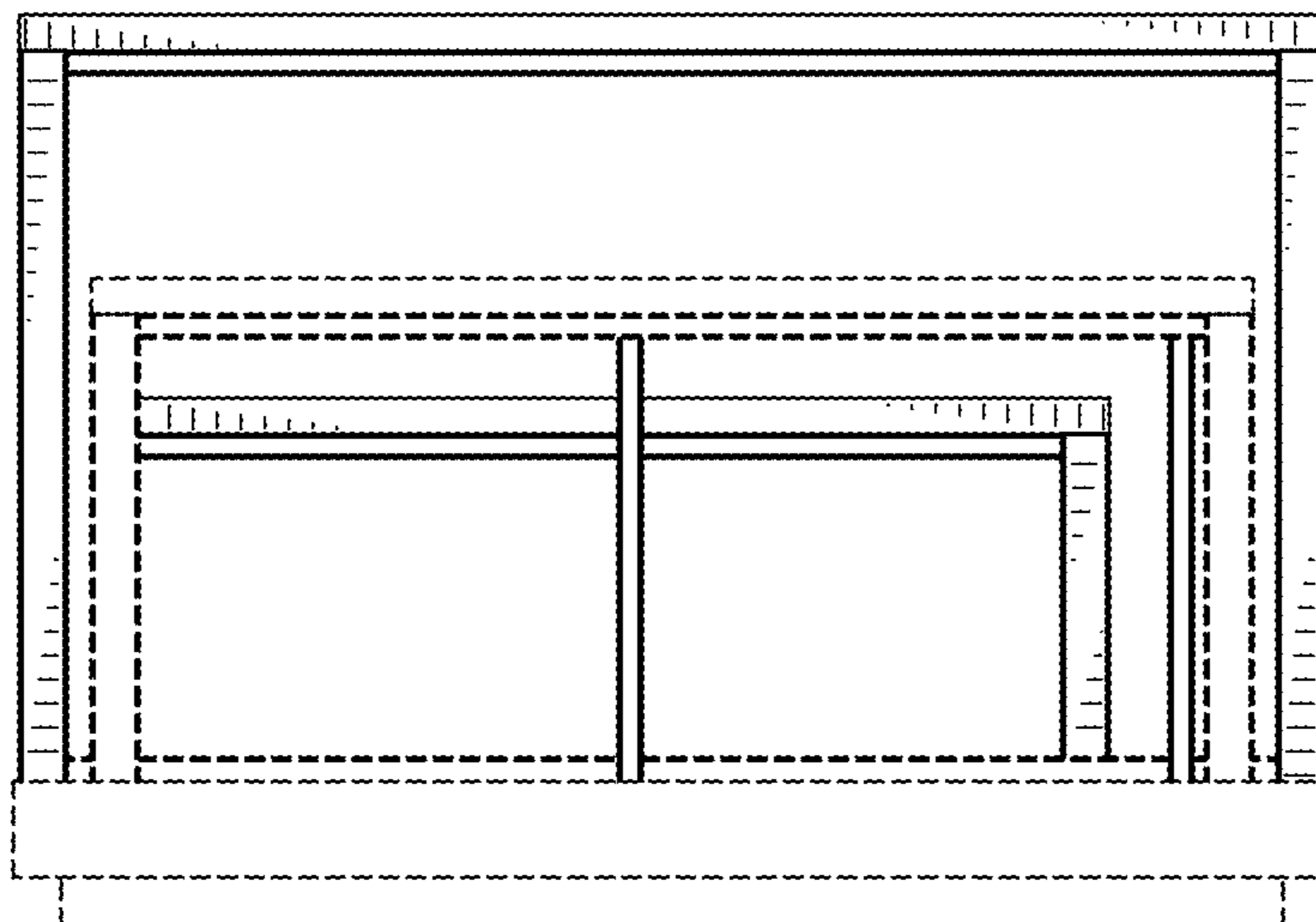


Fig. 3

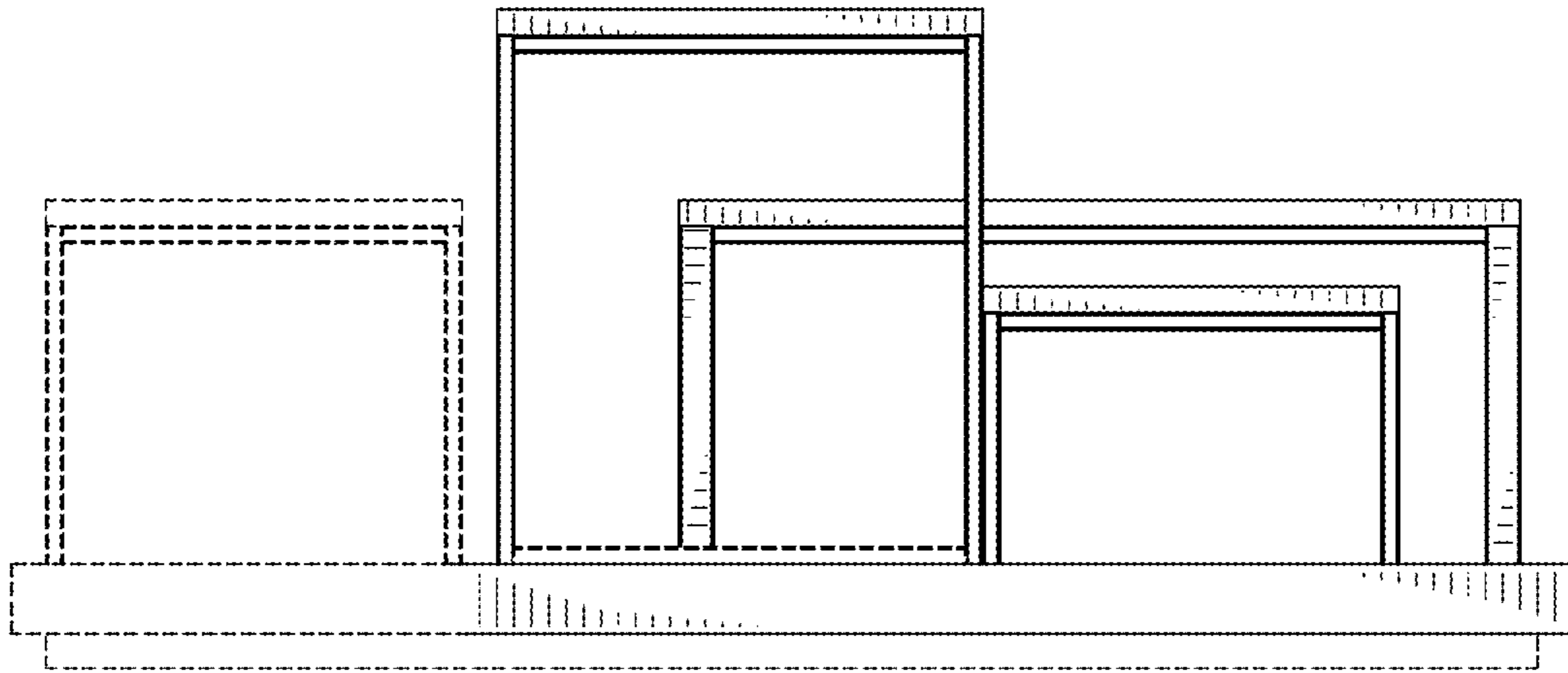


Fig. 4

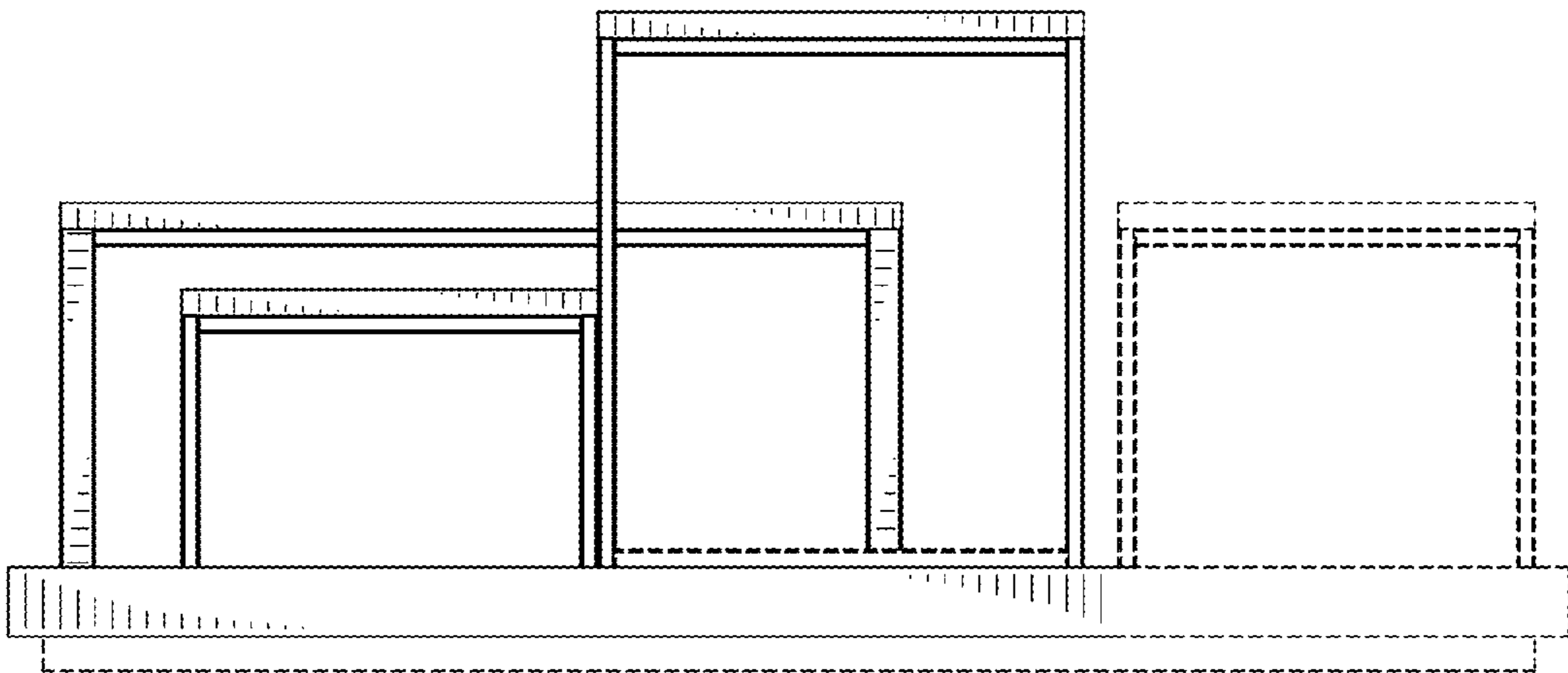


Fig. 5

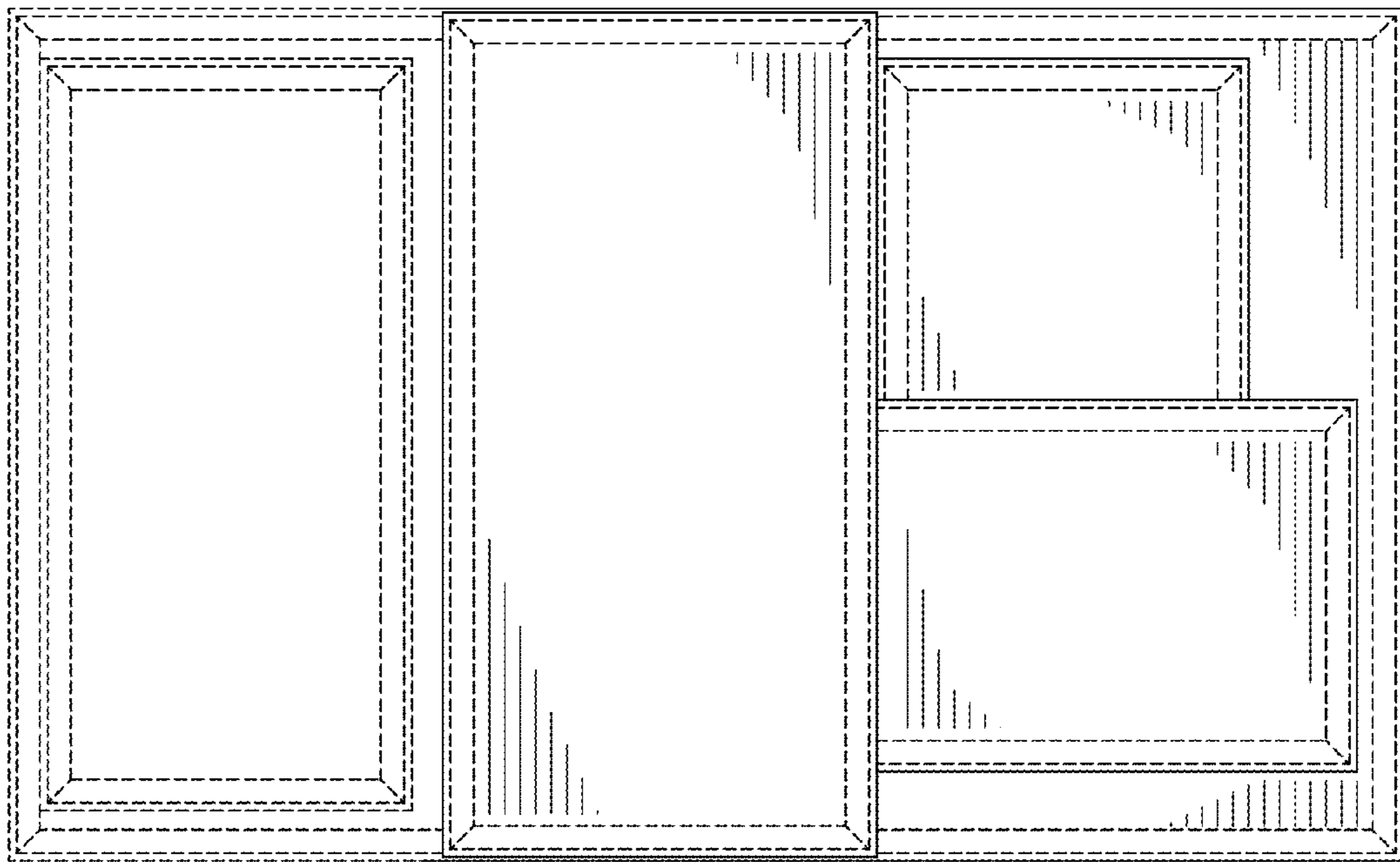


Fig. 6

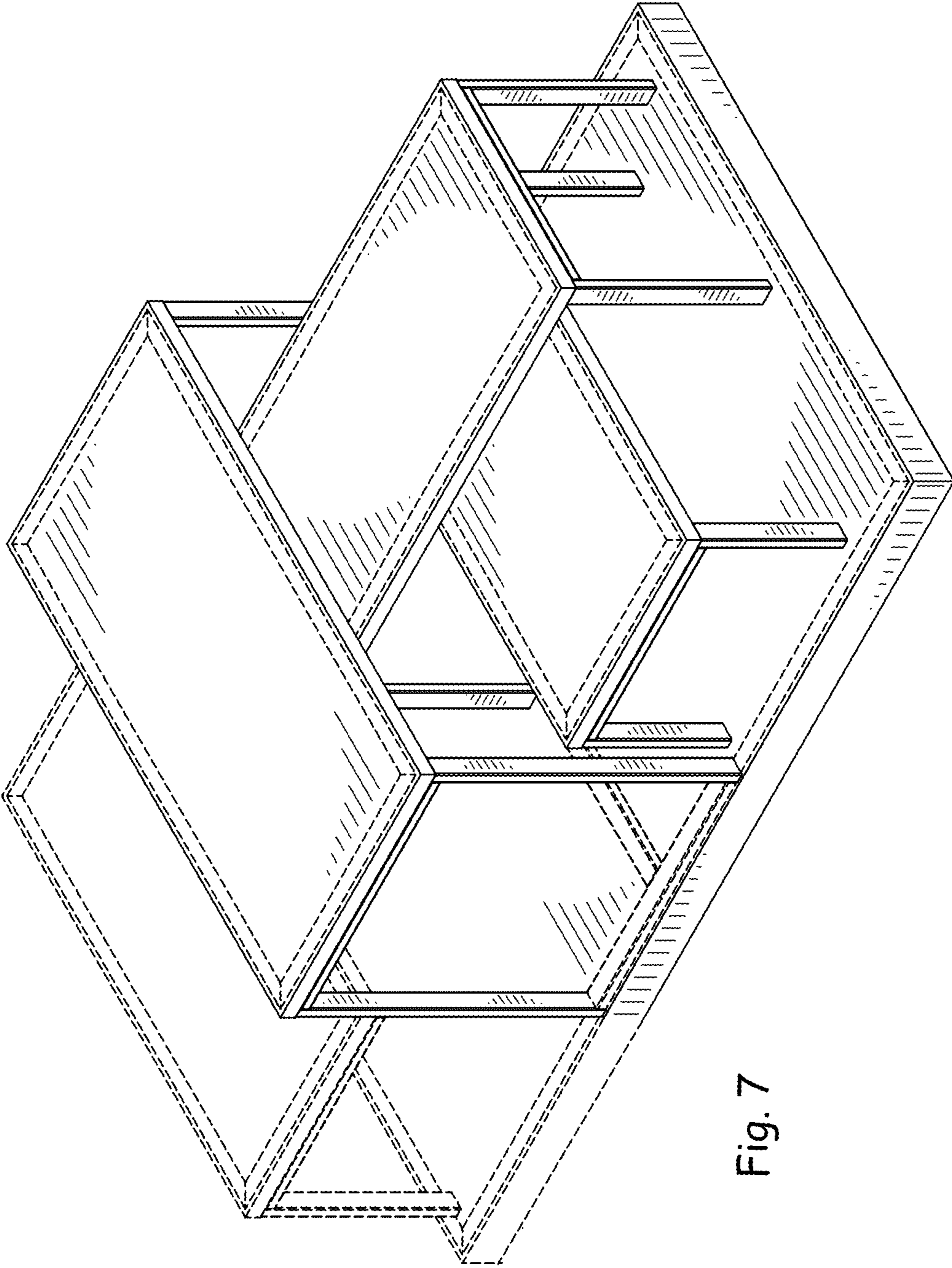


Fig. 7

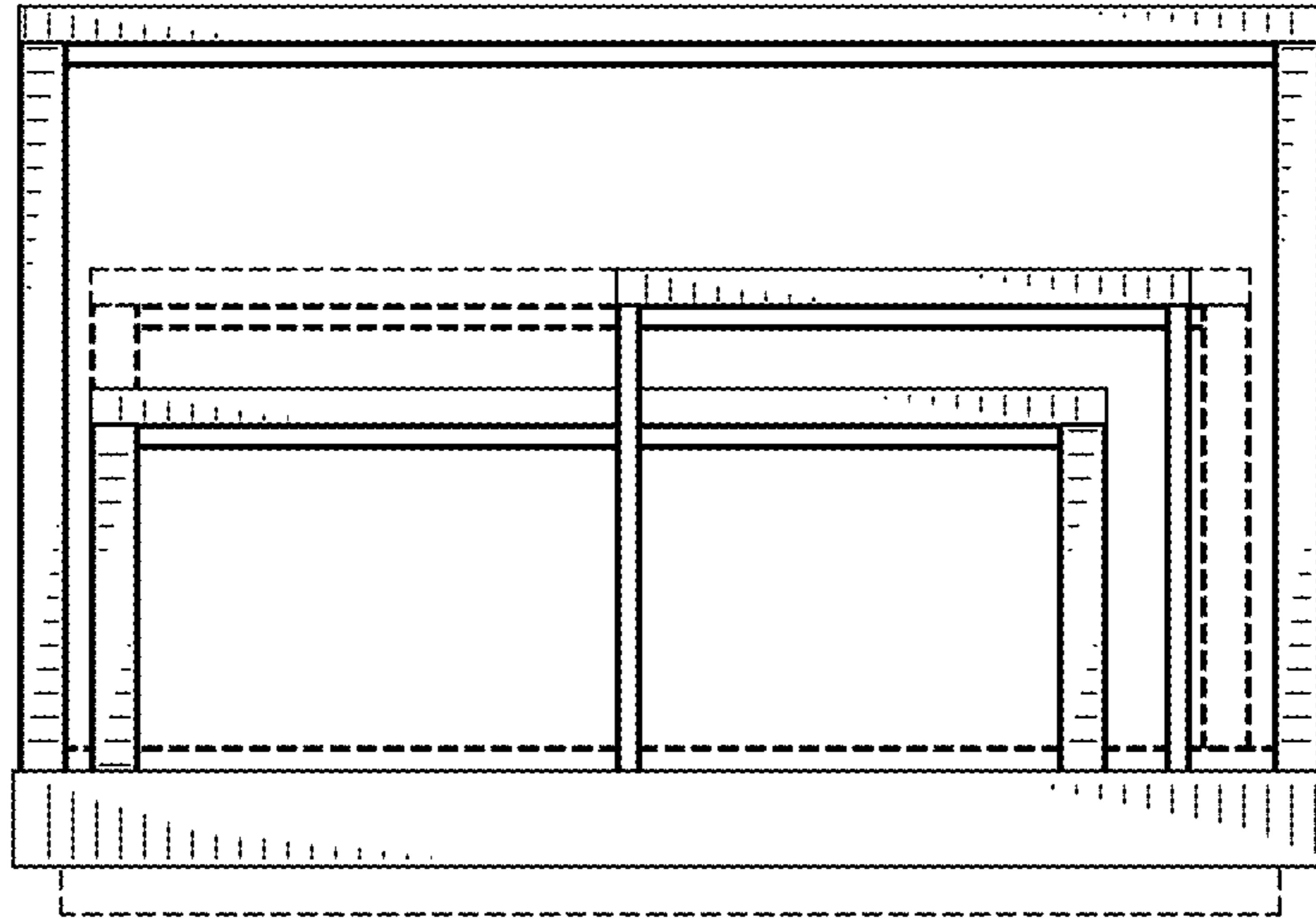


Fig. 8

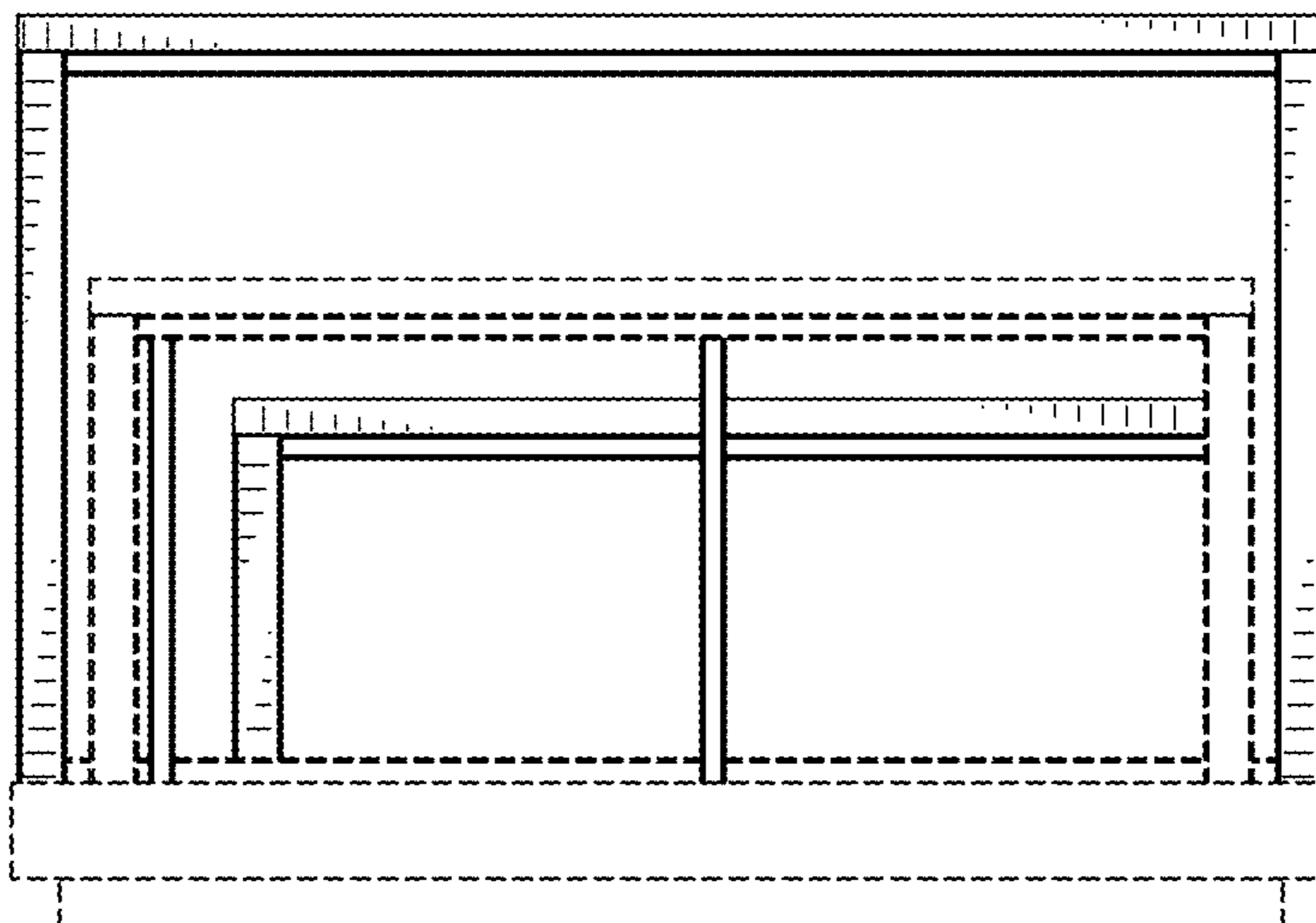


Fig. 9

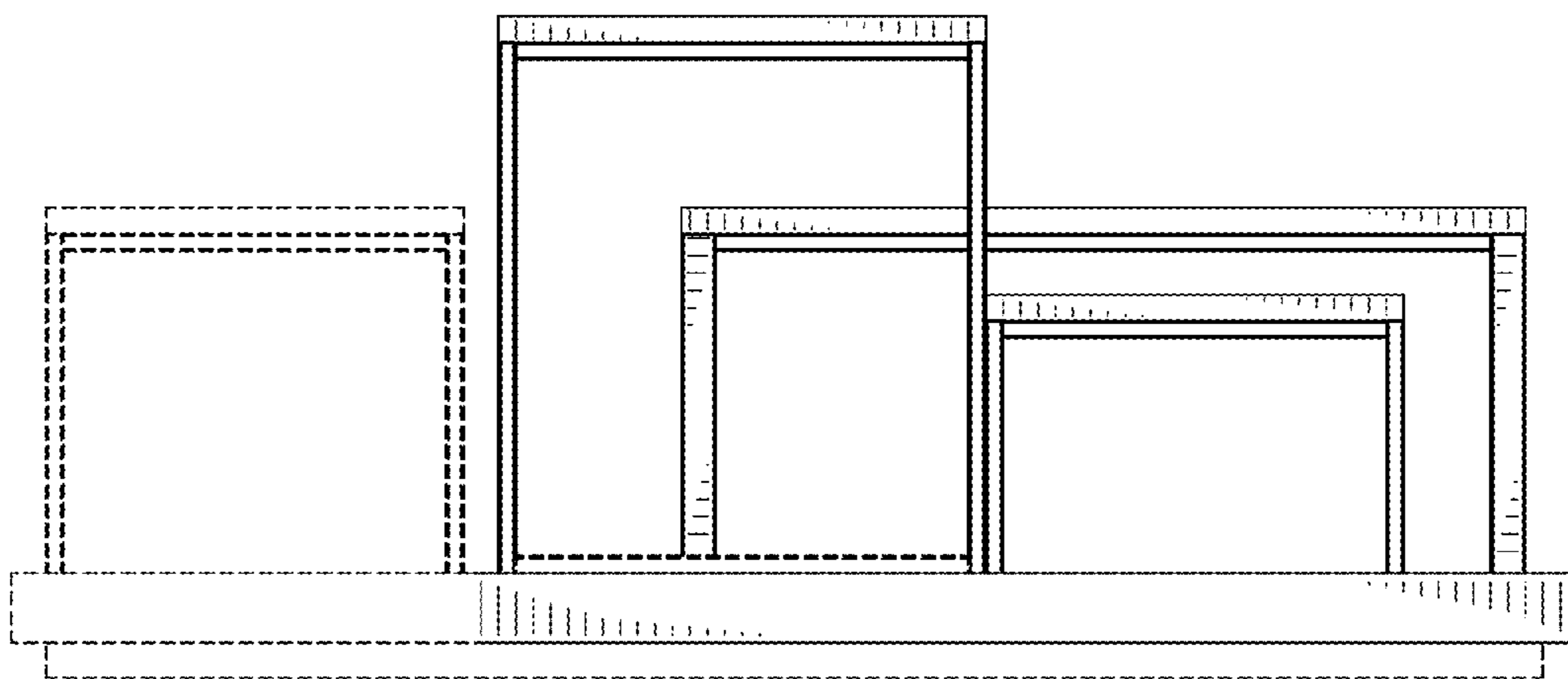


Fig. 10

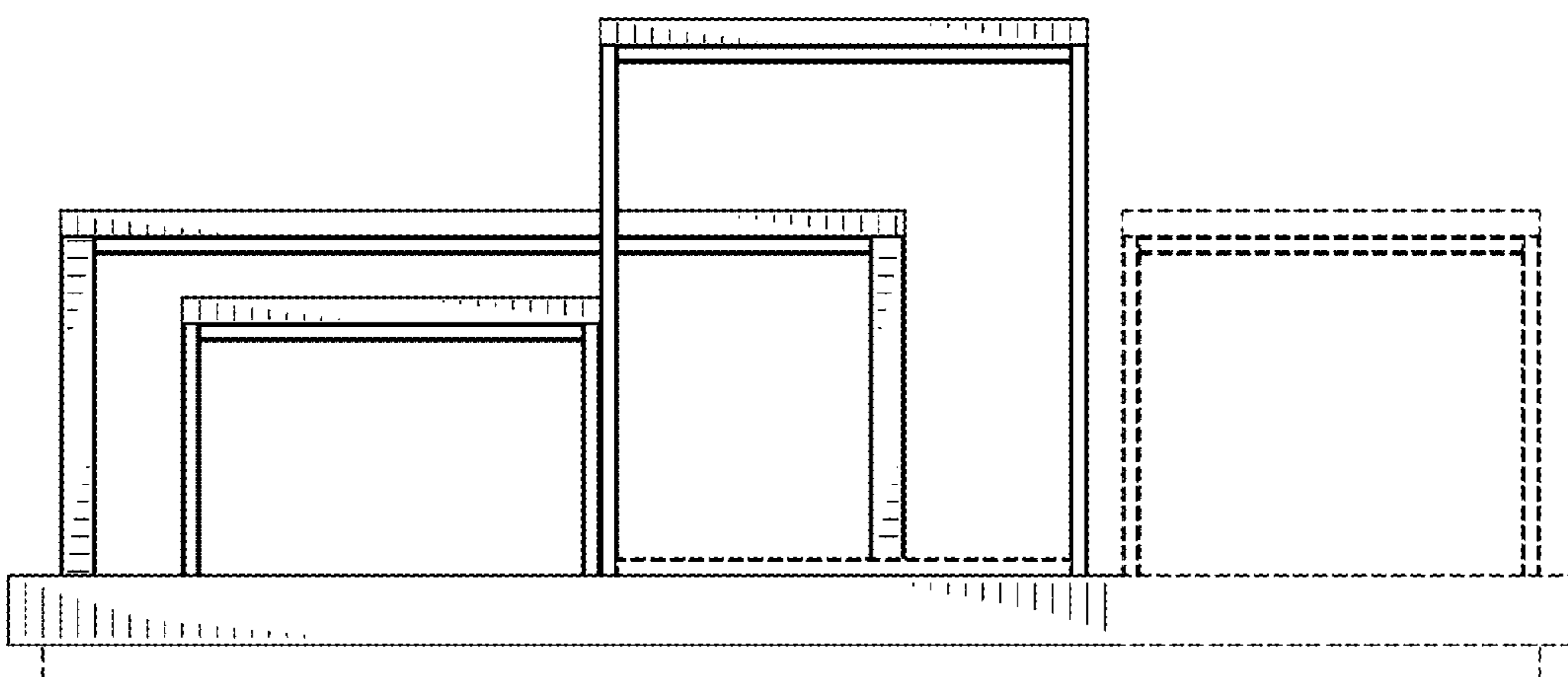


Fig. 11

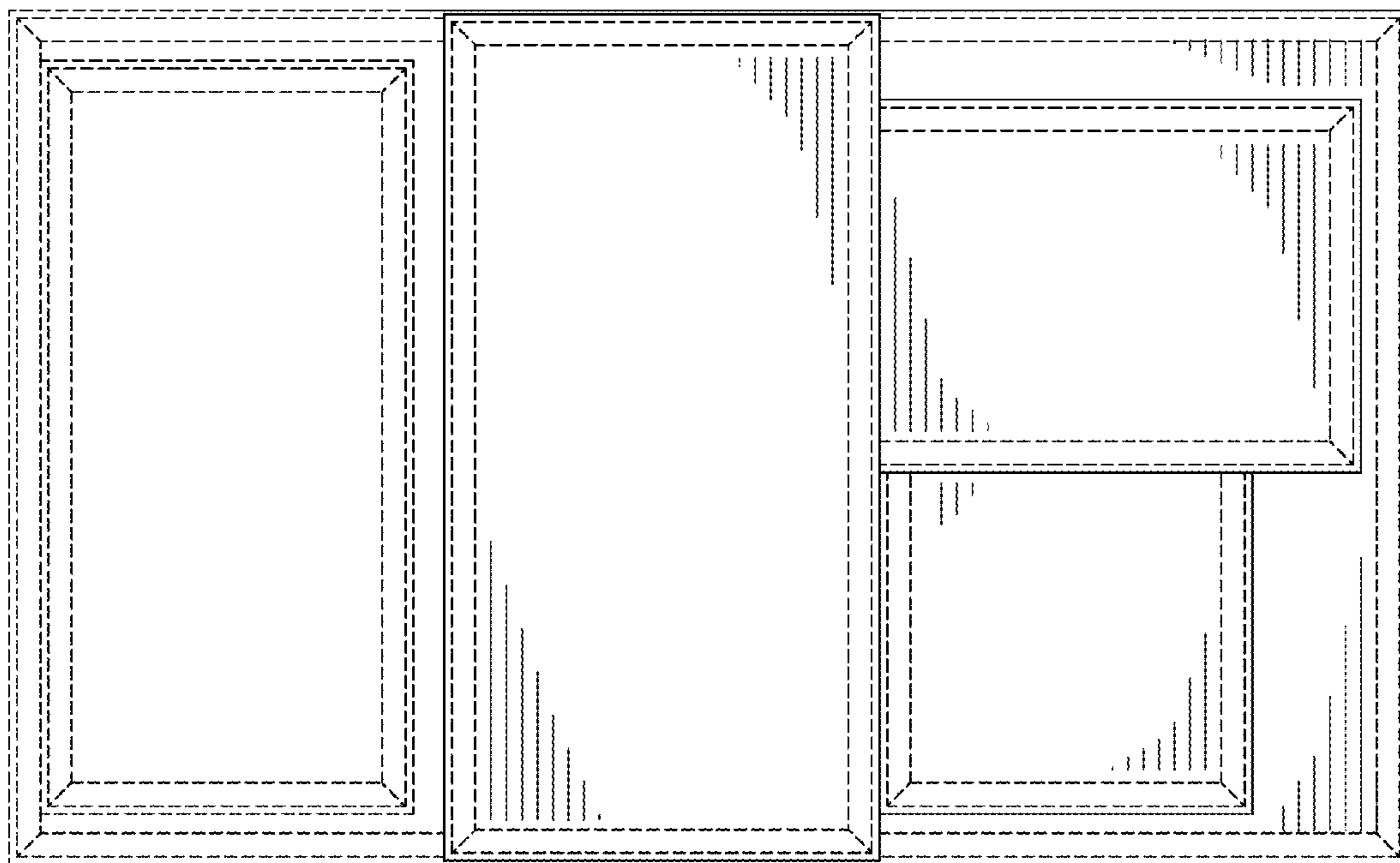


Fig. 12