



US00D766624S

(12) **United States Design Patent** (10) **Patent No.:** **US D766,624 S**
Lau (45) **Date of Patent:** **** *Sep. 20, 2016**

(54) **CASE** D543,067 S * 5/2007 Ng D6/634
 D543,068 S 5/2007 Ng
 D552,373 S 10/2007 Kim
 D572,962 S 7/2008 Freitag et al.
 D572,964 S 7/2008 Gelardi et al.
 D573,831 S 7/2008 Gelardi et al.
 7,428,968 B2 * 9/2008 Osborn G11B 33/0427
 206/232

(71) Applicant: **Finest Products Limited**, Hong Kong (CN) D587,922 S 3/2009 Kwan
 D614,903 S * 5/2010 Lau D6/634
 D615,796 S * 5/2010 Lau D6/632
 D619,845 S * 7/2010 Gelardi D6/634
 7,942,261 B2 * 5/2011 Heuser G11B 33/0427
 206/308.1

(72) Inventor: **Kwok Din Lau**, Hong Kong (CN) D641,580 S * 7/2011 Lau D6/634
 D642,004 S * 7/2011 Lau D6/634
 7,975,844 B2 * 7/2011 Choi G11B 33/0427
 206/308.1

(73) Assignee: **Finest Products Limited**, Hong Kong (HK) D647,323 S * 10/2011 Fitzpatrick D6/407
 D661,938 S * 6/2012 Grace D6/632
 2006/0201831 A1 9/2006 Hu

(*) Notice: This patent is subject to a terminal disclaimer.

(**) Term: **14 Years**

(21) Appl. No.: **29/484,864**

(22) Filed: **Mar. 13, 2014**

(51) **LOC (10) Cl.** **06-04**

(52) **U.S. Cl.**
 USPC **D6/632**

(58) **Field of Classification Search**
 USPC D6/407, 510, 626-635; D9/414-415,
 D9/418, 420, 422-426, 428, 432-433;
 D19/26-27; D3/218, 270, 273, 294,
 D3/295, 299-301, 303-304; D14/478-479
 CPC B65D 27/06; G11B 2220/17; G11B
 2220/211
 See application file for complete search history.

(56) **References Cited**
 U.S. PATENT DOCUMENTS

D437,171 S 2/2001 Cuadrado-Serena
 6,227,362 B1 5/2001 Cheung
 D450,973 S 11/2001 Bieda
 D452,105 S 12/2001 Chan
 D465,960 S 11/2002 Yau
 D477,143 S 7/2003 Nagata et al.
 6,729,469 B1 5/2004 Yau et al.
 6,766,904 B2 7/2004 Hu
 D493,661 S 8/2004 Yau
 D495,913 S * 9/2004 Hsiao D6/407

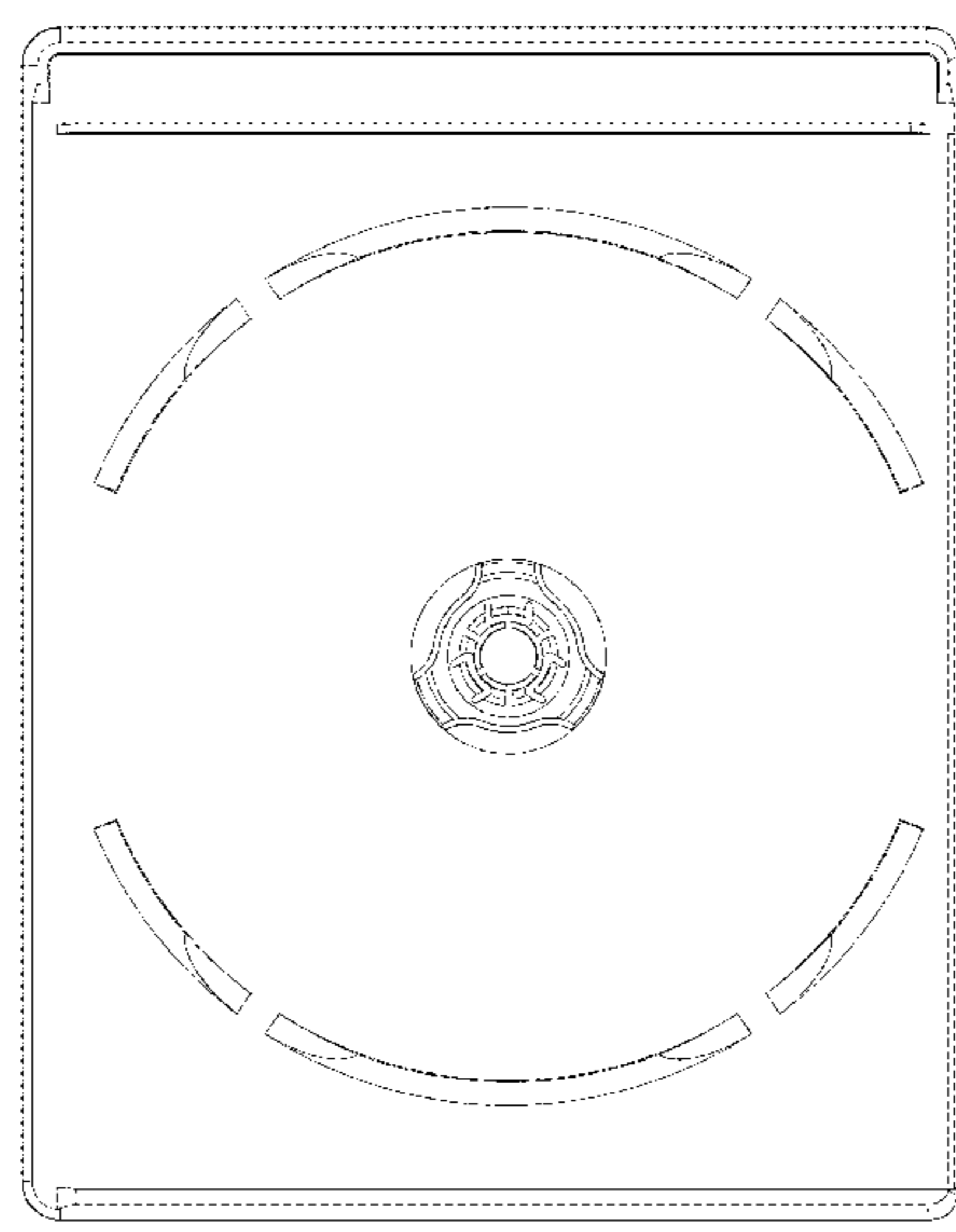
(Continued)
 Primary Examiner — Kelley Donnelly
 (74) Attorney, Agent, or Firm — Seed Intellectual Property Law Group PLLC

(57) **CLAIM**
 The ornamental design for a case, as shown and described.

DESCRIPTION

FIG. 1 is a front view of a case showing my new design.
 FIG. 2 is a rear view thereof.
 FIG. 3 is a left view thereof.
 FIG. 4 is a right view thereof.
 FIG. 5 is a top view thereof.
 FIG. 6 is a bottom view thereof.
 FIG. 7 is a first perspective view thereof.
 FIG. 8 is a second perspective view thereof.
 FIG. 9 is a first reference view of the case in an open state;
 and,
 FIG. 10 is a second reference view of the case in an open state.

1 Claim, 8 Drawing Sheets



(56)

References Cited

U.S. PATENT DOCUMENTS

2007/0102310 A1 5/2007 Osborn et al.

2007/0138039 A1 6/2007 Kirtz et al.
2007/0193898 A1 8/2007 Hu
2007/0215498 A1 9/2007 Barnette et al.

* cited by examiner

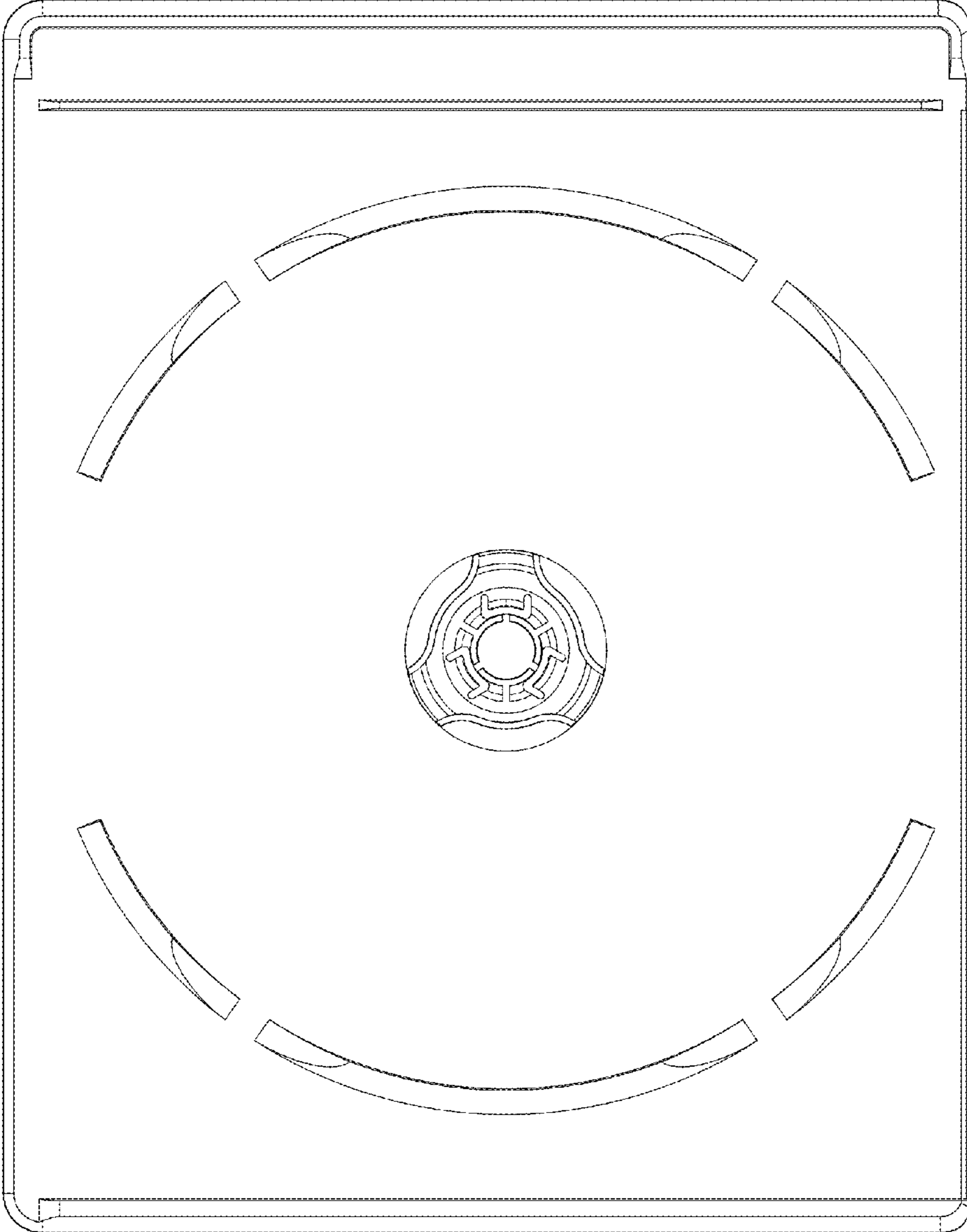


FIG.1

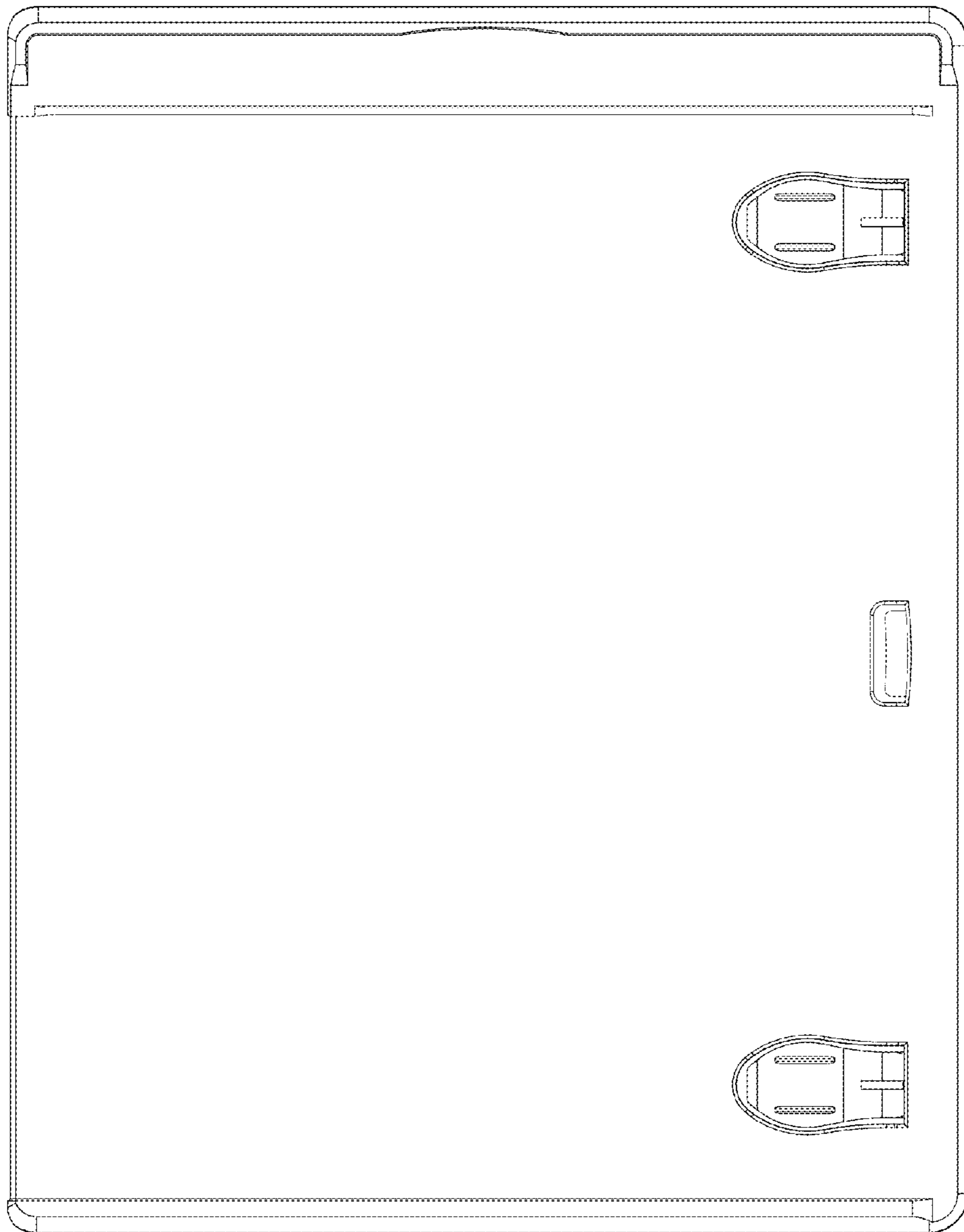


FIG. 2

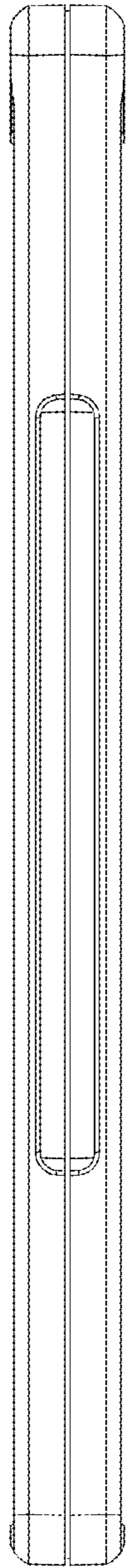


FIG. 3

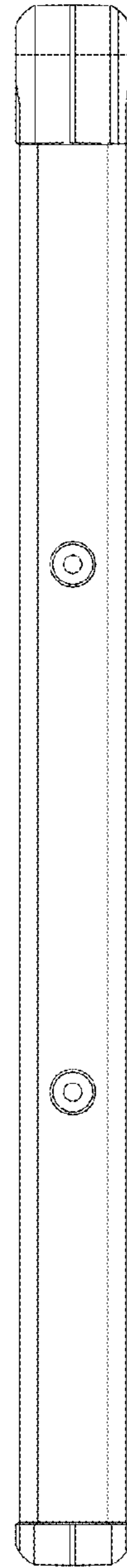


FIG. 4

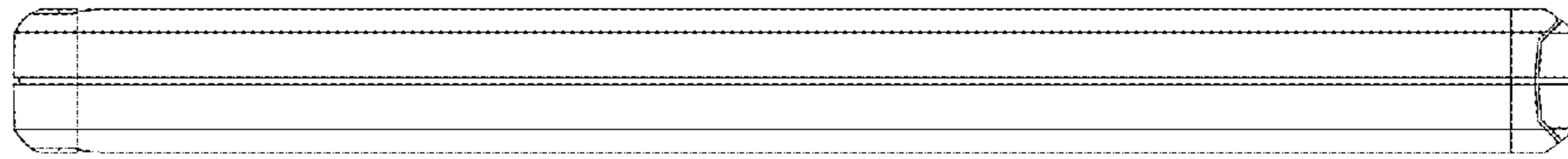


FIG. 5

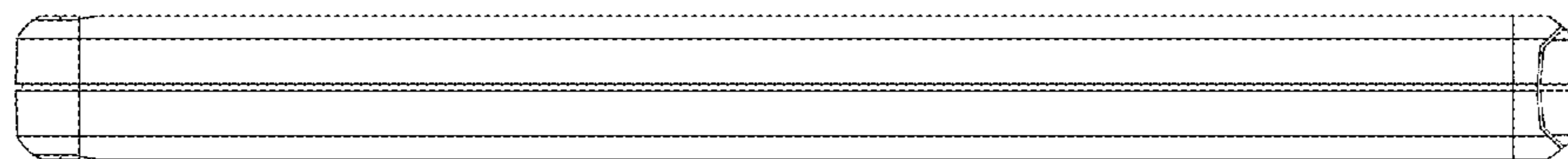


FIG. 6

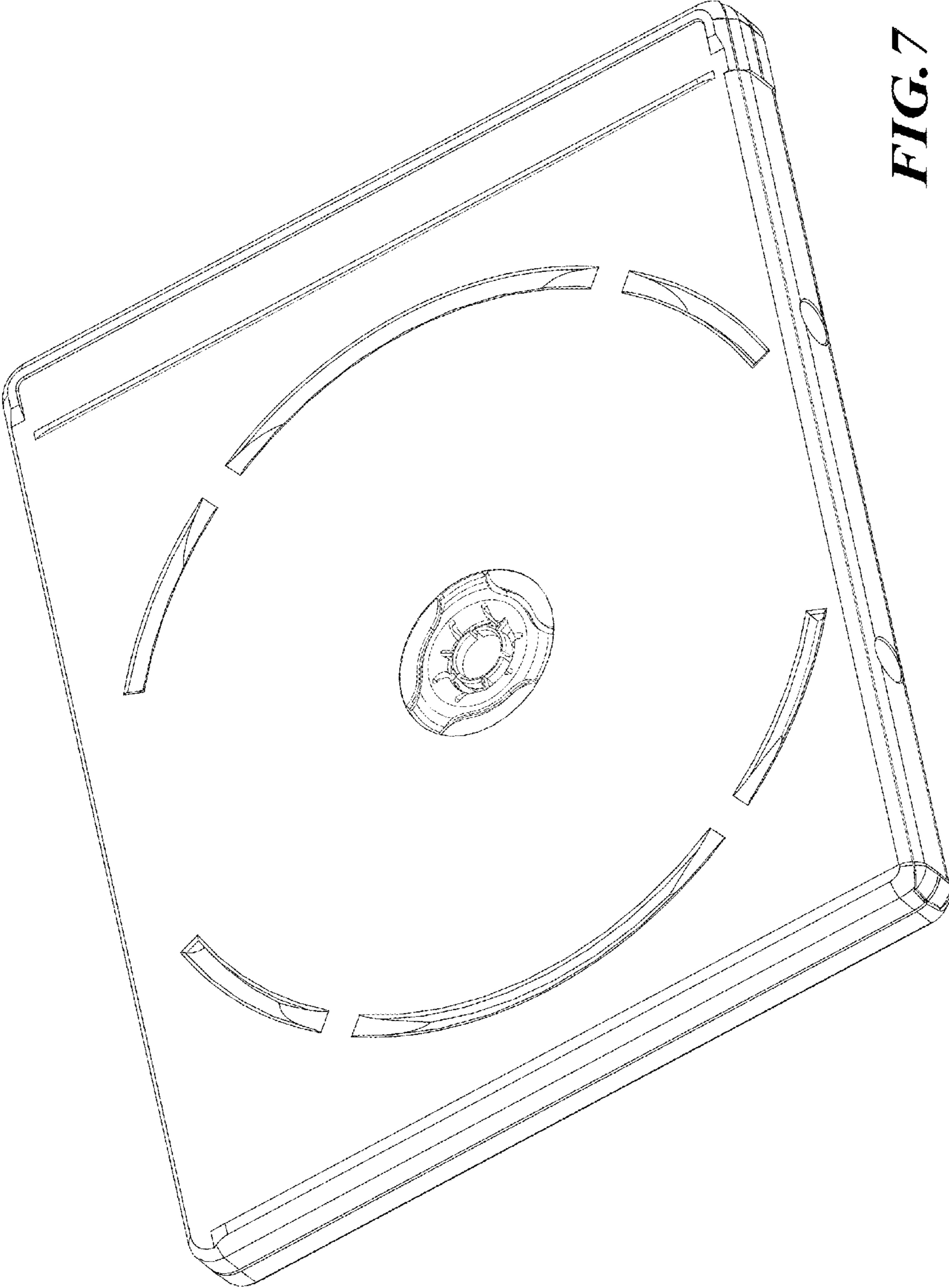


FIG. 7

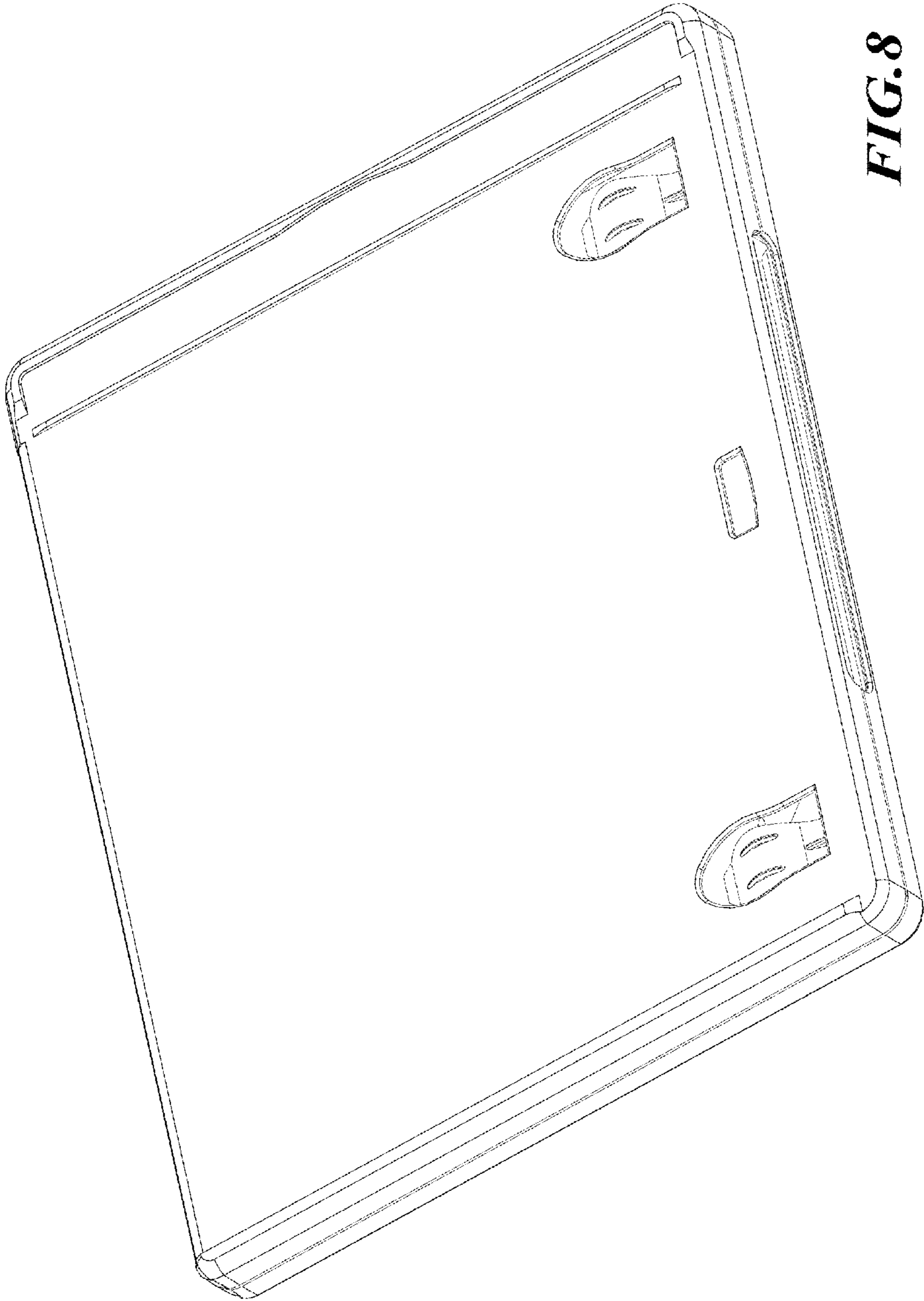


FIG. 8

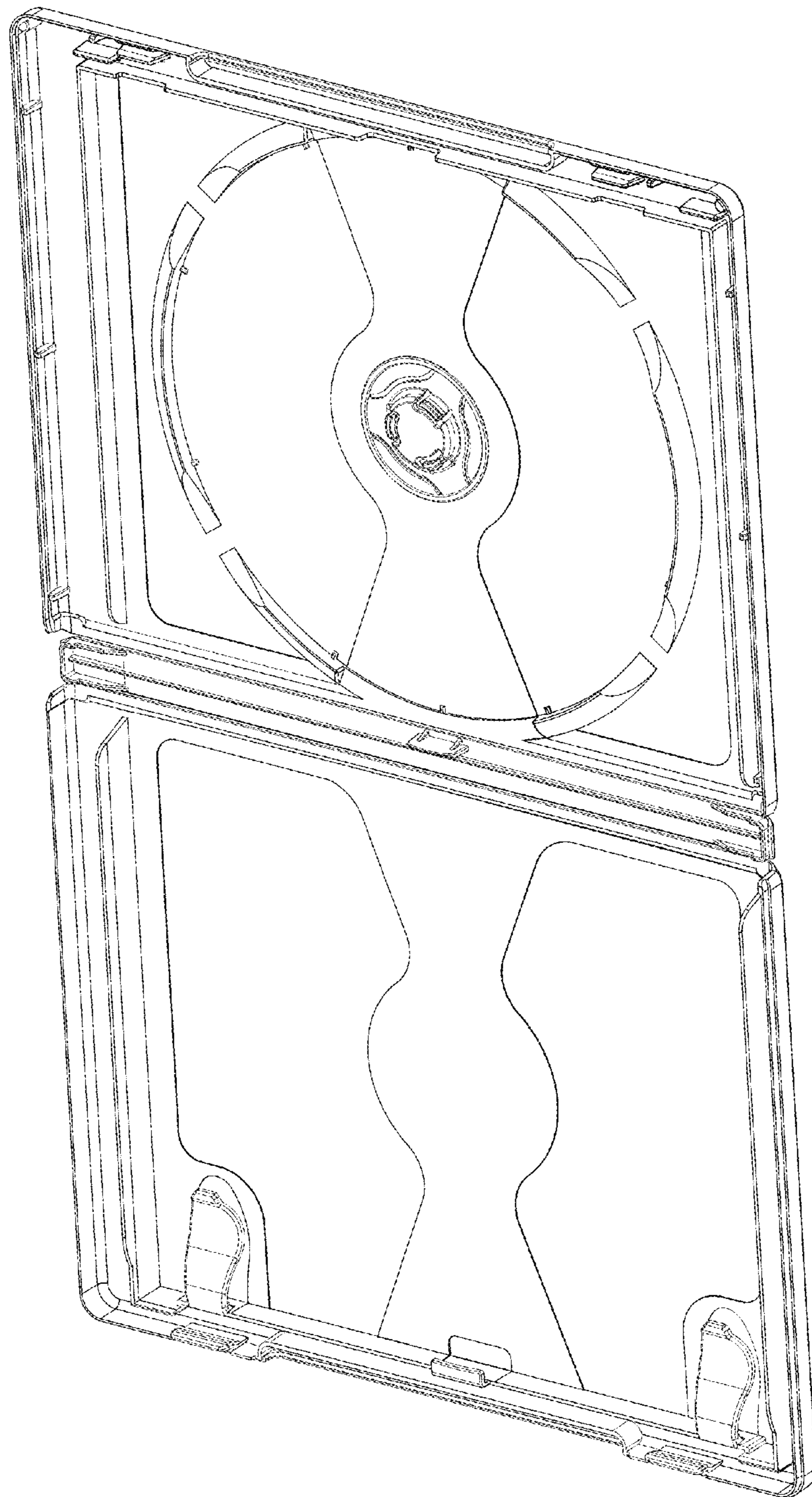


FIG. 9

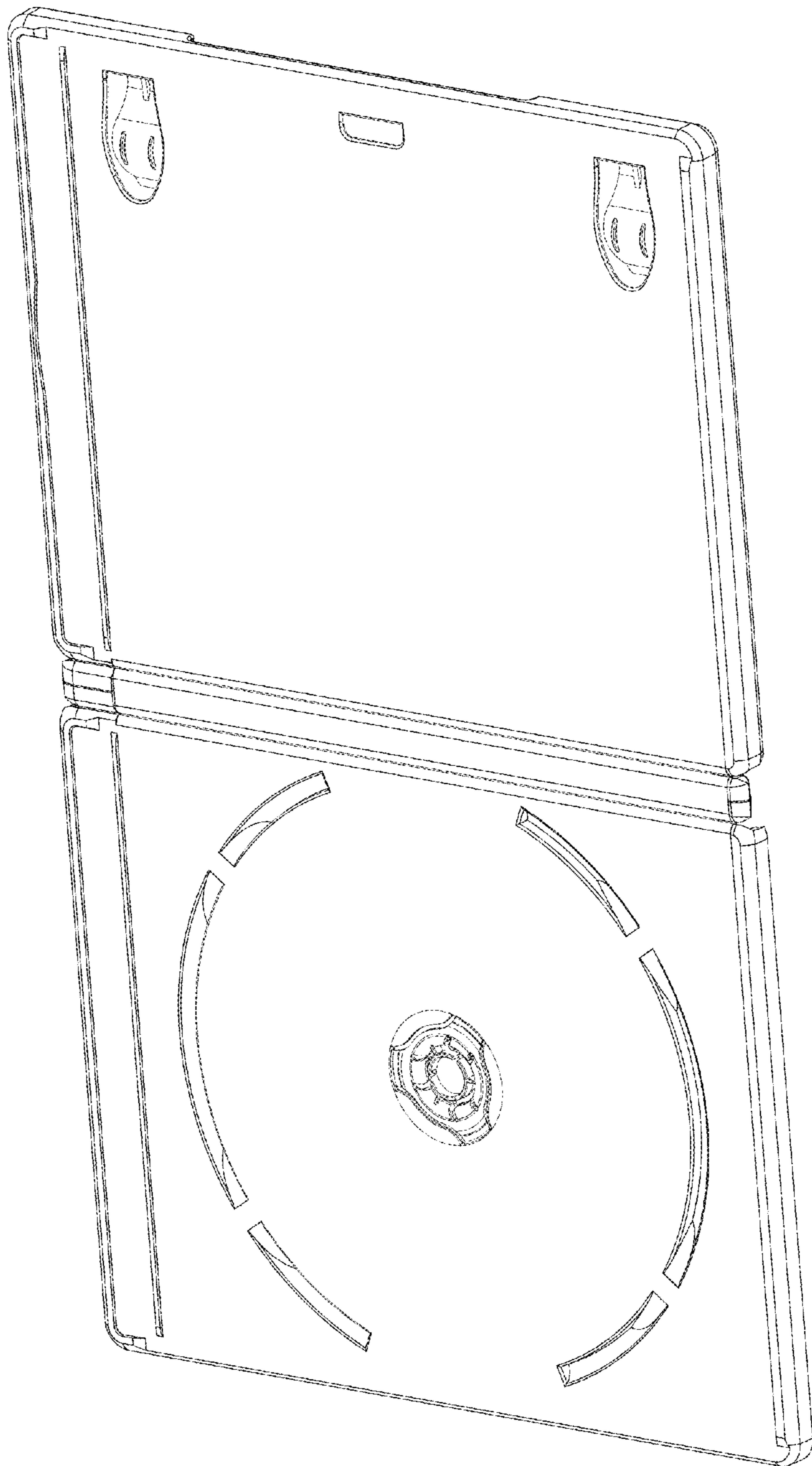


FIG. 10

UNITED STATES PATENT AND TRADEMARK OFFICE
CERTIFICATE OF CORRECTION

PATENT NO. : D766,624 S
APPLICATION NO. : 29/484864
DATED : September 20, 2016
INVENTOR(S) : Kwok Din Lau

Page 1 of 1

It is certified that error appears in the above-identified patent and that said Letters Patent is hereby corrected as shown below:

Item (30):

Please Insert:

--Jan. 13, 2014..... (CN)20143008995.7--.

Signed and Sealed this
Twenty-second Day of August, 2017



Joseph Matal
*Performing the Functions and Duties of the
Under Secretary of Commerce for Intellectual Property and
Director of the United States Patent and Trademark Office*