



US00D766623S

(12) **United States Design Patent** (10) **Patent No.:** **US D766,623 S**
Thorn (45) **Date of Patent:** **** Sep. 20, 2016**

(54) **INFLATABLE PILLOW**
(71) Applicants: **OAKTHRIFT CORPORATION LTD,**
Hertfordshire (GB); **James John**
Thorn, East Sussex (GB)

(72) Inventor: **James John Thorn,** East Sussex (GB)

(73) Assignee: **OAKTHRIFT CORPORATION,**
LTD., Hertfordshire (GB)

(**) Term: **15 Years**

(21) Appl. No.: **29/535,830**

(22) Filed: **Aug. 11, 2015**

(30) **Foreign Application Priority Data**

Feb. 11, 2015 (EM) 002631739-0001

(51) **LOC (10) Cl.** **06-09**

(52) **U.S. Cl.**
USPC **D6/604**

(58) **Field of Classification Search**
USPC D6/595-601, 604; D21/803-805;
D24/183, 191, 206
CPC A47C 7/383; A47C 20/00; A47C 20/25;
A47D 13/00; A47D 13/08; A47G 9/00;
A47G 9/10; A47G 9/1027; A47G 9/1036;
A47G 9/1081; A47G 2009/1018
See application file for complete search history.

(56) **References Cited**

U.S. PATENT DOCUMENTS

2,561,931 A * 7/1951 Kleiser A47G 9/10
135/90
D396,291 S * 7/1998 Bakes D24/190
6,487,736 B1 * 12/2002 Militzer A47C 20/026
128/858

8,239,987 B2 * 8/2012 Sharp A47C 7/383
5/636
D695,044 S * 12/2013 Gumbrecht D6/601
D727,069 S * 4/2015 Ahroon D3/295
2005/0179300 A1 * 8/2005 O'Connor A47C 7/383
297/391
2015/0274044 A1 * 10/2015 Kreppein A47G 9/1081
5/636

* cited by examiner

Primary Examiner — Mary Ann Calabrese

(74) *Attorney, Agent, or Firm* — Weiss & Moy, P.C.;
Veronica-Adele R. Cao

(57) **CLAIM**

The ornamental design for an inflatable pillow, as shown and described.

DESCRIPTION

This application is also related to U.S. application Ser. No. 29/502,008, filed on Sep. 10, 2014 by the same applicant herein.

FIG. 1 is a front view of an inflatable pillow of the present invention.

FIG. 2 is a reduced scale rear perspective view of the inflatable pillow of FIG. 1;

FIG. 3 is a reduced scale left side view of the inflatable pillow of FIG. 1;

FIG. 4 is a reduced scale right side view of the inflatable pillow of FIG. 1;

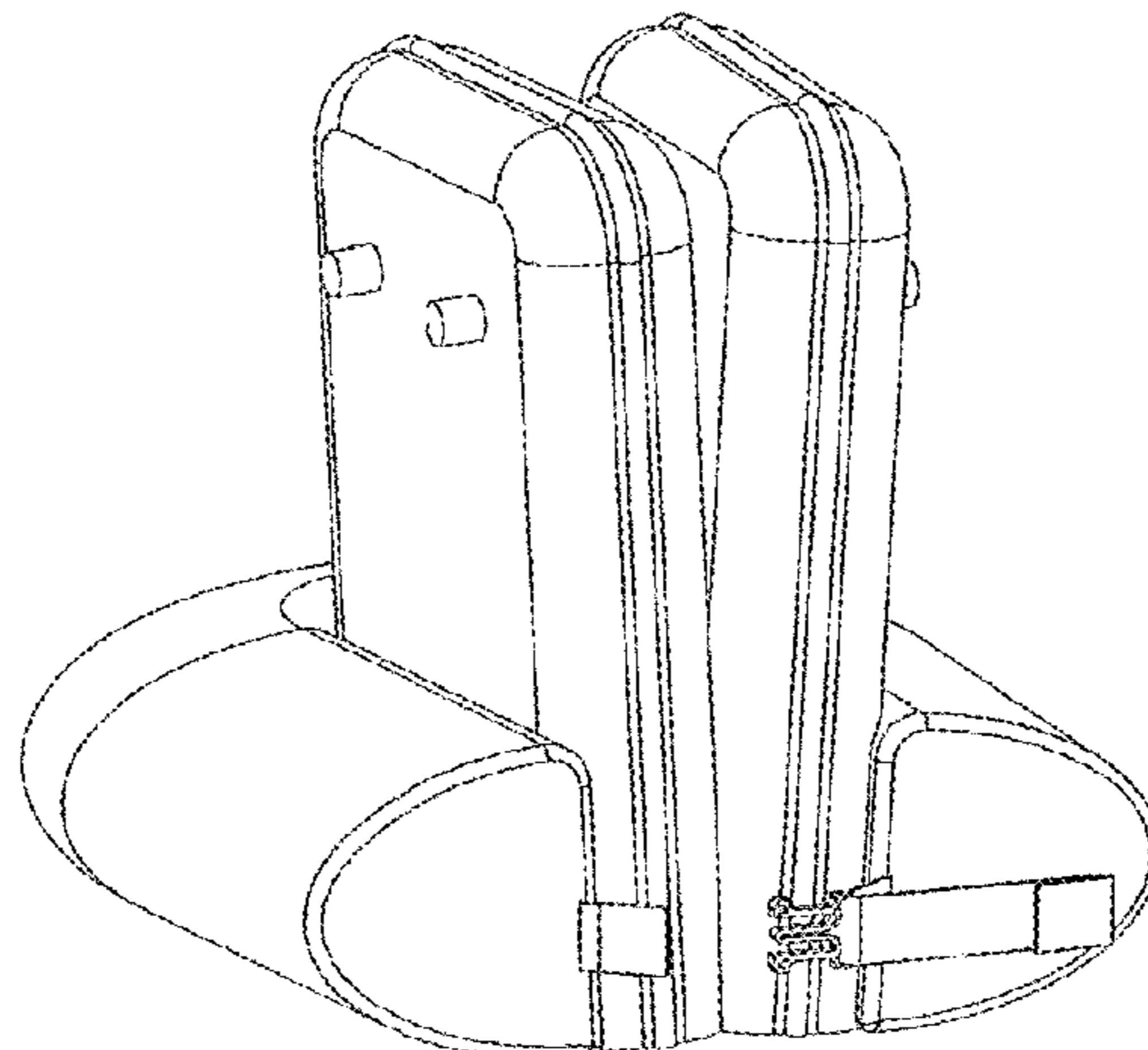
FIG. 5 is a reduced scale top view of the inflatable pillow of FIG. 1;

FIG. 6 is a reduced scale bottom view of the inflatable pillow of FIG. 1;

FIG. 7 is a reduced scale perspective view of the inflatable pillow of FIG. 1; and,

FIG. 8 is a reduced scale rear view of the inflatable pillow of FIG. 1.

1 Claim, 4 Drawing Sheets



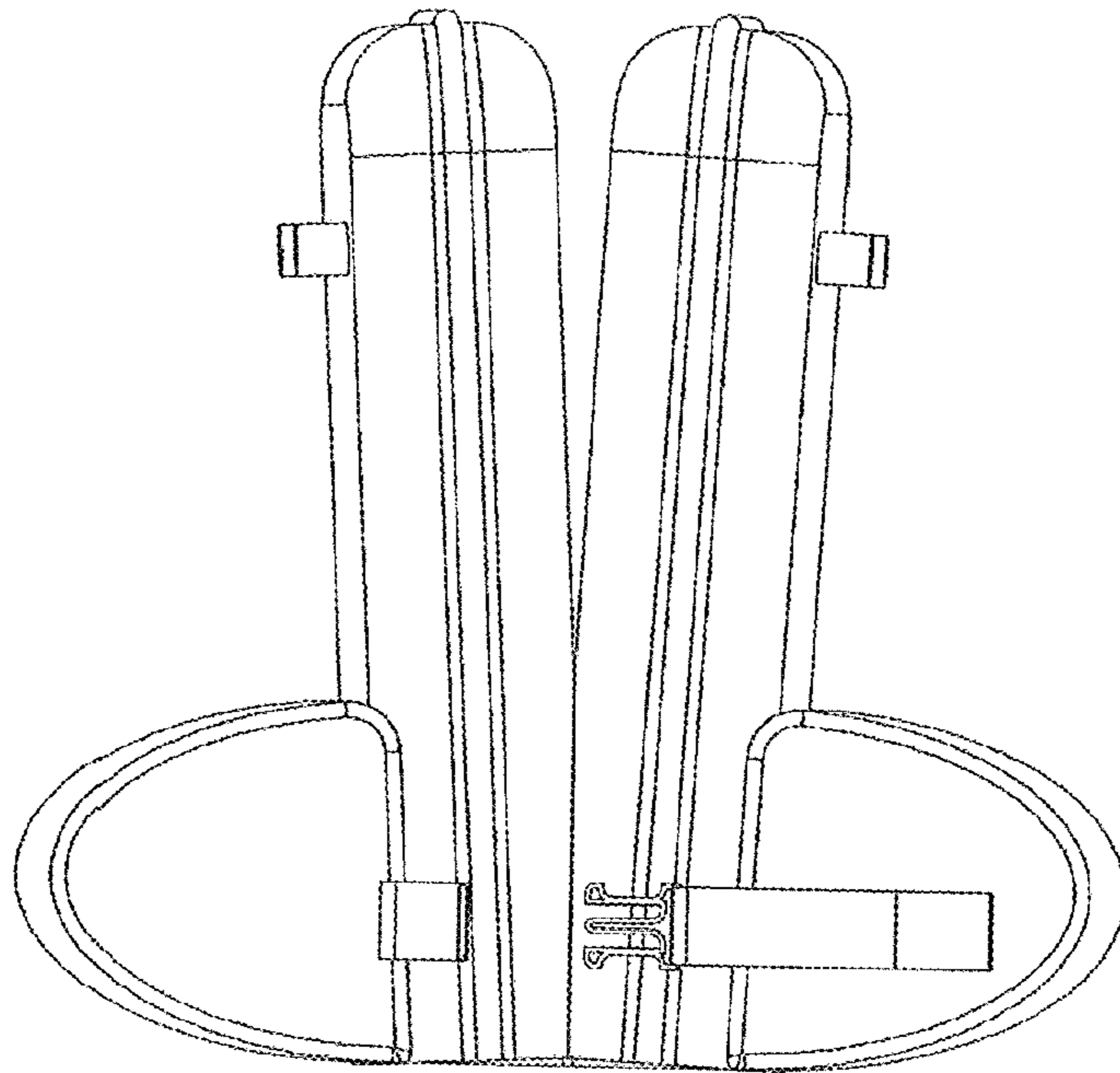


FIGURE 1

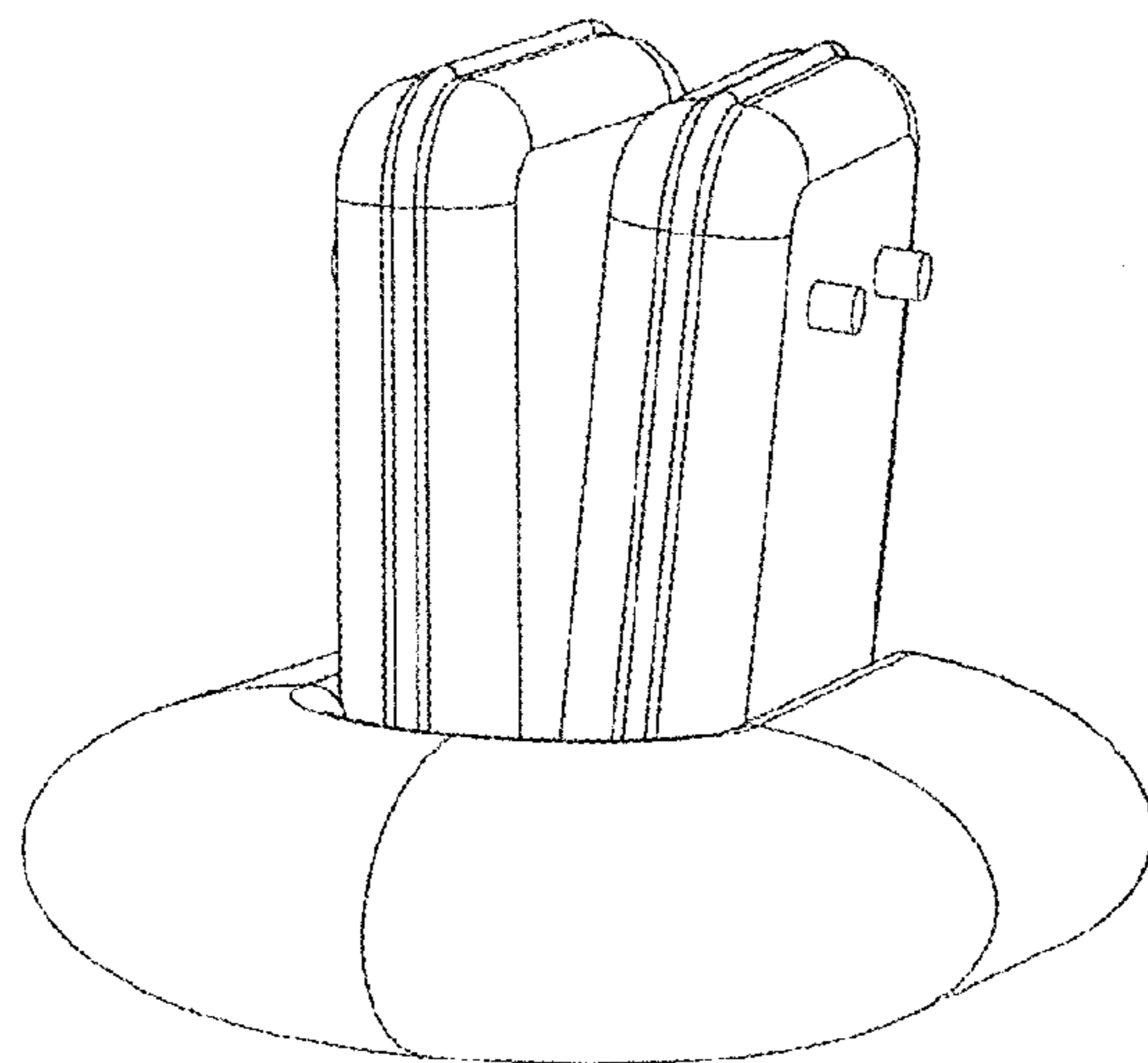


FIGURE 2

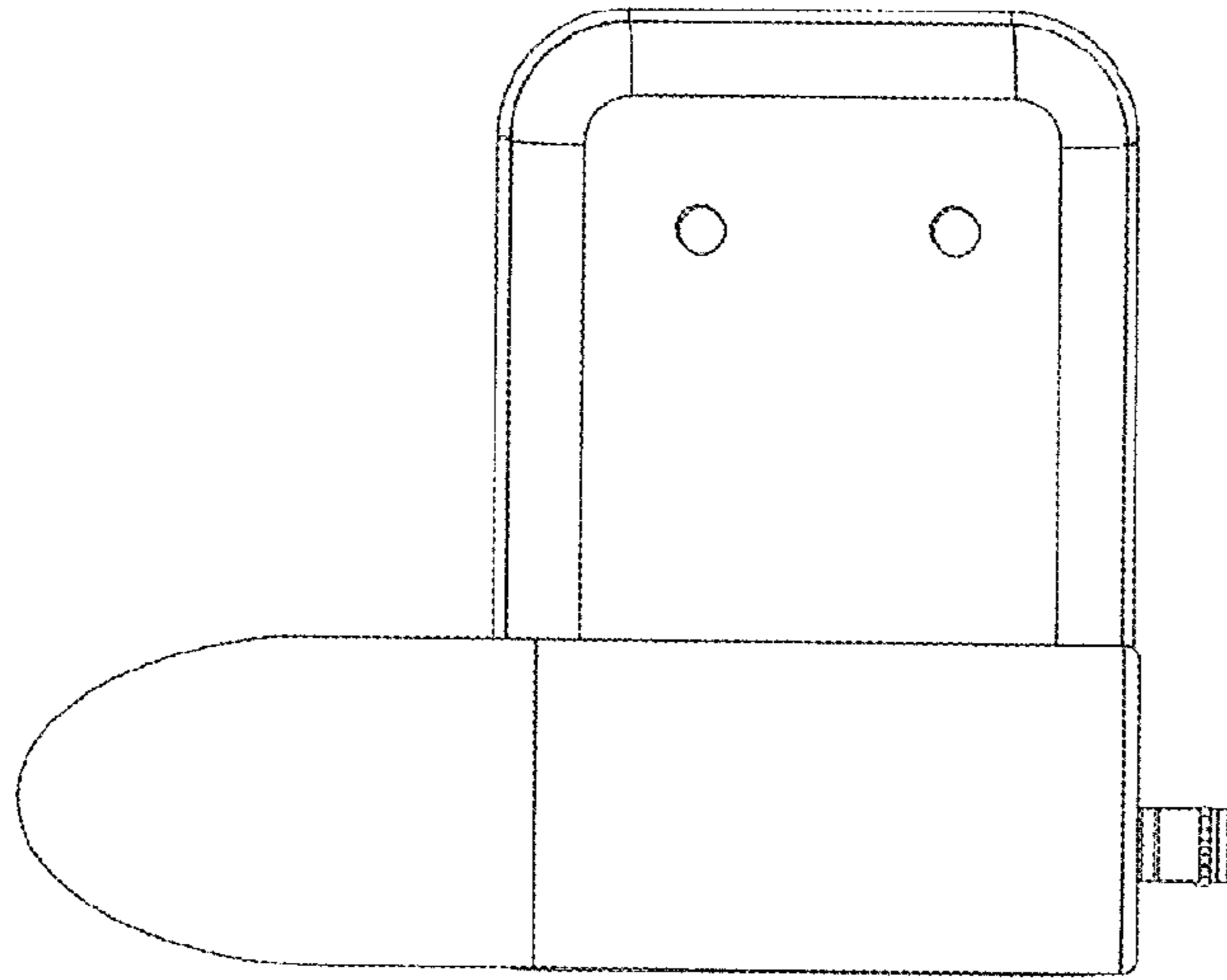


FIGURE 3

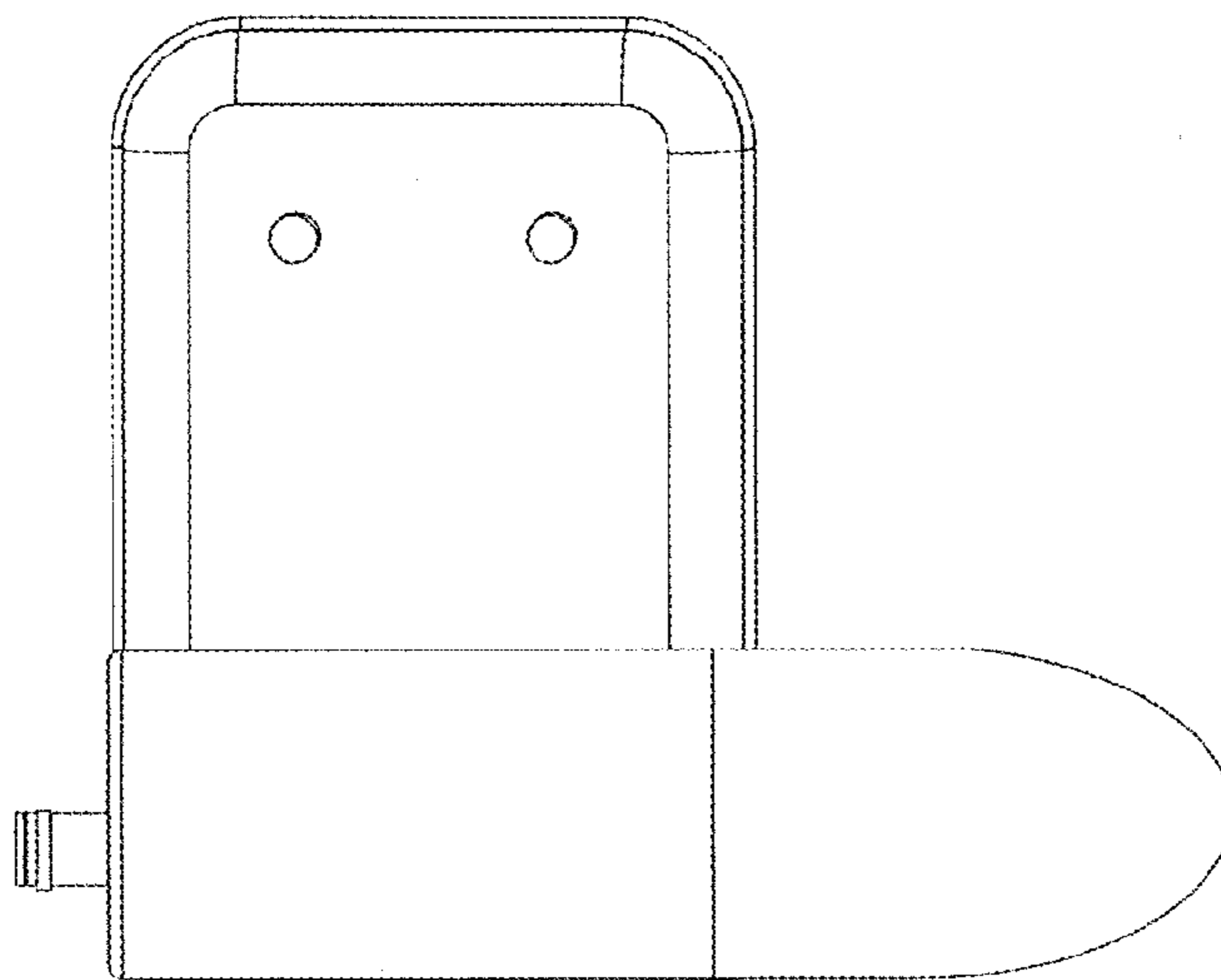


FIGURE 4

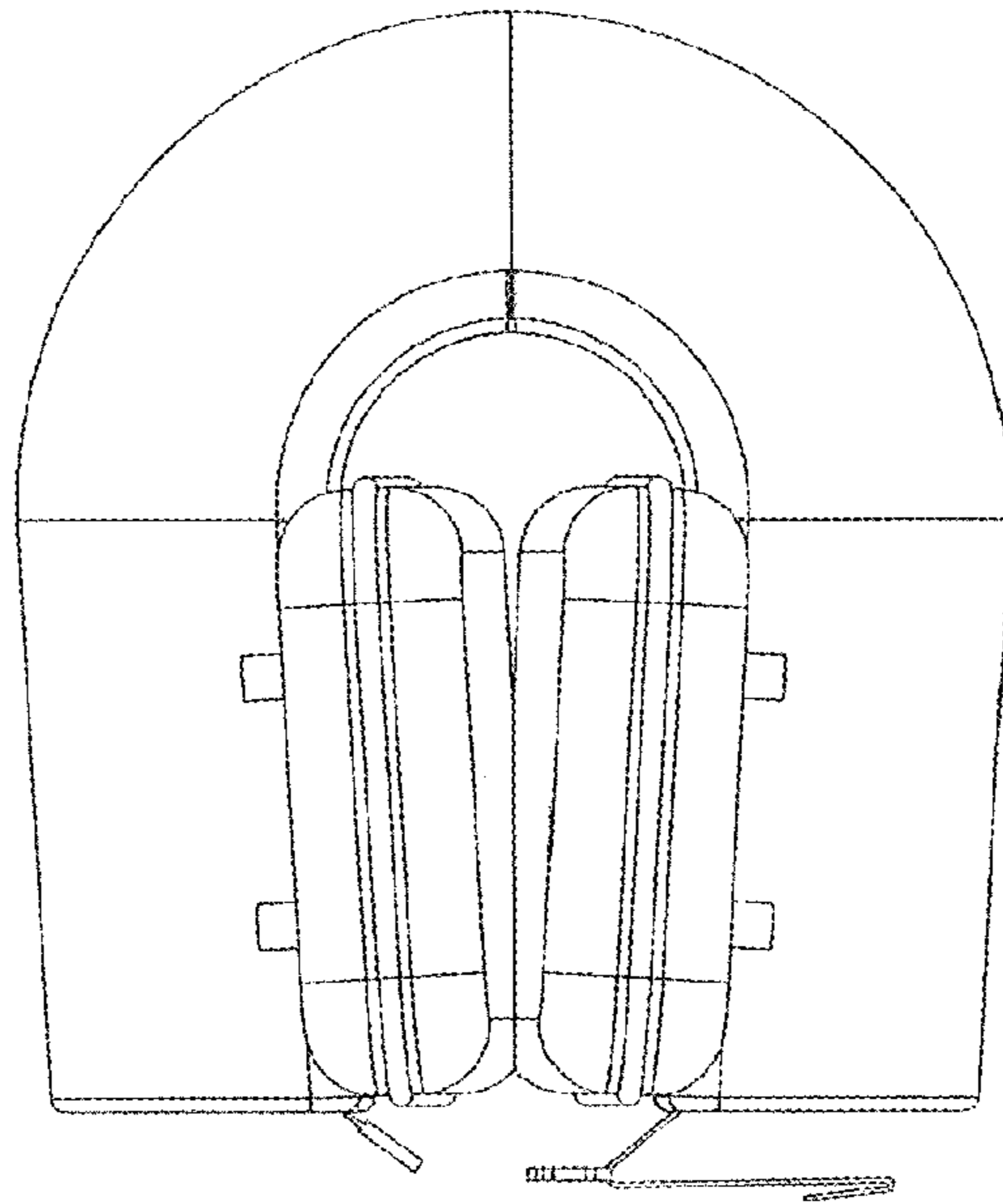


FIGURE 5

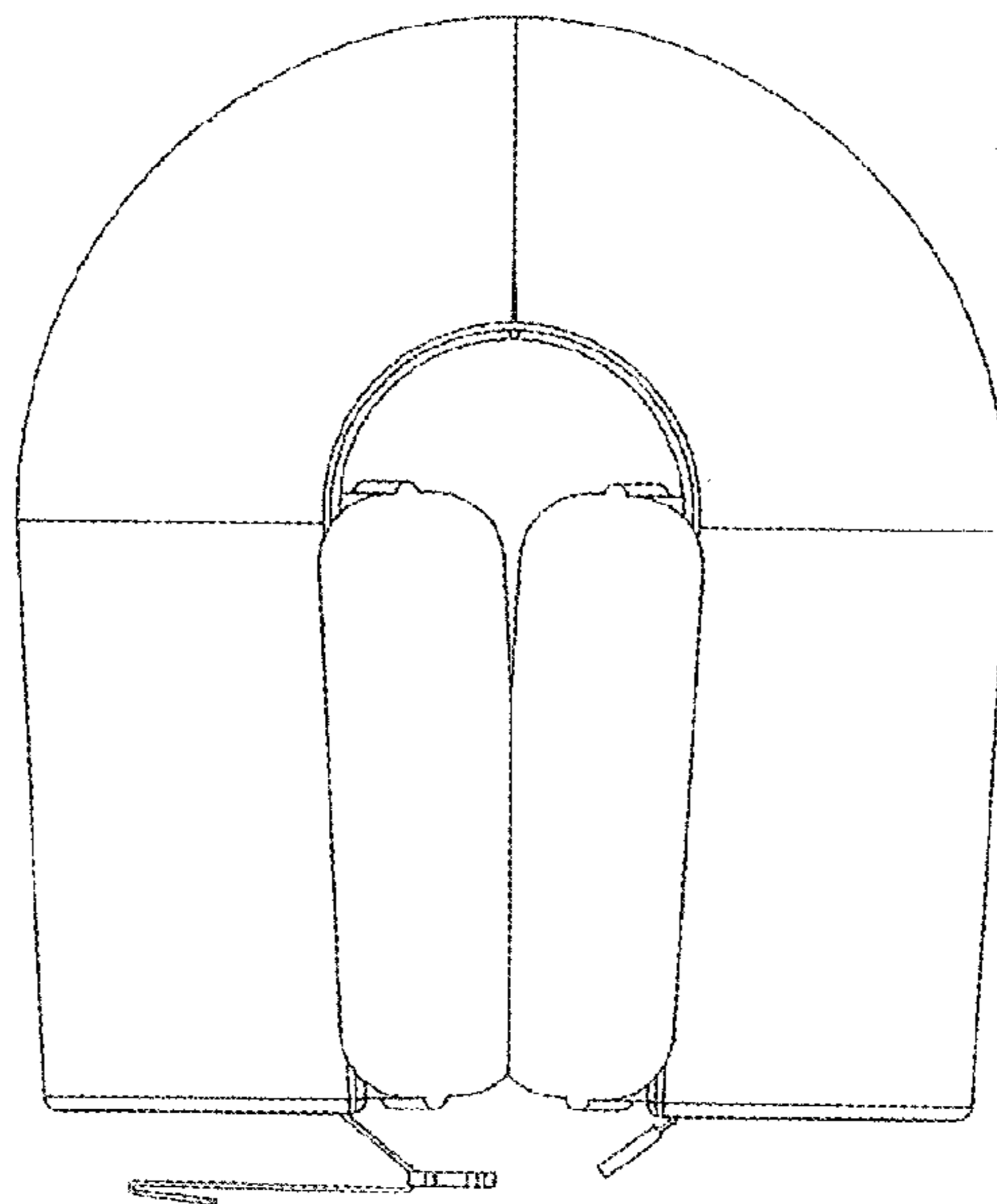


FIGURE 6

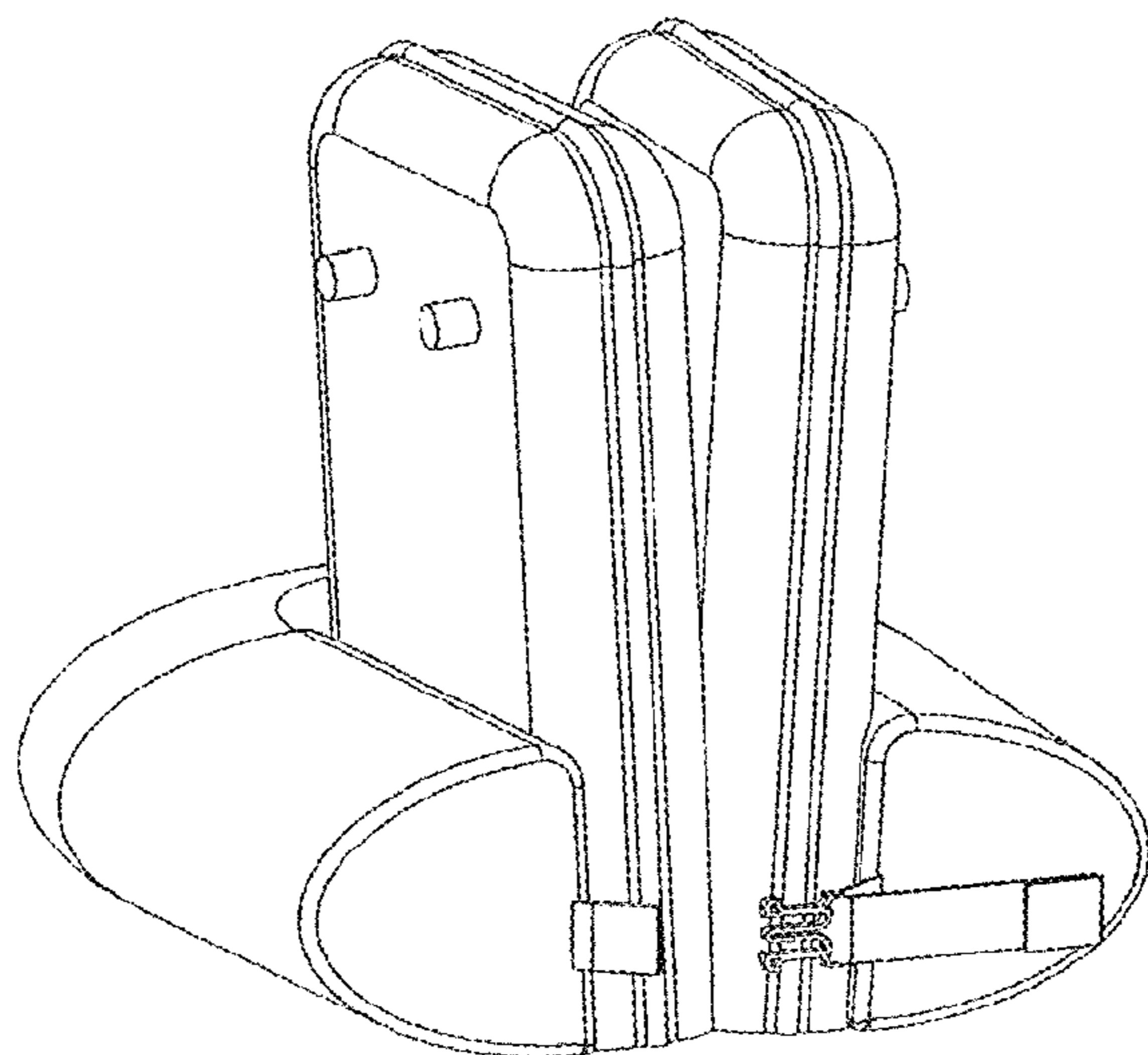


FIGURE 7

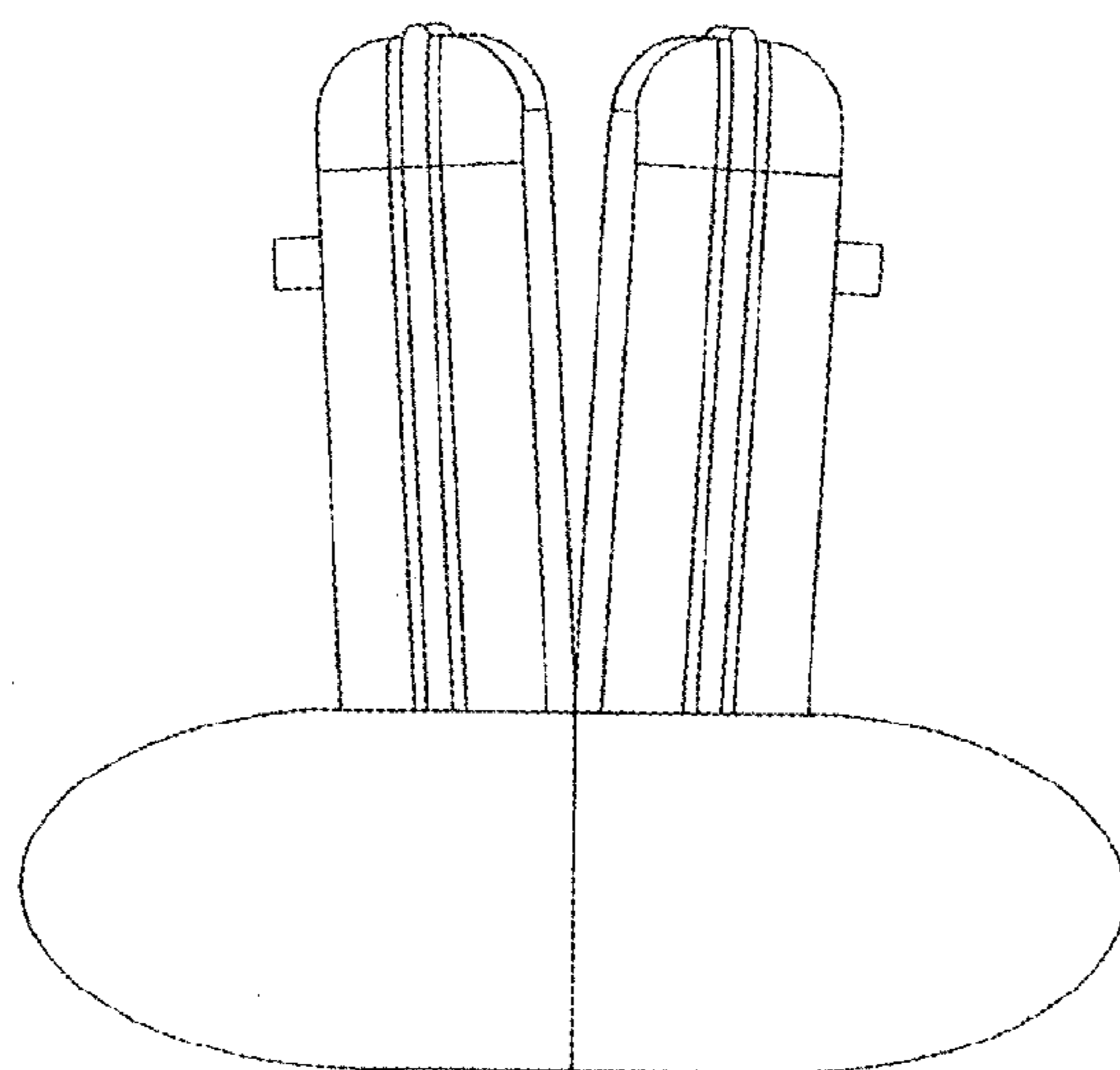


FIGURE 8