

US00D766616S

(12) **United States Design Patent** (10) **Patent No.:** **US D766,616 S**
Citterio (45) **Date of Patent:** **** Sep. 20, 2016**

(54) **TOWEL HOLDER**
(71) Applicant: **HANSGROHE SE**, Schiltach (DE)
(72) Inventor: **Antonio Citterio**, Milan (IT)
(73) Assignee: **Hansgrohe SE**, Schiltach (DE)
(**) Term: **14 Years**

6,076,777 A * 6/2000 Farm A61K 8/418
248/205.1
D450,510 S * 11/2001 Gottwald D6/548
D571,592 S * 6/2008 Bickler D6/548
7,490,809 B2 * 2/2009 Liang F16M 11/00
248/146
D590,645 S * 4/2009 Weststrate D6/548
D698,629 S * 2/2014 Hansen D8/370

(21) Appl. No.: **29/492,166**
(22) Filed: **May 29, 2014**

FOREIGN PATENT DOCUMENTS

CN 302280791 1/2013
CN 302579720 9/2013
CN 302579722 9/2013
EM 002051797-0003 6/2012
EM 002307595-0003 9/2013

(30) **Foreign Application Priority Data**

Dec. 3, 2013 (EM) 001391742-0003

(51) **LOC (10) Cl.** **06-04**

(52) **U.S. Cl.**
USPC **D6/549**

(58) **Field of Classification Search**
USPC D6/546-550, 512-525; D8/300,
D8/315-321, 354, 363, 373, 380;
108/28-29; 211/13.1, 16, 85.5, 86.01,
211/87.01, 88.04, 100, 105.1, 105.2, 106,
211/113, 123, 181.1, 182-183; 248/49,
248/175, 176.1, 200, 201, 205.1, 251, 302,
248/309.1, 315; 242/570, 590, 595-598;
D25/45
CPC A47K 10/3836; A47K 10/38
See application file for complete search history.

OTHER PUBLICATIONS

Hansgrohe USA website, Axor Universal Dual Towel Bar, Jun. 3, 2016, http://www.hansgrohe-usa.com/articledetail-axor-universal-accessories-axor-universal-dual-towel-bar-42821000.html?fsid=&pageid=&q=towel%20bar.*

* cited by examiner

Primary Examiner — David Muller
Assistant Examiner — Nathan Johnston
(74) *Attorney, Agent, or Firm* — Lora J. Graentzdoerffer

(57) **CLAIM**
The ornamental design for a towel holder, as shown and described.

DESCRIPTION

FIG. 1 is a perspective view of a towel holder showing my new design;
FIG. 2 is a front elevation view;
FIG. 3 is a rear elevation view;
FIG. 4 is a left side elevation view;
FIG. 5 is a right side elevation view;
FIG. 6 is a top plan view; and,
FIG. 7 is a bottom plan view.
The broken lines in the drawings represent unclaimed portions of the design and form no part of the claimed design.

(56) **References Cited**

U.S. PATENT DOCUMENTS

D264,407 S * 5/1982 Thompson D6/548
D274,026 S * 5/1984 Boroch D6/548
5,125,586 A * 6/1992 Whitethorn A47K 10/3836
242/573.9
D338,125 S * 8/1993 Sample D6/548
5,373,950 A * 12/1994 Marc D06F 57/12
211/105.1
D410,580 S * 6/1999 Kaffenberger, Sr. D34/38
D422,171 S * 4/2000 Mahlmann D6/548

1 Claim, 7 Drawing Sheets

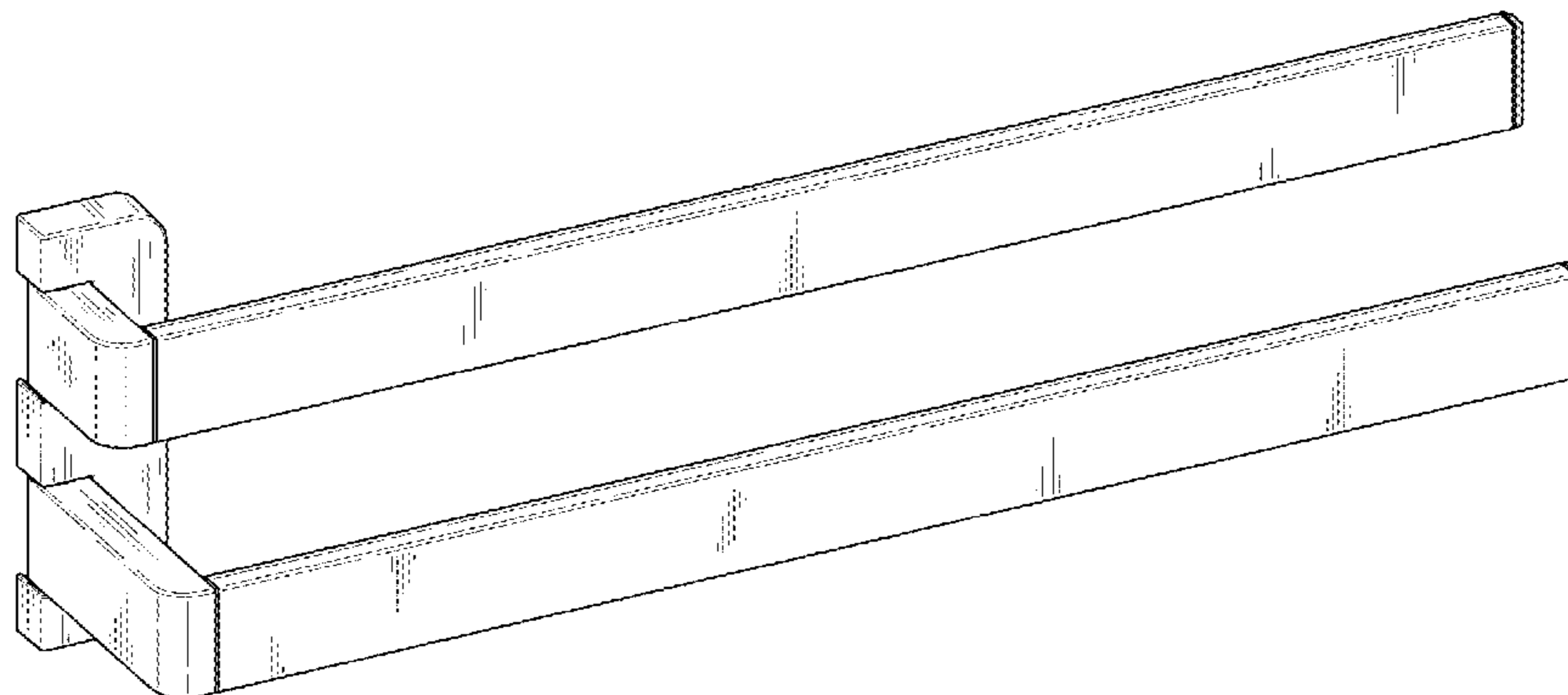


FIG. 1

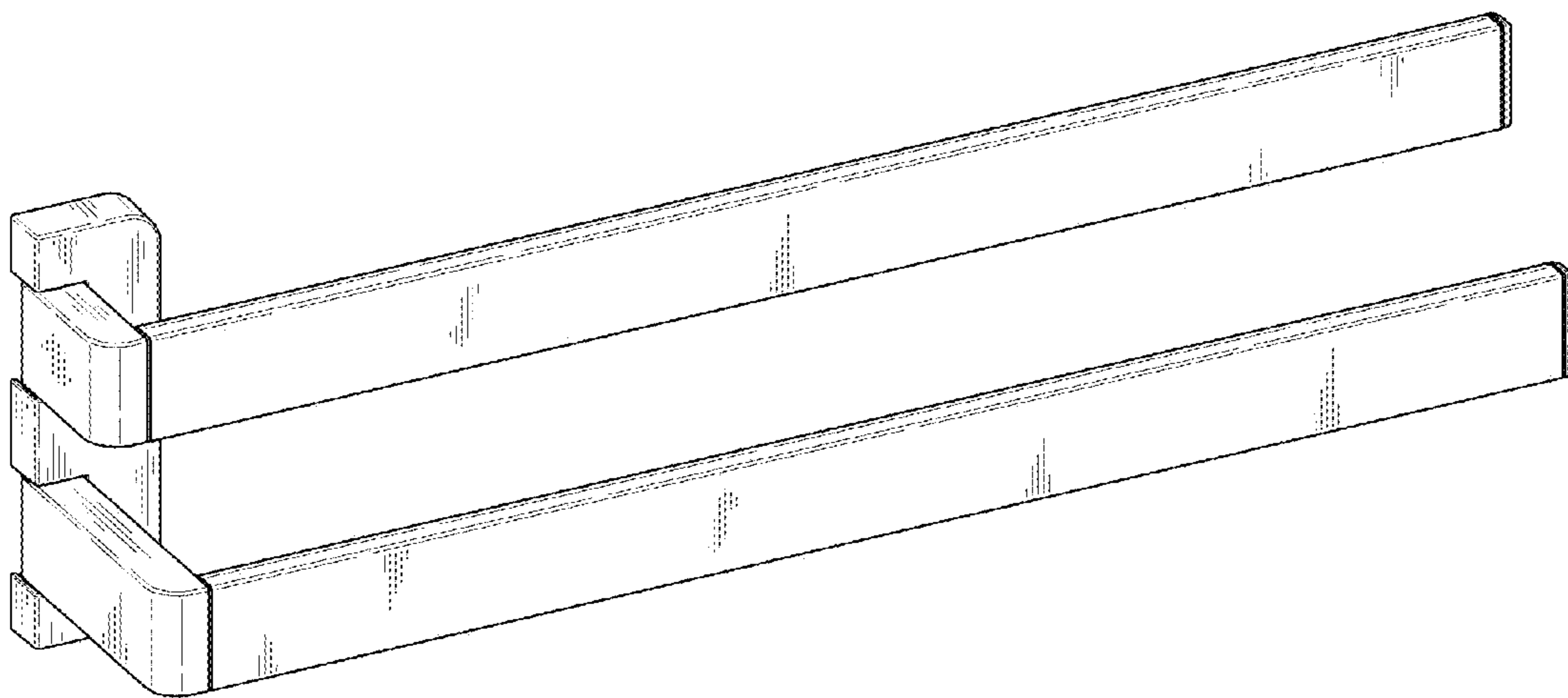


FIG. 2

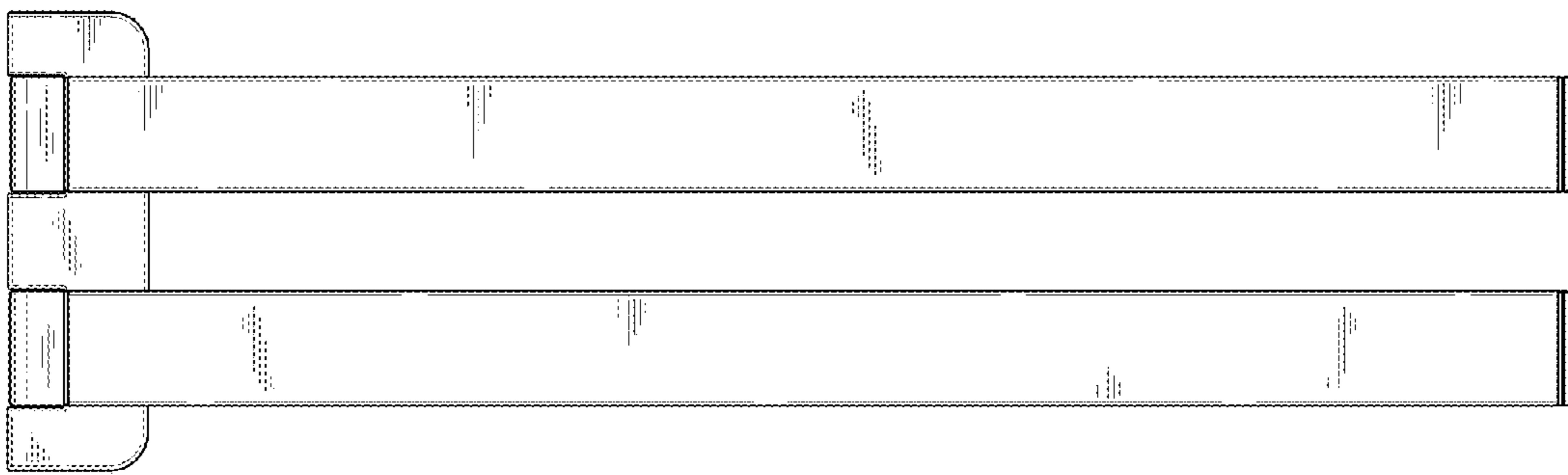


FIG. 3

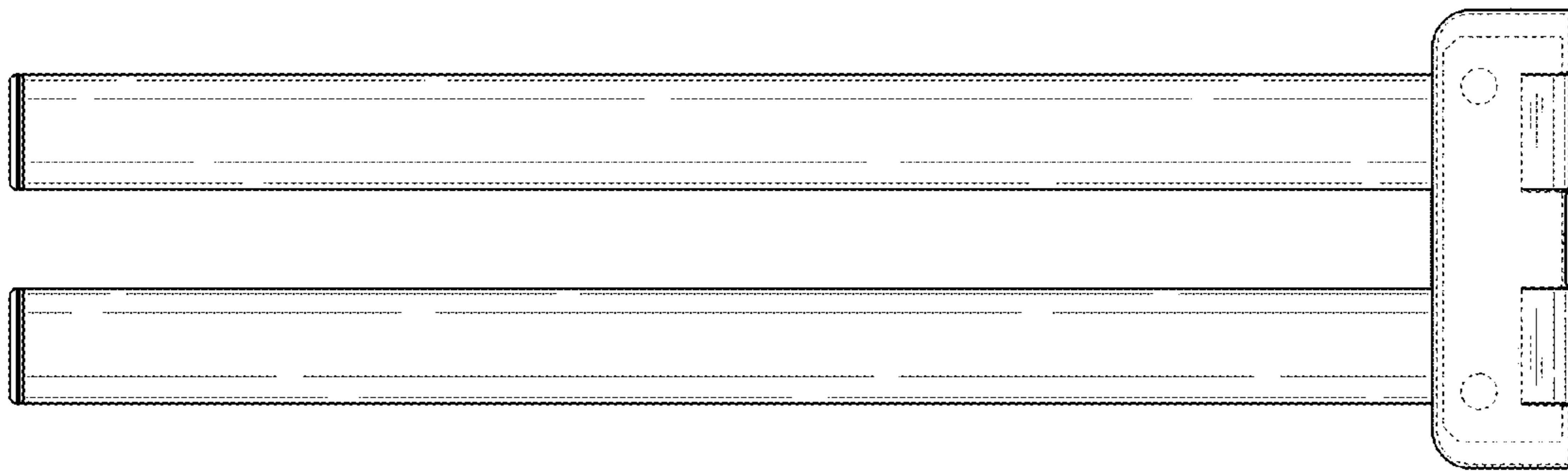


FIG. 4

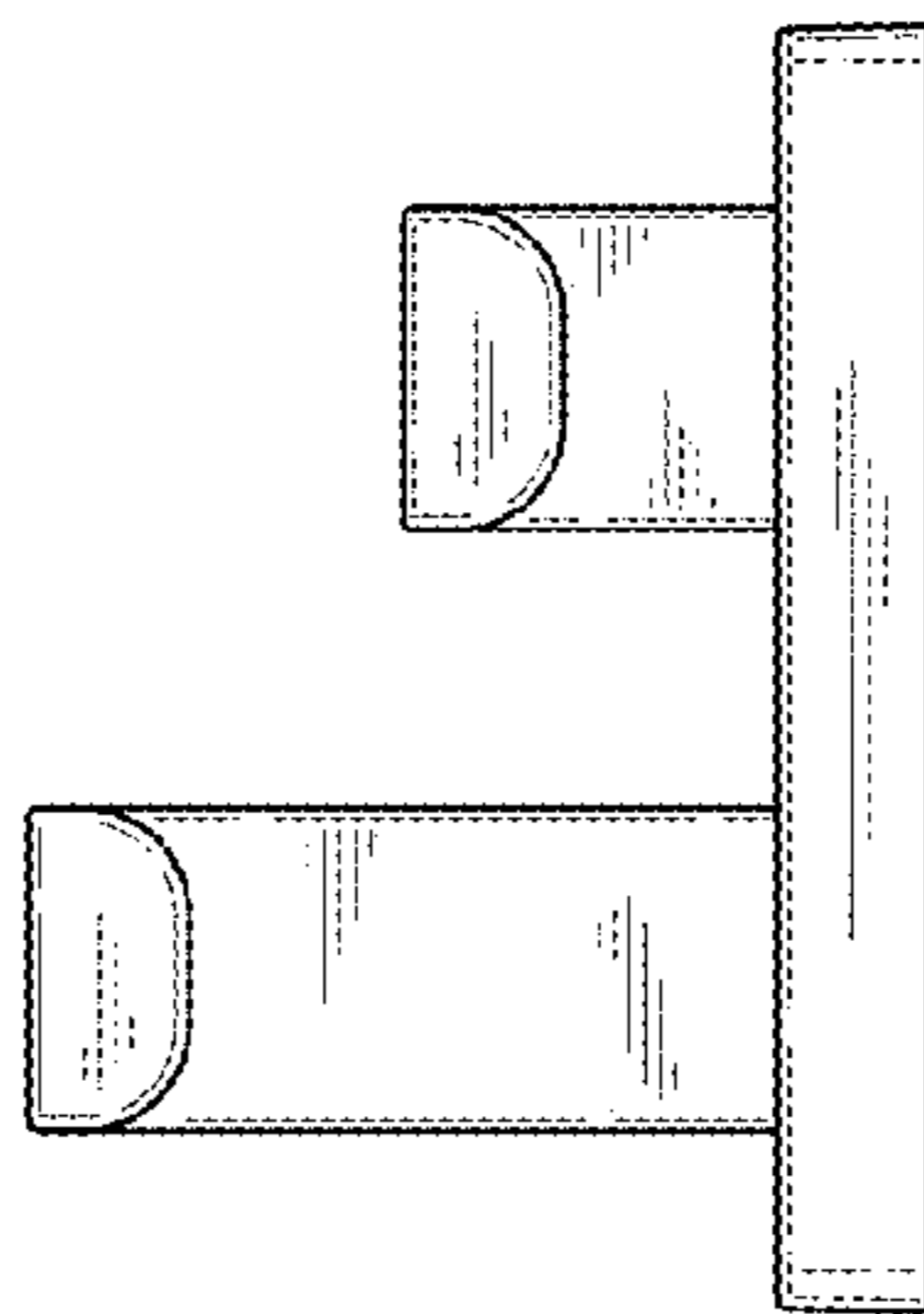


FIG. 5

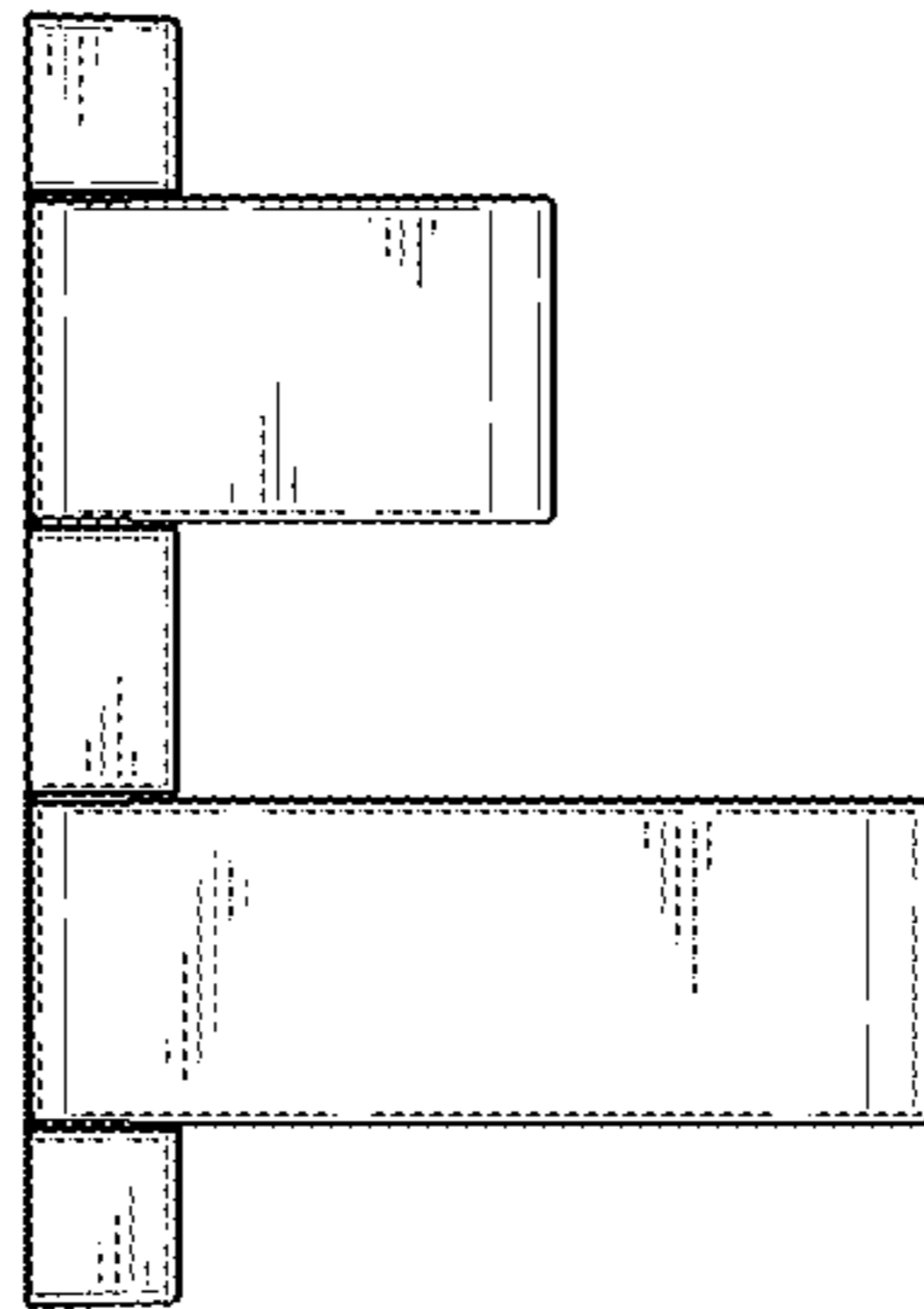


FIG. 6

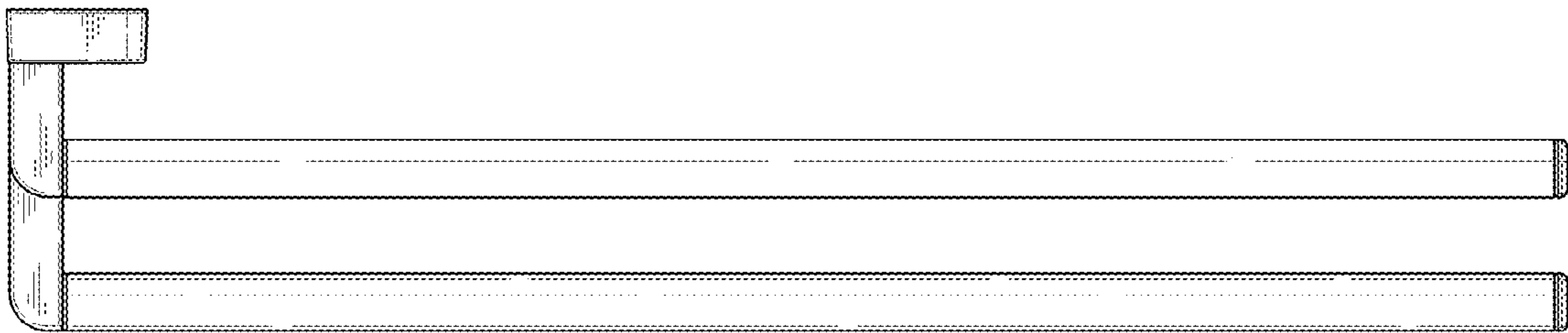


FIG. 7

