



US00D766613S

(12) **United States Design Patent**
Citterio

(10) **Patent No.:** **US D766,613 S**

(45) **Date of Patent:** **** Sep. 20, 2016**

(54) **TOILET TISSUE HOLDER**

(71) Applicant: **HANSGROHE SE**, Schiltach (DE)

(72) Inventor: **Antonio Citterio**, Milan (IT)

(73) Assignee: **Hansgrohe SE**, Schiltach (DE)

(**) Term: **14 Years**

(21) Appl. No.: **29/491,905**

(22) Filed: **May 27, 2014**

(30) **Foreign Application Priority Data**

Dec. 3, 2013 (EM) 001391742-0010

(51) **LOC (10) Cl.** **06-04**

(52) **U.S. Cl.**
USPC **D6/523**

(58) **Field of Classification Search**
USPC D6/518-523, 546, 549; 206/389;
242/520, 555, 595, 597; 211/123, 124;
248/309.1, 309.2
CPC A47K 10/12; A47K 10/38; A47K 10/22;
A47K 10/40; A47K 2010/3233; A47K
2010/3863
See application file for complete search history.

(56) **References Cited**

U.S. PATENT DOCUMENTS

D374,585 S * 10/1996 Moon D6/523
D511,263 S * 11/2005 Ferrer Beltran D6/523
D520,279 S * 5/2006 Ferrer Beltran D6/523
D520,280 S * 5/2006 Ferrer Beltran D6/523

D520,786 S * 5/2006 Ferrer Beltran D6/523
D520,787 S * 5/2006 Ferrer Beltran D6/523
D521,288 S * 5/2006 Barry D6/523
D541,089 S 4/2007 Massaud
D617,592 S 6/2010 Urquiola

FOREIGN PATENT DOCUMENTS

EM 000449194-0003 12/2005
EM 001200117-0002 3/2010
EM 001318273-0018 3/2012
EM 001318273-0022 3/2012

* cited by examiner

Primary Examiner — Wan Laymon

Assistant Examiner — Mark Booker

(74) *Attorney, Agent, or Firm* — Lora J. Graentzdoerffer

(57) **CLAIM**

The ornamental design for a toilet tissue holder, as shown and described.

DESCRIPTION

FIG. 1 is a perspective view of a toilet tissue holder showing my design;
FIG. 2 is a front elevational view;
FIG. 3 is a rear elevational view;
FIG. 4 is a left side elevational view;
FIG. 5 is a right side elevational view;
FIG. 6 is a top plan view; and,
FIG. 7 is a bottom plan view.

The broken lines in the drawings represent unclaimed portions of the design and form no part of the claimed design.

1 Claim, 7 Drawing Sheets

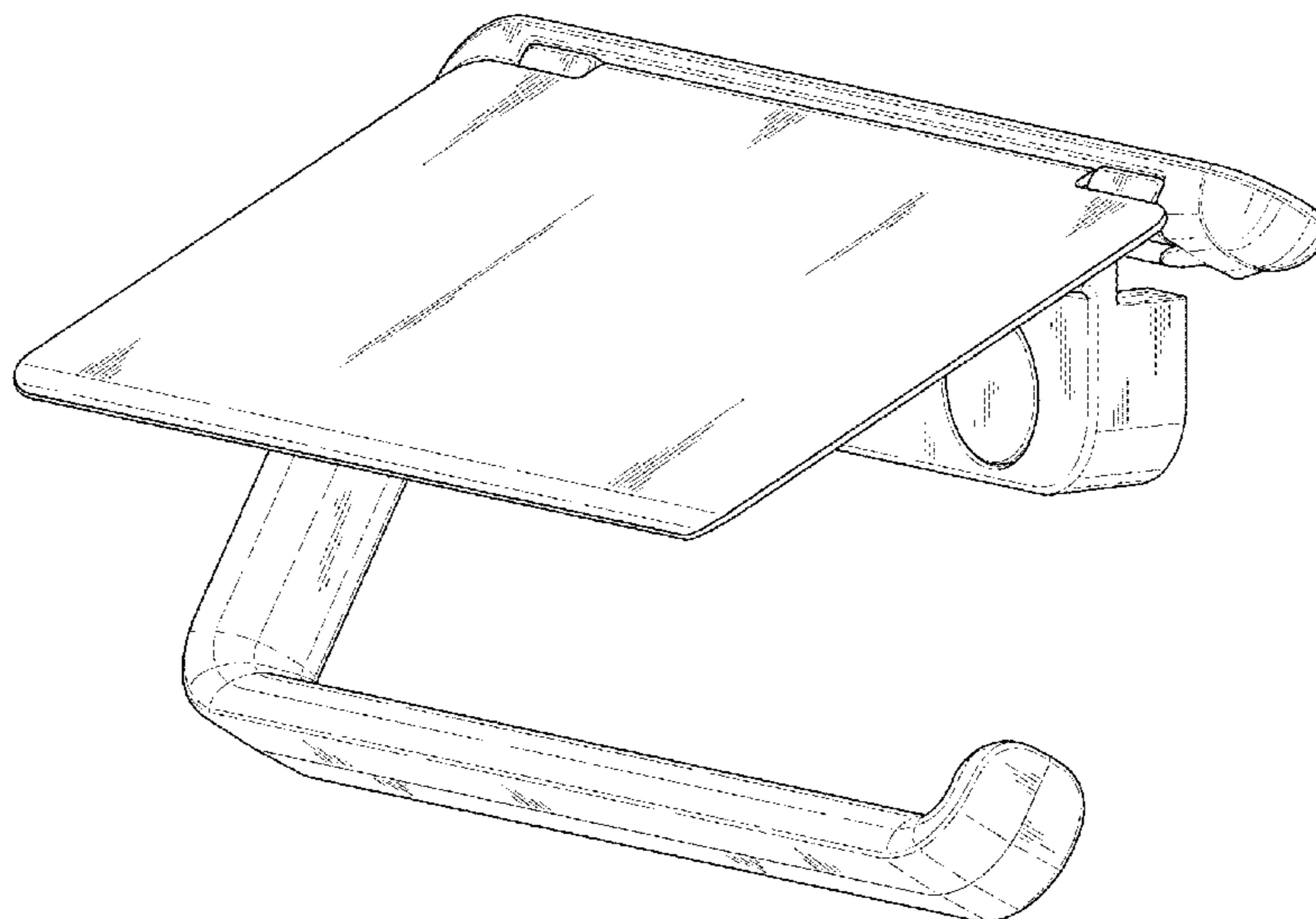


FIG. 1

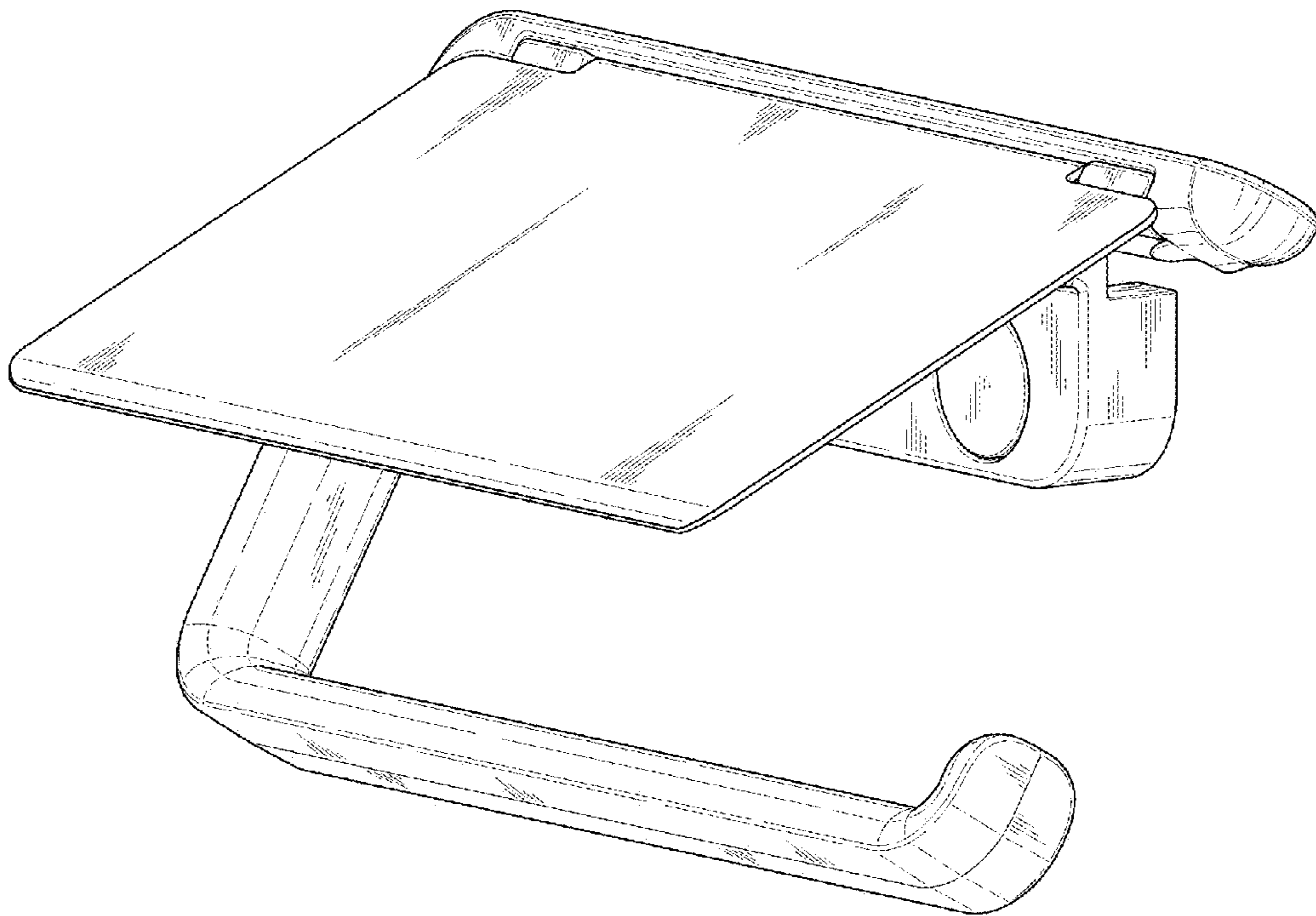


FIG. 2

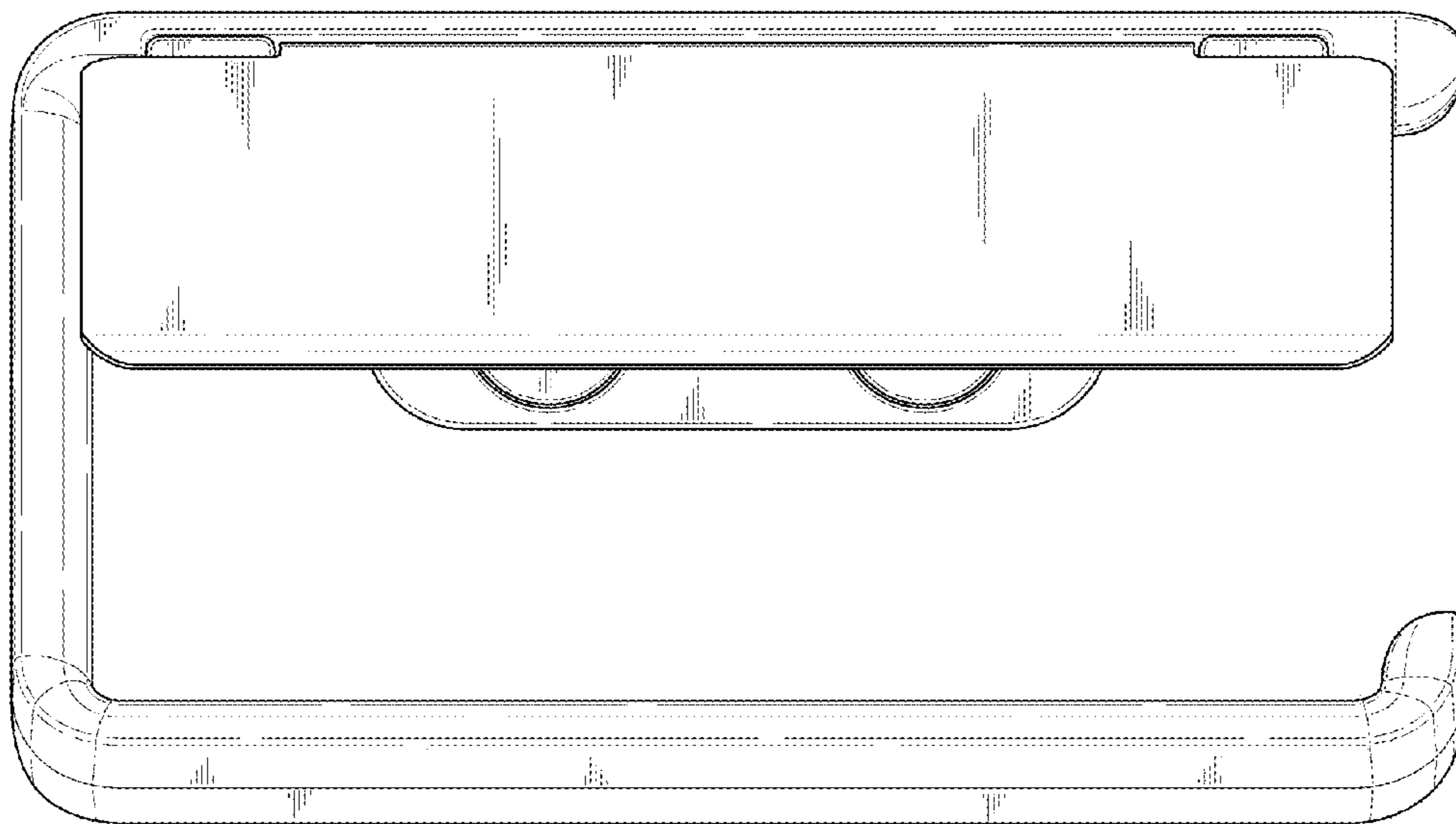


FIG. 3

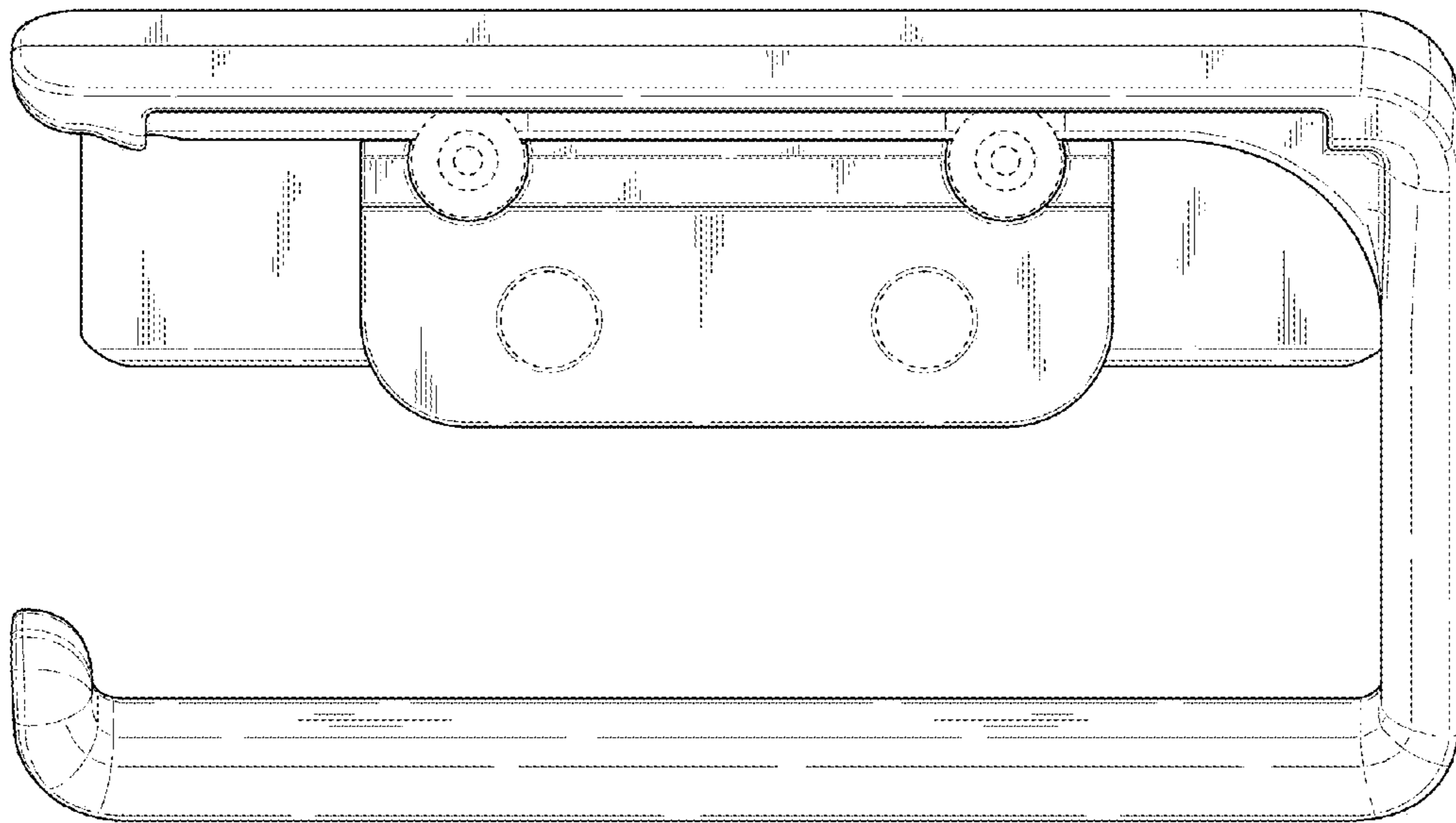


FIG. 4

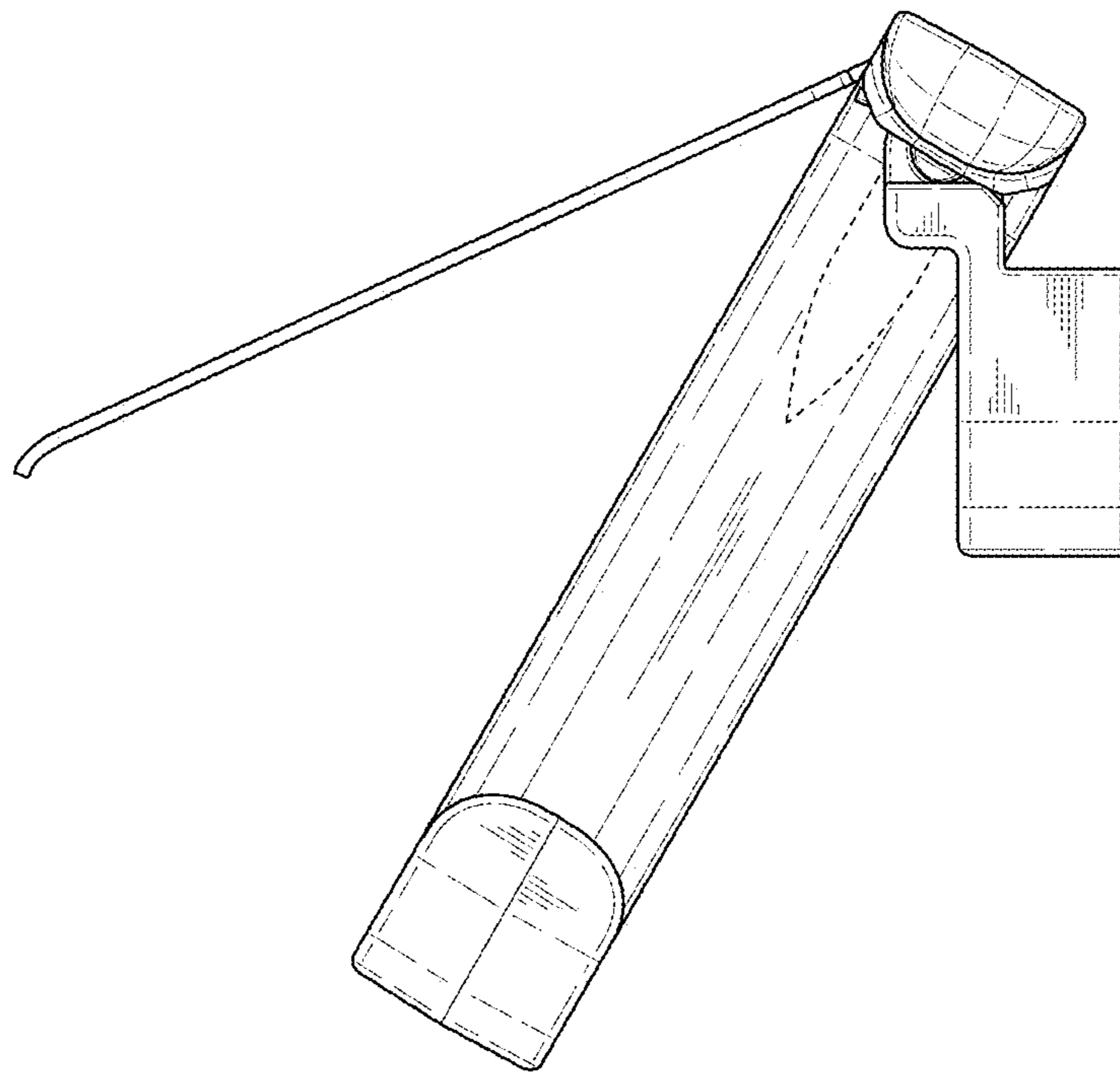


FIG. 5

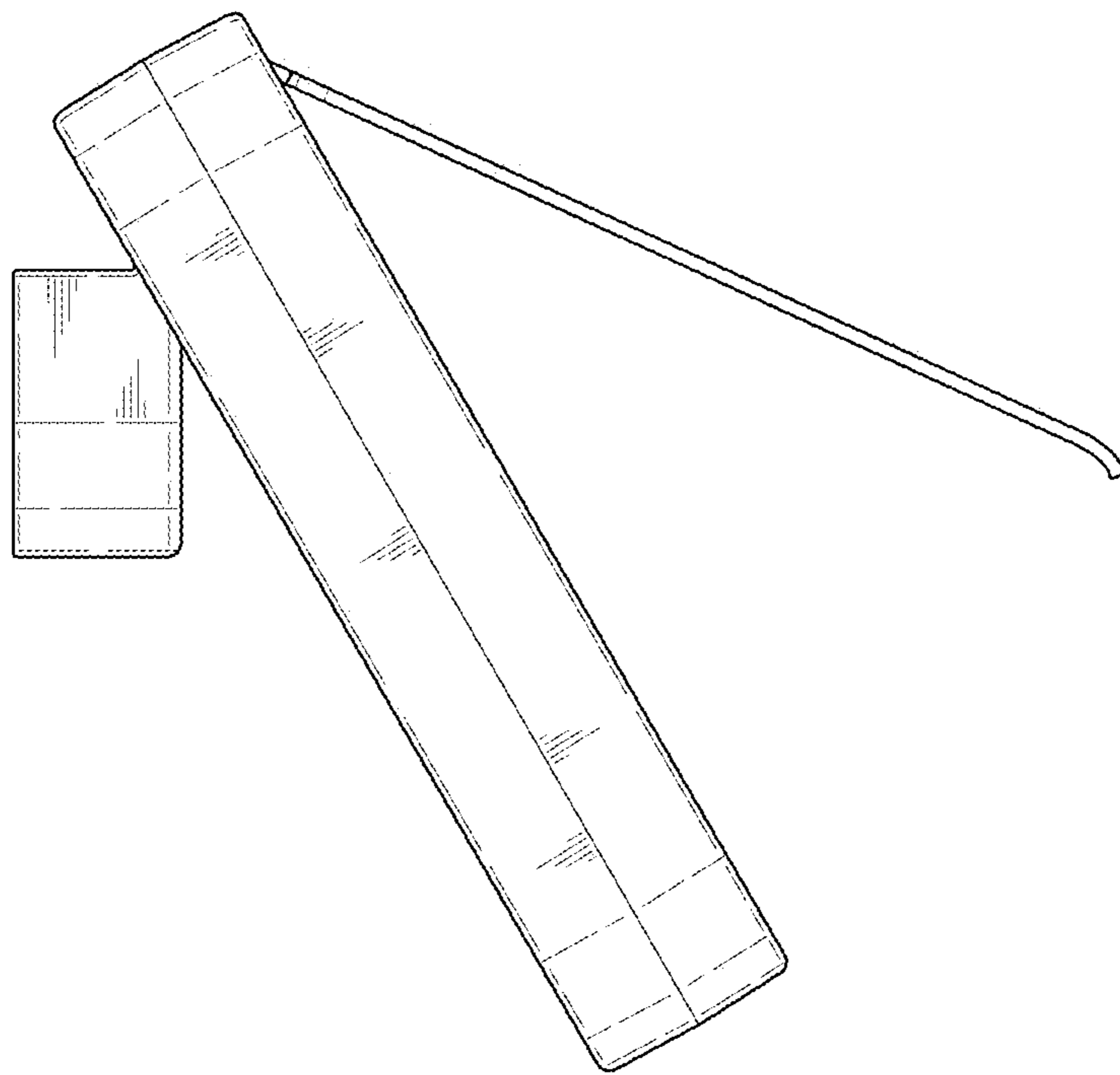


FIG. 6

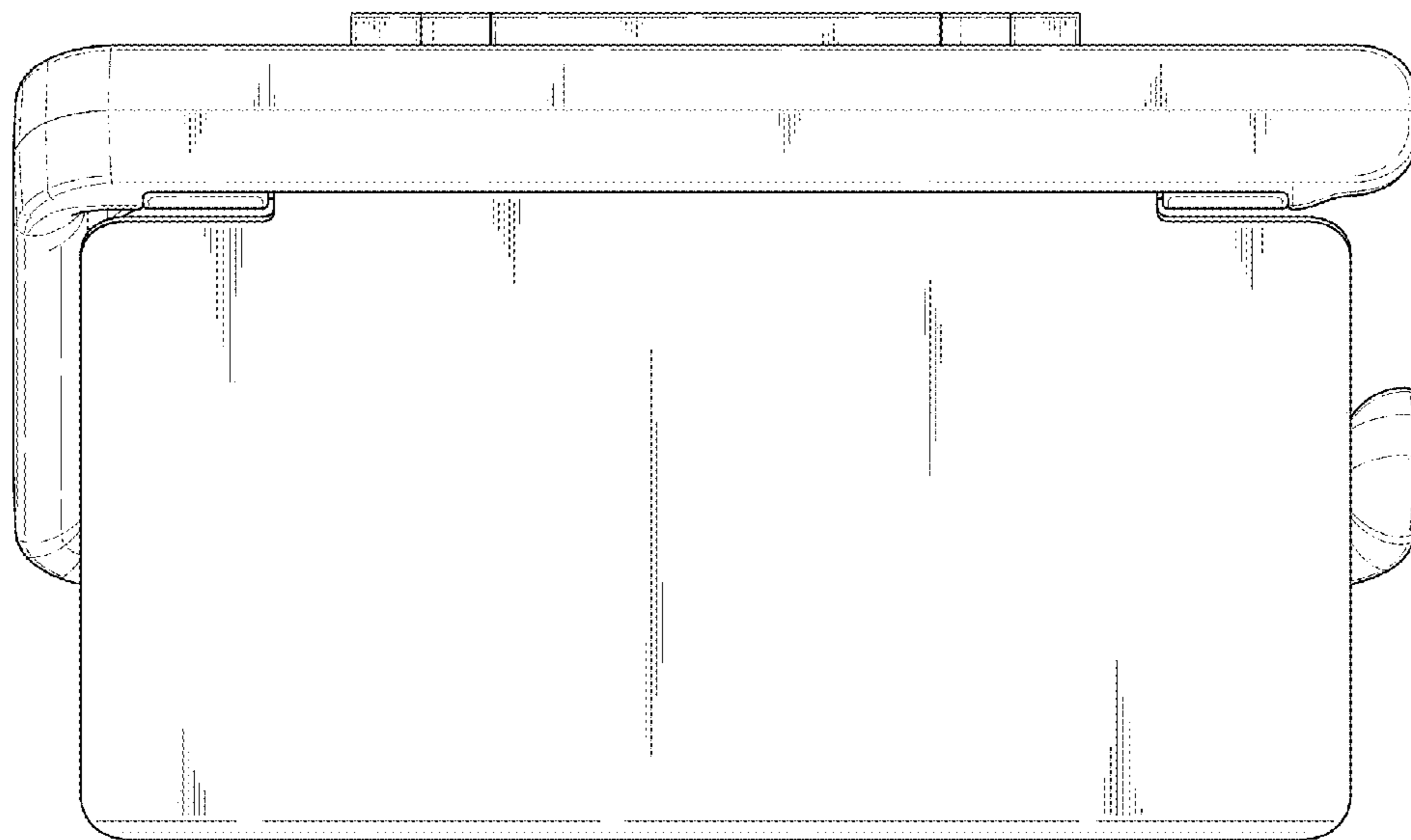


FIG. 7

